



US00D447567B1

(12) **United States Design Patent** (10) **Patent No.:** **US D447,567 S**
Murphy et al. (45) **Date of Patent:** **** Sep. 4, 2001**

(54) **CART FOR AN OPHTHALMIC SURGICAL CONSOLE**

(75) Inventors: **Brian G. Murphy**, Mission Viejo; **Leonard A. Rodriguez**, Hacienda Heights; **Ken Shelton**, Irvine; **Scott L. Conway**, Yorba Linda; **Earl F. Robinson**, Lake Forest, all of CA (US)

(73) Assignee: **Alcon Universal Ltd.** (CH)

(**) Term: **14 Years**

(21) Appl. No.: **29/114,834**

(22) Filed: **Dec. 2, 1999**

(51) **LOC (7) Cl.** **24-01**

(52) **U.S. Cl.** **D24/172**

(58) **Field of Search** D24/172, 185; 606/171, 167, 4, 5, 6, 10, 19

(56) **References Cited**

U.S. PATENT DOCUMENTS

D. 280,762	9/1985	Le Celle et al.	D24/17
D. 285,484	9/1986	La Celle et al.	D24/1.1
D. 286,325	10/1986	La Celle et al.	D24/1.1
D. 300,241	3/1989	La Celle et al.	D24/1.1
D. 338,272	8/1993	Cunagin et al.	D24/167
D. 352,106	11/1994	Fanney et al.	D24/185
D. 375,553	11/1996	Creed et al.	D24/111
D. 376,207	12/1996	Buczek et al.	D24/172
D. 380,550	7/1997	Dennewill et al.	D24/185
D. 410,544 *	6/1999	Metzler et al.	D24/172
4,625,731	12/1986	Quedens et al.	128/660
4,793,345	12/1988	Lehmer	128/303.13
4,837,857	6/1989	Scheller et al.	455/617
5,800,396	9/1998	Fanney et al.	604/151
5,873,885	2/1999	Weidenbenner	606/171
6,022,088	2/2000	Metzler	312/209

FOREIGN PATENT DOCUMENTS

0 424 686 A1 5/1991 (EP) .

OTHER PUBLICATIONS

CooperVision Surgical brochure for the Master, Series Ten Thousand™, Copyright 1986, 8 pages.
 CooperVision Surgical brochure for the KCP™ Phaco-Emulsifier®, Copyright 1986, 2 pages.
 CooperVision Surgical brochure for the CooperVision System VI™, Copyright 1986, 2 pages.
 CooperVision Surgical brochure for the Series Ten Thousand® Ocutome® Vitreoretinal Systems, Copyright 1988, 2 pages.
 CooperVision Surgical brochure for the Cavitron/Kelman® Model 6500 E.I.S.™ and the Model 7500 I/A System III™ with AVIT™, Copyright 1983, 6 pages.
 CooperVision Surgical brochure for the Ocutome® Model 8800/Fragmatome® Model 8300, Copyright 1986, 2 pages.
 CooperVision Surgical brochure for the Cavitron/Kelman® Phaco-Emulsifier® Aspirator, Model 9001, Copyright 1985, 2 pages.

(List continued on next page.)

Primary Examiner—Stella Reid

(74) *Attorney, Agent, or Firm*—W. David Lee

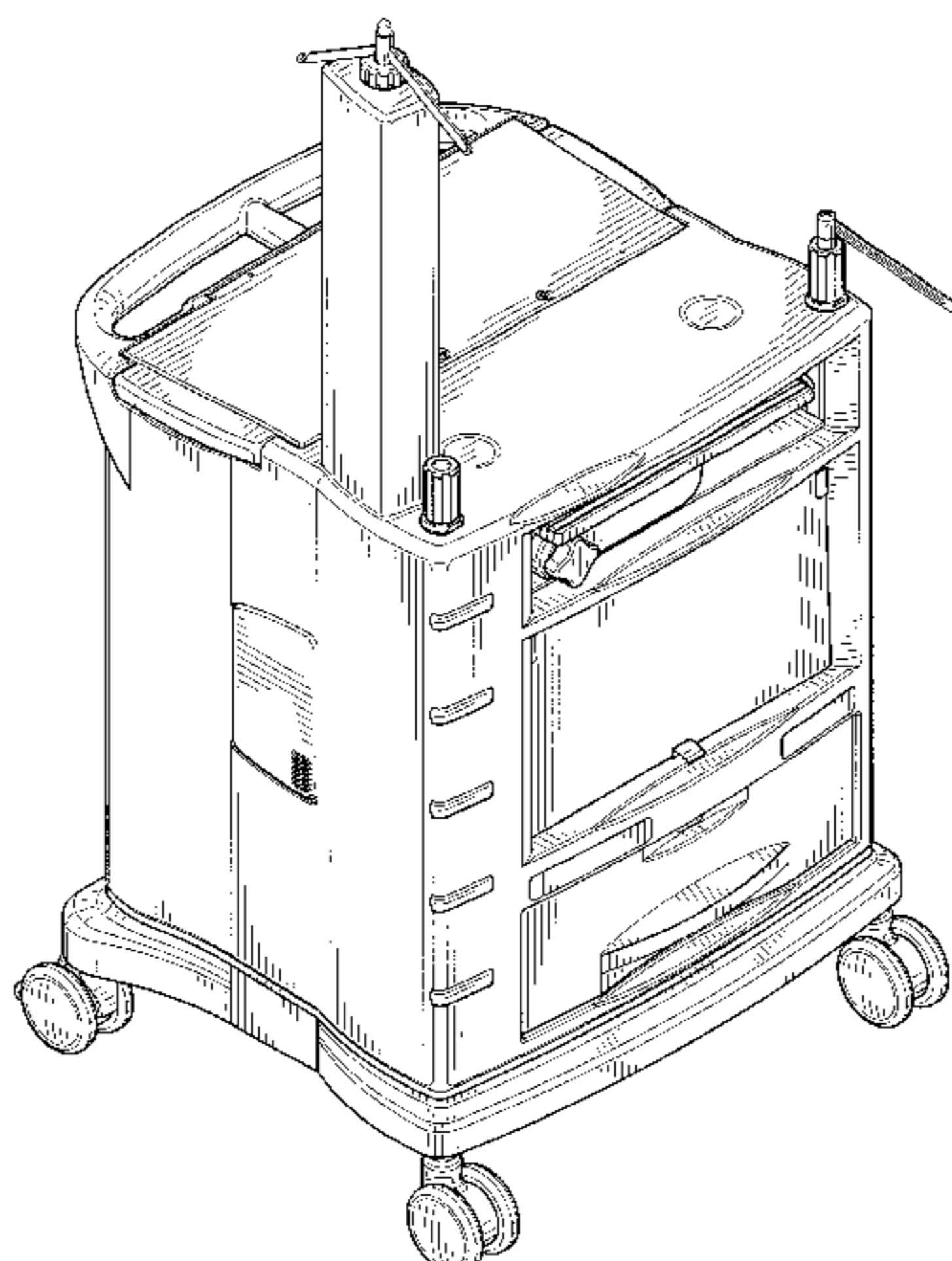
(57) **CLAIM**

The ornamental design for a cart for an ophthalmic surgical console, as shown and described.

DESCRIPTION

FIG. 1 is a perspective view showing the top, front, and left side views of our new design for a cart for an ophthalmic surgical console;
 FIG. 2 is a perspective view showing the top, rear, and right side views of the cart for an ophthalmic surgical console;
 FIG. 3 is a perspective view similar to FIG. 1 with a telescoping swing arm of a tool tray in an extended position and a work table extended from the left side of the cart; and,
 FIG. 4 is a perspective view similar to FIG. 2 with the telescoping swing arm of the tool tray in an extended position and the work table extended from the right side of the cart.

1 Claim, 4 Drawing Sheets



OTHER PUBLICATIONS

CooperVision Surgical brochure for the Cavitron/Kelman® Phaco-Emulsifier® Aspirator Model 8001, Copyright 1985, 2 pages.

“Operation Manual for Storz Premiere Microsurgical Systems,” 1988, 84 pages.

“The Grieshaber Custom Mobile Equipment Stand”, Grieshaber Switzerland, Feb. 1997, 1 page.

Allergan SOVEREIGN™ Advertisement, *Ocular Surgery News*, Oct. 15, 1999, p. 103.

CooperVision Surgical—Systems and Supplies, Copyright 1986, Section 1, “Anterior Segment Systems and Accessories”, pp. 1.2 and 1.1.

“The Grieshaber Mobile Equipment Stand”, Grieshaber Switzerland, Feb. 1997, 1 page.

* cited by examiner

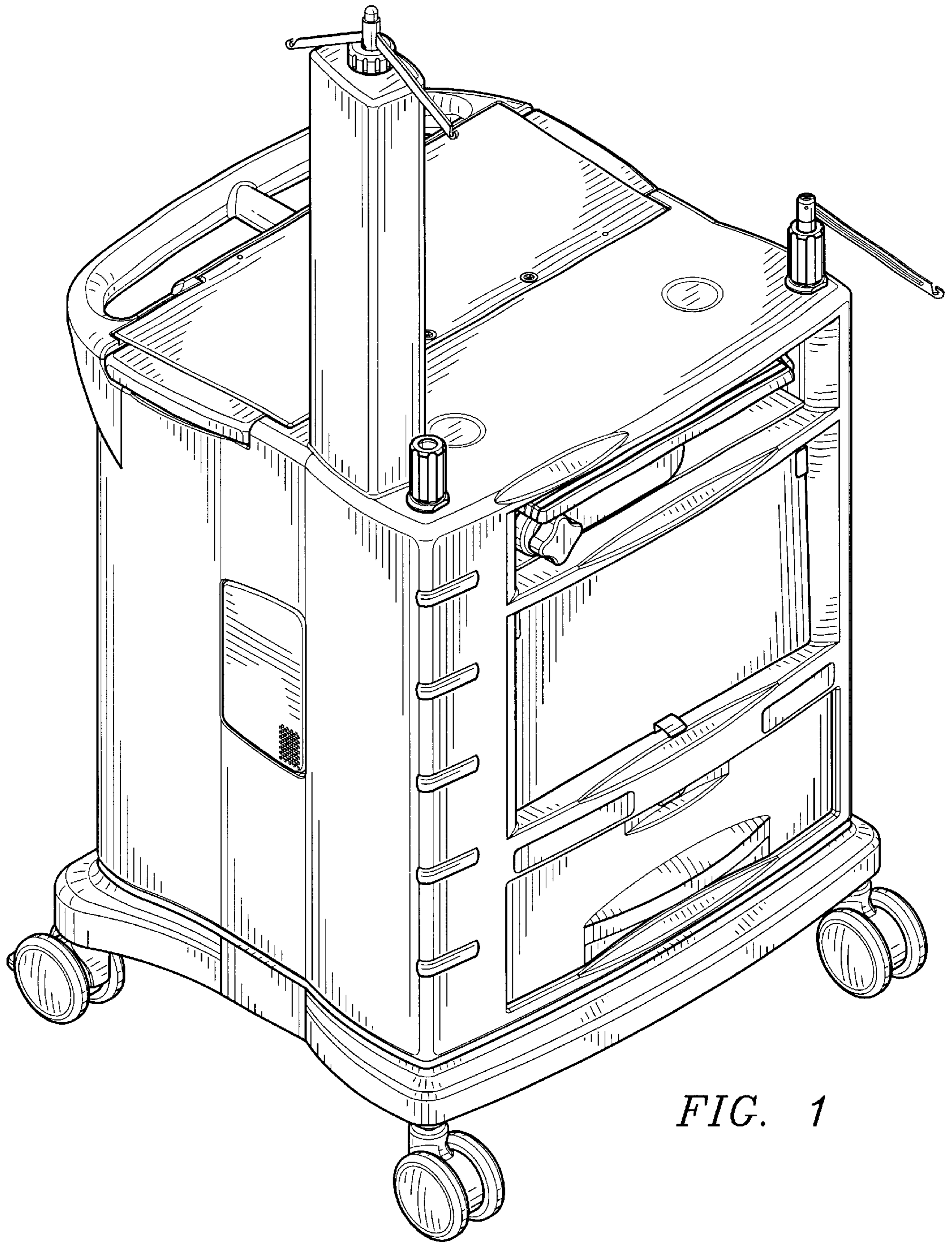


FIG. 1

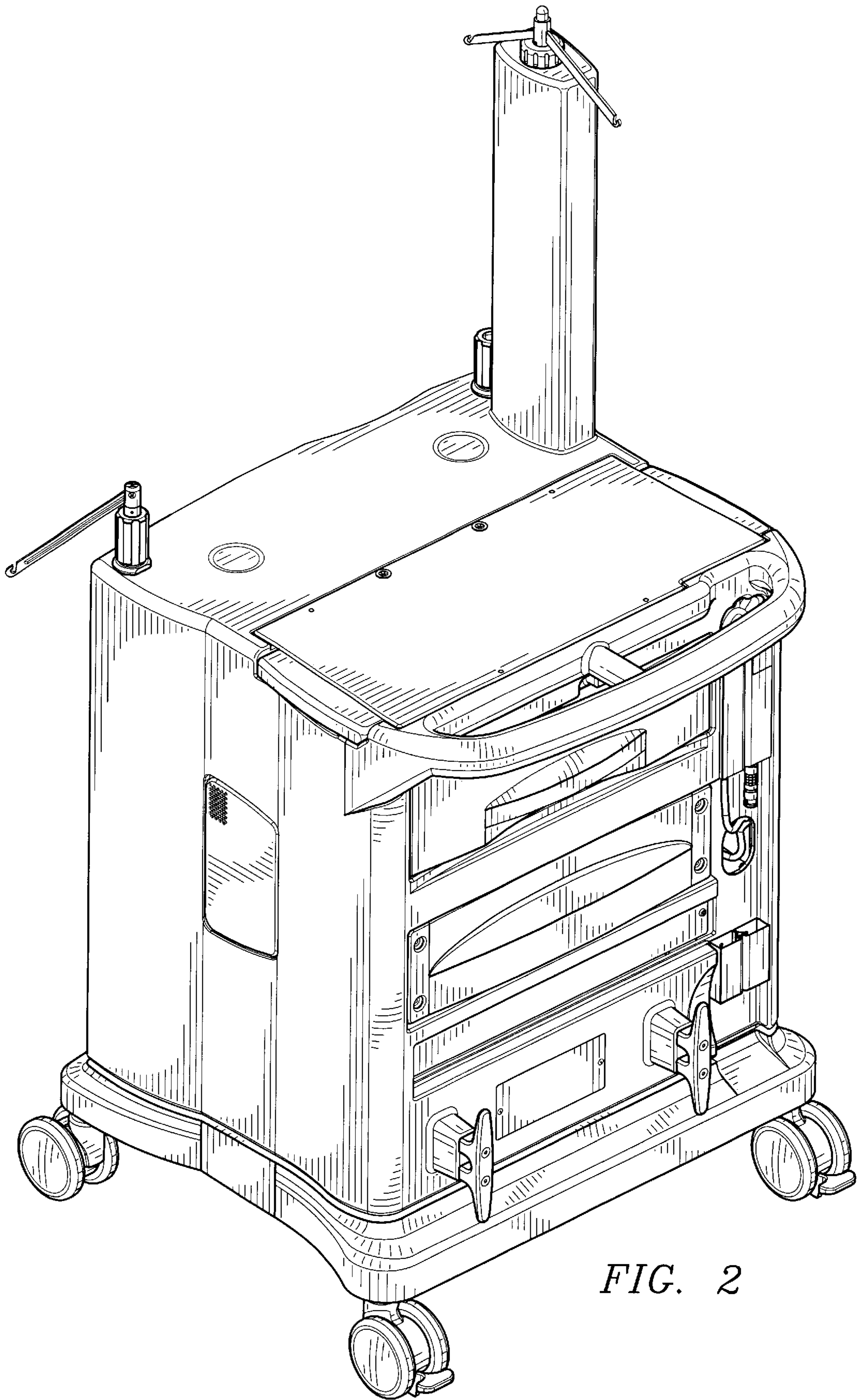


FIG. 2

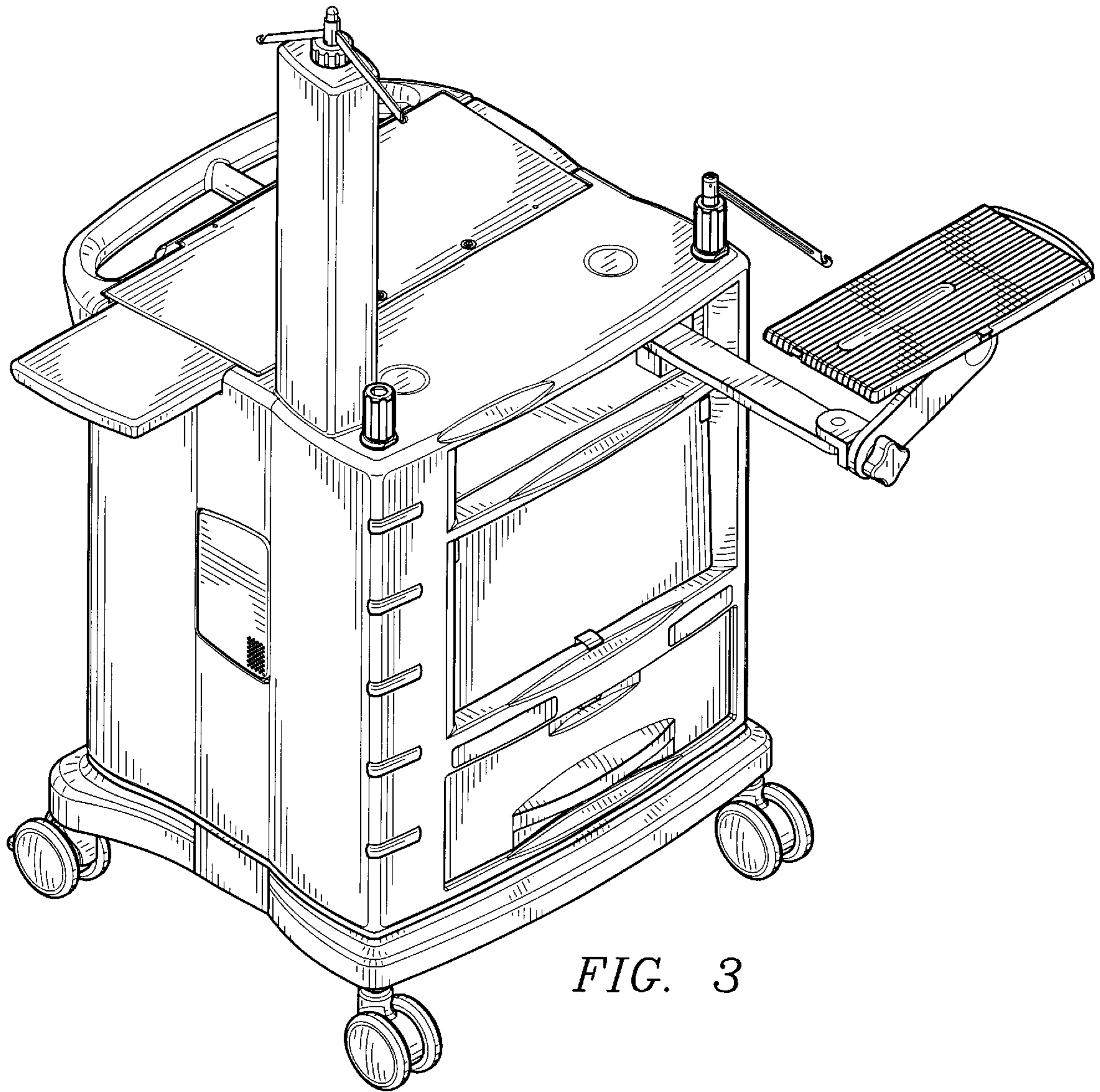


FIG. 3

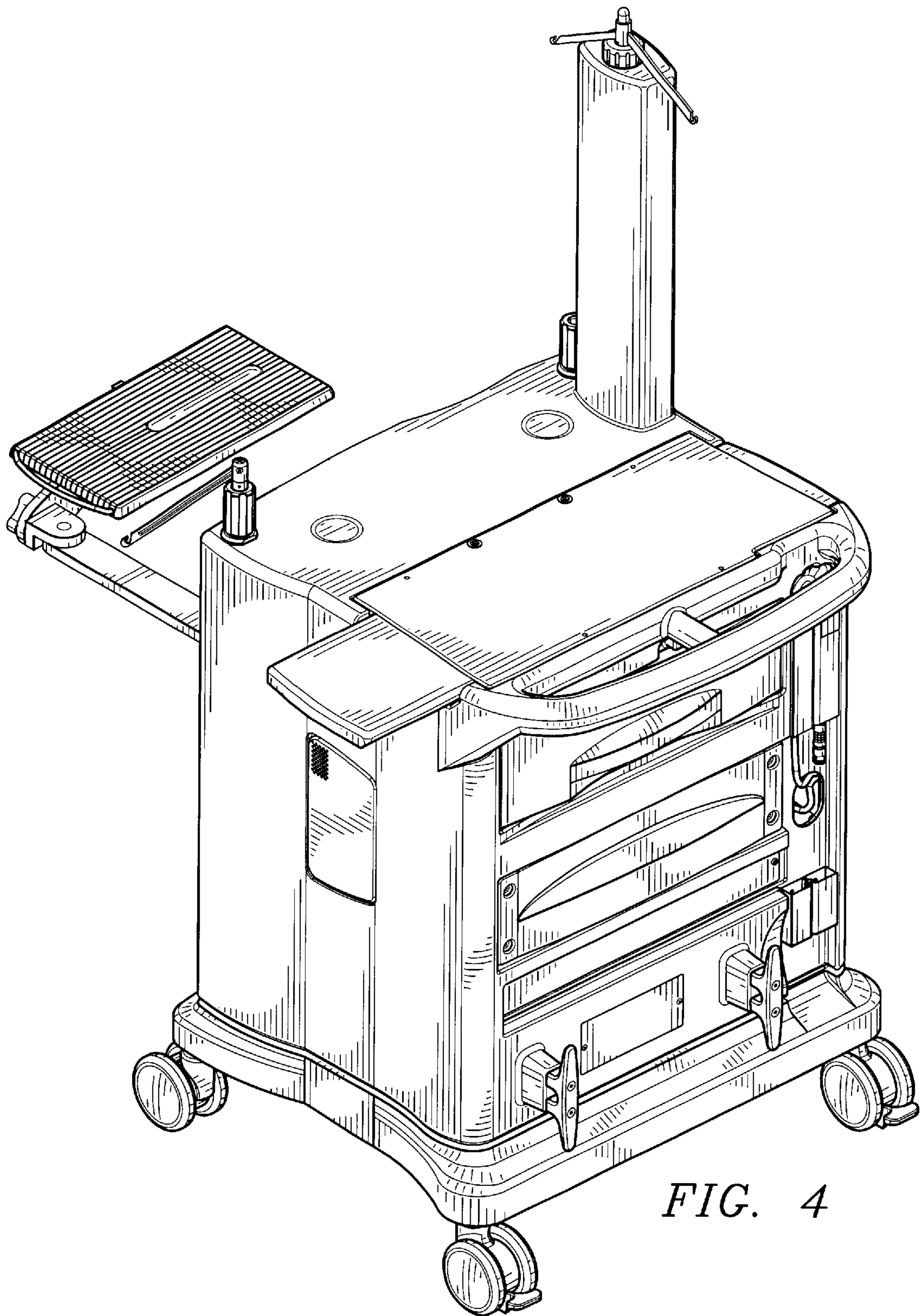


FIG. 4