



US00D447562B1

(12) **United States Design Patent**
Stein

(10) **Patent No.:** **US D447,562 S**

(45) **Date of Patent:** **** Sep. 4, 2001**

(54) **COMPRESSIBLE PELVIC FLOOR MUSCLE EXERCISER**

5,865,715 * 2/1999 Wallick 482/124
6,165,108 * 12/2000 Ralston 482/91

(76) Inventor: **Daniel S. Stein**, P.O. Box 49072, St. Petersburg, FL (US) 33743

(**) Term: **14 Years**

(21) Appl. No.: **29/123,034**

(22) Filed: **May 9, 2000**

(51) **LOC (7) Cl.** **24-03**

(52) **U.S. Cl.** **D24/135**

(58) **Field of Search** D24/135, 133,
D24/188, 200; 482/105, 91, 148, 124, 149;
607/77; 600/38, 39, 41, 40, 591, 197, 192,
191

(56) **References Cited**

U.S. PATENT DOCUMENTS

D. 414,871	*	10/1999	Myers et al.	D24/187
3,675,642	*	7/1972	Lord	606/197
4,241,912		12/1980	Mercer et al.	128/341
4,574,791	*	3/1986	Mitchener	600/38
4,583,542		4/1986	Boyd	128/341
5,213,577	*	5/1993	Kratzer	604/101
5,554,092		9/1996	Harpstead et al.	482/148

OTHER PUBLICATIONS

American Sex Machines The Hidden History of Sex at The U.S. Patent Office (Author: Hoag Levins)© 96.

* cited by examiner

Primary Examiner—Ian Simmons

(74) *Attorney, Agent, or Firm*—Pettis & Van Royen, P.A.

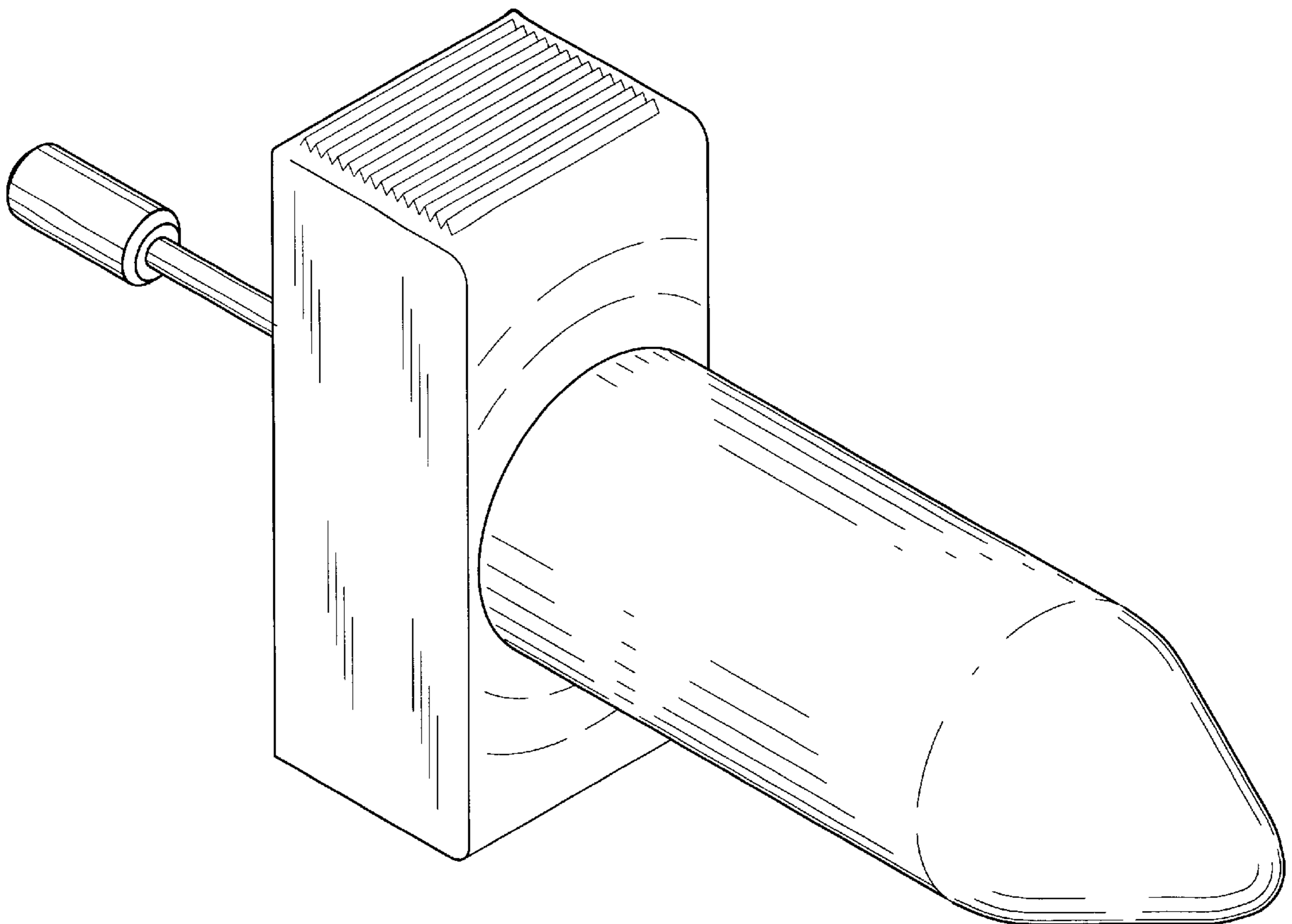
(57) **CLAIM**

The ornamental design for a compressible pelvic floor muscle exerciser, as shown and described.

DESCRIPTION

FIG. 1 is an isometric view of the compressible pelvic floor muscle exerciser showing my new design;
FIG. 2 is front elevational view thereof, the rear elevational view being a mirror image thereof;
FIG. 3 is a top plan view thereof, the bottom plan view being substantially identical thereto;
FIG. 4 is a right side elevational view thereof; and,
FIG. 5 is a left side elevational view thereof.

1 Claim, 2 Drawing Sheets



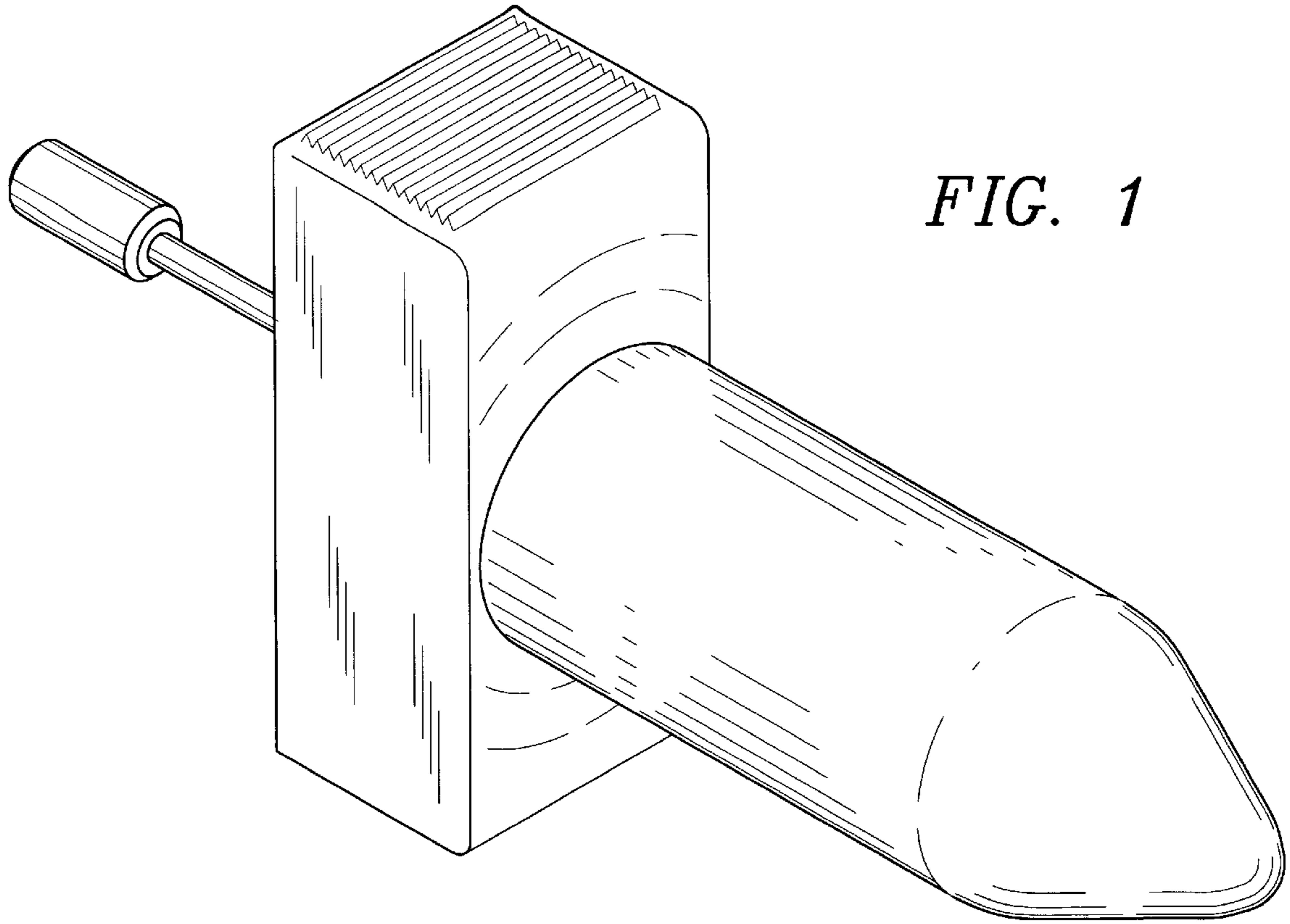


FIG. 1

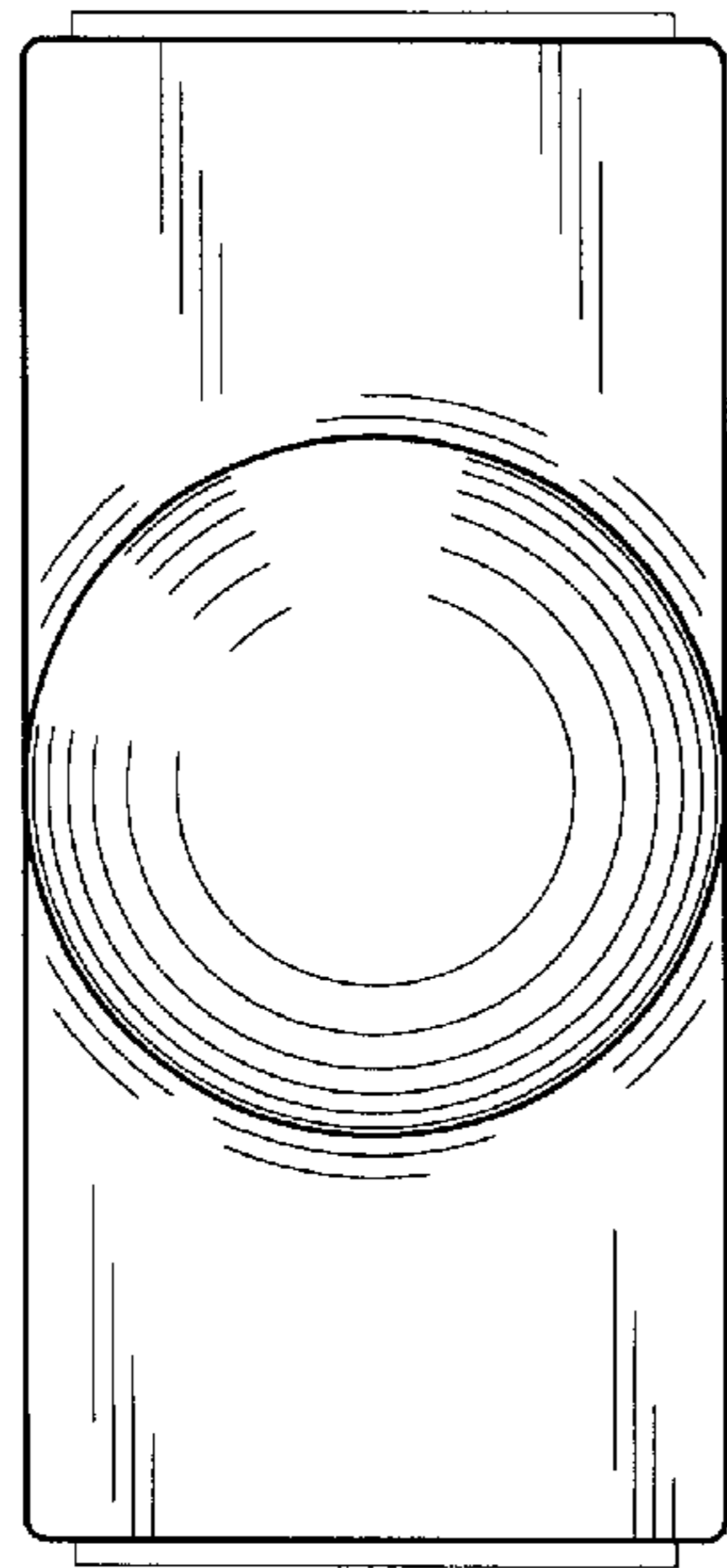


FIG. 4

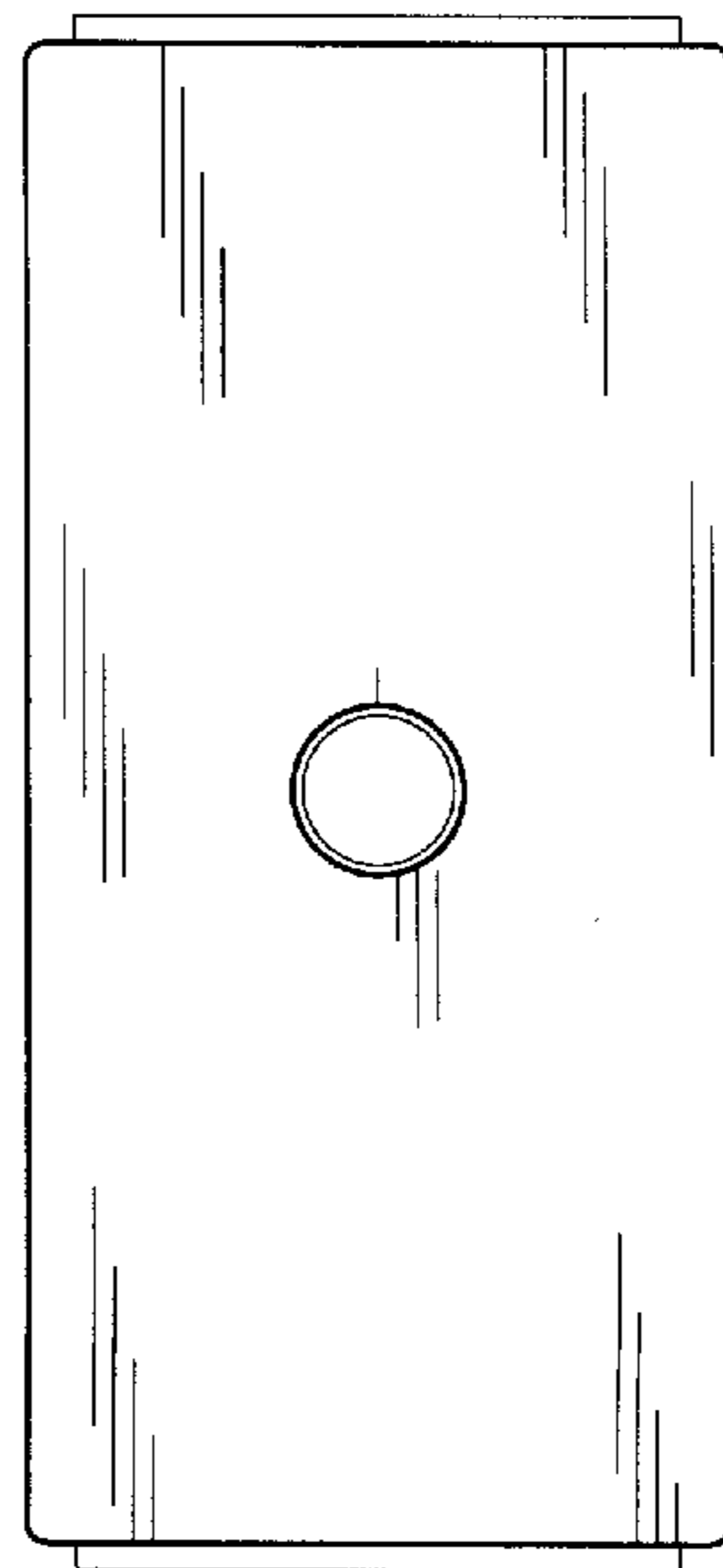


FIG. 5

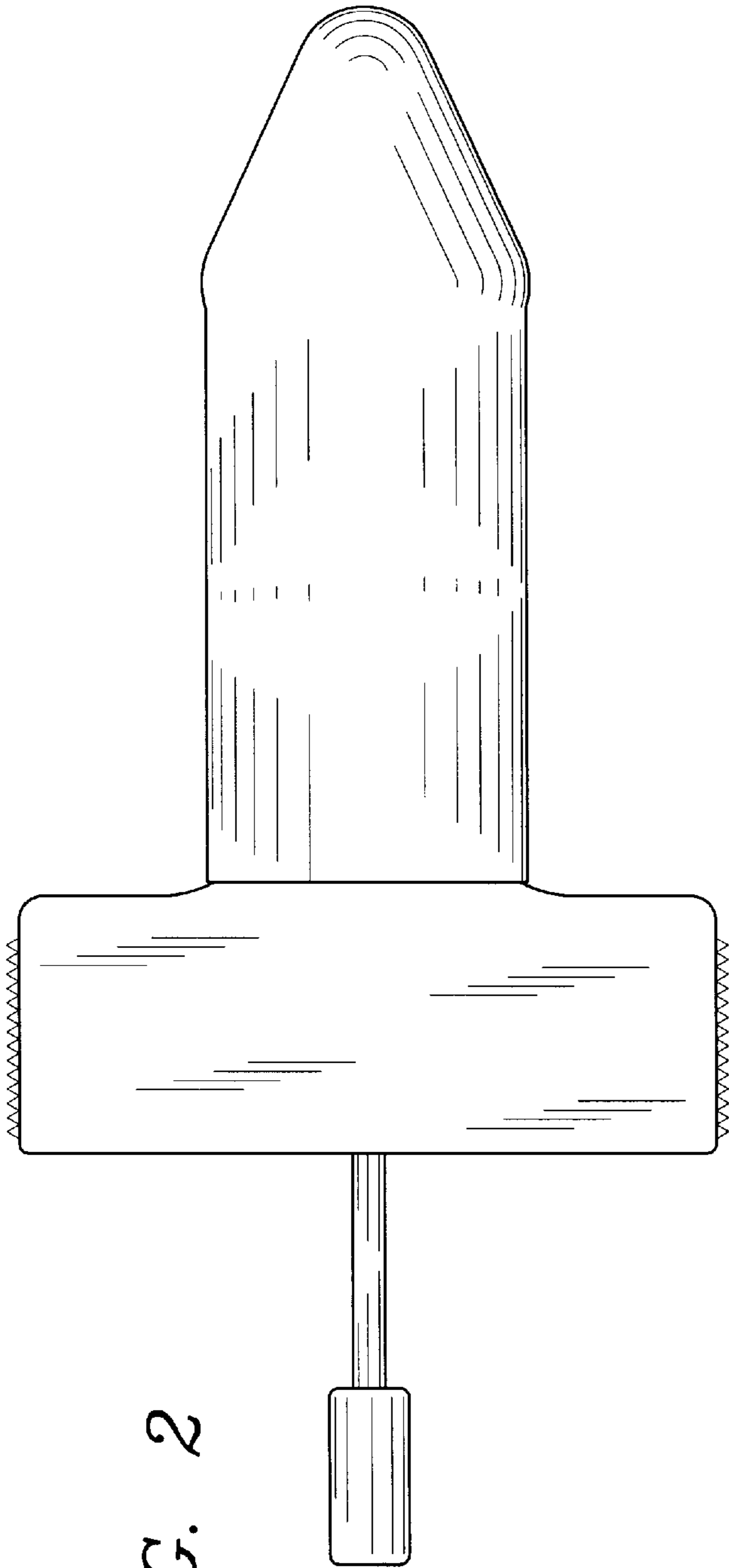


FIG. 2

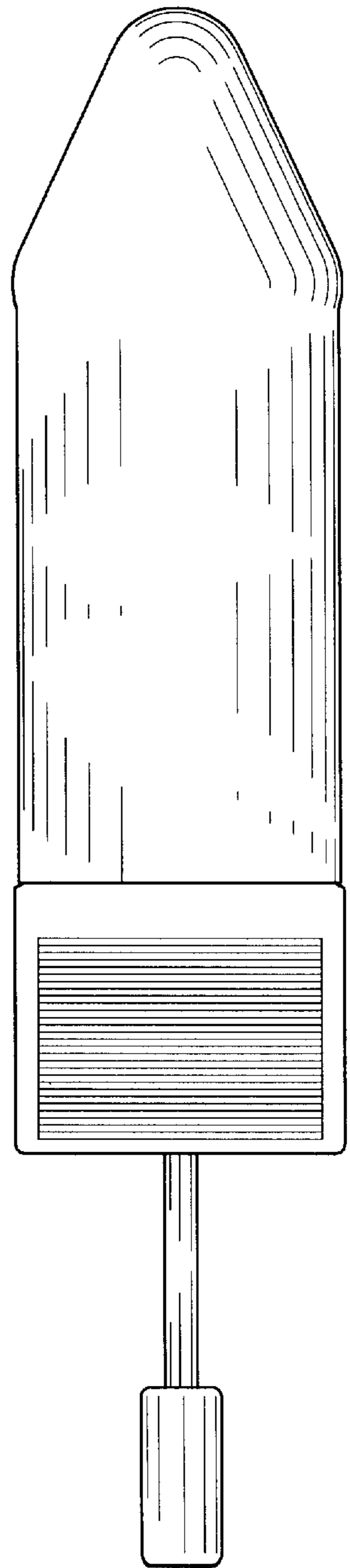


FIG. 3