



US00D447561B1

(12) **United States Design Patent**  
**Rudzena et al.**

(10) **Patent No.: US D447,561 S**

(45) **Date of Patent: \*\* \*Sep. 4, 2001**

(54) **COMBINED PHARMACEUTICAL  
CONTAINER AND CAP**

(75) Inventors: **William L. Rudzena**, McHenry; **Peter Smigura**, Winthrop Harbor, both of IL (US); **Oliver Vogt**, Kenosha, WI (US)

(73) Assignee: **Abbott Laboratories**, Abbott Park, IL (US)

(\* ) Notice: This patent is subject to a terminal disclaimer.

(\*\* ) Term: **14 Years**

(21) Appl. No.: **29/113,658**

(22) Filed: **Nov. 9, 1999**

(51) **LOC (7) Cl.** ..... **24-04**

(52) **U.S. Cl.** ..... **D24/121; D9/516**

(58) **Field of Search** ..... D24/100, 110, D24/115, 117, 121, 127, 129, 224; D9/500, 503, 505, 337, 338, 551, 434, 435, 444, 445, 449; 215/235, 236, 237, 295, 355, 356, 200, DIG. 3; 604/212, 294; 222/420, 421

(56) **References Cited**

**U.S. PATENT DOCUMENTS**

- D. 199,606 11/1964 Waterman .
- D. 259,213 5/1981 Pagels .
- D. 362,808 10/1995 Scott et al. .

- D. 369,211 4/1996 Weiler .
- D. 379,151 \* 5/1997 Stevens ..... D9/503
- D. 384,888 \* 10/1997 Diekhoff ..... D9/500
- D. 416,793 \* 11/1999 Faughey et al. .... D9/338
- D. 421,495 \* 3/2000 Hellstrom et al. .... D24/121
- D. 421,496 \* 3/2000 Hellstrom et al. .... D24/121
- D. 425,195 \* 5/2000 Hellstrom et al. .... D24/115
- D. 431,648 \* 10/2000 Jansen et al. .... D24/121
- 4,890,753 1/1990 Duryee et al. .
- 5,088,996 \* 2/1992 Kopfer et al. .... 215/DIG. 3
- 5,165,546 11/1992 Jaeger et al. .
- 5,782,345 7/1998 Guasch et al. .
- 5,890,610 \* 4/1999 Jansen et al. .... 215/DIG. 3
- 6,003,702 \* 12/1999 Grimard et al. .... 215/DIG. 3

\* cited by examiner

*Primary Examiner*—Robin V. Taylor

(74) *Attorney, Agent, or Firm*—Daniel J. Hulseberg

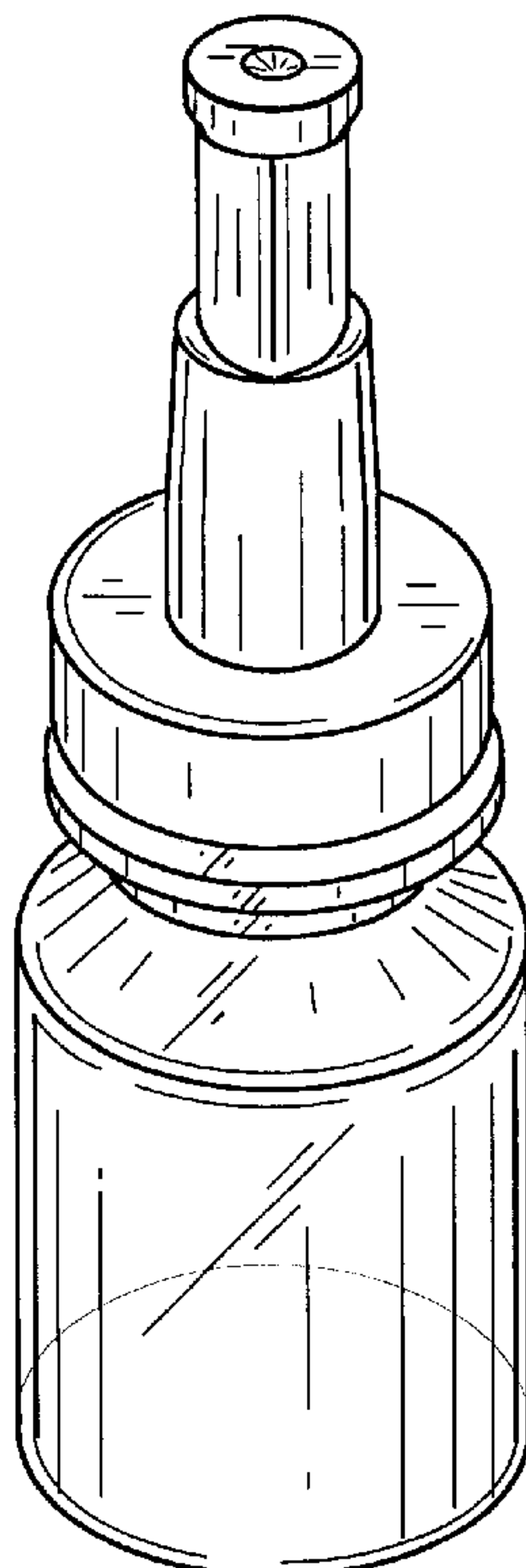
(57) **CLAIM**

The ornamental design for a combined pharmaceutical container and cap, as shown and described.

**DESCRIPTION**

FIG. 1 is a perspective view showing a combined pharmaceutical container and cap of our new design;  
 FIG. 2 is a left side elevational view thereof, the right side elevational view being identical thereto;  
 FIG. 3 is a front elevational view thereof, the rear elevational view being identical thereto;  
 FIG. 4 is a top plan view thereof; and,  
 FIG. 5 is a bottom plan view thereof.

**1 Claim, 1 Drawing Sheet**



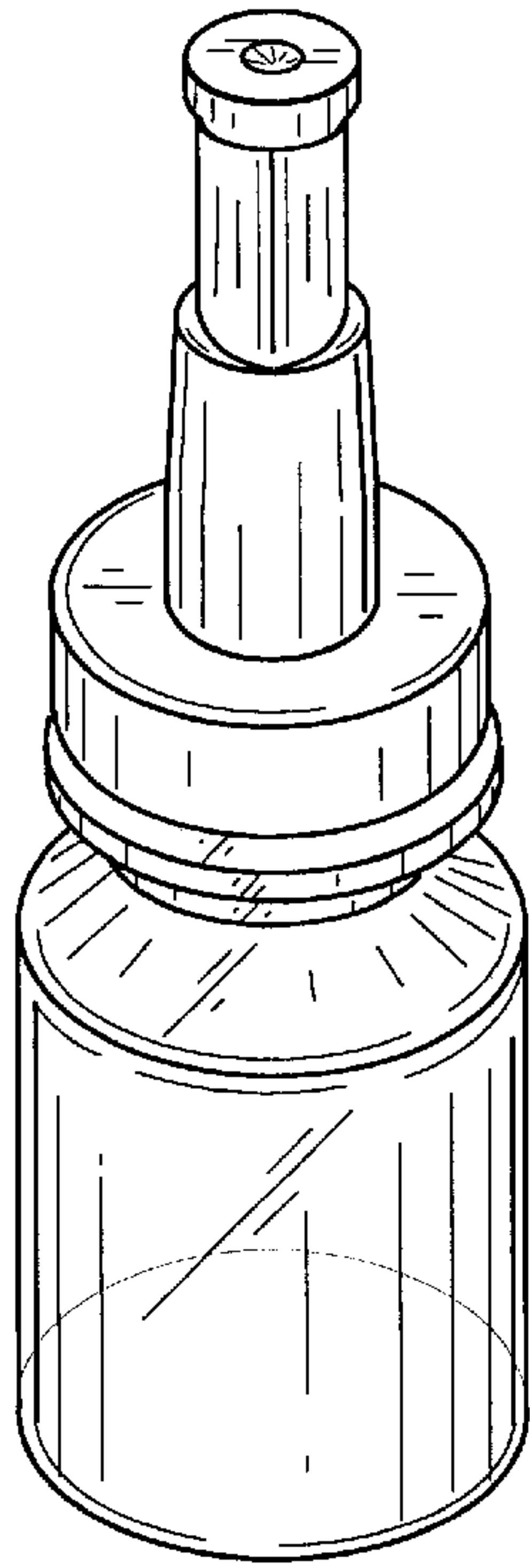


FIG. 1

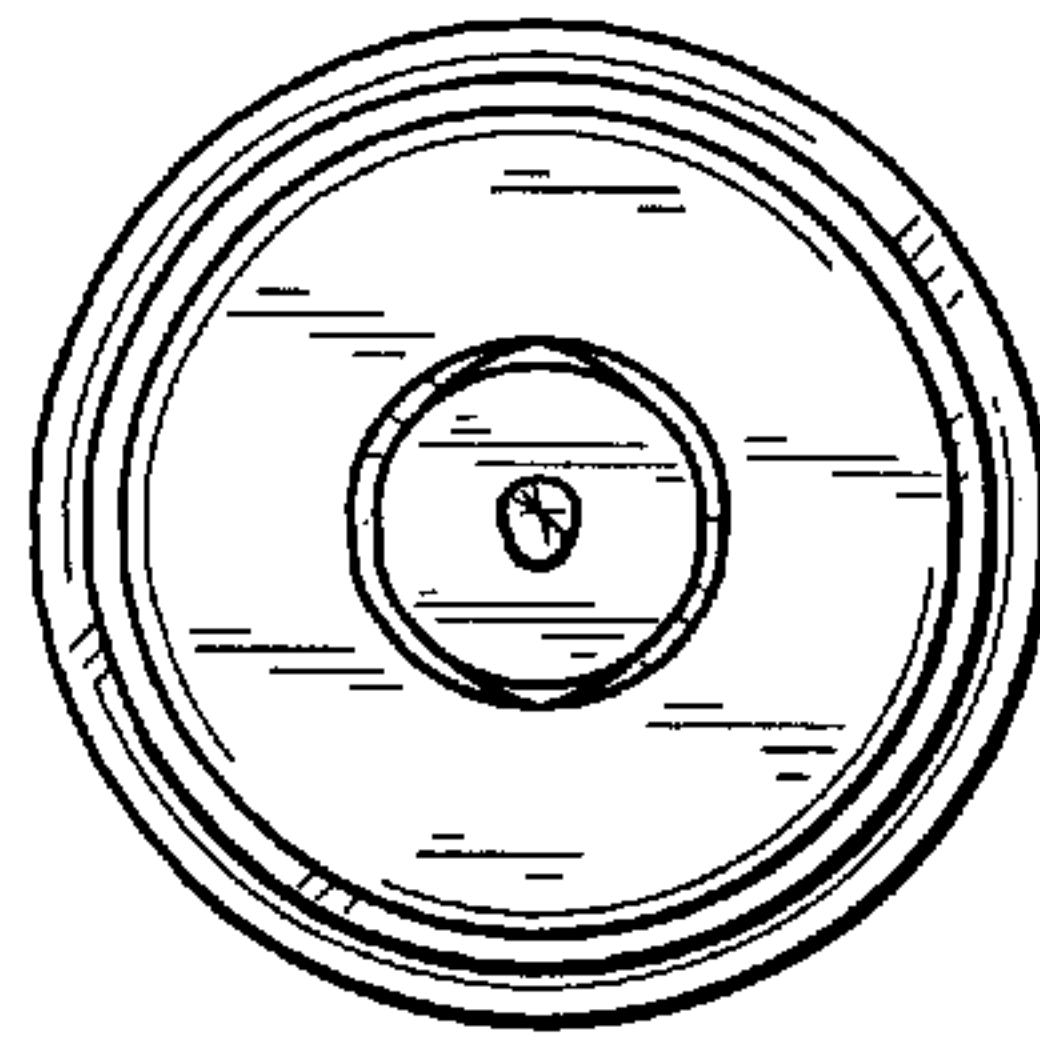


FIG. 4

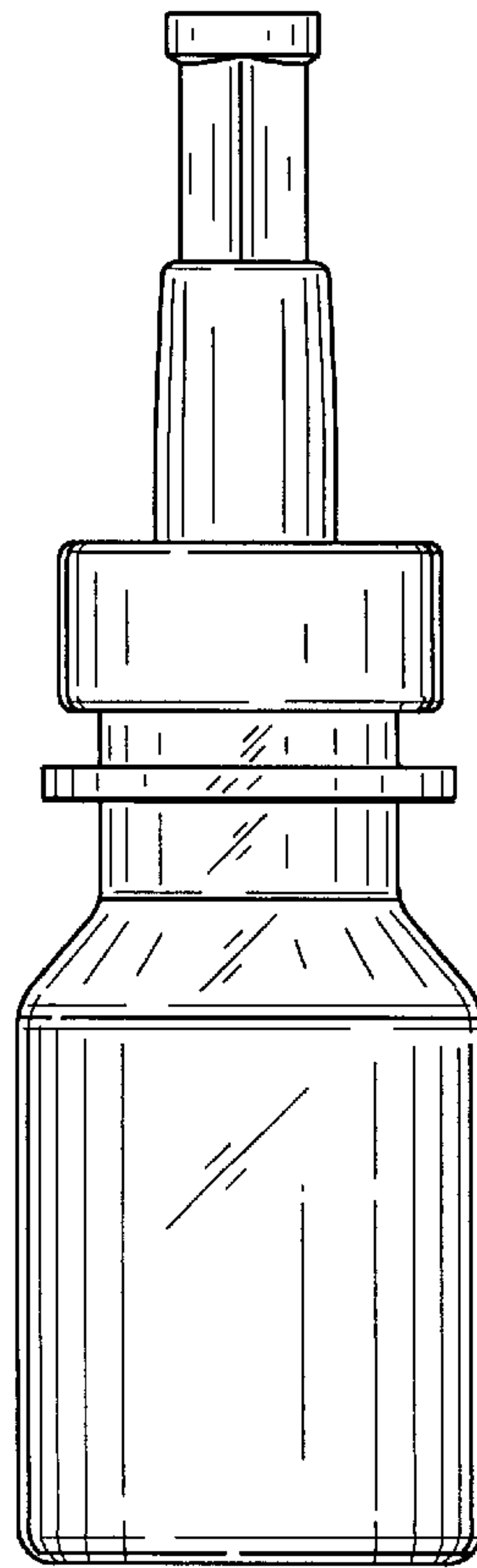


FIG. 2

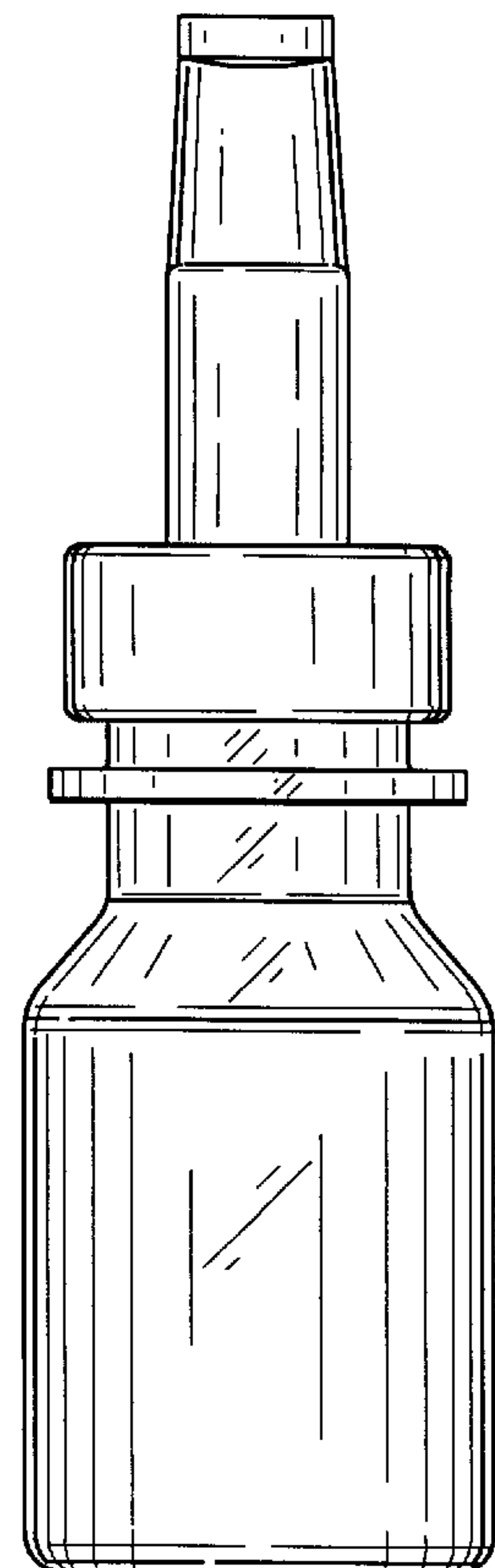


FIG. 3

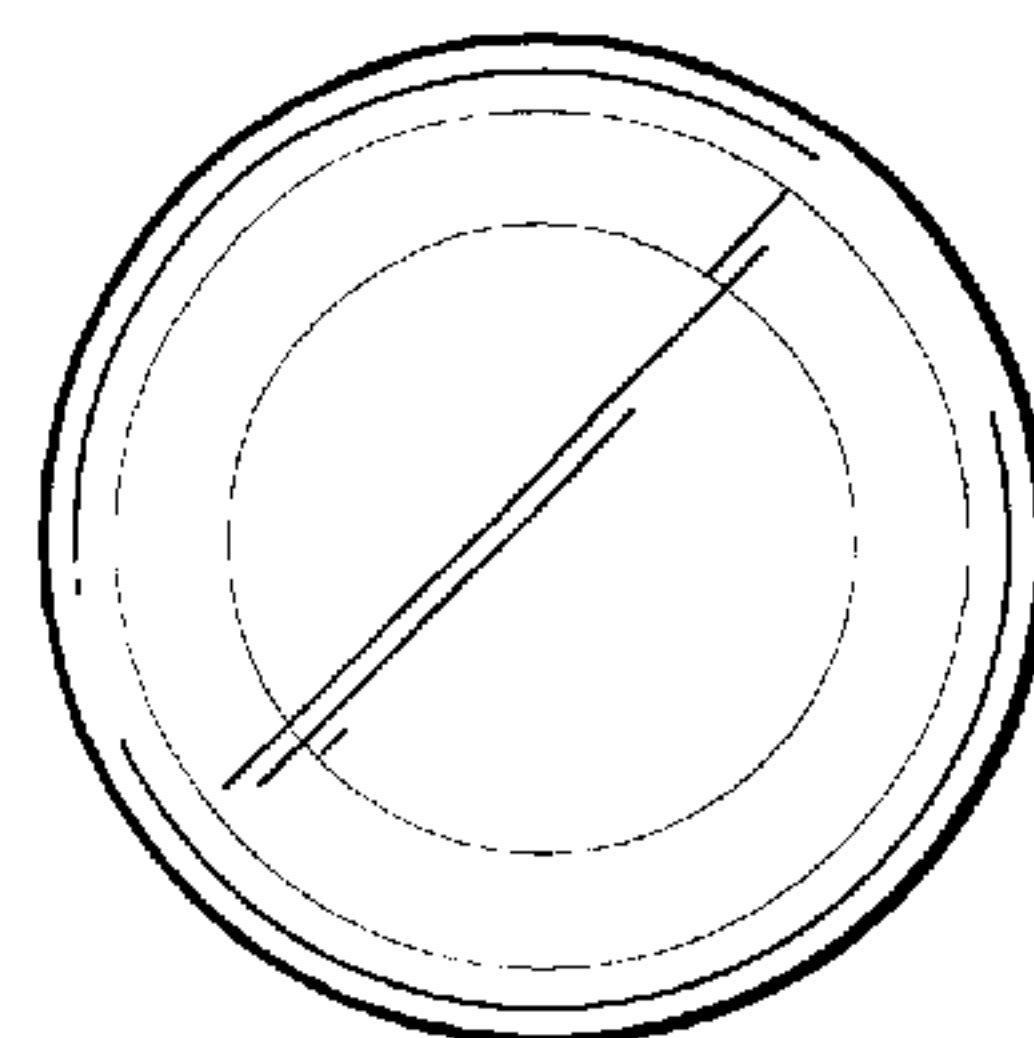


FIG. 5