



US00D447560B1

(12) **United States Design Patent**
Hellberg et al.

(10) **Patent No.:** **US D447,560 S**

(45) **Date of Patent:** **** Sep. 4, 2001**

(54) **AMPOULE SET**

(75) Inventors: **Anders Hellberg**, Södertälje; **Carin Widerström**, Höllviken, both of (SE)

(73) Assignee: **AstraZeneca AB**, Sodertalje (SE)

(**) Term: **14 Years**

(21) Appl. No.: **29/122,320**

(22) Filed: **Apr. 25, 2000**

(30) **Foreign Application Priority Data**

Nov. 5, 1999 (SE) 99-2024

(51) **LOC (7) Cl.** **24-02**

(52) **U.S. Cl.** **D24/115**

(58) **Field of Search** D24/115, 117,
D24/224; D9/302, 341, 344; 604/200, 217,
212; 220/23.4; 215/DIG. 3; 222/206, 212,
107, 94, 92, 541.1, 541.4, 541.6, 541.9

(56) **References Cited**

U.S. PATENT DOCUMENTS

D. 309,097 * 7/1990 Price D24/115

D. 329,976 * 10/1992 Newell et al. D9/344
D. 362,304 * 9/1995 Wilson et al. D24/117
4,469,254 * 9/1984 Hansen 222/541.6
4,787,536 * 11/1988 Widerstrom 222/541.9
5,409,125 * 4/1995 Kimber et al. D24/115
5,577,636 * 11/1996 Fukuoka et al. 222/107

* cited by examiner

Primary Examiner—Ian Simmons

(74) *Attorney, Agent, or Firm*—Fish & Richardson P.C.

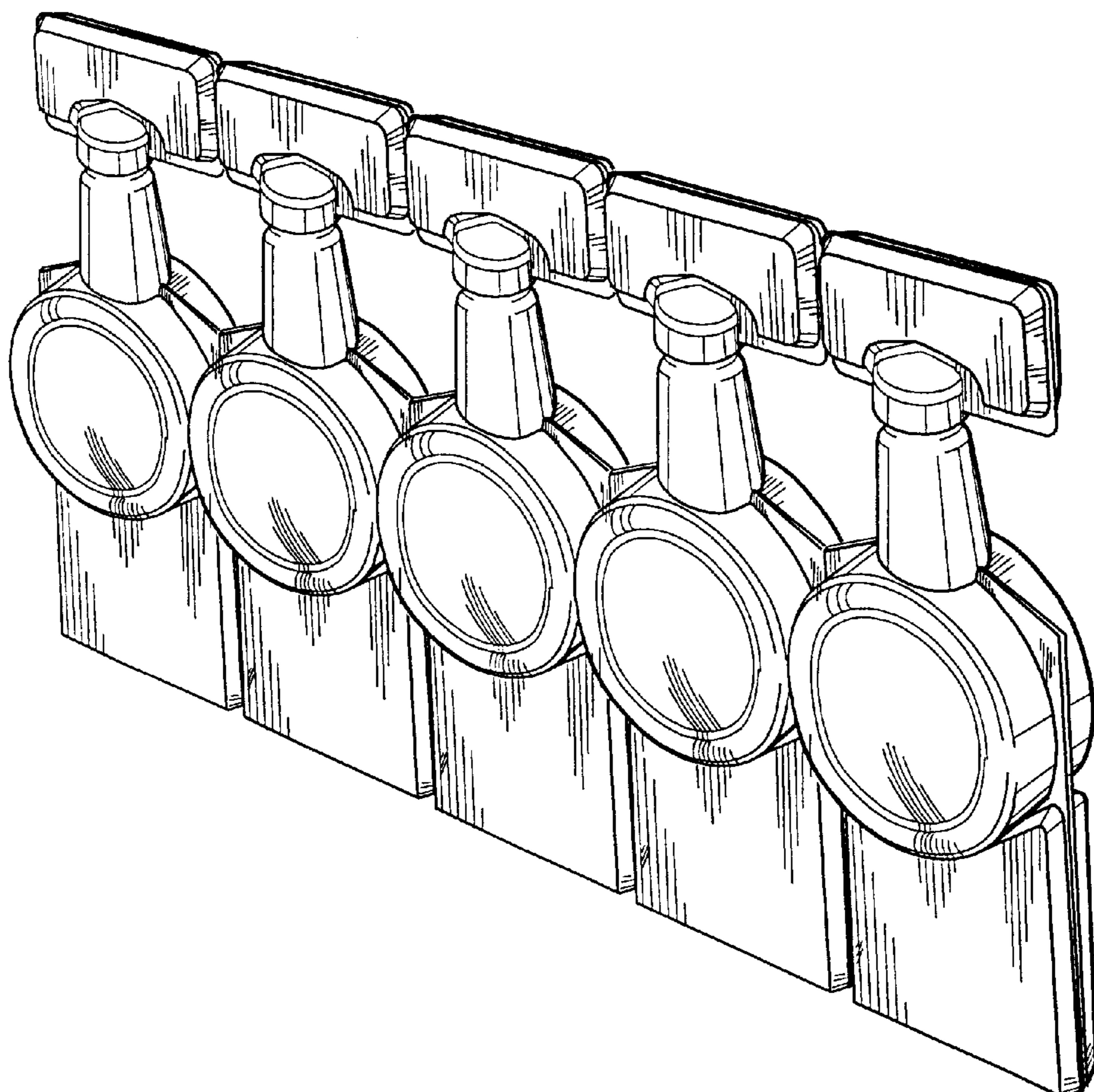
(57) **CLAIM**

The ornamental design for an ampoule set, as shown and described.

DESCRIPTION

FIG. 1 is a perspective view of the ampoule set;
FIG. 2 is a front view thereof;
FIG. 3 is a top view thereof;
FIG. 4 is a rear view thereof;
FIG. 5 is a bottom view thereof;
FIG. 6 is a right side view thereof; and,
FIG. 7 is a left side view thereof.

1 Claim, 3 Drawing Sheets



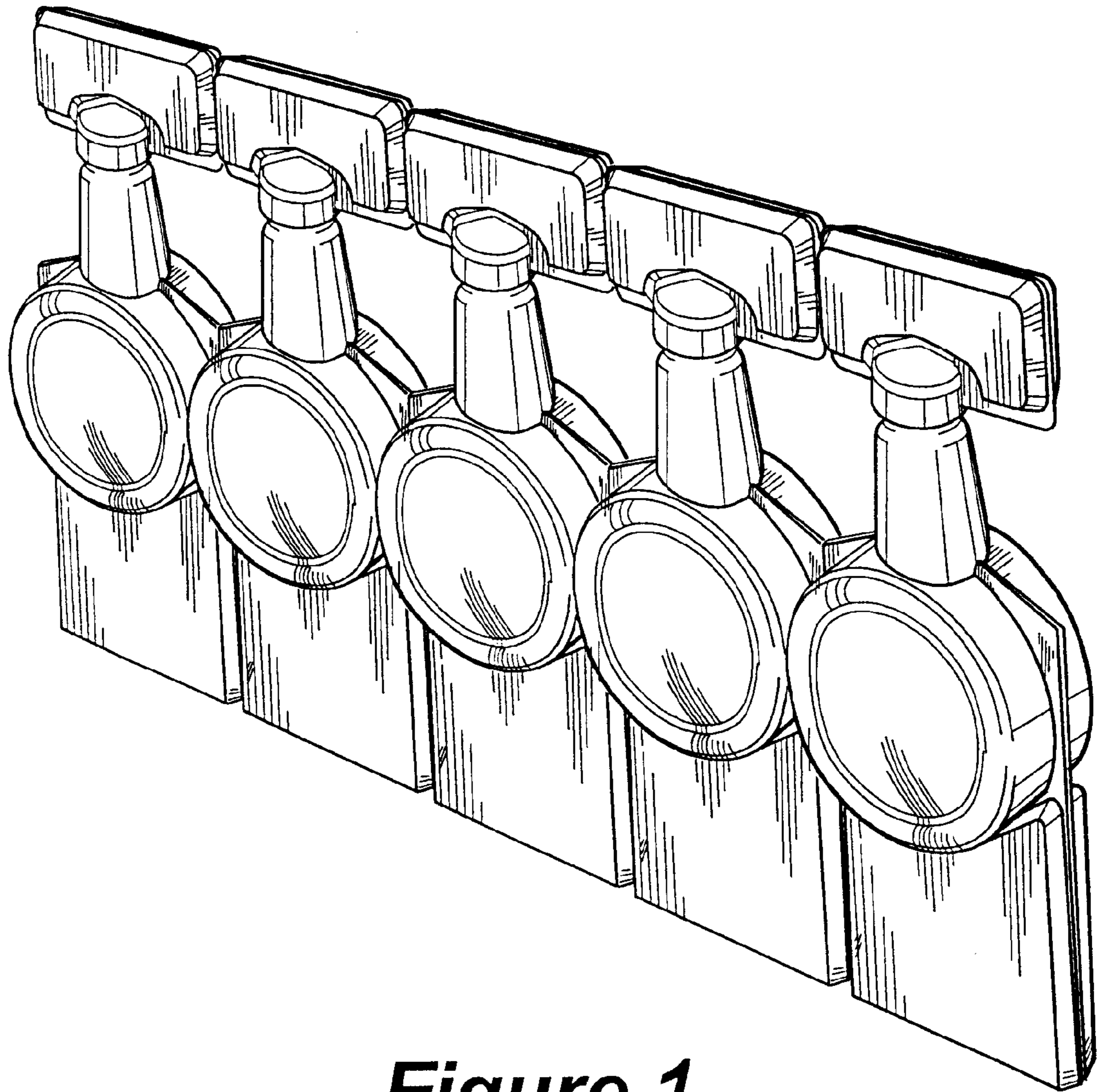


Figure 1

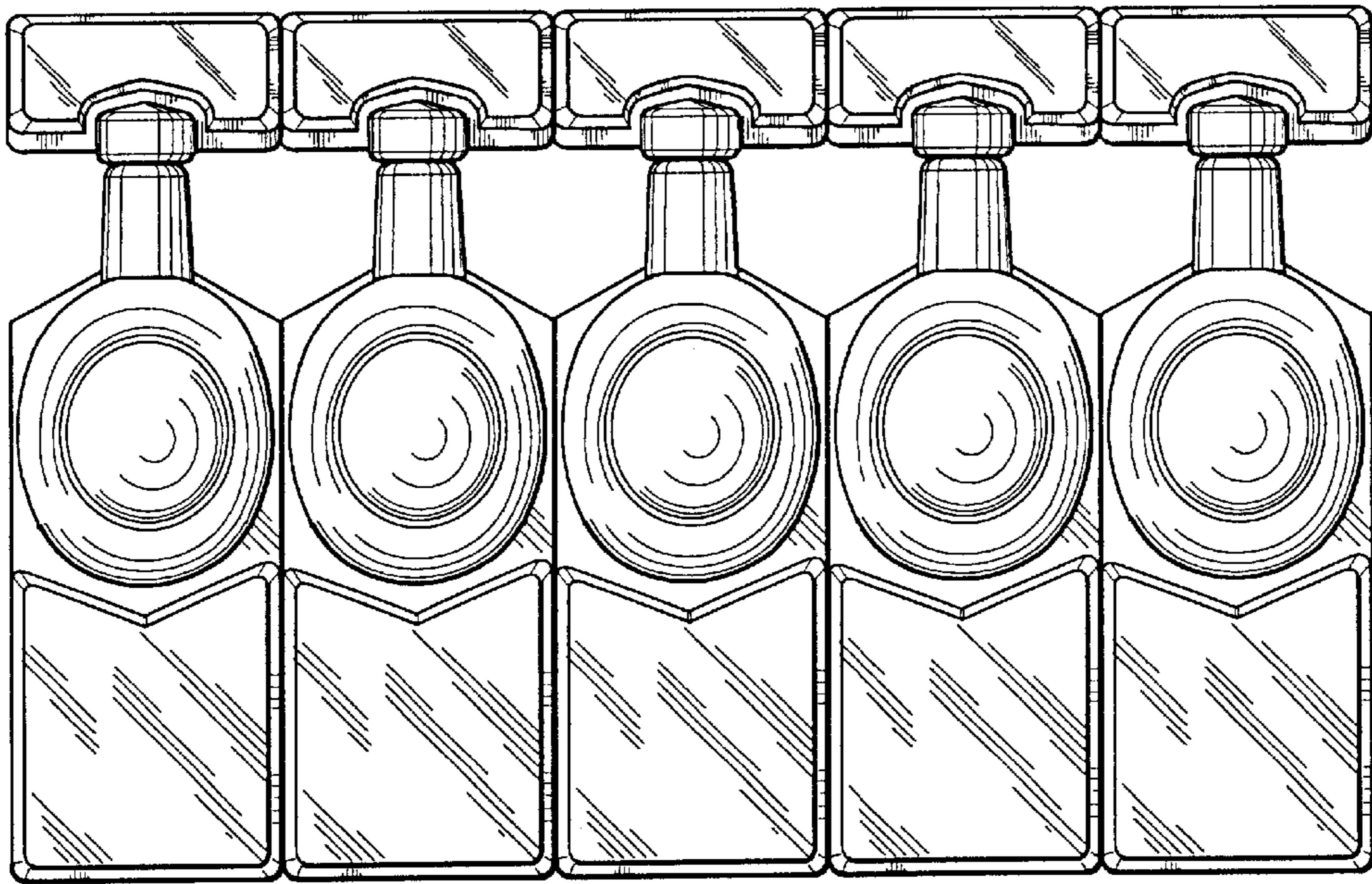


Figure 2

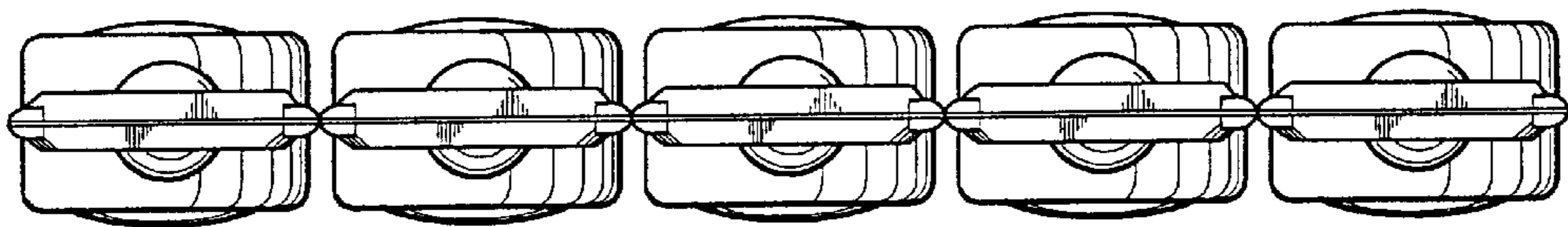


Figure 3

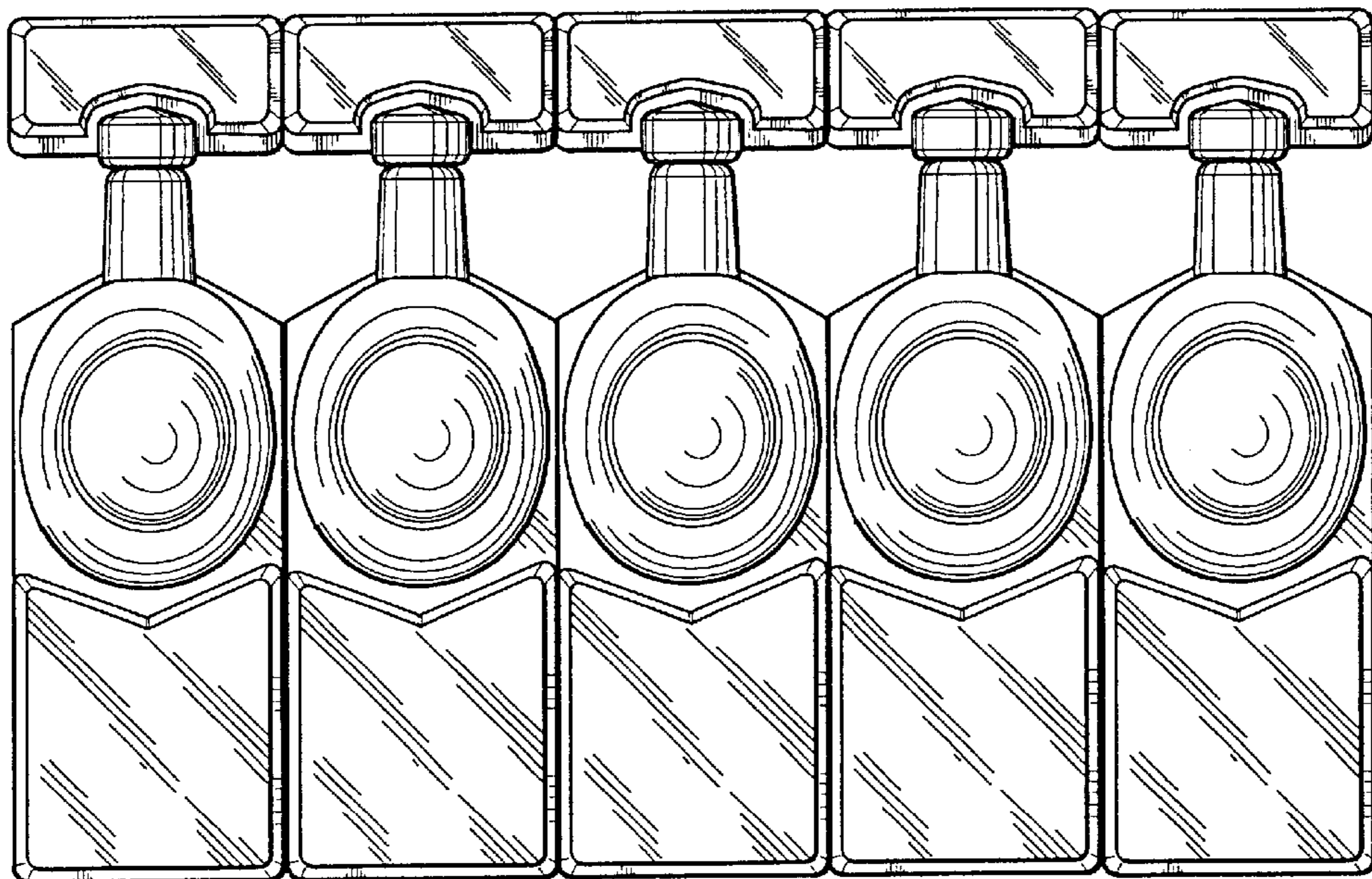


Figure 4

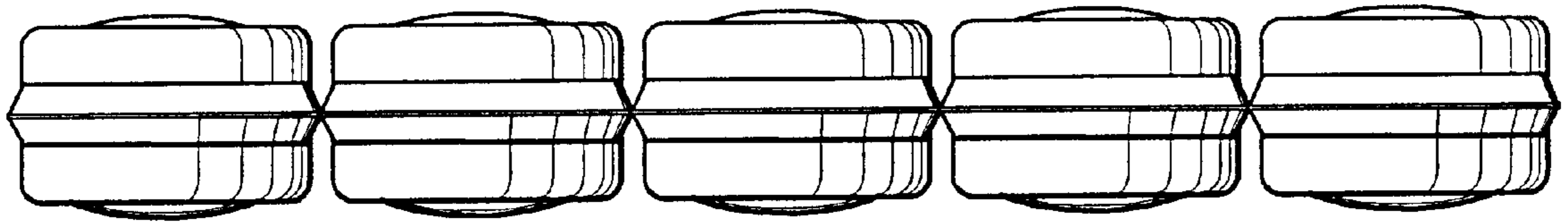


Figure 5

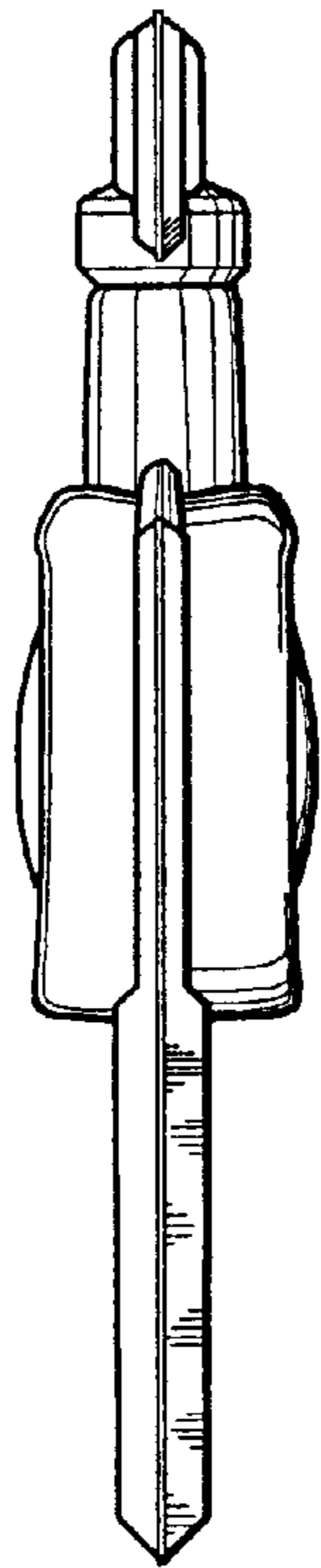


Figure 6

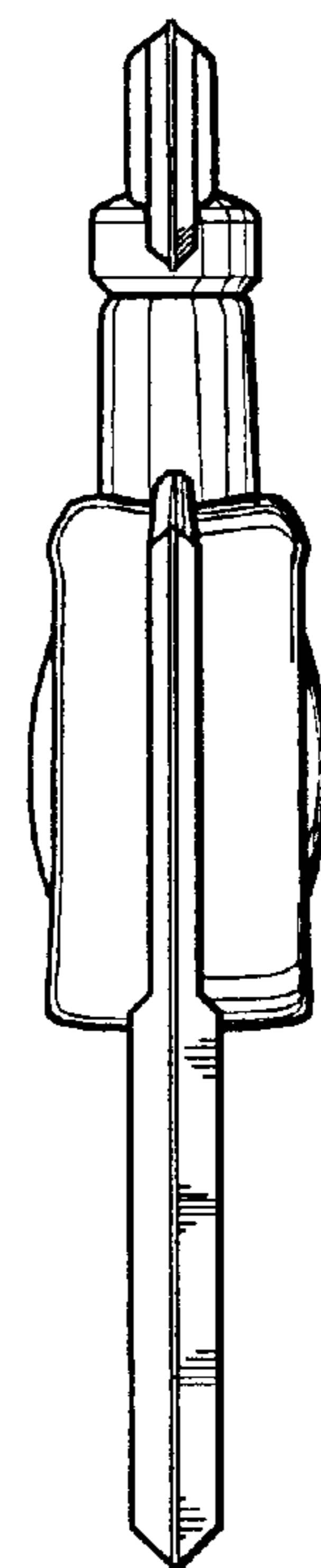


Figure 7