



US00D447558B1

(12) **United States Design Patent** (10) **Patent No.:** **US D447,558 S**
Cartledge et al. (45) **Date of Patent:** **** Sep. 4, 2001**

(54) **INFUSION PUMP CARTRIDGE**
(75) Inventors: **Richard G. Cartledge; Hugh F. Smisson, III**, both of Macon, GA (US); **Jeffery O. Brown**, North Logan, UT (US)
(73) Assignee: **Smisson-Cartledge Biomedical, LLC**, Macon, GA (US)
(**) Term: **14 Years**
(21) Appl. No.: **29/121,936**
(22) Filed: **Apr. 14, 2000**
(51) **LOC (7) Cl.** **24-02**
(52) **U.S. Cl.** **D24/111**
(58) **Field of Search** D24/111; 604/118, 604/67, 153, 30, 34, 151; 128/DIG. 13, DIG. 12; 417/477.2, 477.6, 477.1, 479, 474, 360, 79

5,104,374	4/1992	Bishko et al.	604/31
5,236,162	8/1993	Desjardins	248/214
5,308,333	5/1994	Skakoon	604/126
5,366,346	11/1994	Danby	417/18
5,385,540	1/1995	Abbott et al.	604/4
5,415,532	5/1995	Loughnane et al.	417/411
5,419,684	5/1995	Struble et al.	417/442
5,464,391	11/1995	DeVale	604/67
5,482,446	1/1996	Williamson et al.	417/474
5,573,502	11/1996	LeCocq et al.	604/4
5,577,891	11/1996	Loughnane et al.	417/53
5,746,719	5/1998	Farra et al.	604/151
5,755,691	5/1998	Hilborne et al.	604/151
5,782,805	7/1998	Meinzer et al.	604/131
5,840,068	11/1998	Cartledge	604/131
5,928,196	7/1999	Johnson et al.	604/153
6,165,154	* 12/2000	Gray et al.	604/153

FOREIGN PATENT DOCUMENTS

0 120 284	3/1984	(EP) .
WO 97/21456	6/1997	(WO) .

* cited by examiner

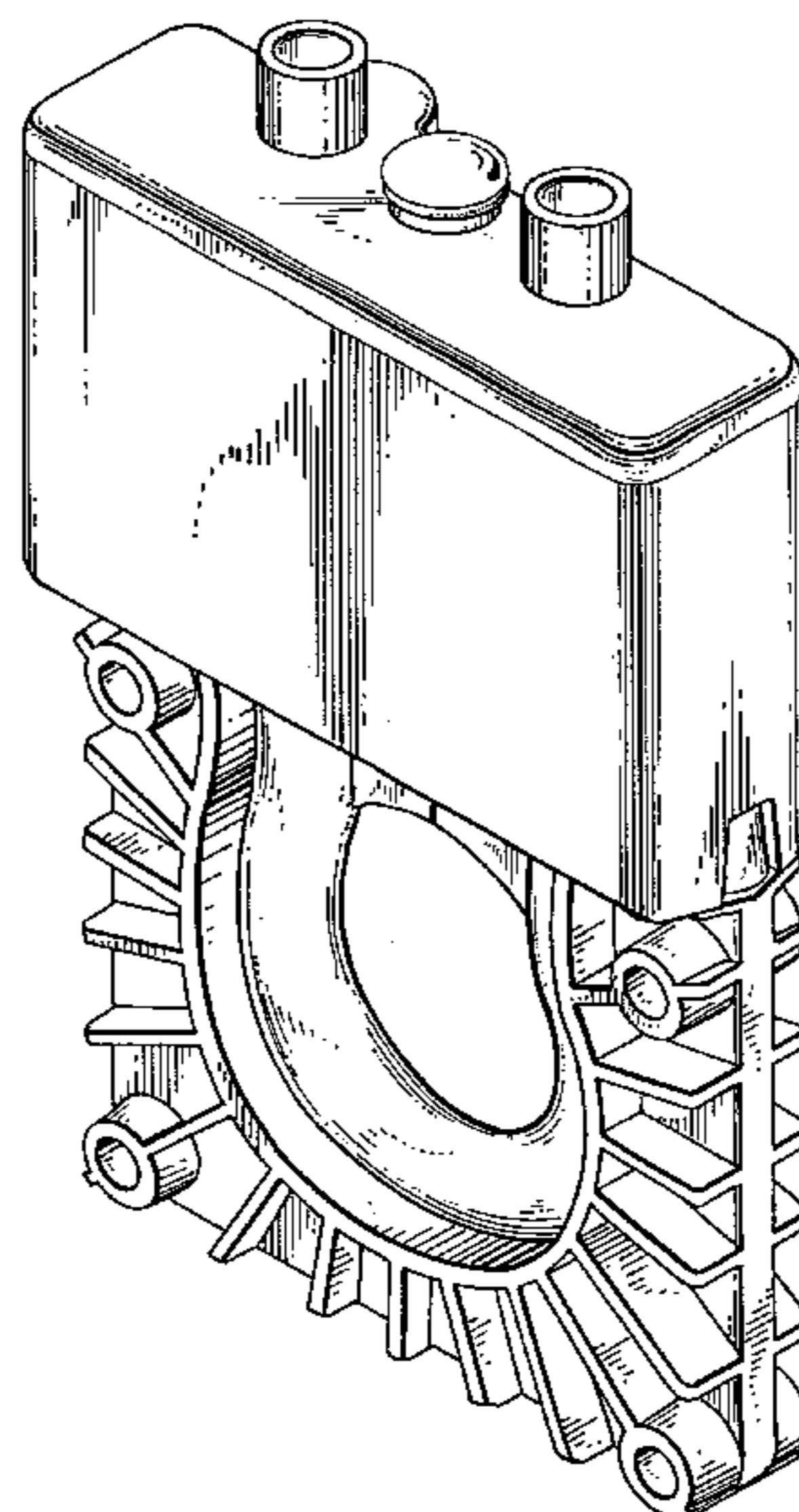
Primary Examiner—Ian Simmons
(74) *Attorney, Agent, or Firm*—Sutherland Asbill & Brennan LLP

(56) **References Cited**
U.S. PATENT DOCUMENTS
D. 367,323 * 2/1996 Carr et al. D24/111
D. 371,194 * 6/1996 Marston et al. D24/111
D. 376,848 * 12/1996 Zeilig et al. D24/111
D. 427,305 * 6/2000 Cole et al. D24/111
3,985,133 10/1976 Jenkins et al. 128/214
4,012,177 3/1977 Yakich 417/477
4,187,057 2/1980 Xanthopoulos 417/63
4,256,437 3/1981 Brown 417/45
4,275,726 6/1981 Schael 128/213 A
4,410,322 10/1983 Archibald 604/153
4,475,901 10/1984 Kraegen et al. 604/67
4,537,561 8/1985 Xanthopoulos 417/63
4,685,902 8/1987 Edwards et al. 604/153
4,747,826 5/1988 Sassano 604/52
4,808,167 2/1989 Mann et al. 604/151
4,856,972 8/1989 Van Benschoten et al. 417/477
4,950,136 8/1990 Haas et al. 417/477
5,061,241 10/1991 Stephens, Jr. et al. 604/114

(57) **CLAIM**
The ornamental design for an infusion pump cartridge, as shown.

DESCRIPTION
FIG. 1 is a perspective view of the new infusion pump cartridge;
FIG. 2 is a top plan view thereof;
FIG. 3 is a front elevational view thereof;
FIG. 4 is a right side elevational view thereof;
FIG. 5 is a left side elevational view thereof;
FIG. 6 is a rear elevational view thereof; and,
FIG. 7 is a bottom plan view thereof.

1 Claim, 3 Drawing Sheets



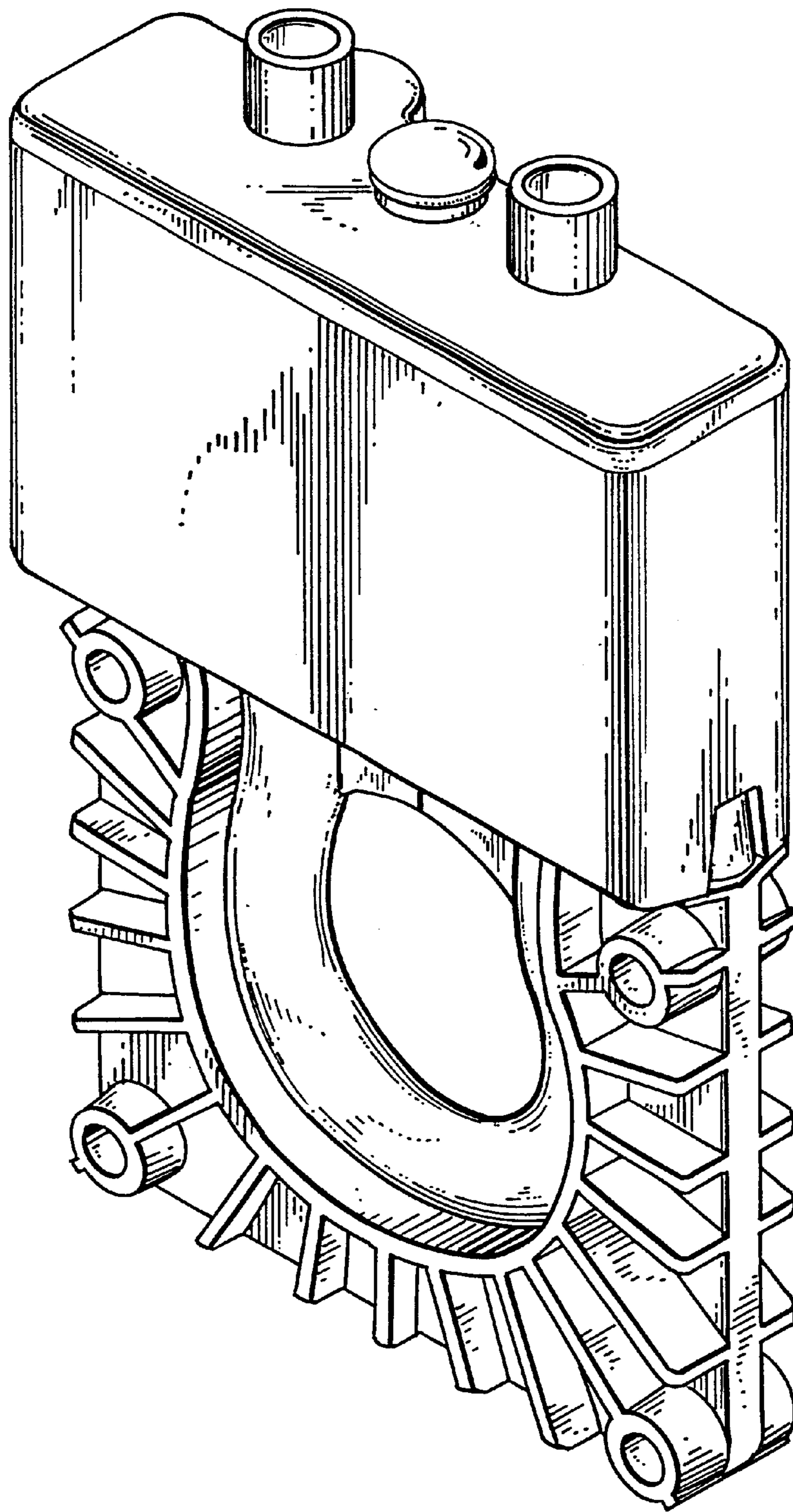


Fig. 1

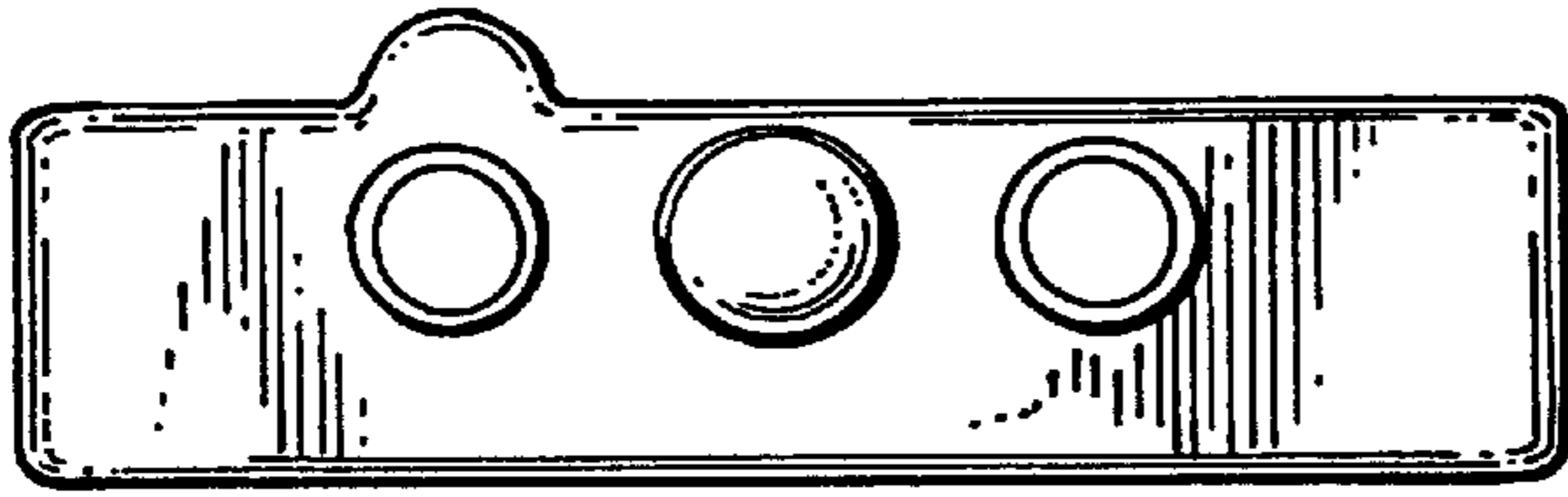


Fig. 2

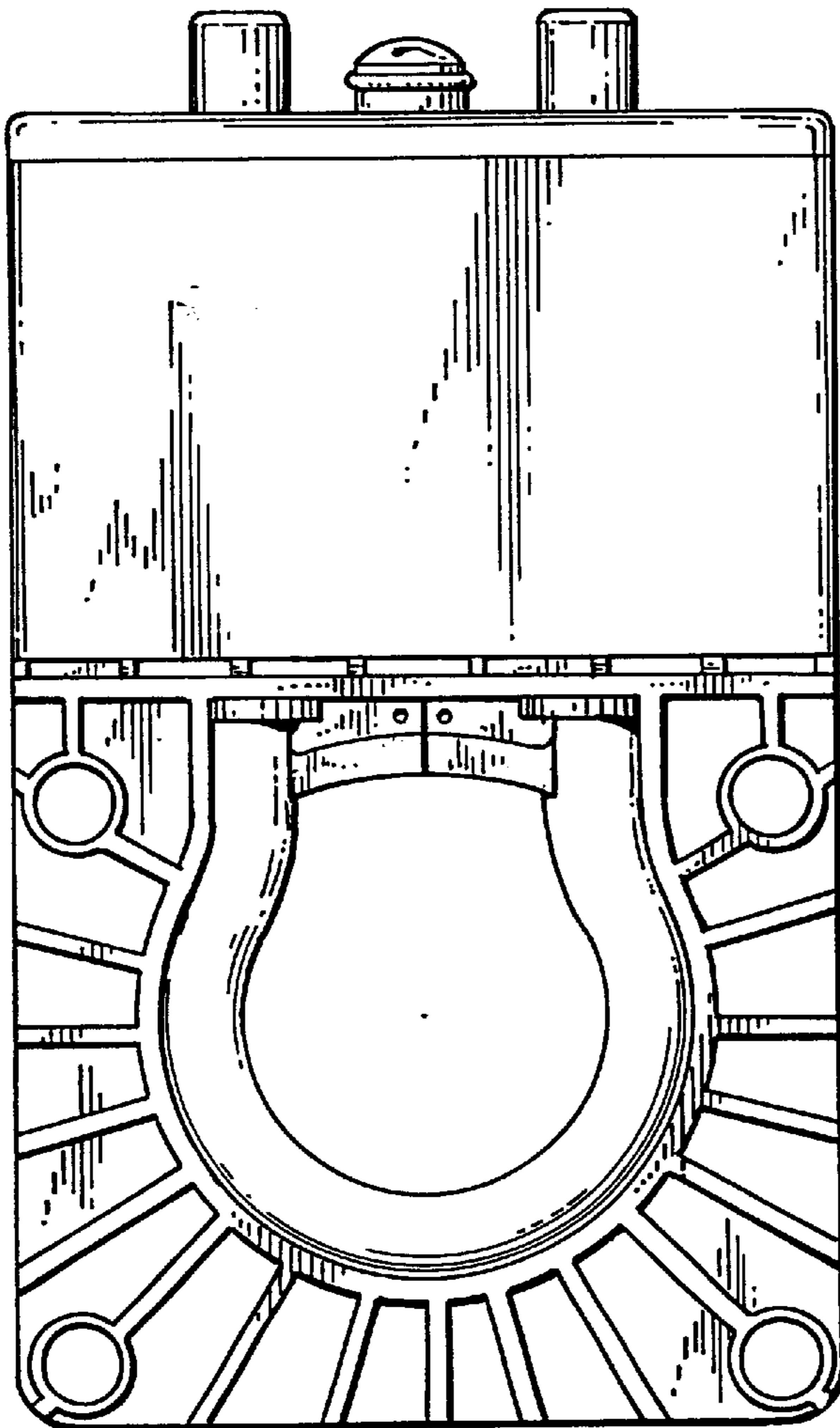


Fig. 3

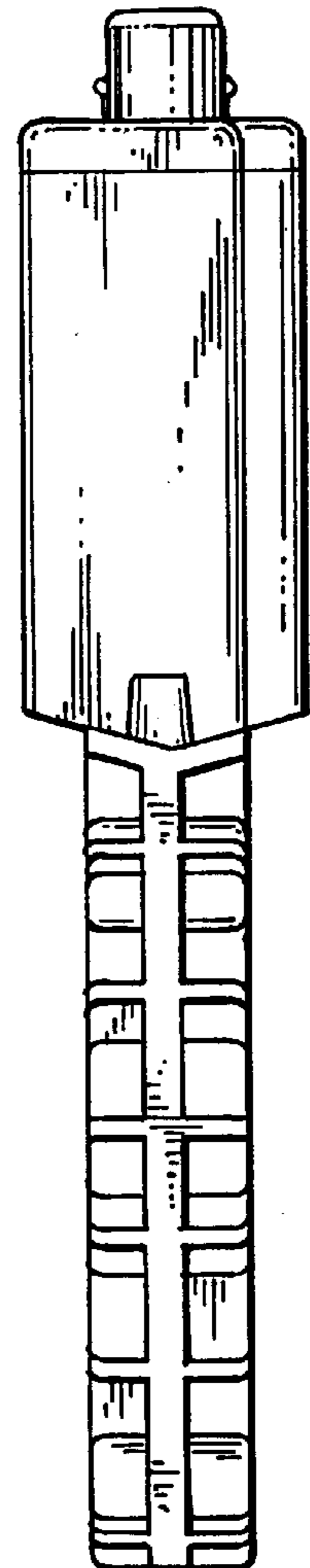


Fig. 4

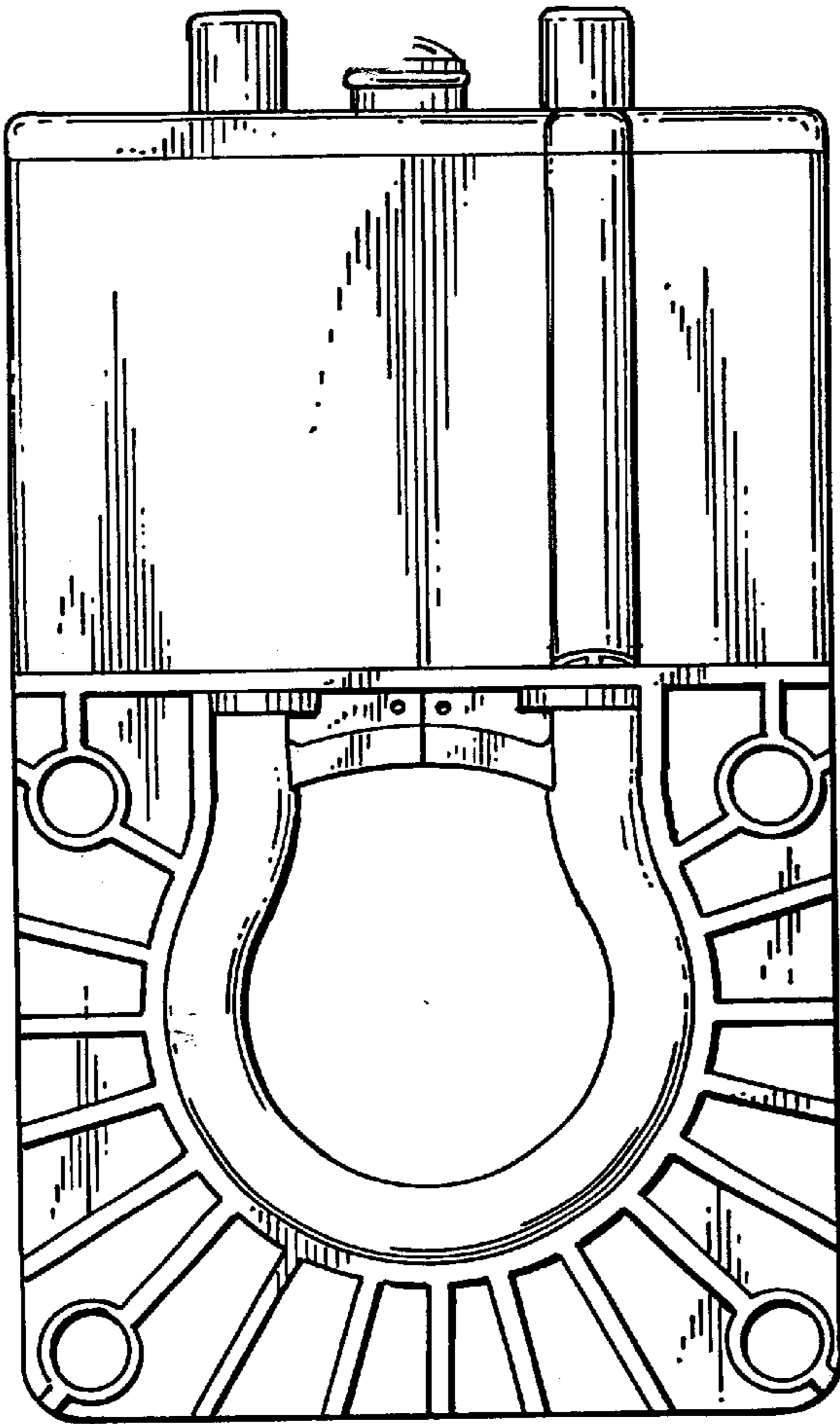


Fig. 6

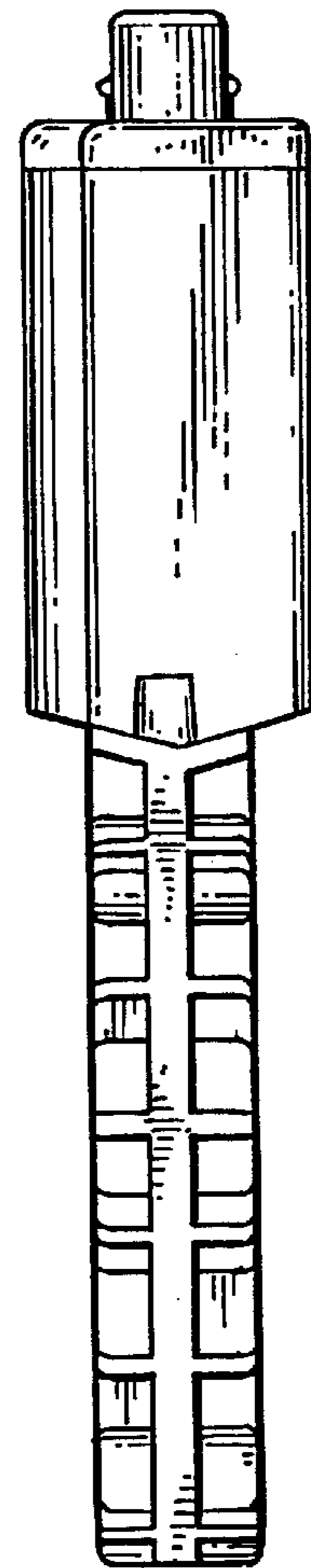


Fig. 5

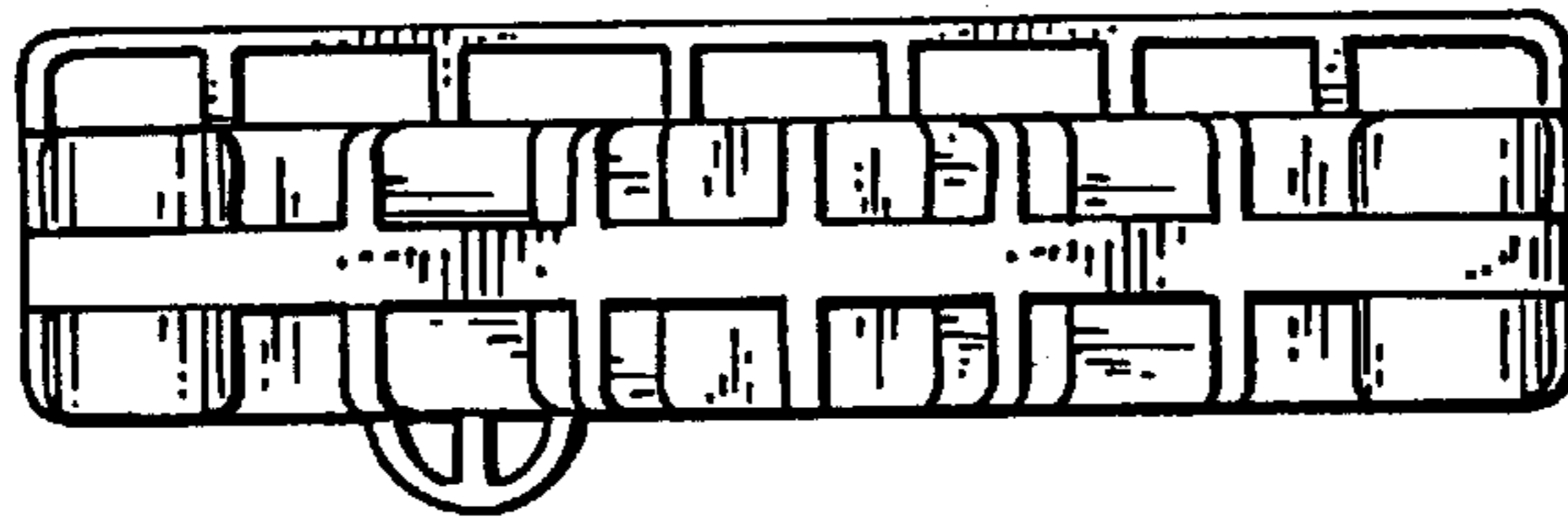


Fig. 7