



US00D447557B1

(12) **United States Design Patent**
Wilkie et al.

(10) **Patent No.:** **US D447,557 S**

(45) **Date of Patent:** **** Sep. 4, 2001**

(54) **MASK**

(75) Inventors: **Paul Wilkie**, Glenmore Park; **Colin Edward Sullivan**, Birchgrove, both of (AU)

(73) Assignee: **Australian Centre for Advanced Medical Technology Ltd.**, Sydney (AU)

(**) Term: **14 Years**

(21) Appl. No.: **29/122,714**

(22) Filed: **May 3, 2000**

(30) **Foreign Application Priority Data**

Nov. 3, 1999 (AT) 3580/99

(51) **LOC (7) Cl.** **29-02**

(52) **U.S. Cl.** **D24/110.5; D24/110.1; D24/110.4**

(58) **Field of Search** **D24/110.4, 110.5, D24/110.1; 128/207.13, 207.18, 206.18, 207.11, 206.26, 205.25, 206.24, 206.27**

(56) **References Cited**

U.S. PATENT DOCUMENTS

D. 439,326 * 3/2001 Hecker et al. D24/110.5
5,560,354 * 10/1996 Berthon-Jones et al. 128/205.25

5,662,101	*	9/1997	Ogden et al.	128/207.11
5,921,239	*	7/1999	McCall et al.	128/205.25
6,044,844	*	4/2000	Kwok et al.	128/207.11
6,112,746	*	9/2000	Kwok et al.	128/207.13
6,119,693	*	9/2000	Kwok et al.	128/207.11

* cited by examiner

Primary Examiner—Ian Simmons

(74) *Attorney, Agent, or Firm*—Browdy and Neimark

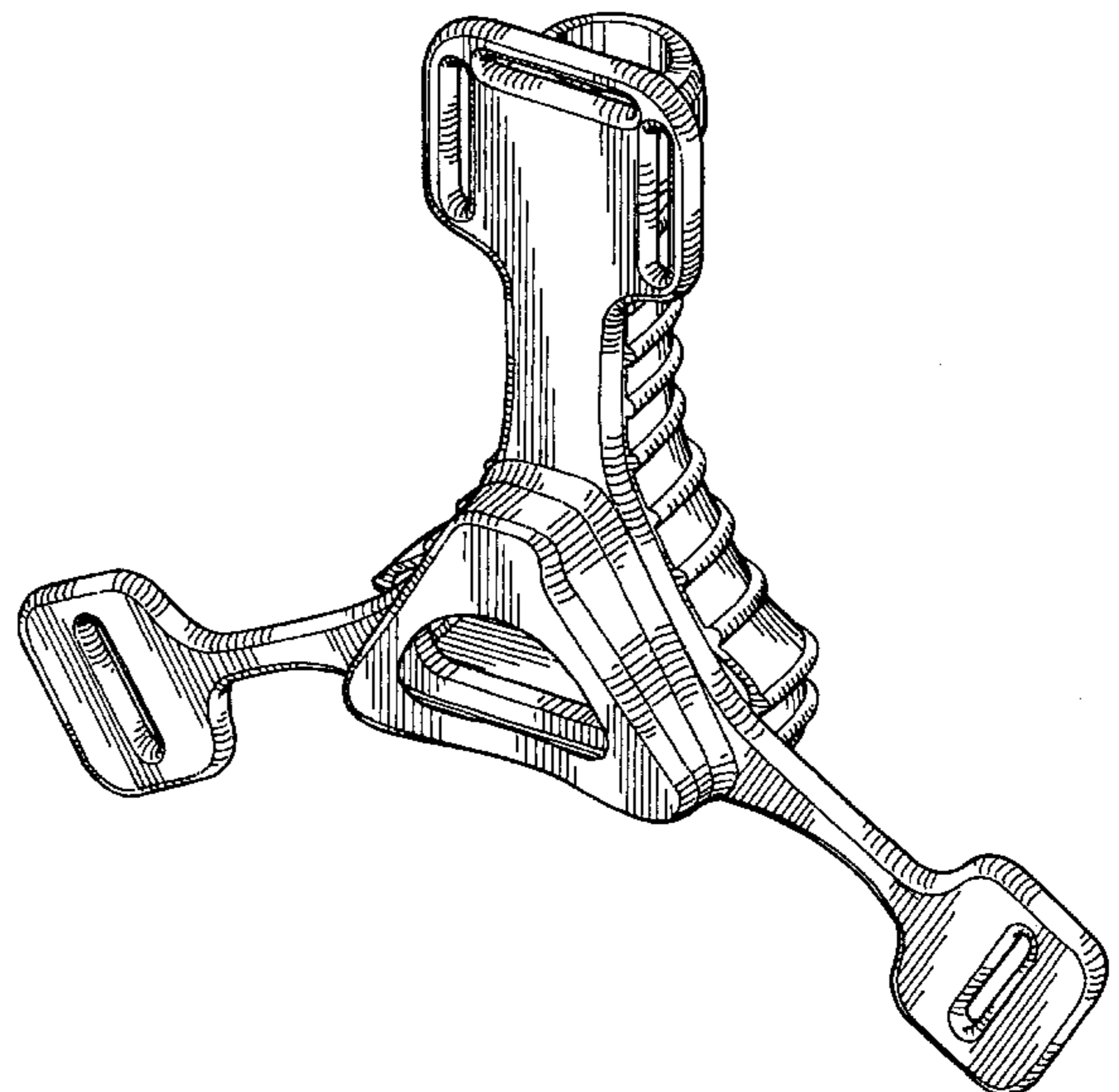
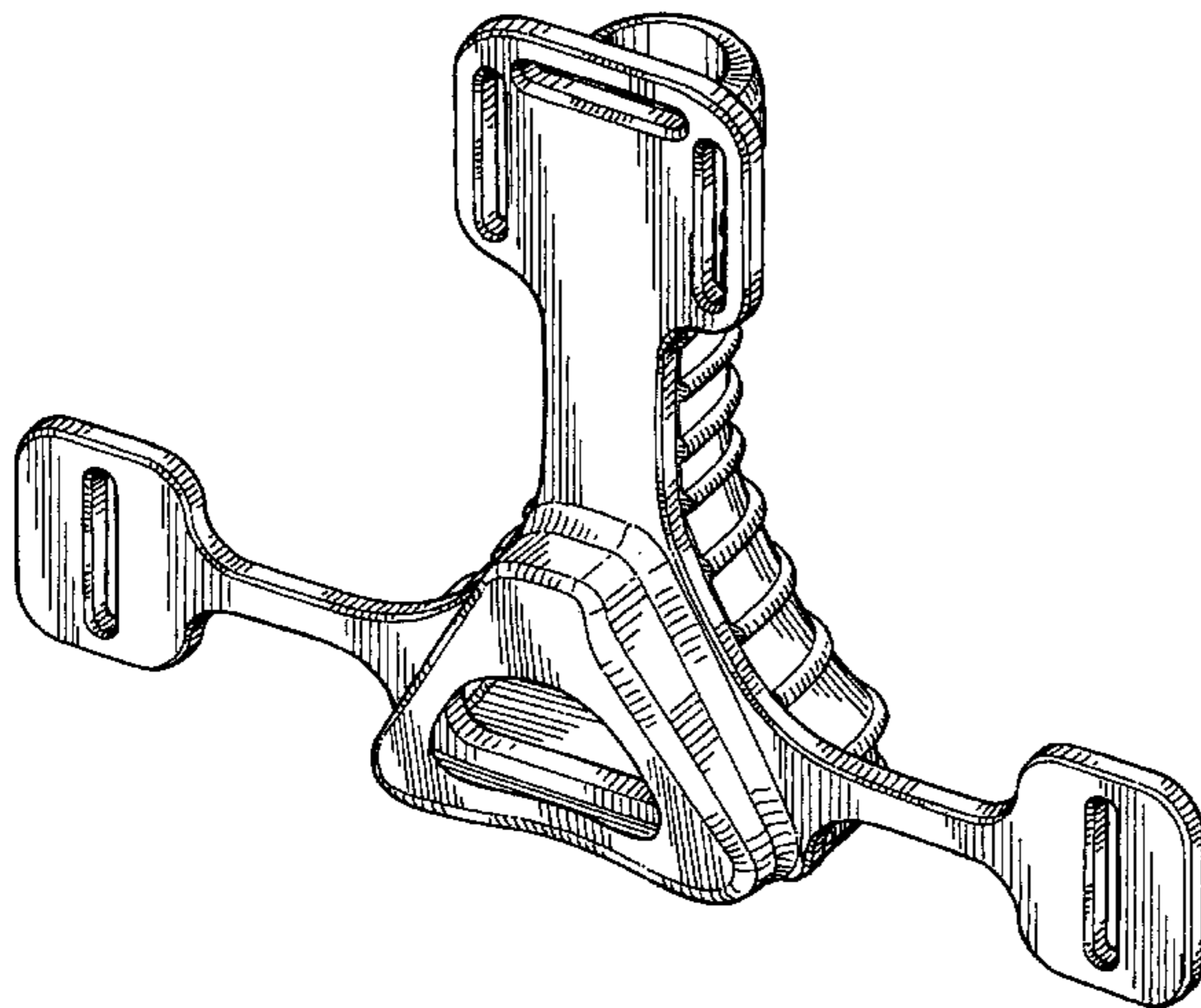
(57) **CLAIM**

The ornamental design for a mask, as shown and described.

DESCRIPTION

FIG. 1 is a perspective view of a first embodiment of a mask showing our new design;
FIG. 2 is a front view of the mask shown in FIG. 1;
FIG. 3 is a top plan view of the mask shown in FIG. 1;
FIG. 4 is a side view of the mask shown in FIG. 1;
FIG. 5 is a rear view of the mask shown in FIG. 1;
FIG. 6 is a bottom plan view of the mask shown in FIG. 1;
FIG. 7 is a perspective view of a second embodiment of a mask;
FIG. 8 is a front view of the mask shown in FIG. 7;
FIG. 9 is a top view of the mask shown in FIG. 7;
FIG. 10 is a side view of the mask shown in FIG. 7;
FIG. 11 is a rear view of the mask shown in FIG. 7; and,
FIG. 12 is a bottom plan view of the mask shown in FIG. 7.

1 Claim, 6 Drawing Sheets



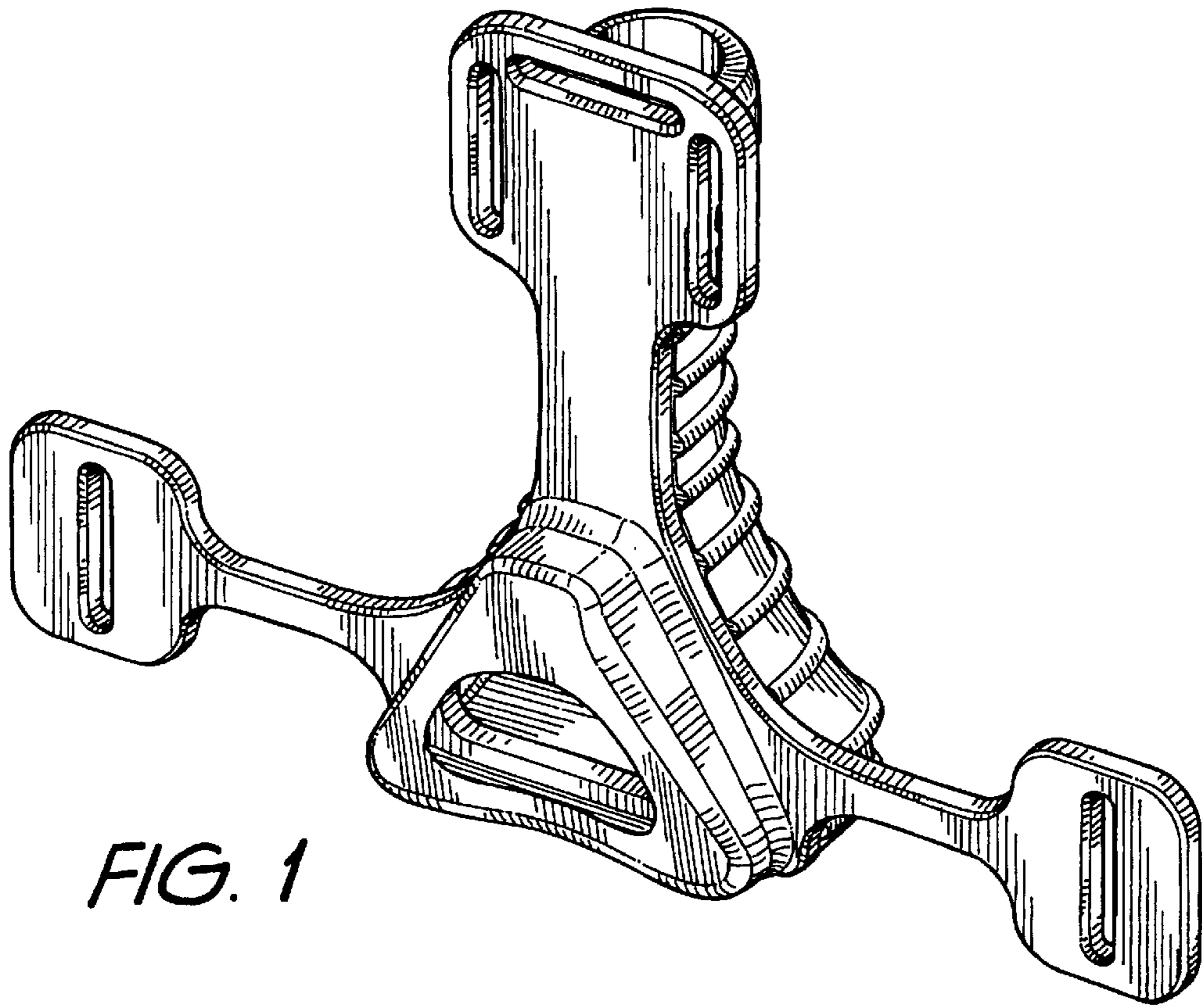


FIG. 1

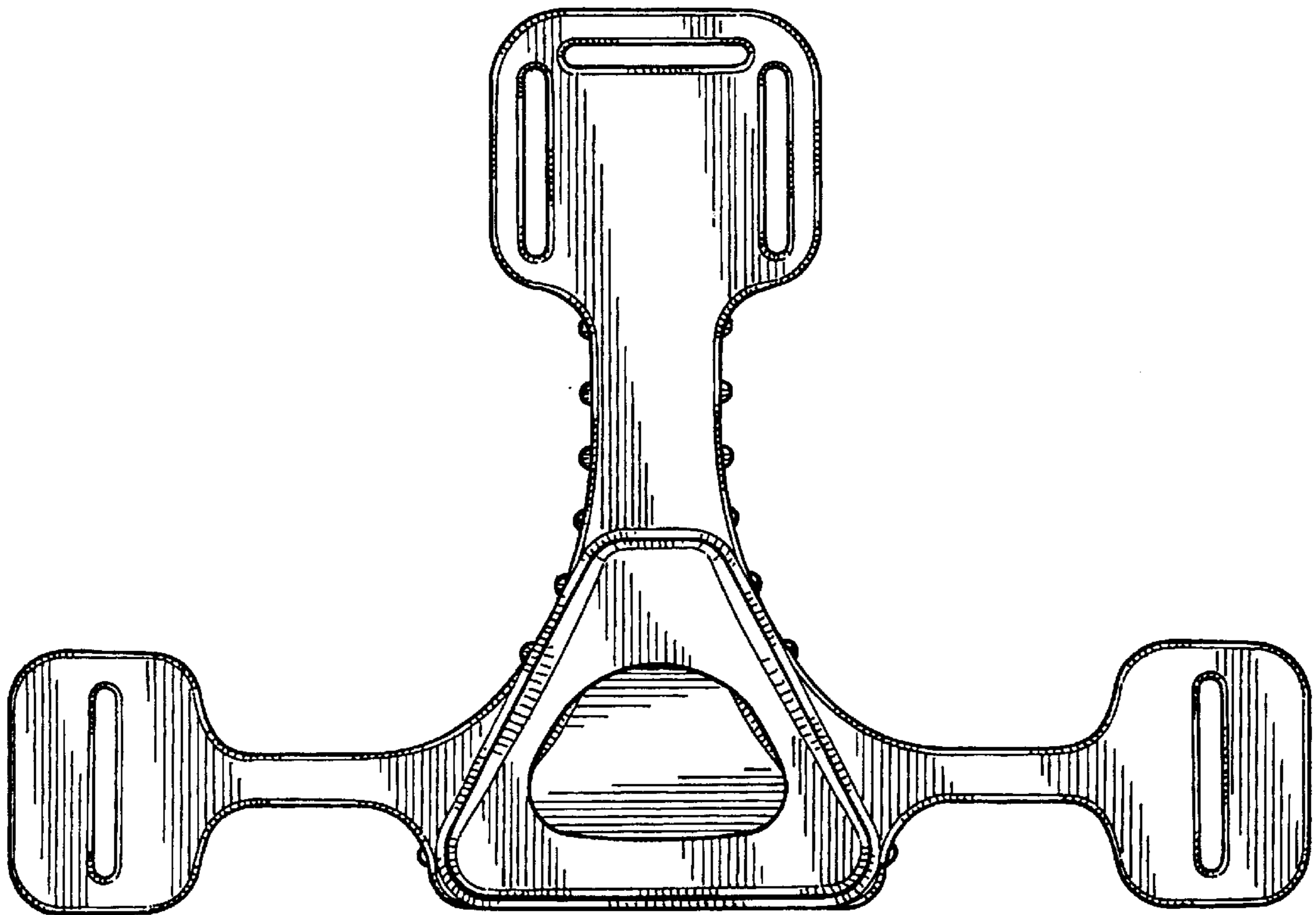


FIG. 2

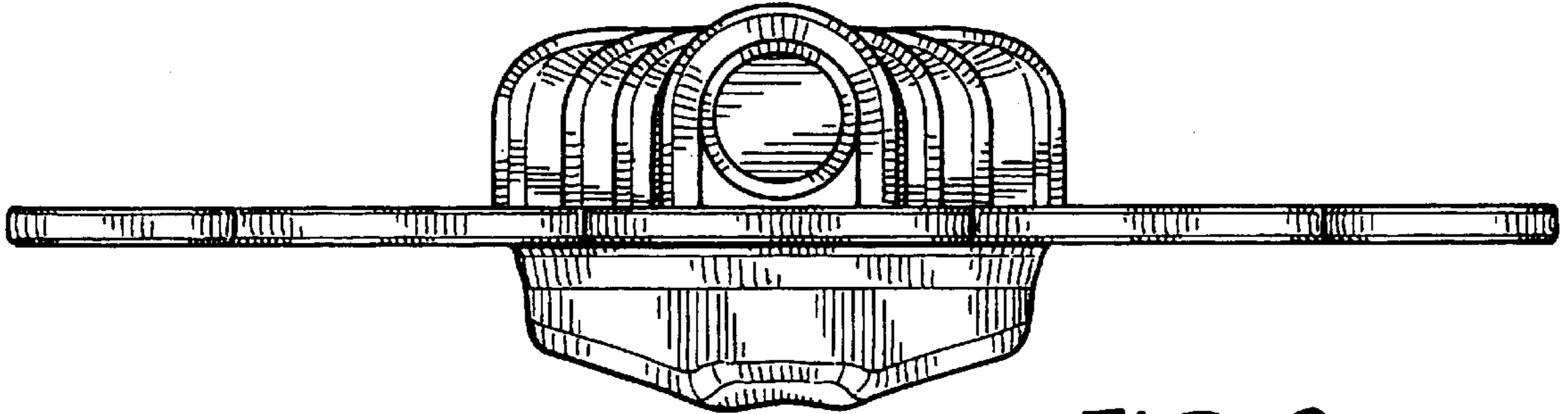


FIG. 3

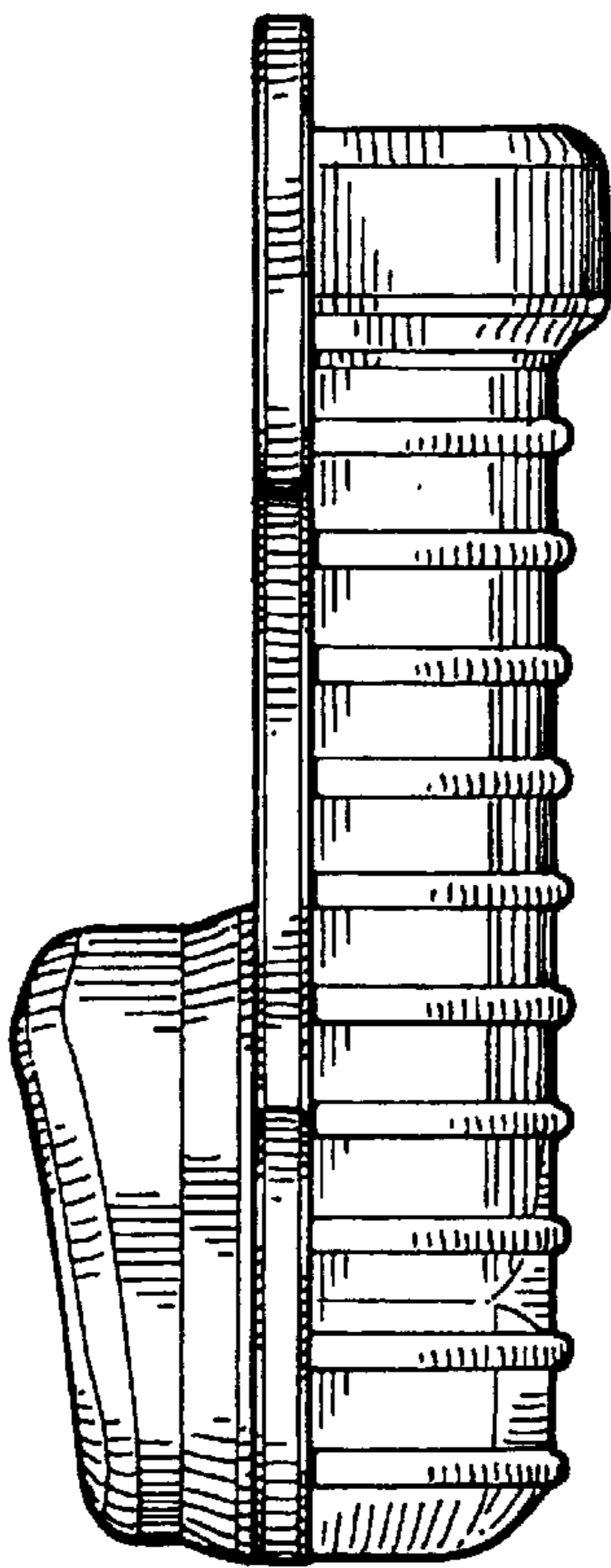


FIG. 4

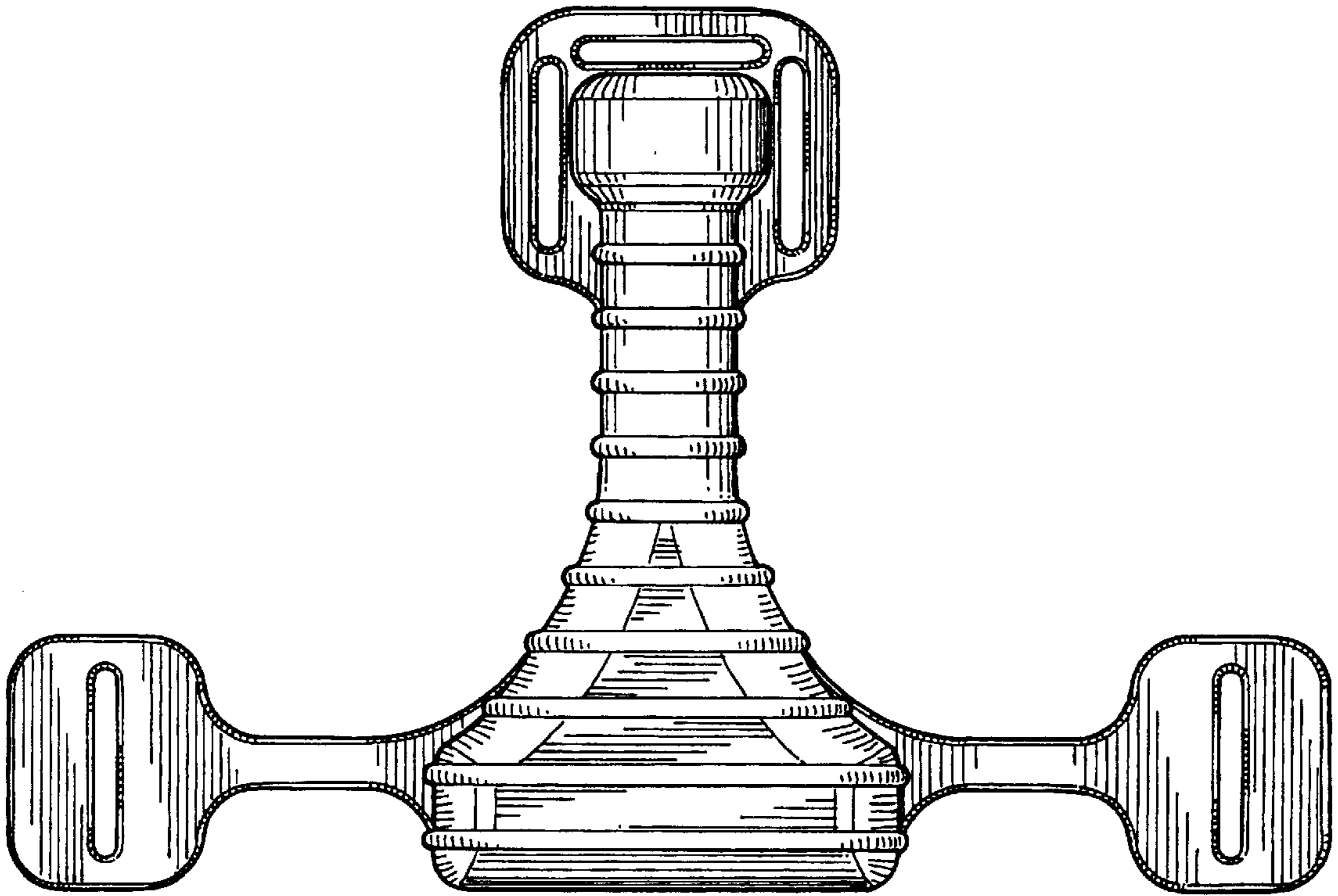


FIG. 5

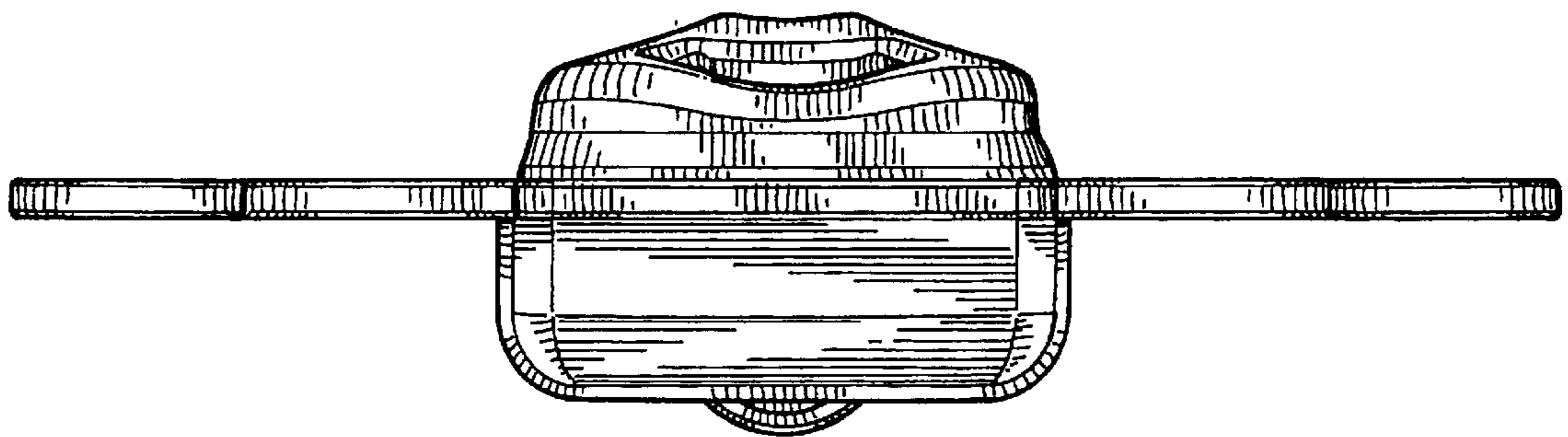


FIG. 6

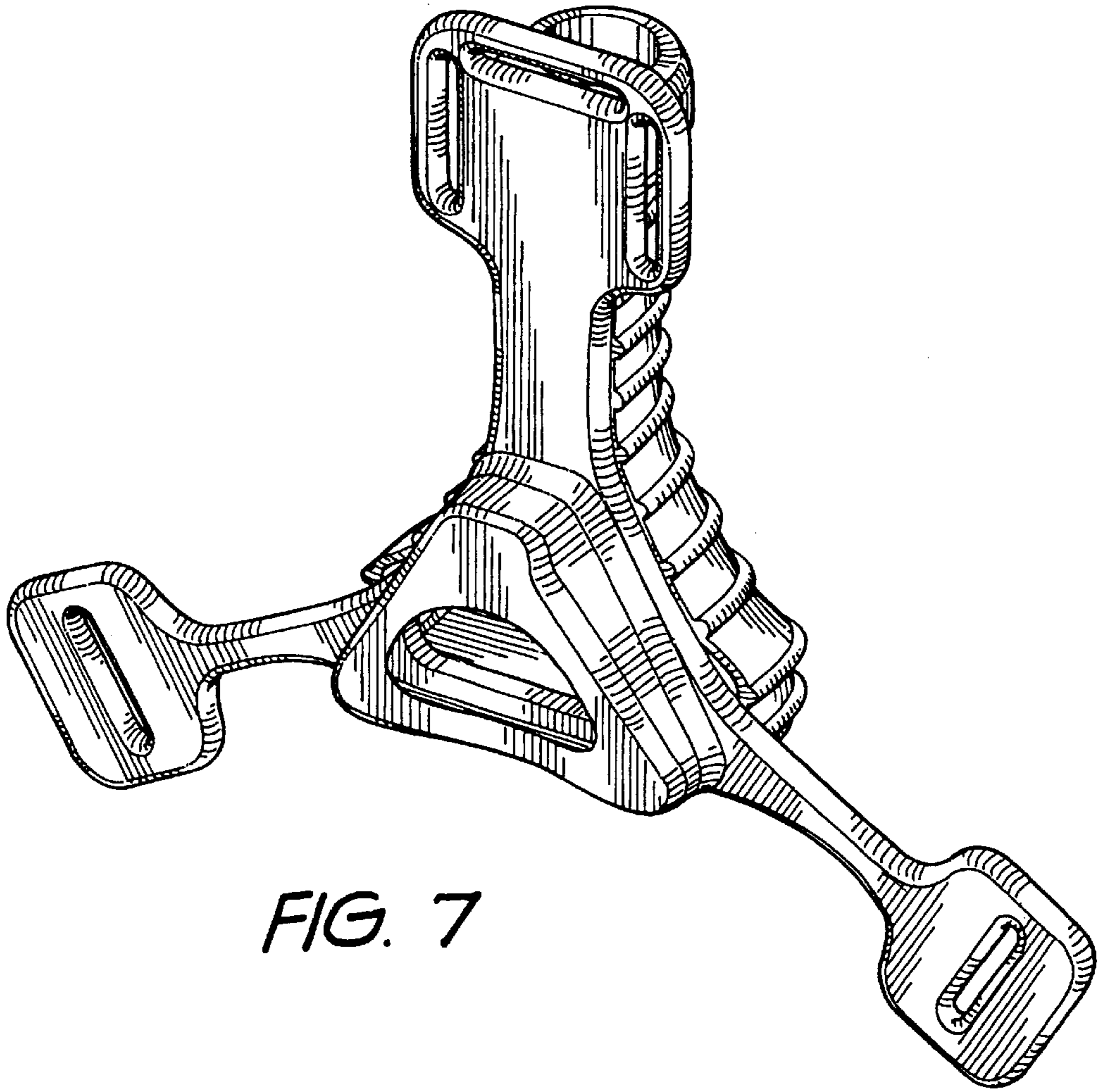


FIG. 7

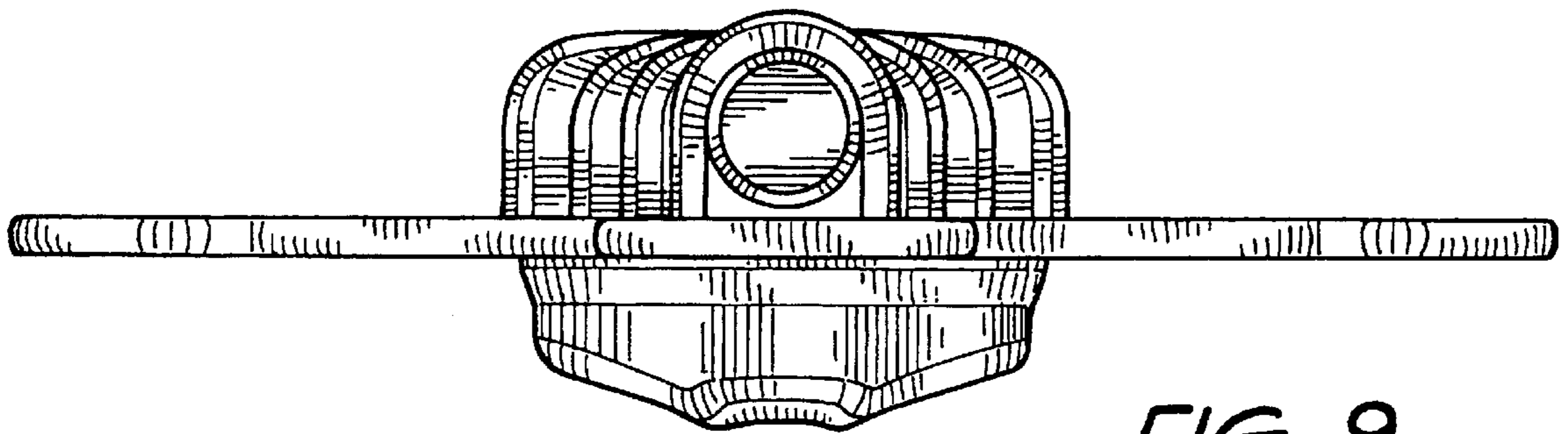


FIG. 9

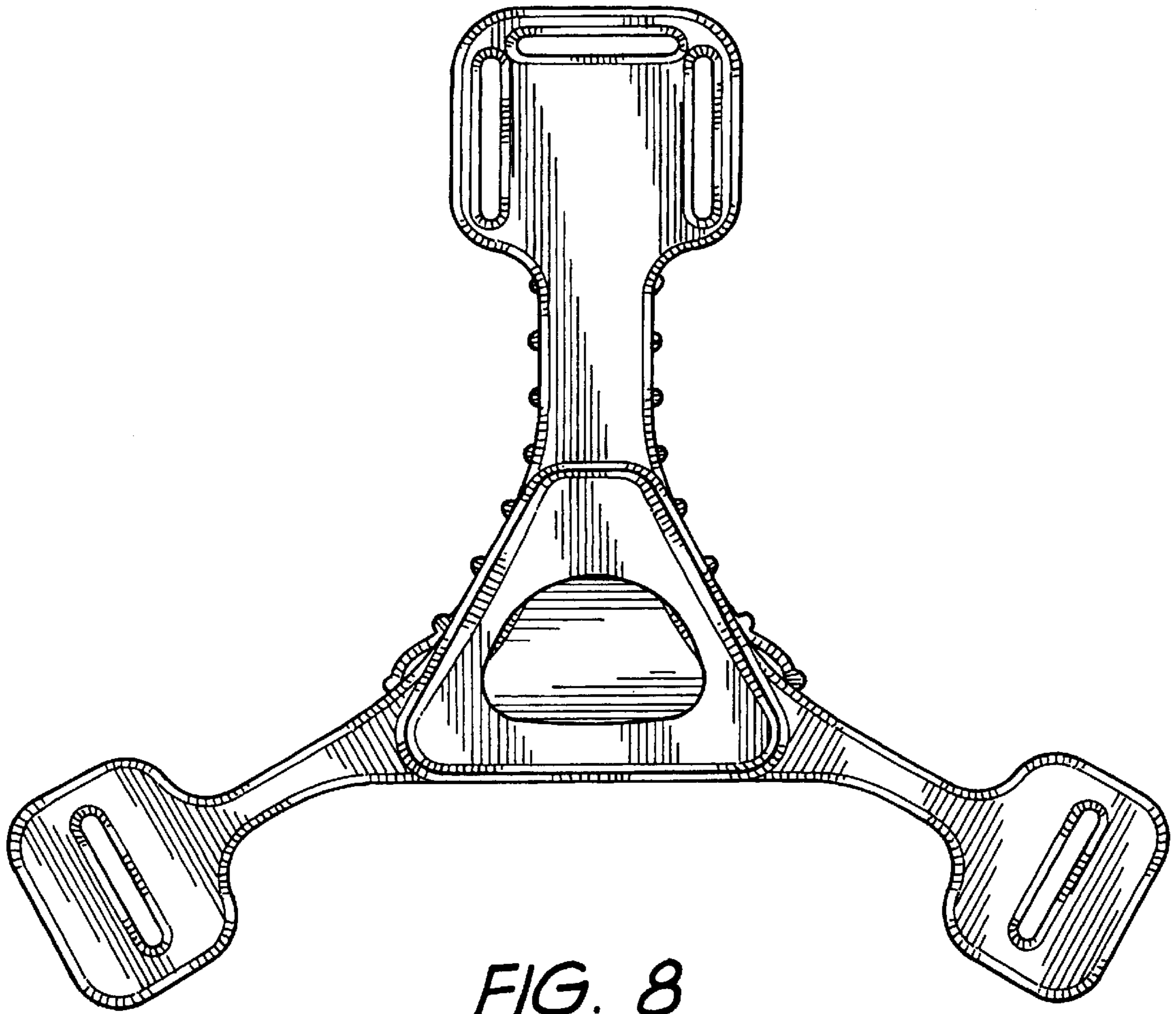


FIG. 8

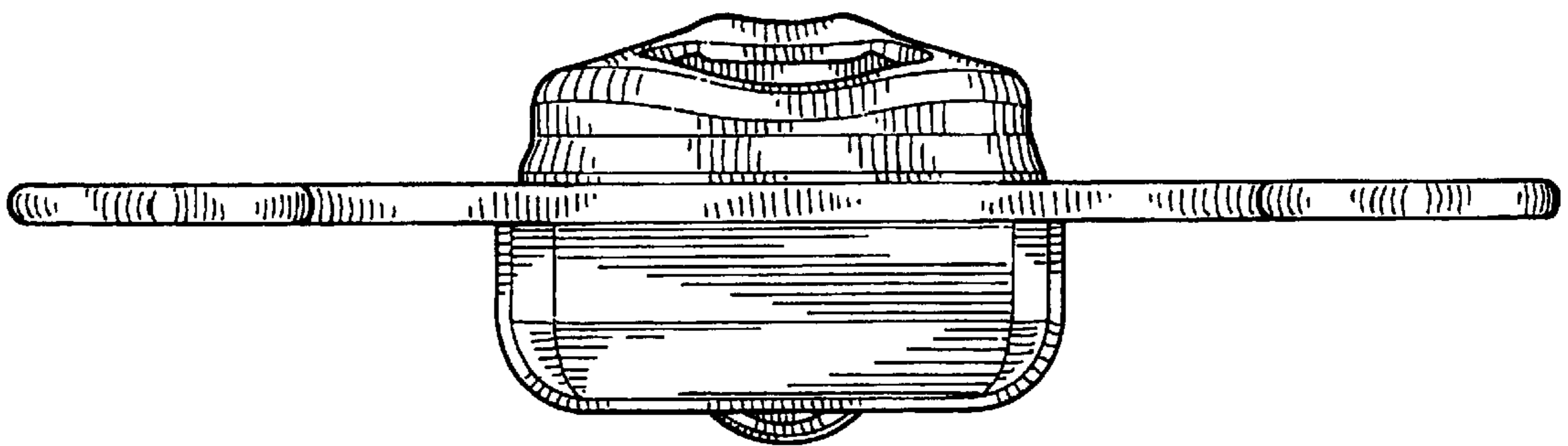


FIG. 12

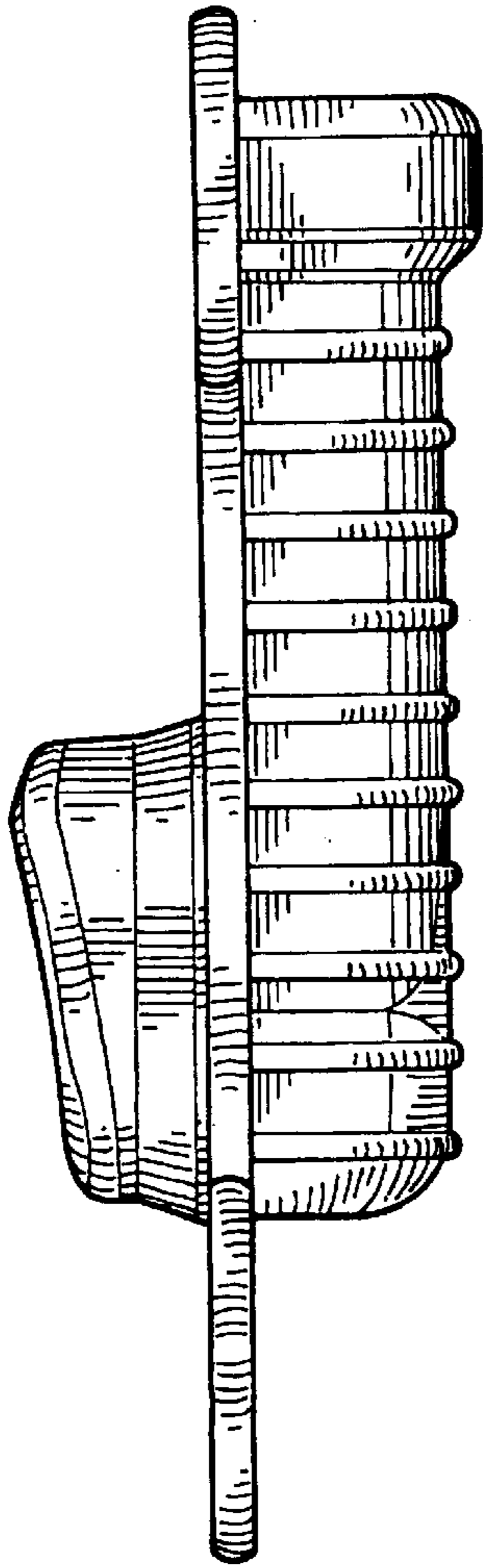


FIG. 10

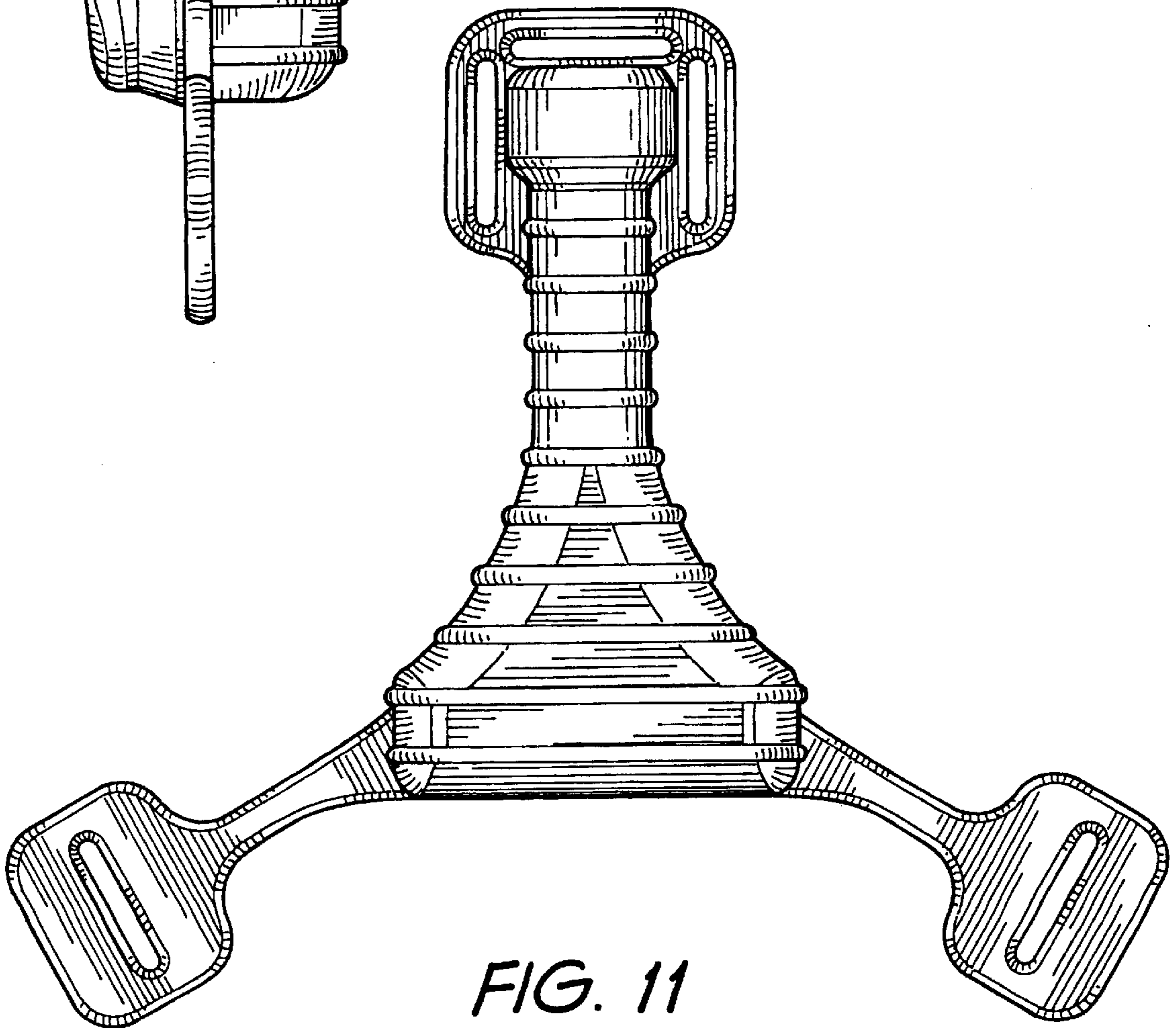


FIG. 11