



US00D447554B1

(12) **United States Design Patent**  
**Briggs et al.**

(10) **Patent No.:** **US D447,554 S**

(45) **Date of Patent:** **\*\* Sep. 4, 2001**

(54) **FLAME RETENTION HEAD FOR A WASTE OIL-BURNING SYSTEM**

(75) Inventors: **Eugene C. Briggs**, Dayton, OH (US);  
**Wayne Robertson**, Nashville, TN (US);  
**Christopher L. Gansel**, Hill City, KS (US)

(73) Assignee: **Black Gold Corporation**, Nashville, TN (US)

(\*\*) Term: **14 Years**

(21) Appl. No.: **29/127,906**

(22) Filed: **Aug. 14, 2000**

**Related U.S. Application Data**

(63) Continuation-in-part of application No. 09/575,279, filed on May 22, 2000.

(51) **LOC (7) Cl.** ..... **23-99**

(52) **U.S. Cl.** ..... **D23/416**

(58) **Field of Search** ..... D23/416, 421,  
D23/418; 126/247, 372, 379.2; 242/372,  
379.2; 431/208, 11, 90

(56) **References Cited**

**U.S. PATENT DOCUMENTS**

D. 34,676 \* 6/1901 Best ..... D23/418

D. 434,487	*	11/2000	Moroi et al. ....	D23/386
4,285,329	*	8/1981	Moline .....	126/247
4,487,571	*	12/1984	Robertson et al. ....	431/208
5,553,802	*	9/1996	Park et al. ....	242/372
5,879,149	*	3/1999	Briggs et al. ....	431/208

\* cited by examiner

*Primary Examiner*—Mitchell Siegel

(74) *Attorney, Agent, or Firm*—Michael E. McKee

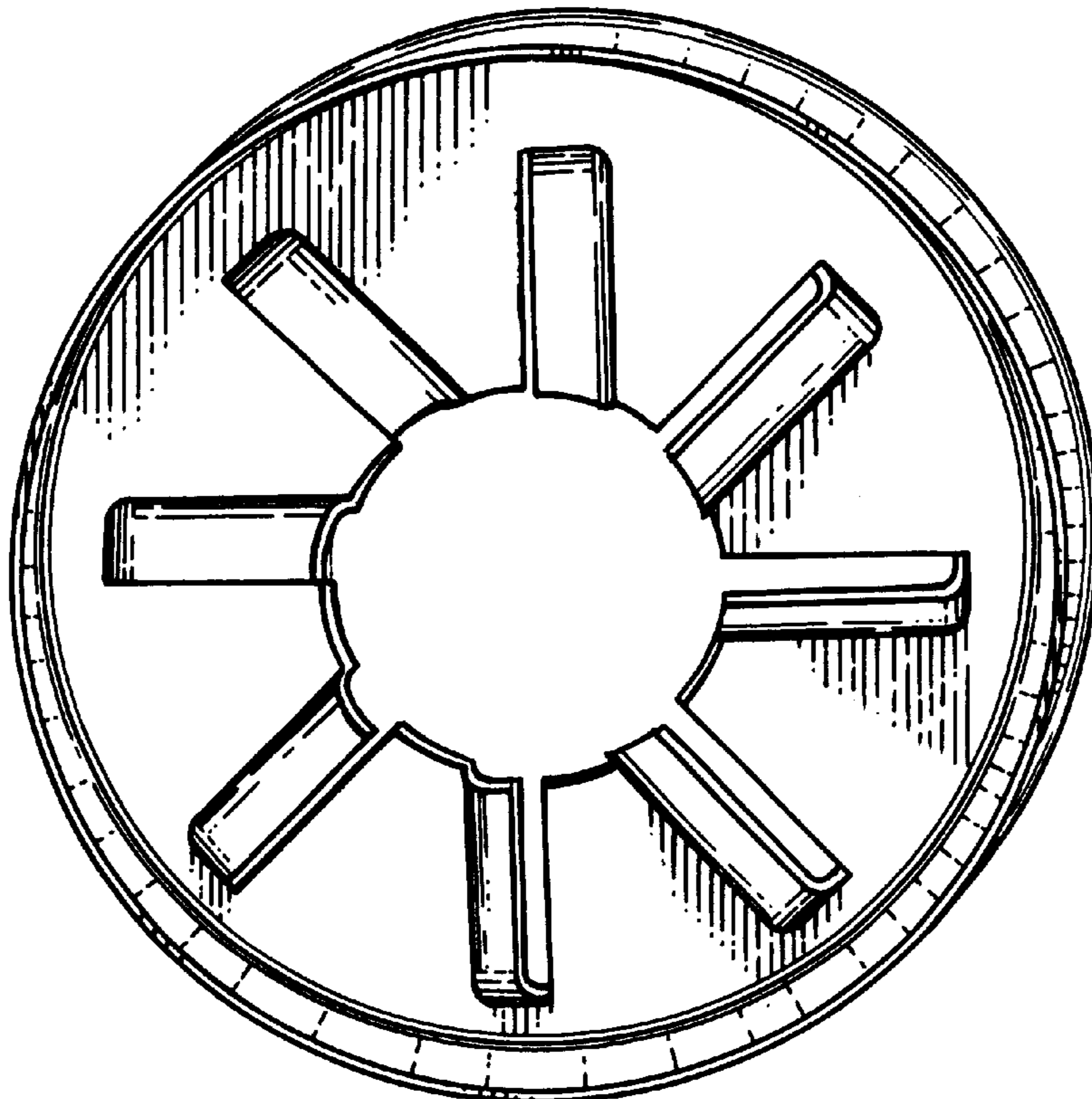
(57) **CLAIM**

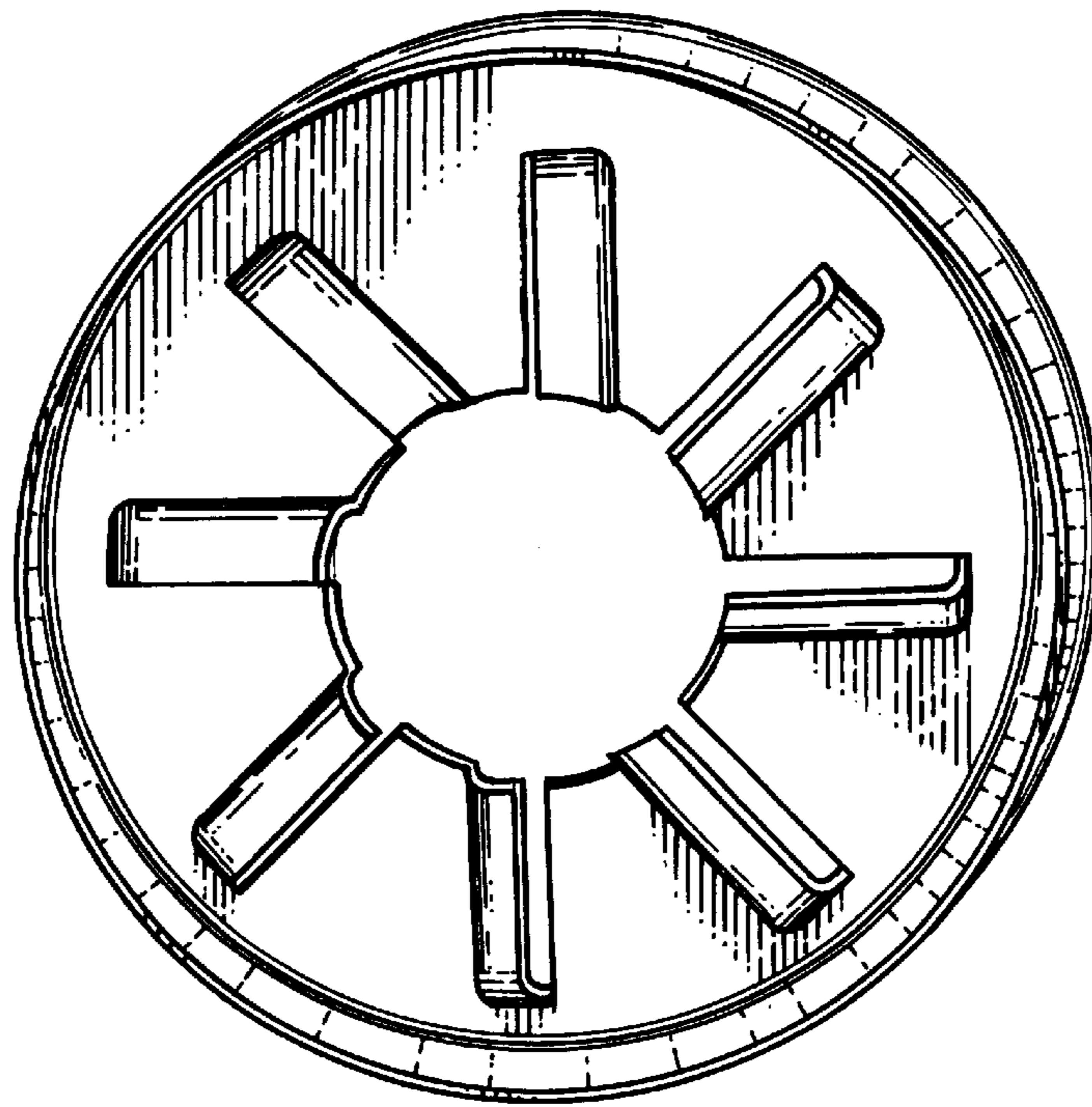
The ornamental design for a flame retention head for a waste oil-burning system, as shown and described.

**DESCRIPTION**

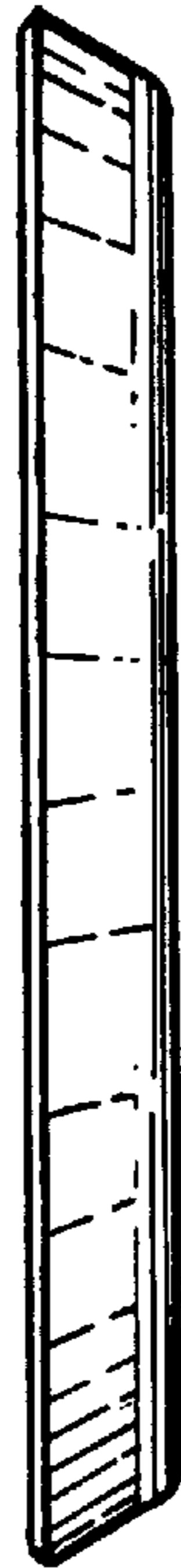
FIG. 1 is a perspective view of a flame retention head for a waste oil-burning system showing our new design; FIG. 2 is a side elevational view thereof, as seen generally from the right in FIG. 1, the opposite side view being a mirror image thereof, the top view being identical thereto when the FIG. 2 view is rotated counter-clockwise through ninety degrees, and the bottom view being identical thereto when the FIG. 2 view is rotated clockwise through ninety degrees; FIG. 3 is a front elevational view thereof; FIG. 4 is a rear elevational view thereof; and, FIG. 5 is a cross-sectional view taken about along line 5—5 of FIG. 4.

**1 Claim, 2 Drawing Sheets**

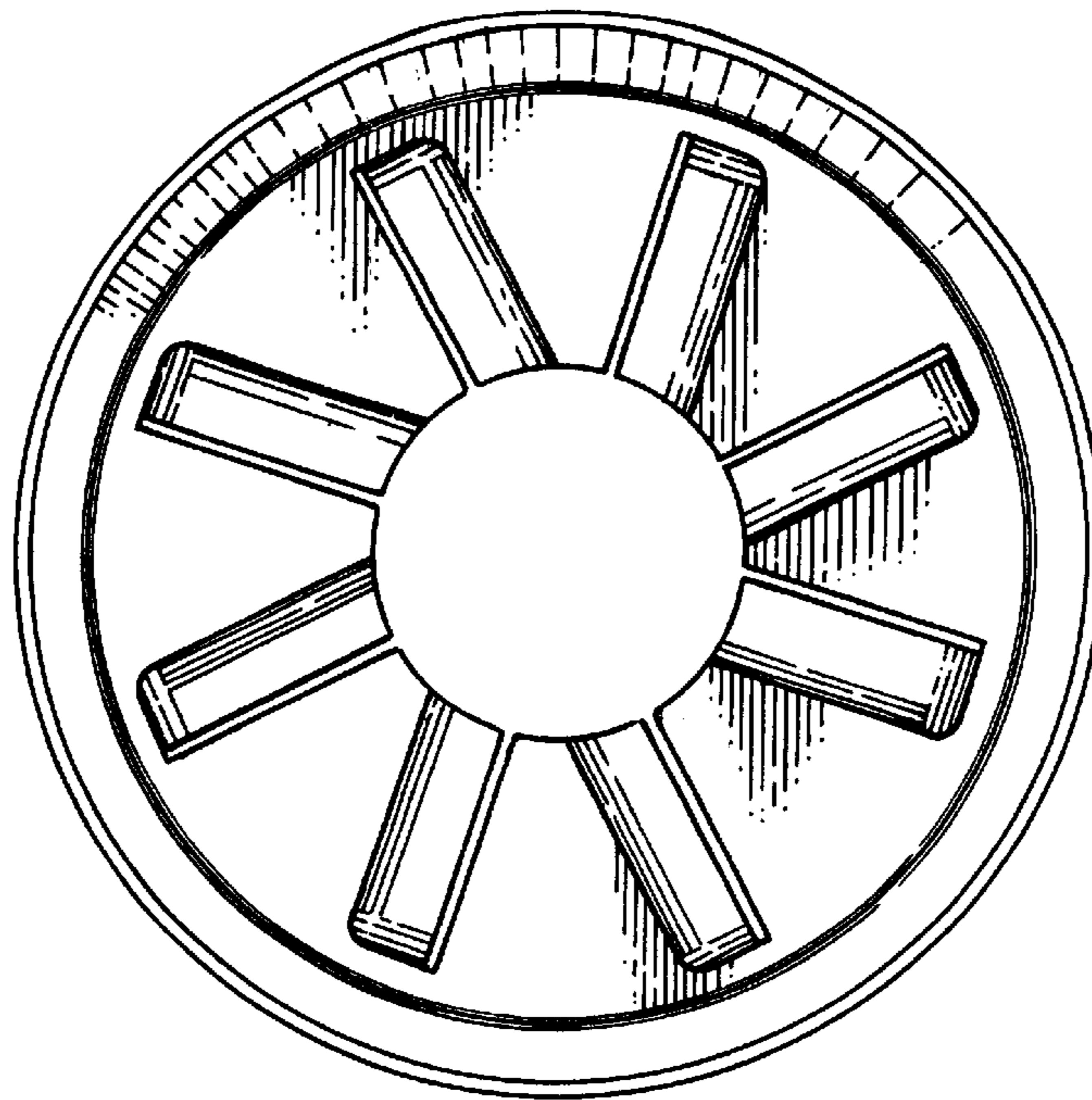




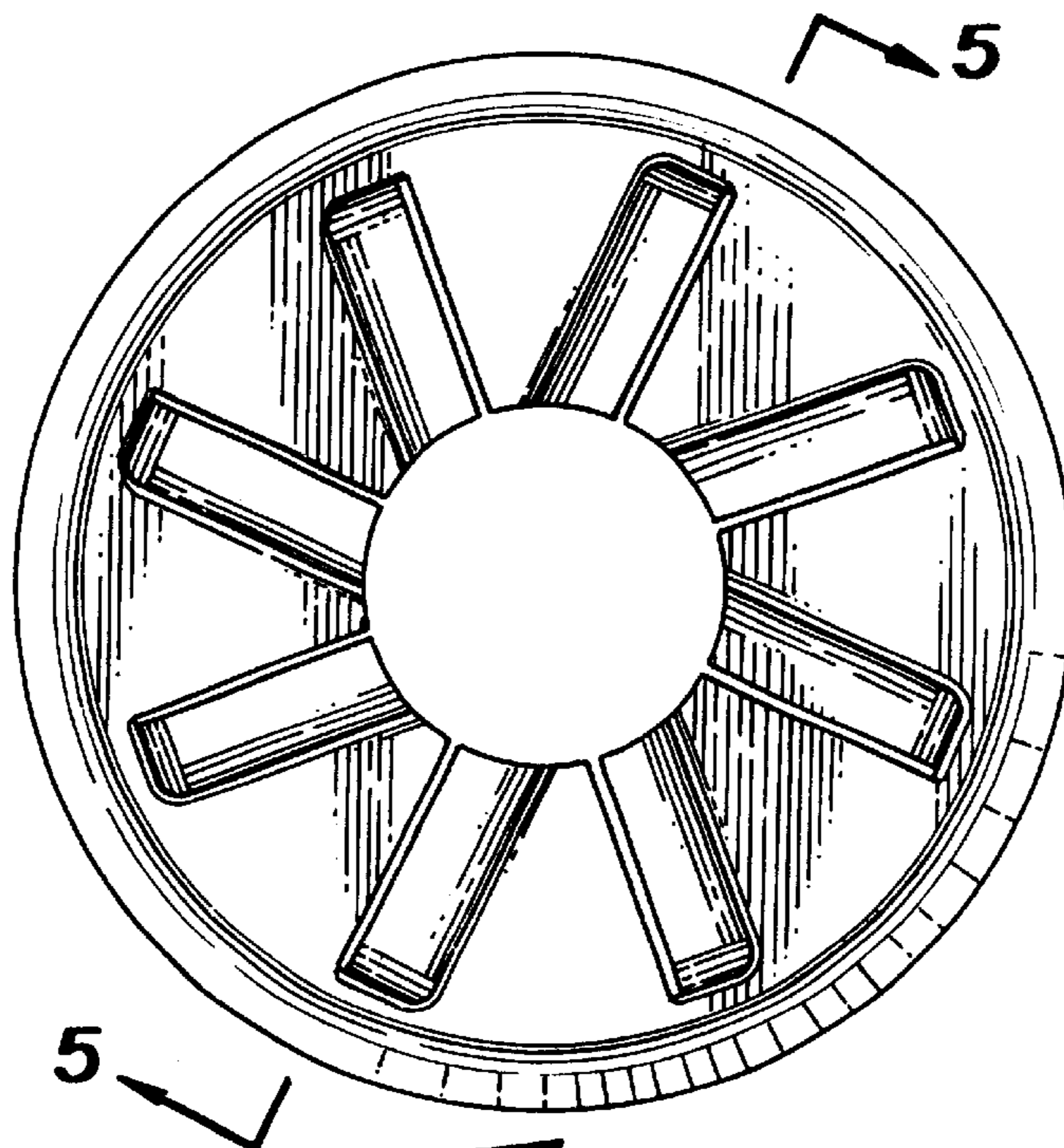
**Fig. 1**



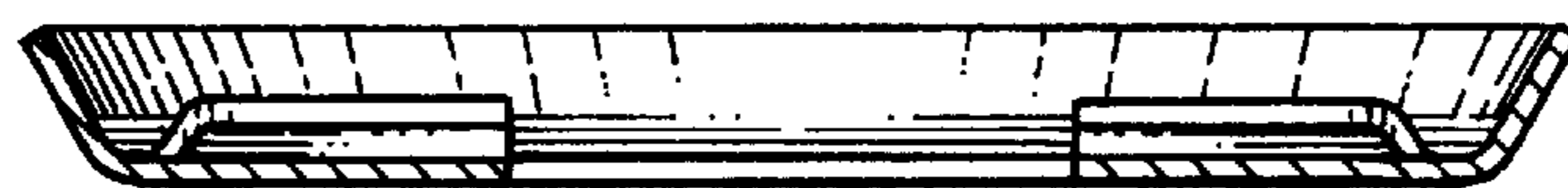
**Fig. 2**



**Fig. 3**



**Fig. 4**



**Fig. 5**