



US00D447552B1

(12) **United States Design Patent**  
**Lee et al.**

(10) **Patent No.:** **US D447,552 S**

(45) **Date of Patent:** **\*\* Sep. 4, 2001**

(54) **PORTABLE FAN**

(75) Inventors: **Don Lee**, Taipei (TW); **Kenneth Roach**, Ft. Lauderdale, FL (US)

(73) Assignee: **Atico International USA, Inc.**, Ft. Lauderdale, FL (US)

(\*\*) Term: **14 Years**

(21) Appl. No.: **29/118,406**

(22) Filed: **Feb. 8, 2000**

(51) **LOC (7) Cl.** ..... **23-04**

(52) **U.S. Cl.** ..... **D23/382; D23/411**

(58) **Field of Search** ..... D23/411, 382,  
D23/381, 370, 332, 413; 416/247 R, 246,  
244 R

(56) **References Cited**

**U.S. PATENT DOCUMENTS**

- D. 294,968 3/1988 Shin-Chin .
- D. 295,070 4/1988 Shin-Chin .
- D. 306,903 3/1990 Shin-Chin .
- D. 309,944 8/1990 Chiu .
- D. 336,512 6/1993 Cunning .
- D. 354,127 1/1995 Cunning .
- D. 397,192 8/1998 Chiu et al. .

- D. 397,417 8/1998 Jané et al. .
- D. 397,779 9/1998 Marvin .
- D. 398,982 9/1998 Jané et al. .
- D. 402,363 12/1998 Birdsell et al. .
- D. 405,520 2/1999 Birdsell et al. .
- D. 421,114 2/2000 Lozzio et al. .

*Primary Examiner*—Lisa Lichtenstein

(74) *Attorney, Agent, or Firm*—Cobrin & Gittes

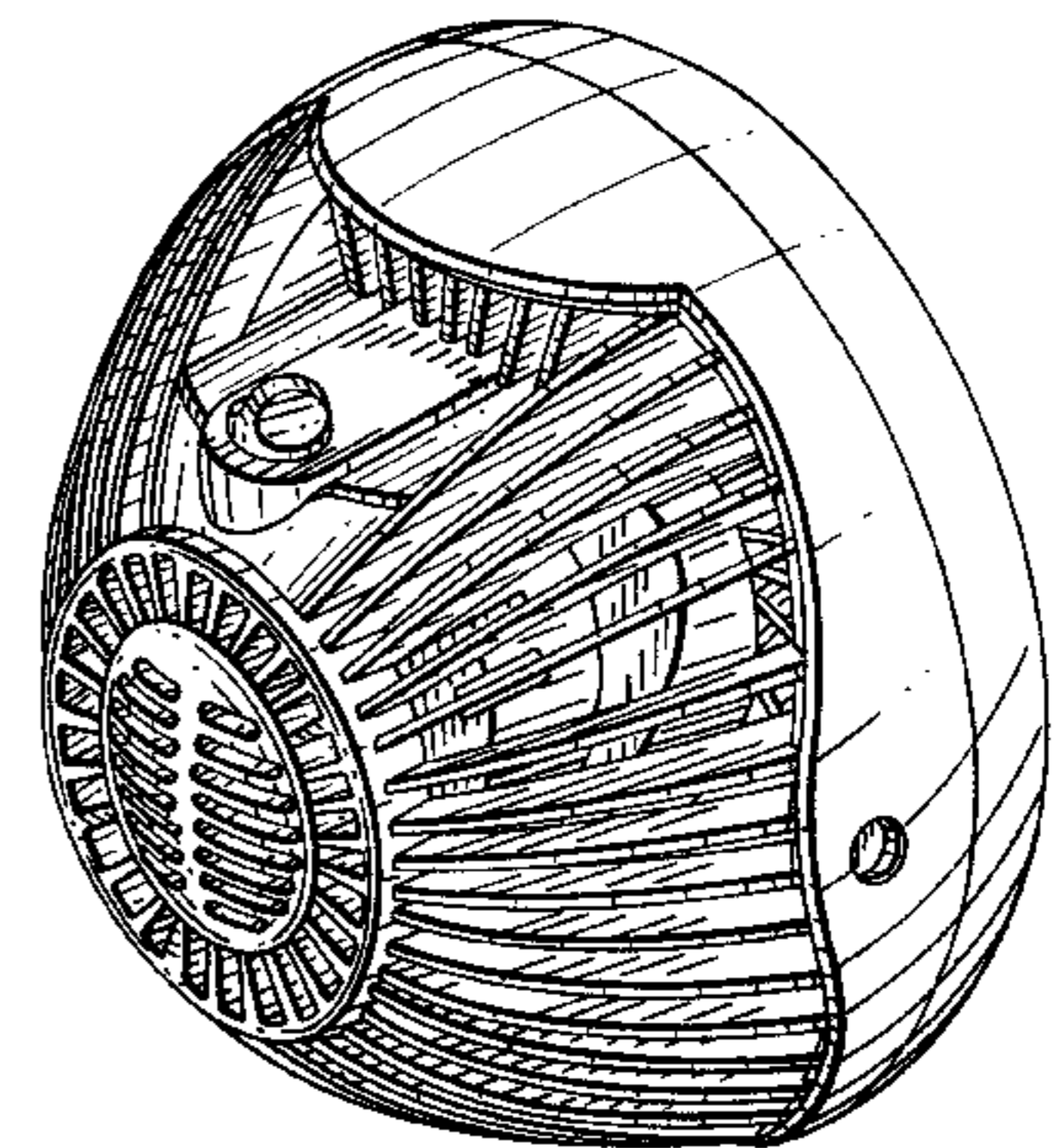
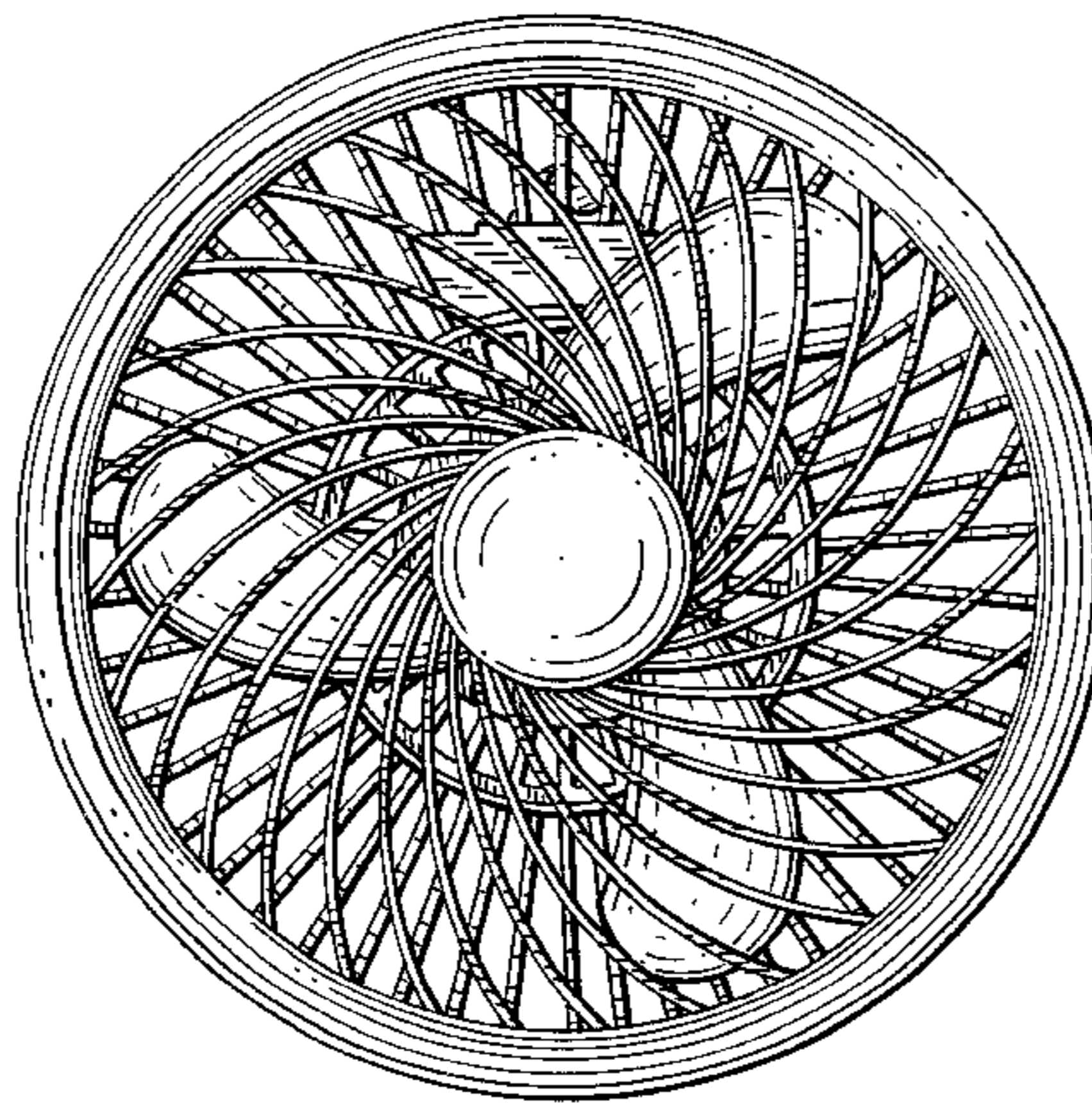
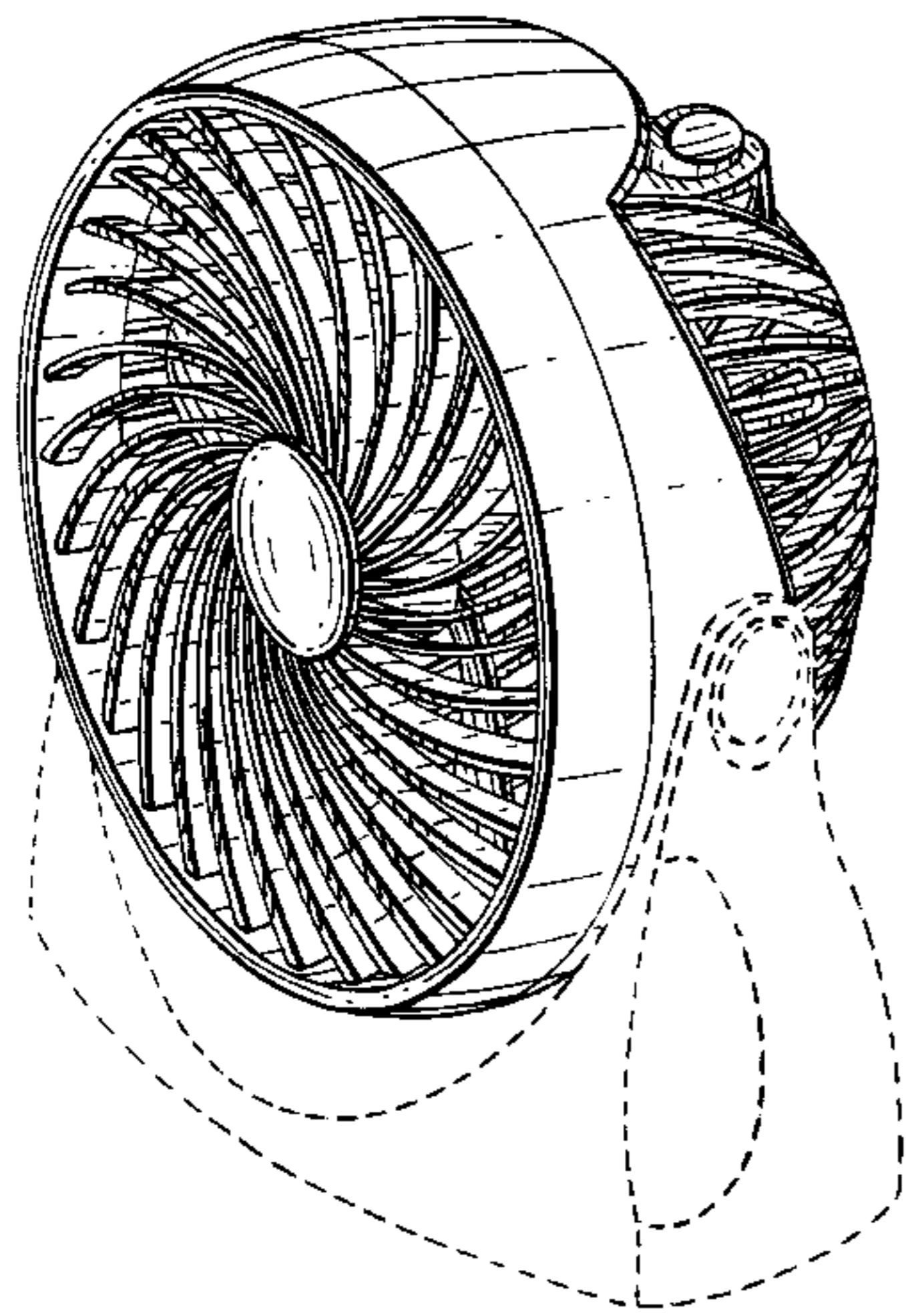
(57) **CLAIM**

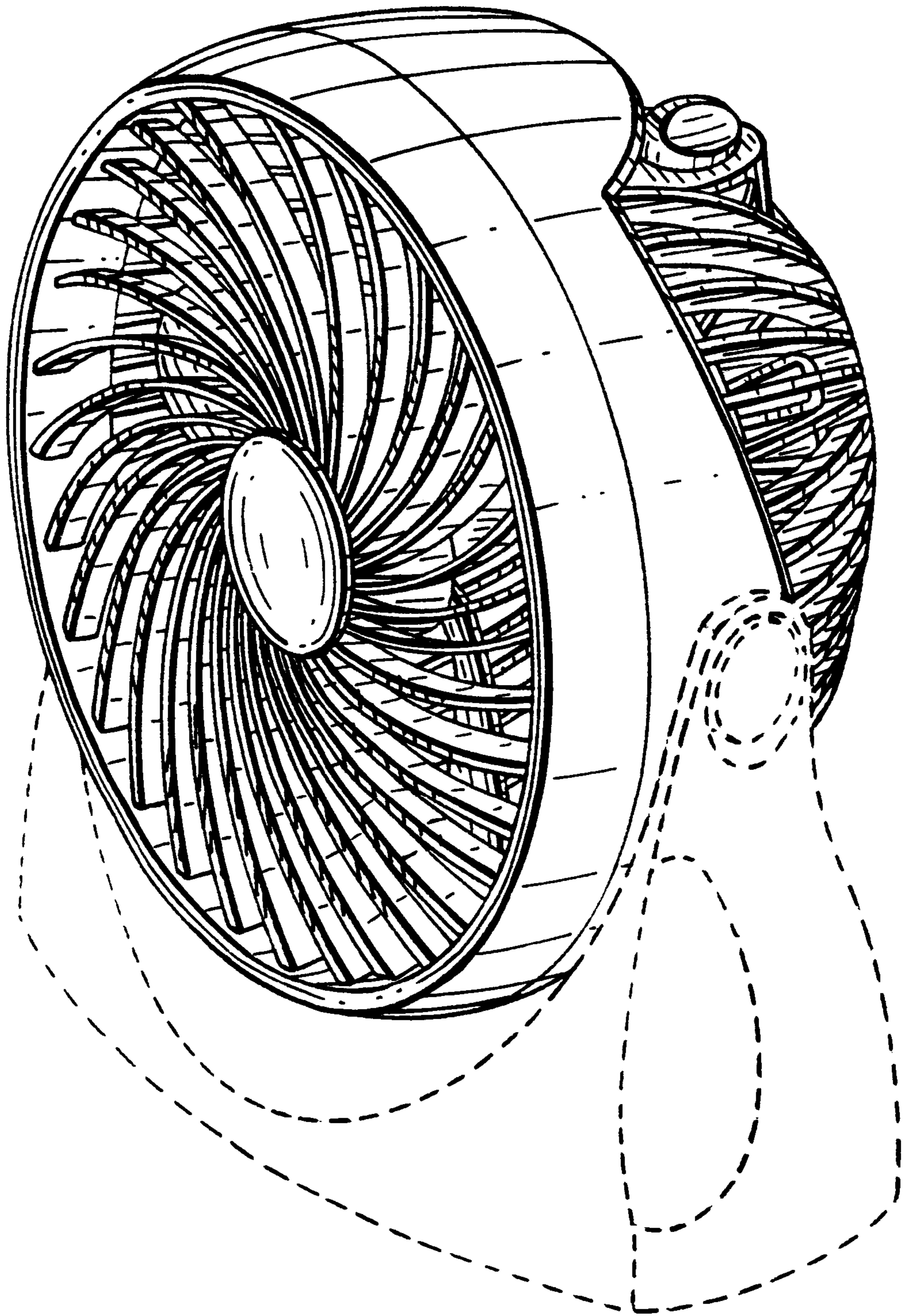
The ornamental design for a portable fan, as shown and described.

**DESCRIPTION**

FIG. 1 is a top, front and right side perspective view of a portable fan in accordance with our invention;  
 FIG. 2 is a top plan view thereof;  
 FIG. 3 is a front view thereof;  
 FIG. 4 is a right side view thereof that is identical/symmetrical to the left side thereof;  
 FIG. 5 is a rear view thereof;  
 FIG. 6 is a bottom plan view thereof; and,  
 FIG. 7 is a top, rear and left side perspective view thereof.  
 The broken line showing of environmental structure in FIG. 1 is for illustrative purposes only and forms no part of the claimed design.

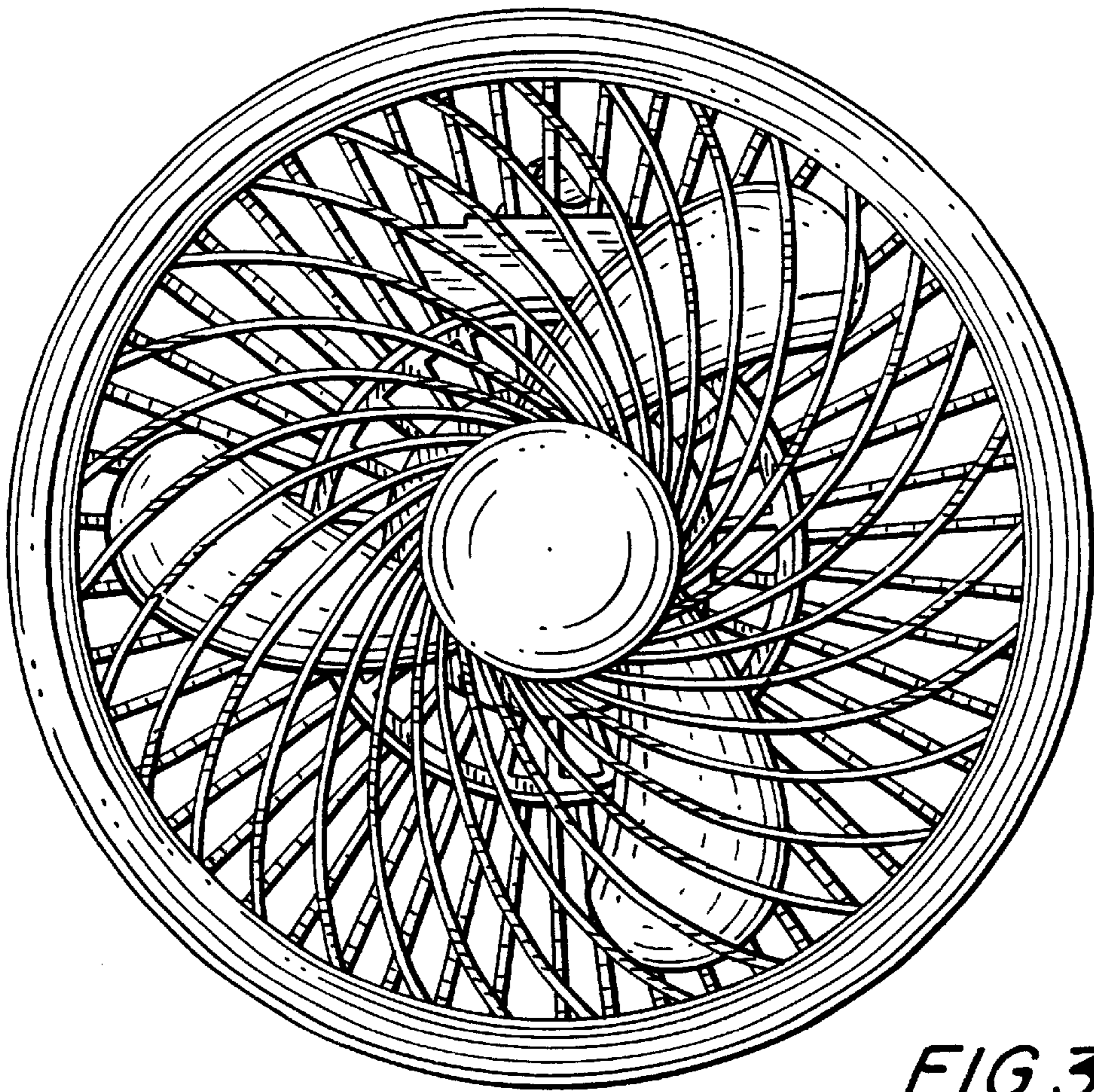
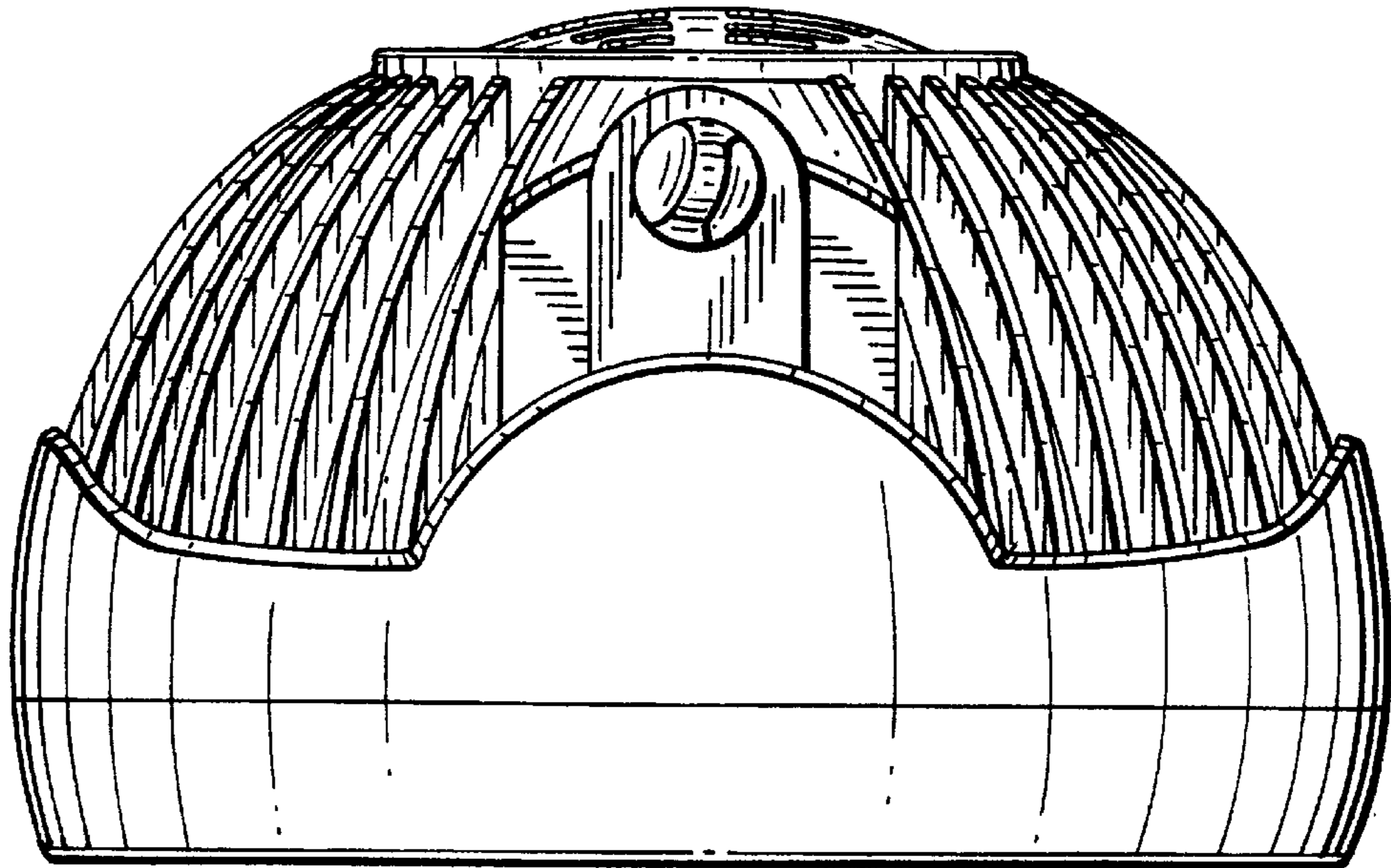
**1 Claim, 4 Drawing Sheets**





*FIG. 1*

*FIG. 2*

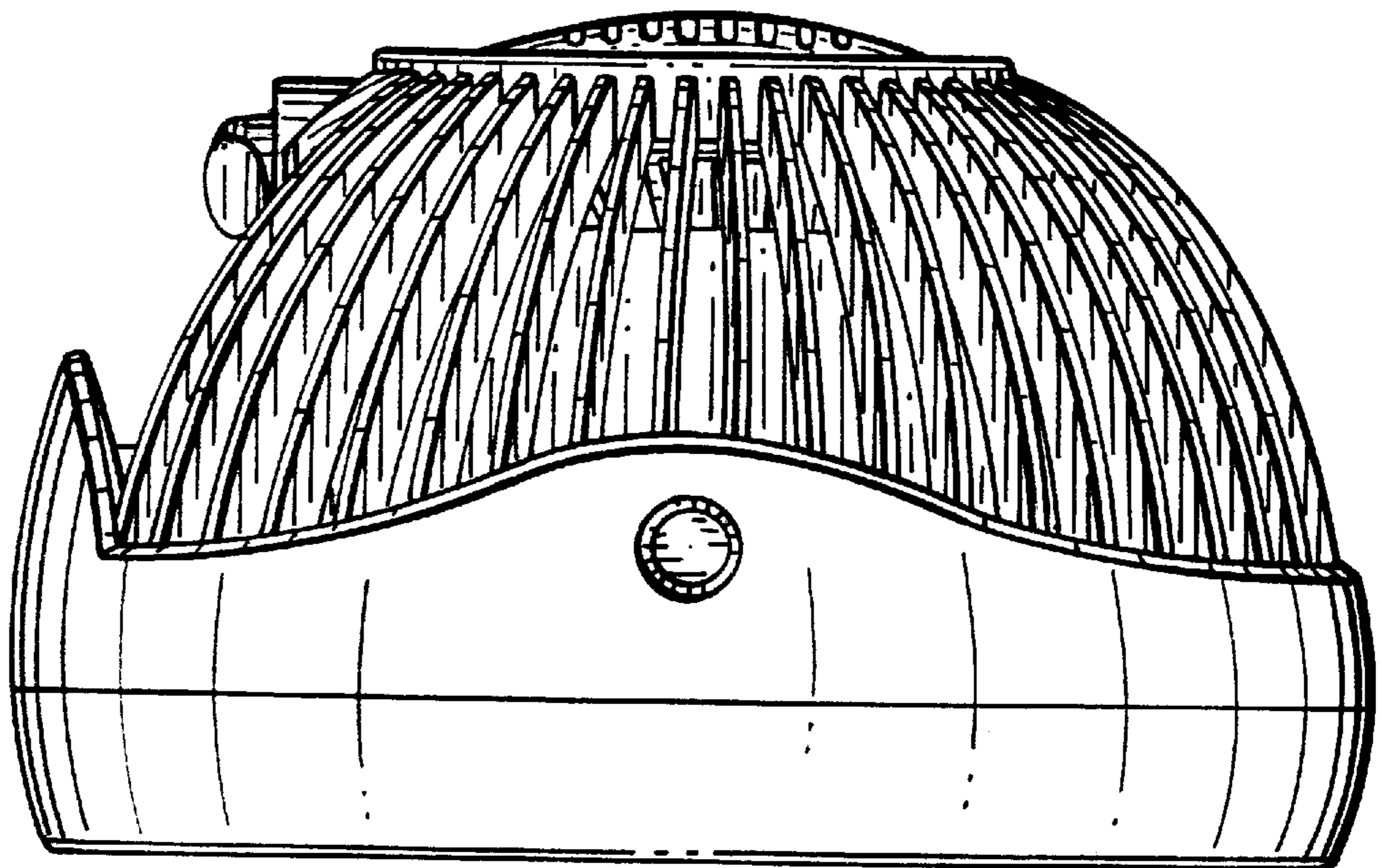


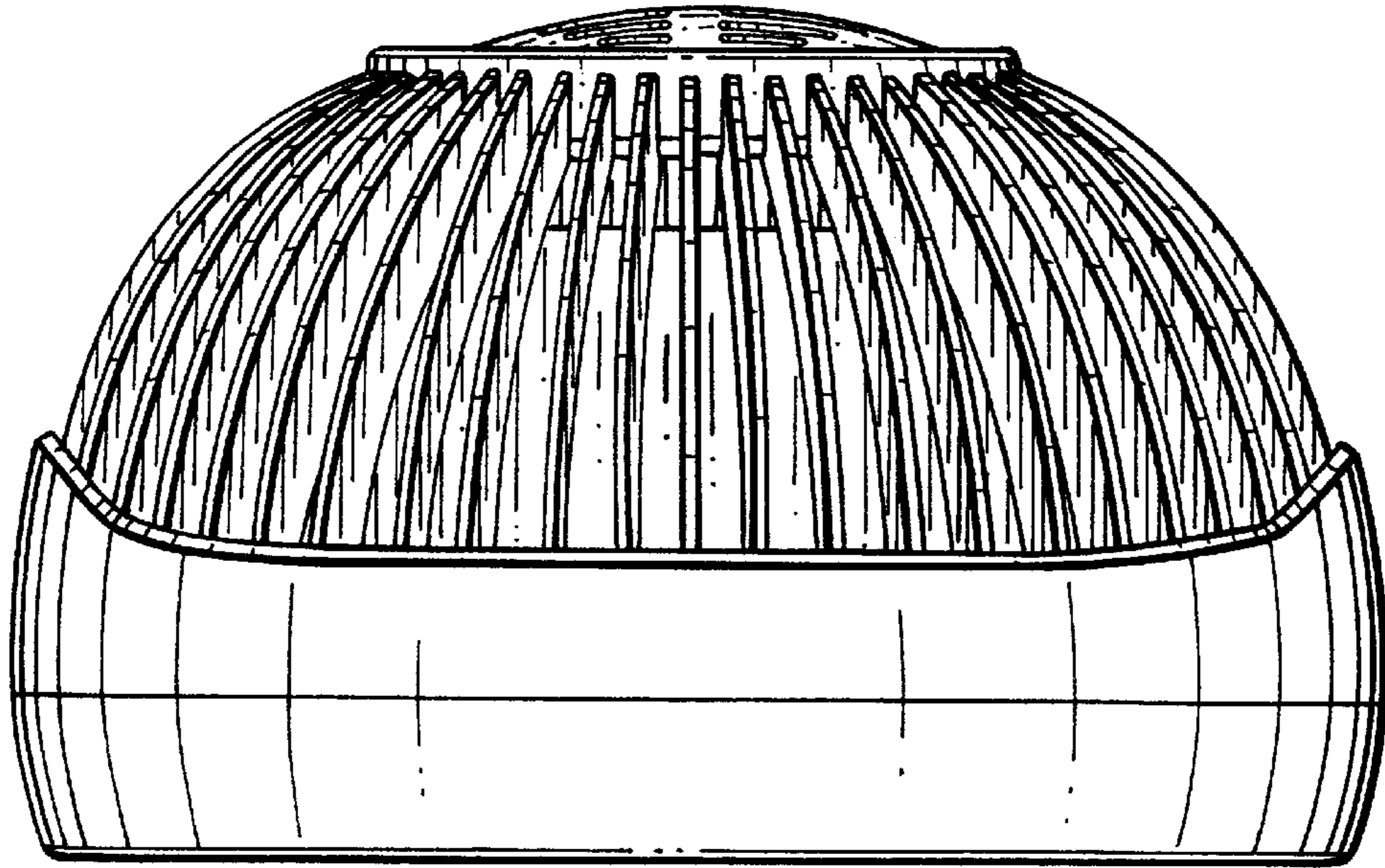
*FIG. 3*

FIG. 5

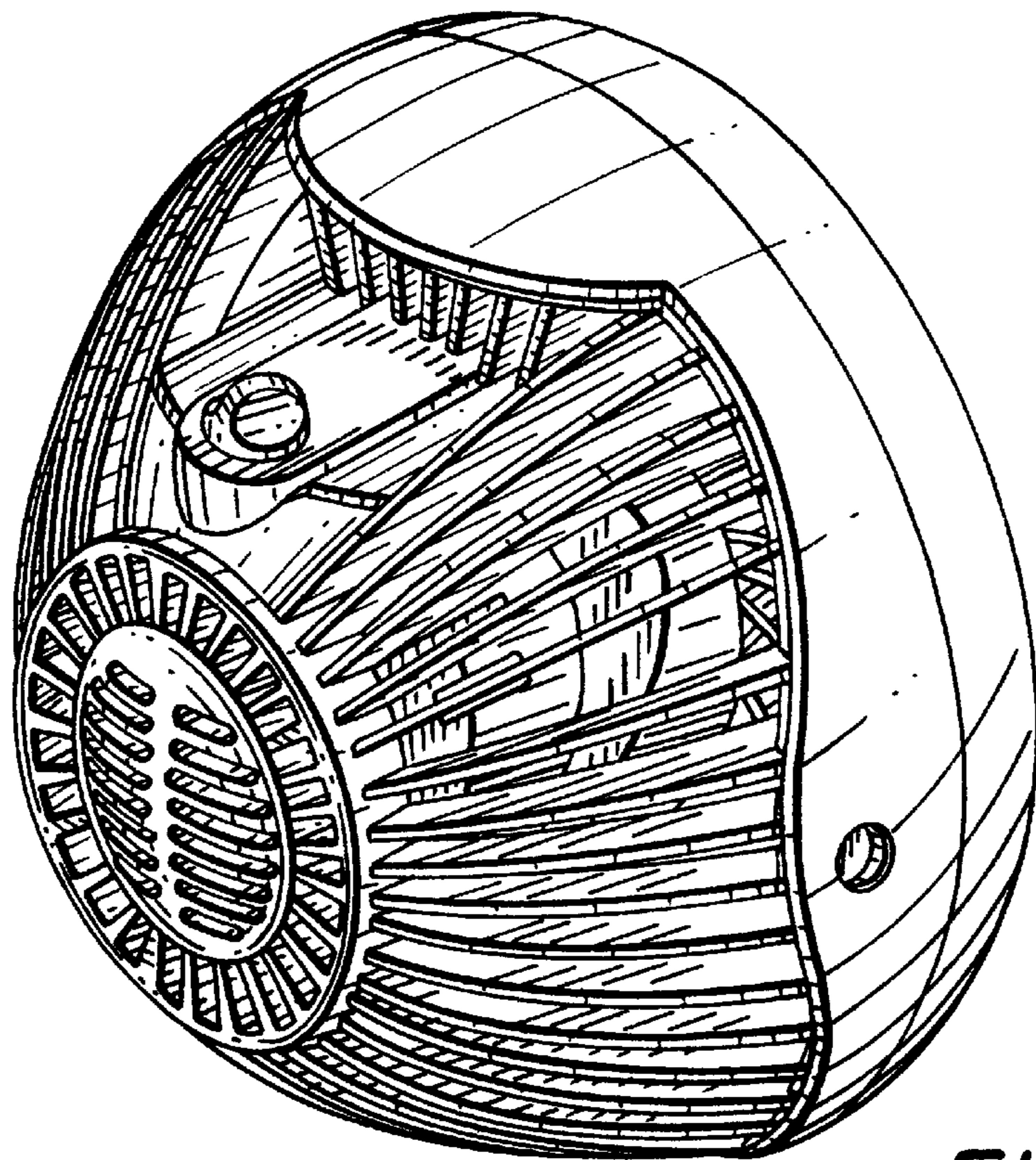


FIG. 4





*FIG. 6*



*FIG. 7*