



US00D447550B1

(12) **United States Design Patent**
Basagañas

(10) **Patent No.:** **US D447,550 S**

(45) **Date of Patent:** **** Sep. 4, 2001**

(54) **SUBSTANCE EVAPORATOR**

(75) Inventor: **Jordi Basagañas**, Cerdanyola del Valles (ES)

(73) Assignee: **DBK Espana, S.A.**, Cerdanyola del Valles (ES)

(**) Term: **14 Years**

(21) Appl. No.: **29/095,804**

(22) Filed: **Oct. 30, 1998**

(30) **Foreign Application Priority Data**

Aug. 14, 1998 (ES) 143455

(51) **LOC (7) Cl.** **23-04**

(52) **U.S. Cl.** **D23/366**

(58) **Field of Search** D23/366-369,
D23/360, 356-363; 428/305, 125; D9/529;
239/136, 135; 392/395, 403, 405, 392

(56) **References Cited**

U.S. PATENT DOCUMENTS

D. 335,530 * 5/1993 Schimanski D23/366

* cited by examiner

Primary Examiner—Lisa Lichtenstein

(74) *Attorney, Agent, or Firm*—Helfgott & Karas, P.C.

(57) **CLAIM**

The ornamental design for a substance evaporator, as shown and described.

DESCRIPTION

FIG. 1 is a front view thereof;

FIG. 2 is a right side view thereof;

FIG. 3 is a rear view thereof;

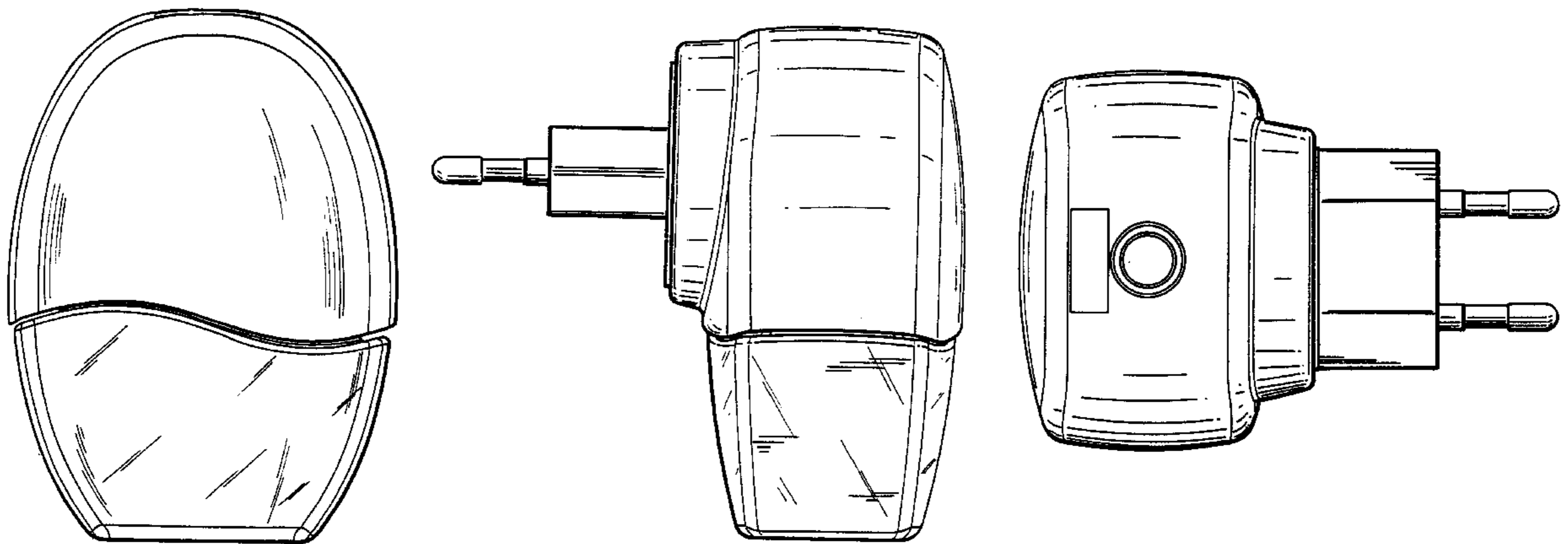
FIG. 4 is a left side view thereof;

FIG. 5 is a top view thereof;

FIG. 6 is a bottom view thereof; and,

FIG. 7 is an exploded front view thereof.

1 Claim, 4 Drawing Sheets



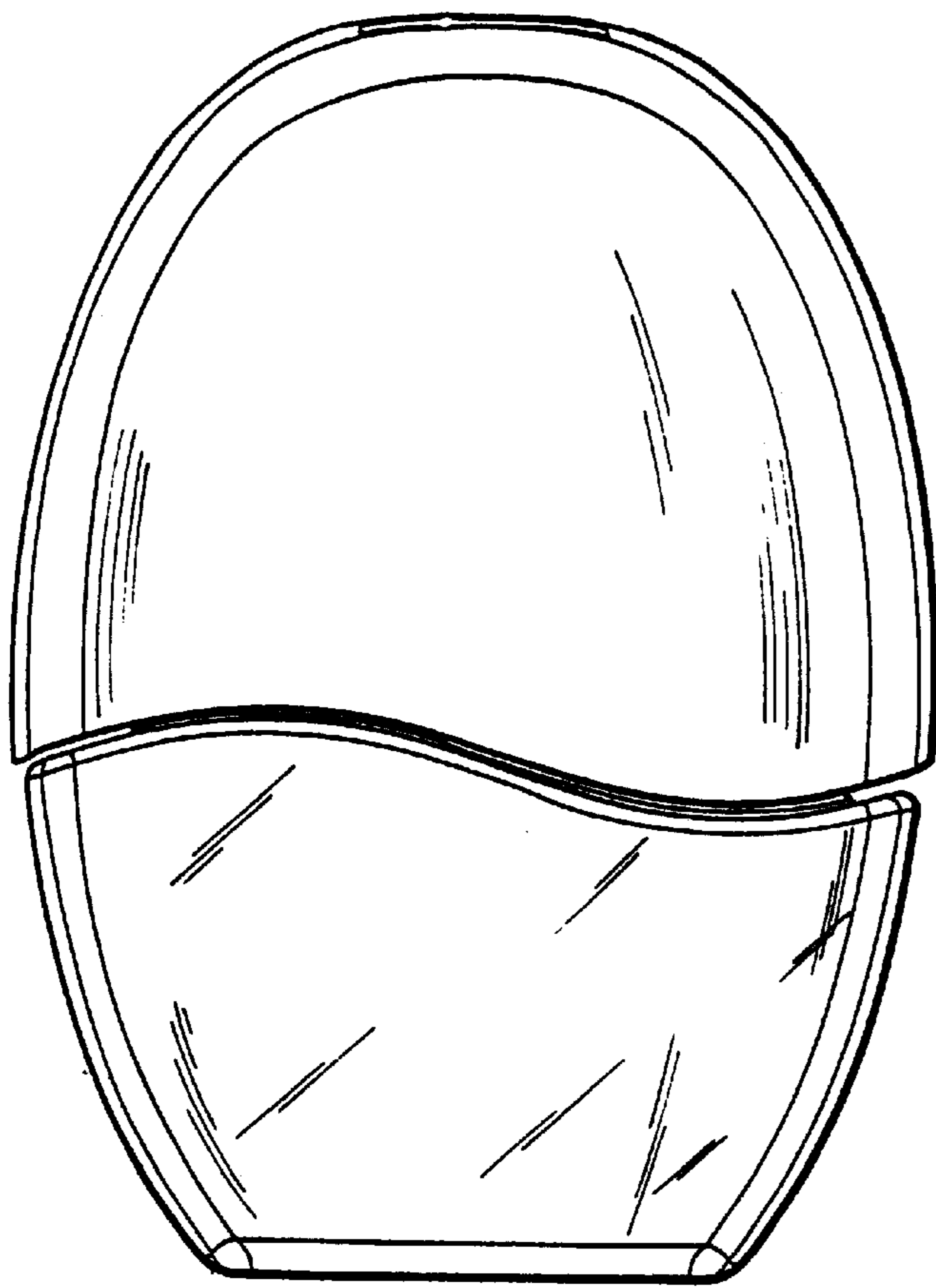


FIG. 1

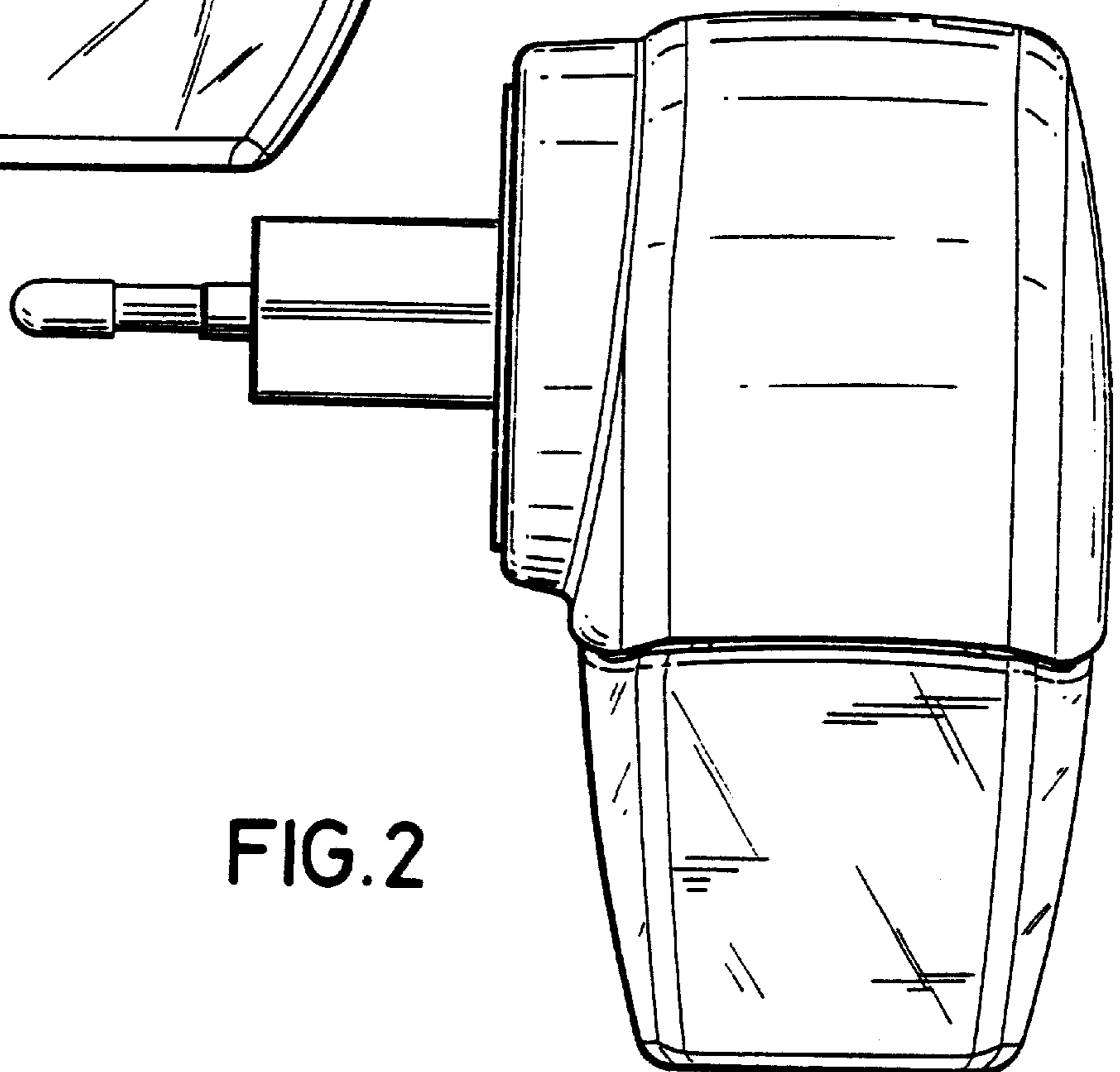


FIG. 2

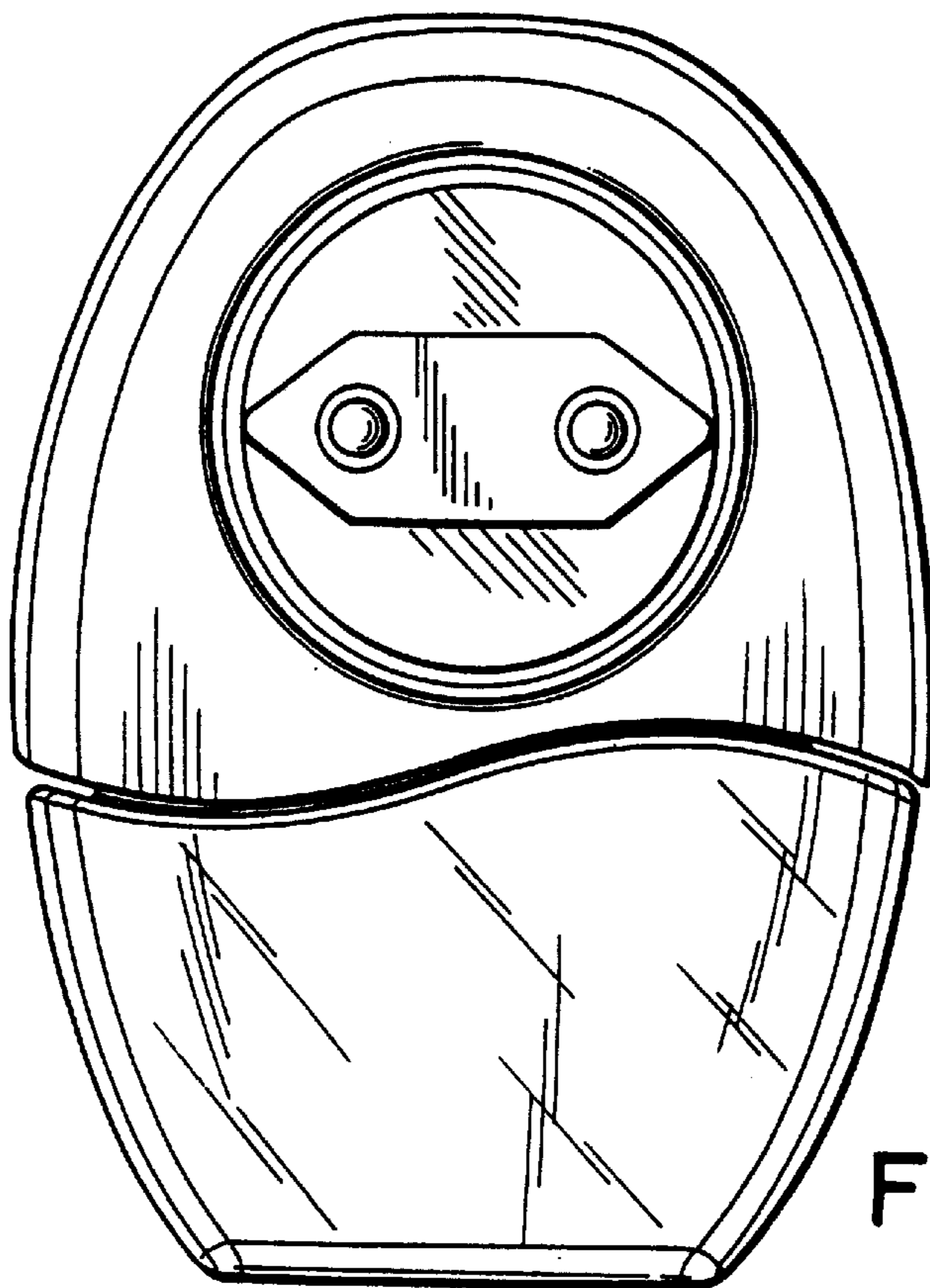


FIG. 3

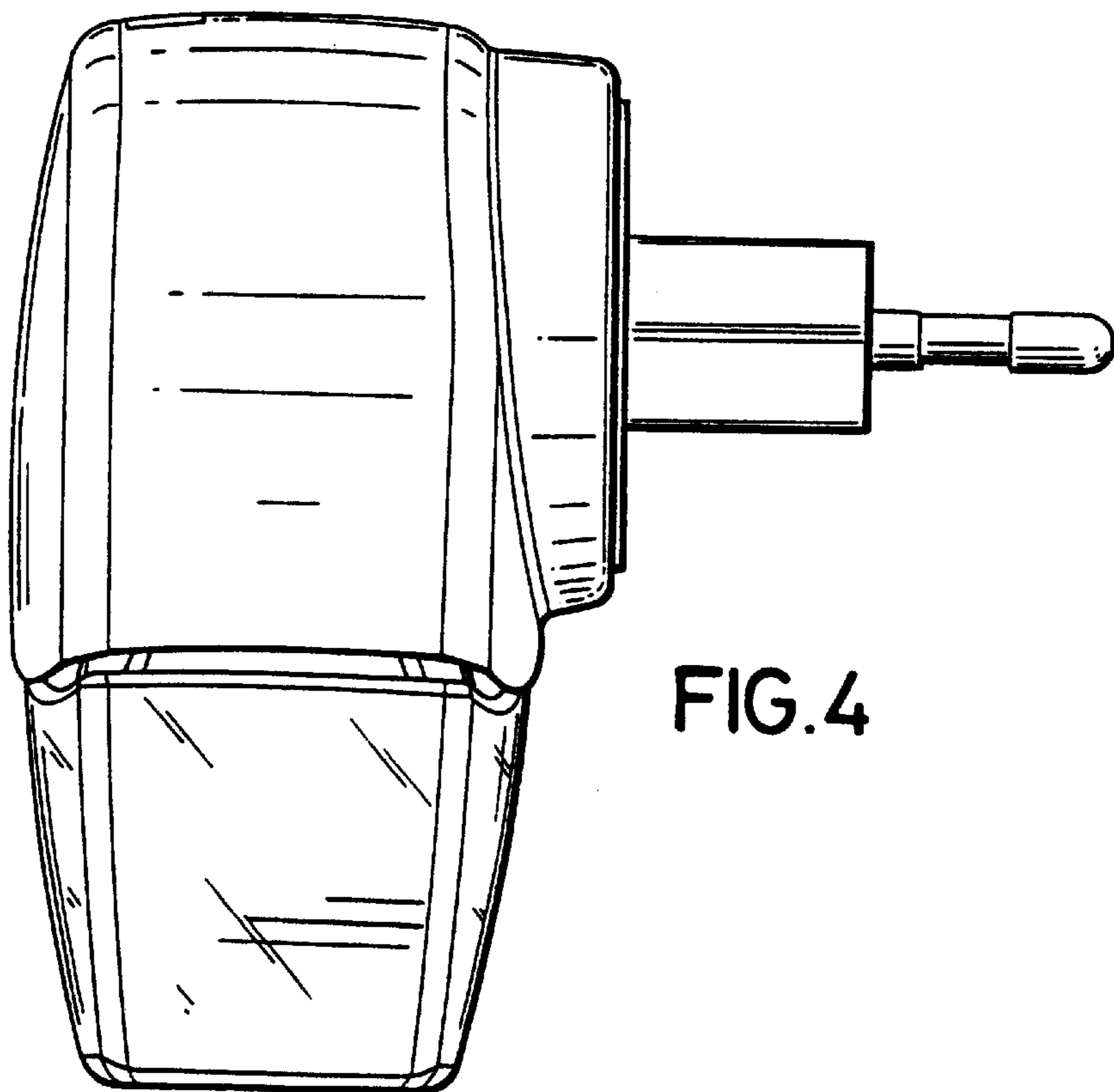


FIG. 4

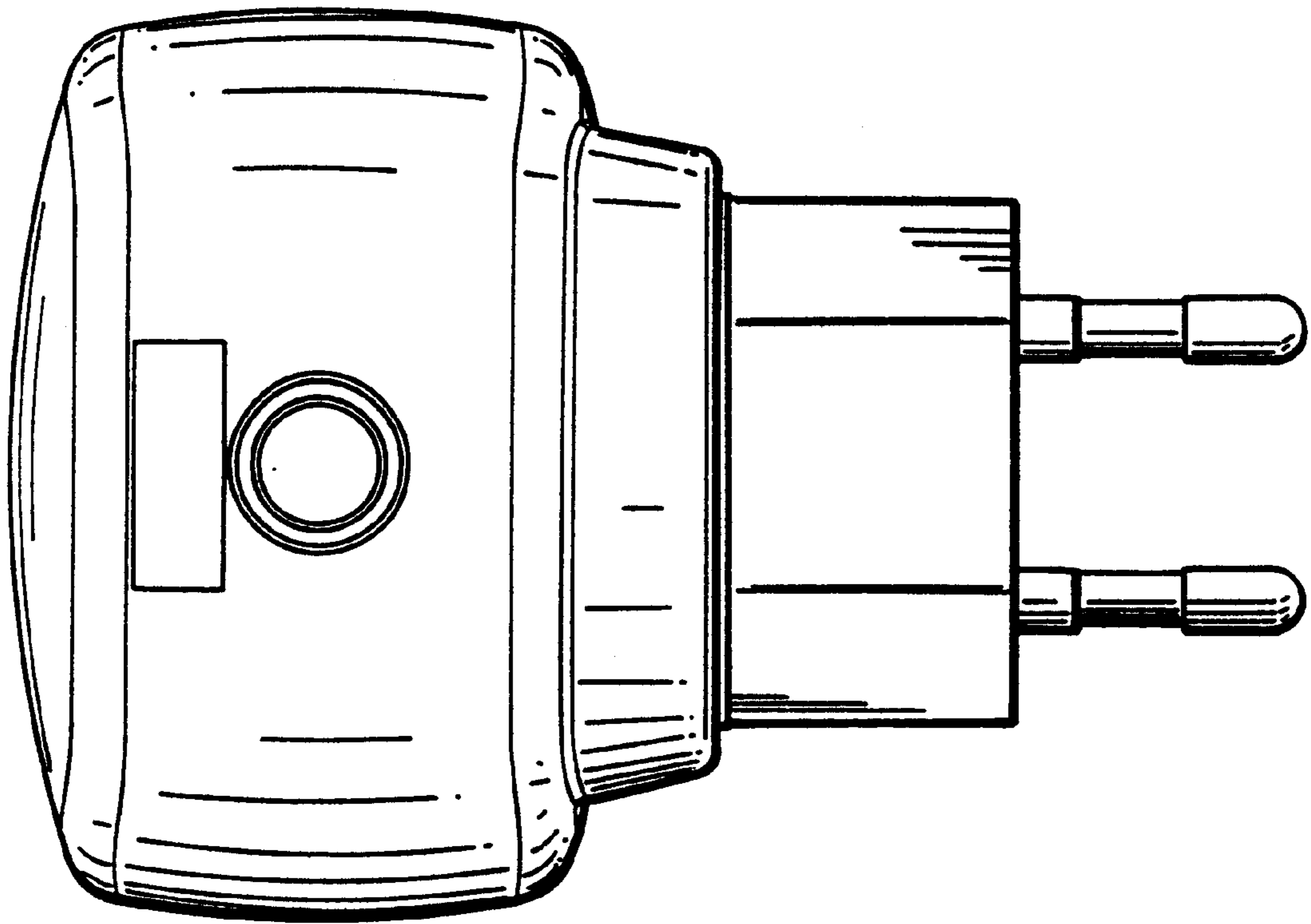


FIG. 5

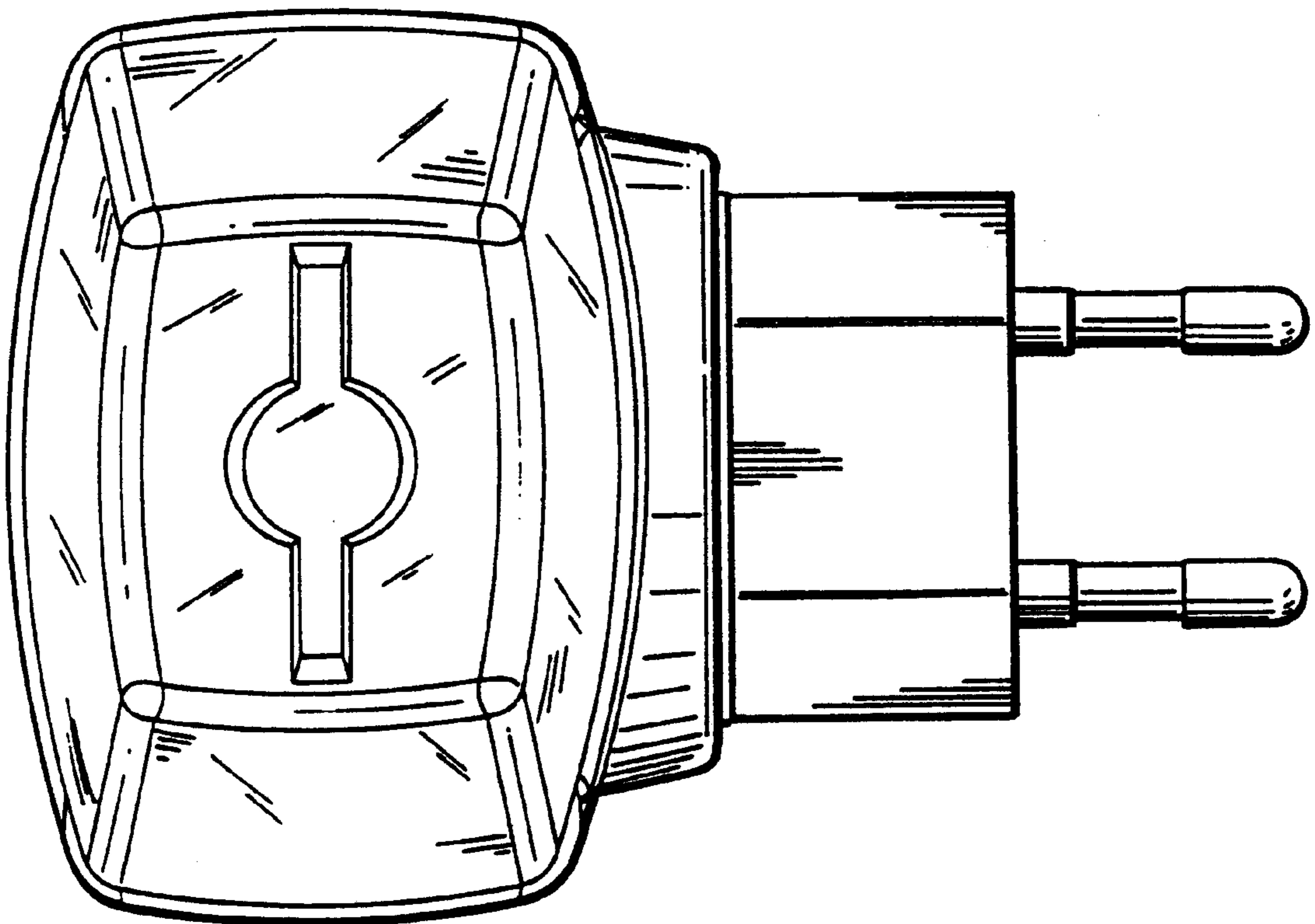


FIG. 6

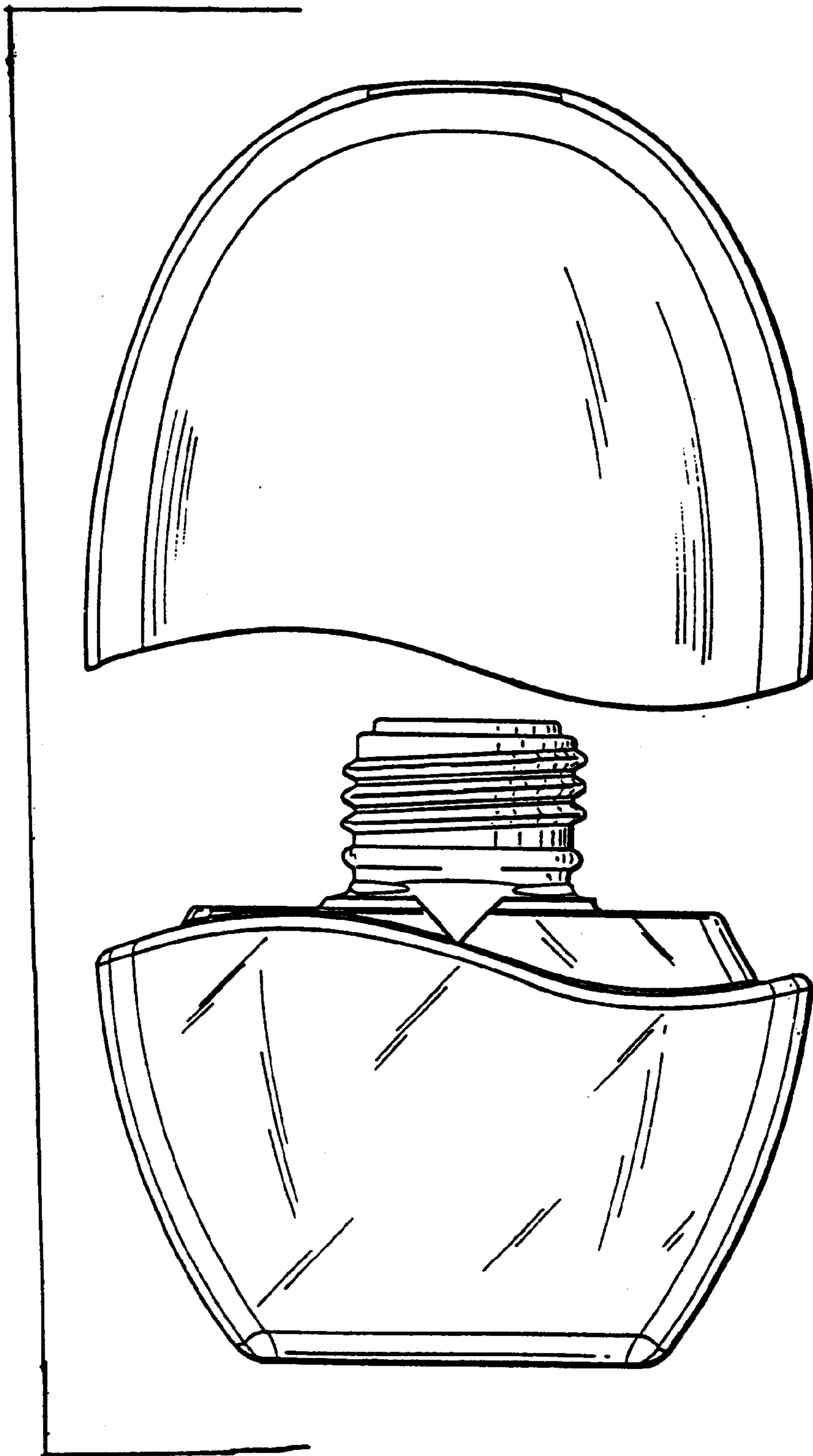


FIG.7