



US00D447549B1

(12) **United States Design Patent**
Gieseke et al.

(10) **Patent No.:** **US D447,549 S**
(45) **Date of Patent:** **** Sep. 4, 2001**

- (54) **FILTER FRAME HOLDING FLEXIBLE, IRREGULAR MEDIA**
- (75) Inventors: **Steven Scott Gieseke**, Richfield;
Wayne R. W. Bishop, St. Louis Park,
both of MN (US)
- (73) Assignee: **Donaldson Company, Inc.**,
Minneapolis, MN (US)
- (**) Term: **14 Years**
- (21) Appl. No.: **29/101,306**
- (22) Filed: **Feb. 26, 1999**
- (51) **LOC (7) Cl.** **23-04**
- (52) **U.S. Cl.** **D23/365**
- (58) **Field of Search** D23/365; 55/500,
55/501

5,902,361 5/1999 Pomplun et al. .
5,958,097 9/1999 Schlör et al. .

FOREIGN PATENT DOCUMENTS

997684 9/1976 (CA) .
2155522 5/1973 (DE) .
0 113 565 7/1984 (EP) .
WO 99/47237 9/1999 (WO) .

* cited by examiner

Primary Examiner—Lisa Lichtenstein
(74) *Attorney, Agent, or Firm*—Merchant & Gould P.C.

(57) **CLAIM**

The ornamental design for filter frame holding flexible, irregular media, as shown and described.

DESCRIPTION

FIG. 1 is a perspective view, showing our new design of a filter frame holding flexible, irregular media;
 FIG. 2 is a top plan view of the filter frame holding flexible, irregular media depicted in FIG. 1;
 FIG. 3 is a side elevational view of the filter frame holding flexible, irregular media depicted in FIG. 1, all other side elevational views having a similar appearance thereto; the flexible, irregular media providing some variation in appearance;
 FIG. 4 is a bottom plan view of the filter frame holding flexible, irregular media depicted in FIG. 1;
 FIG. 5 is a perspective view of a second embodiment of a filter frame holding flexible, irregular media, the filter media being lined to indicate that it has a blue color;
 FIG. 6 is a top plan view of the filter frame holding flexible, irregular media depicted in FIG. 5;
 FIG. 7 is a side elevational view of the filter frame holding flexible, irregular media depicted in FIG. 5, all other side elevational views having a similar appearance thereto; the flexible, irregular media providing some variation in appearance; and,
 FIG. 8 is a bottom plan view of the filter frame holding flexible, irregular media depicted in FIG. 5.

(56) **References Cited**
U.S. PATENT DOCUMENTS

3,019,854	2/1962	O'Bryant .	
3,209,917	10/1965	Yelinek .	
3,676,242	7/1972	Prentice .	
3,807,150	4/1974	Maracle .	
3,831,765	8/1974	Flynn et al. .	
3,841,953	10/1974	Lohkamp et al. .	
3,849,241	11/1974	Butin et al. .	
3,878,014	4/1975	Melead .	
4,322,231	3/1982	Hilzendeger et al. .	
4,449,993	5/1984	Bergeron .	
4,521,233	6/1985	Vossen .	
4,999,038	3/1991	Lundberg .	
5,547,480	8/1996	Coulonvaux .	
5,672,399	9/1997	Kahlbaugh et al. .	
5,714,126	2/1998	Frund .	
5,730,766	3/1998	Clements .	
5,736,045 *	4/1998	Bies et al.	210/497
5,755,844	5/1998	Arai et al. .	
5,800,587	9/1998	Kahlbaugh et al. .	
5,863,482	1/1999	Schlör et al. .	
5,893,945	4/1999	Hunsinger et al. .	
5,897,676	4/1999	Engel et al. .	

1 Claim, 4 Drawing Sheets

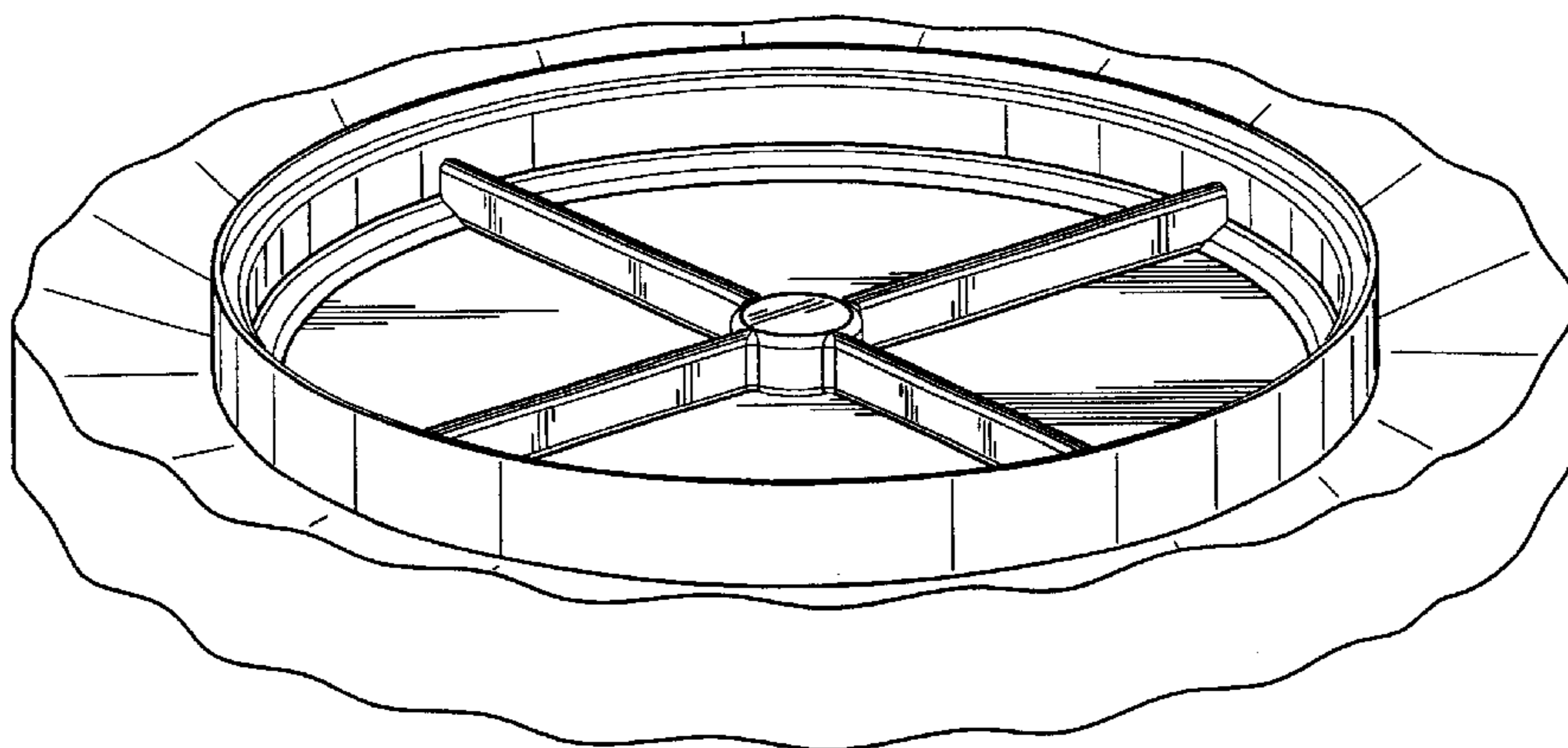


FIG. 1

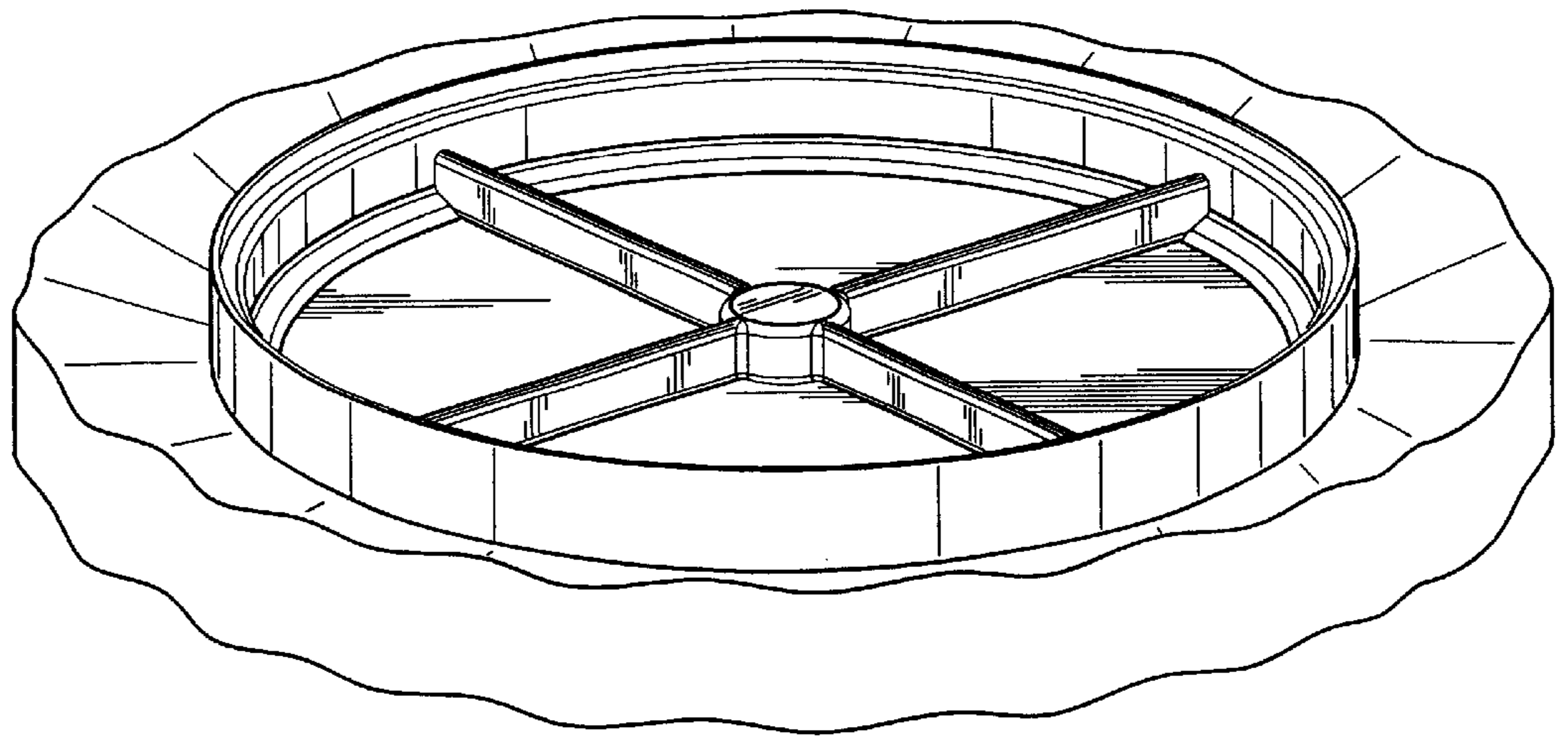


FIG. 2

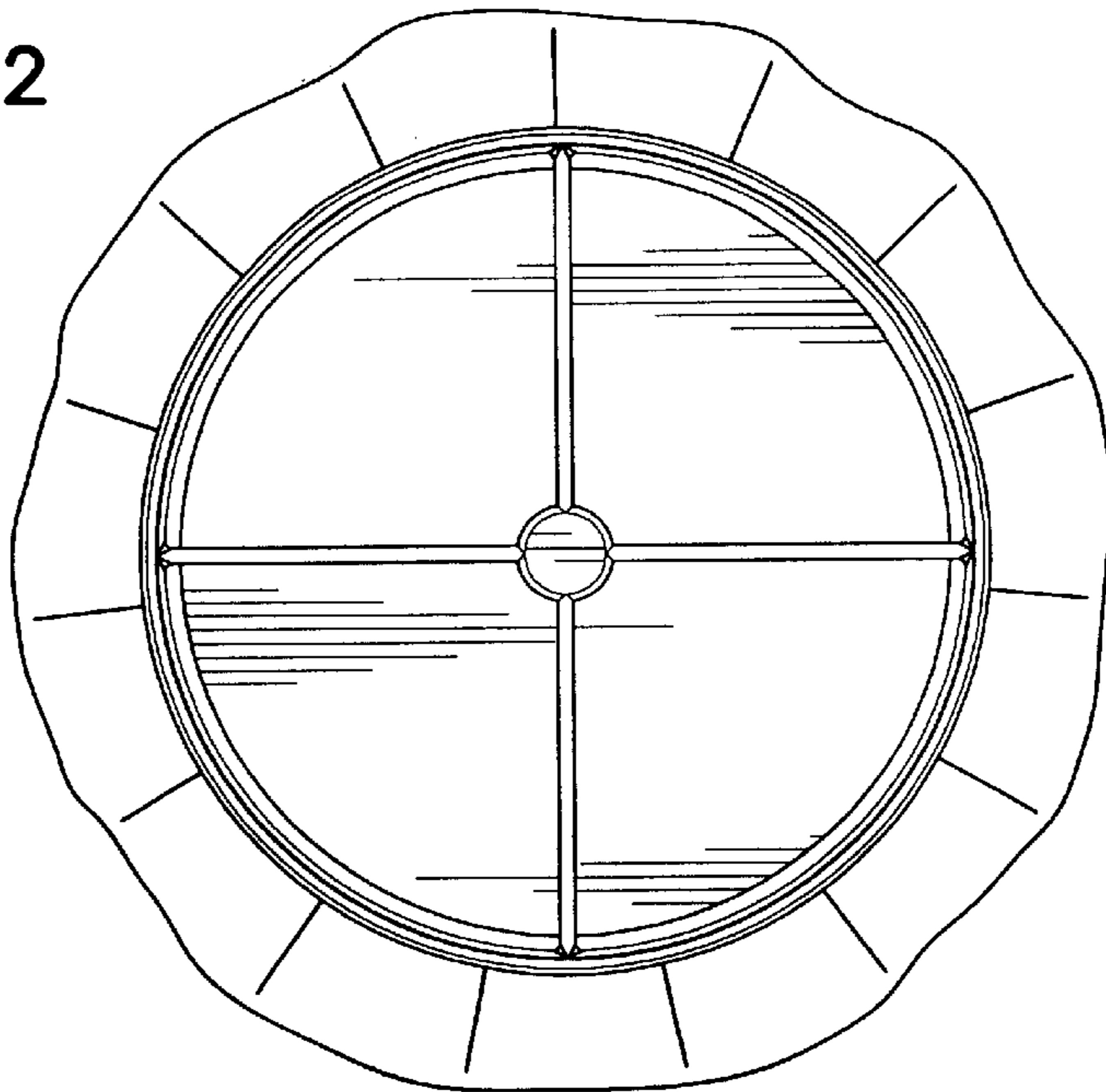


FIG. 3

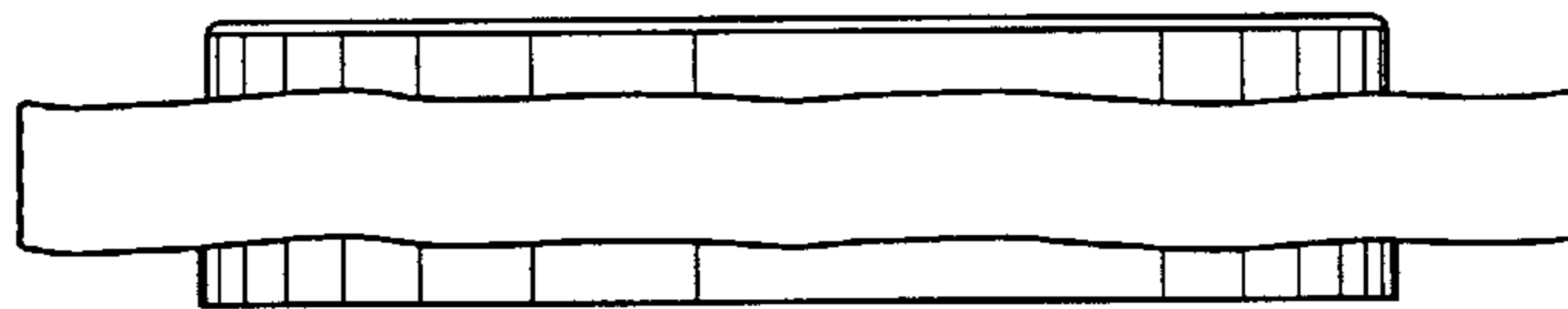


FIG. 4

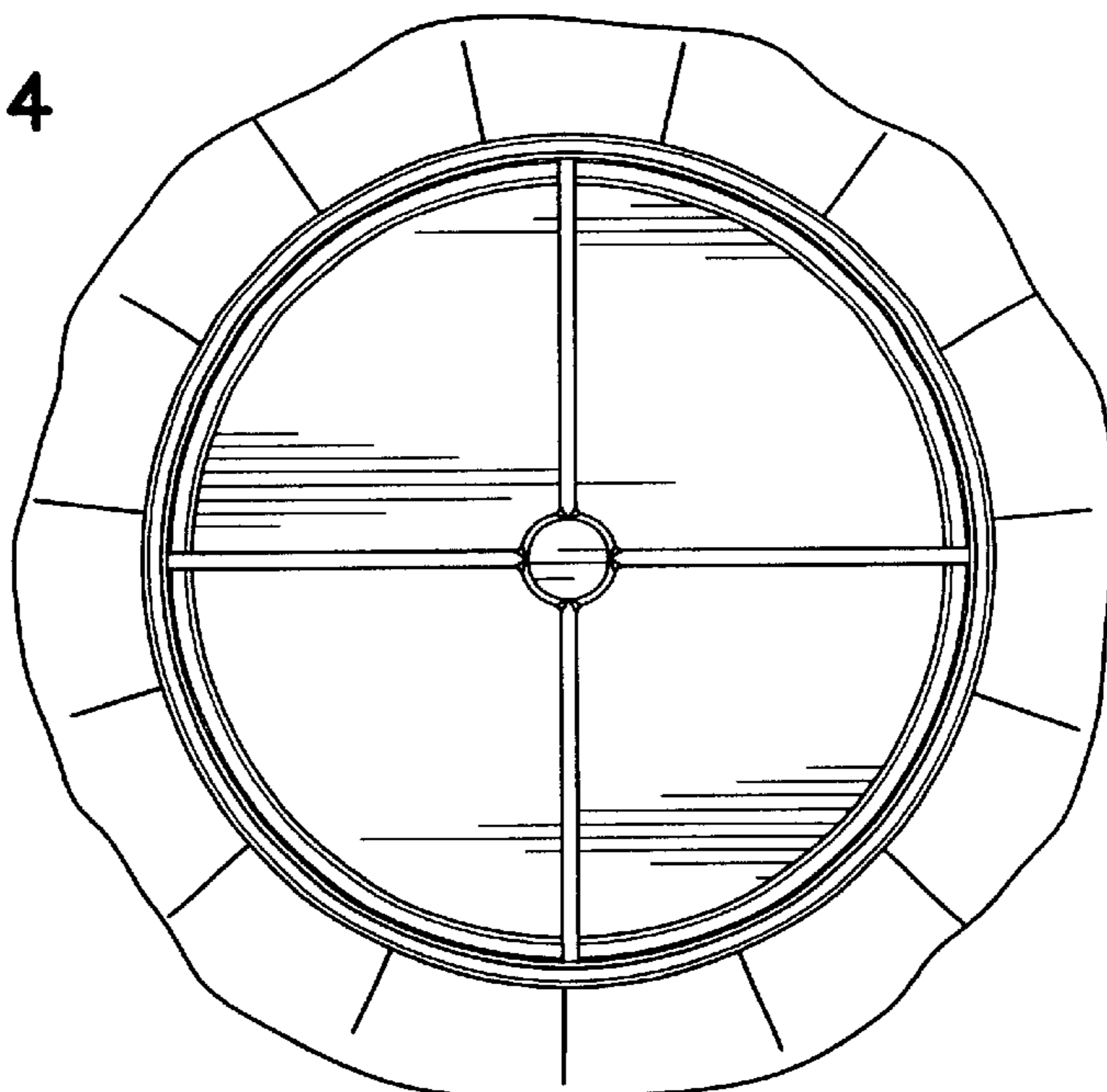


FIG. 5

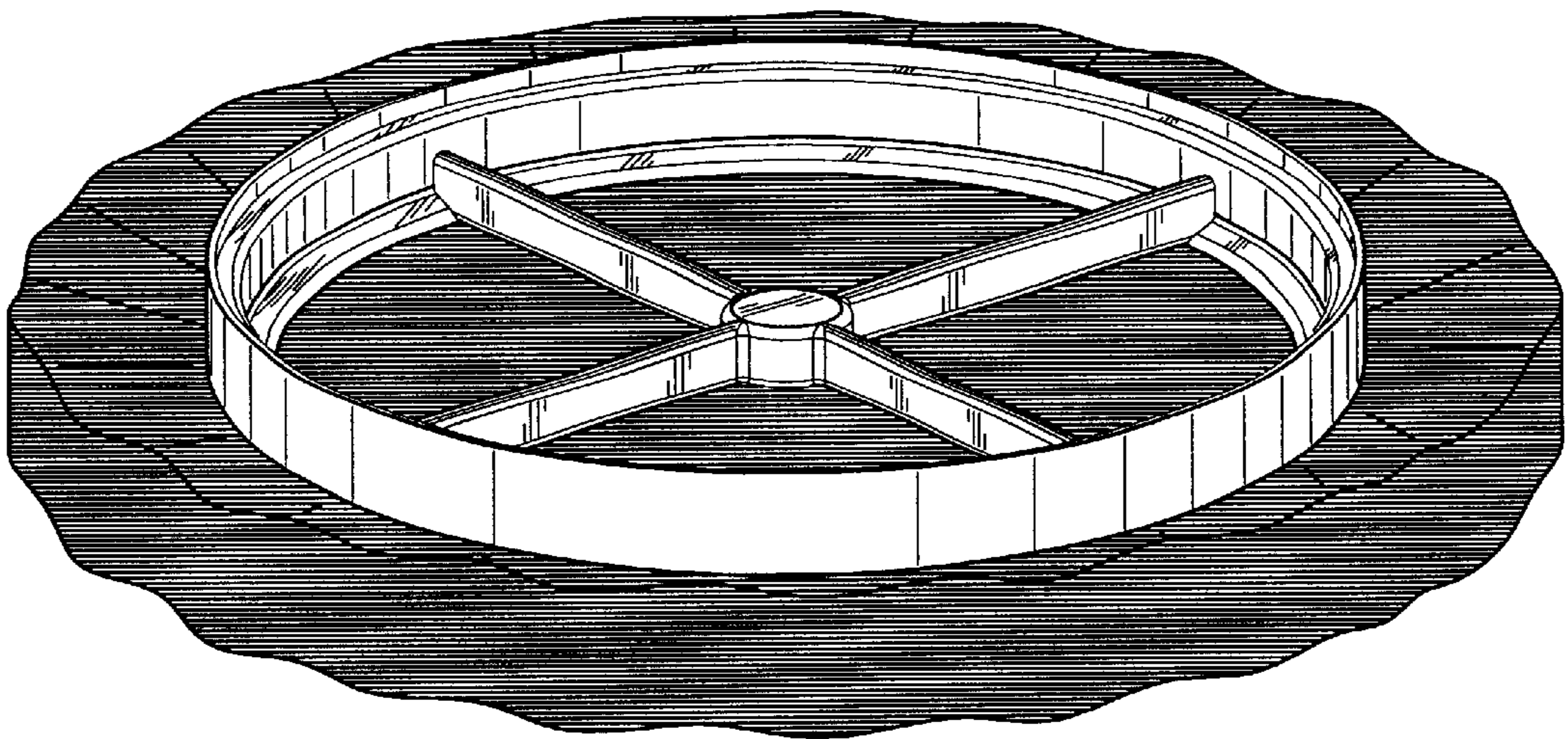


FIG. 6

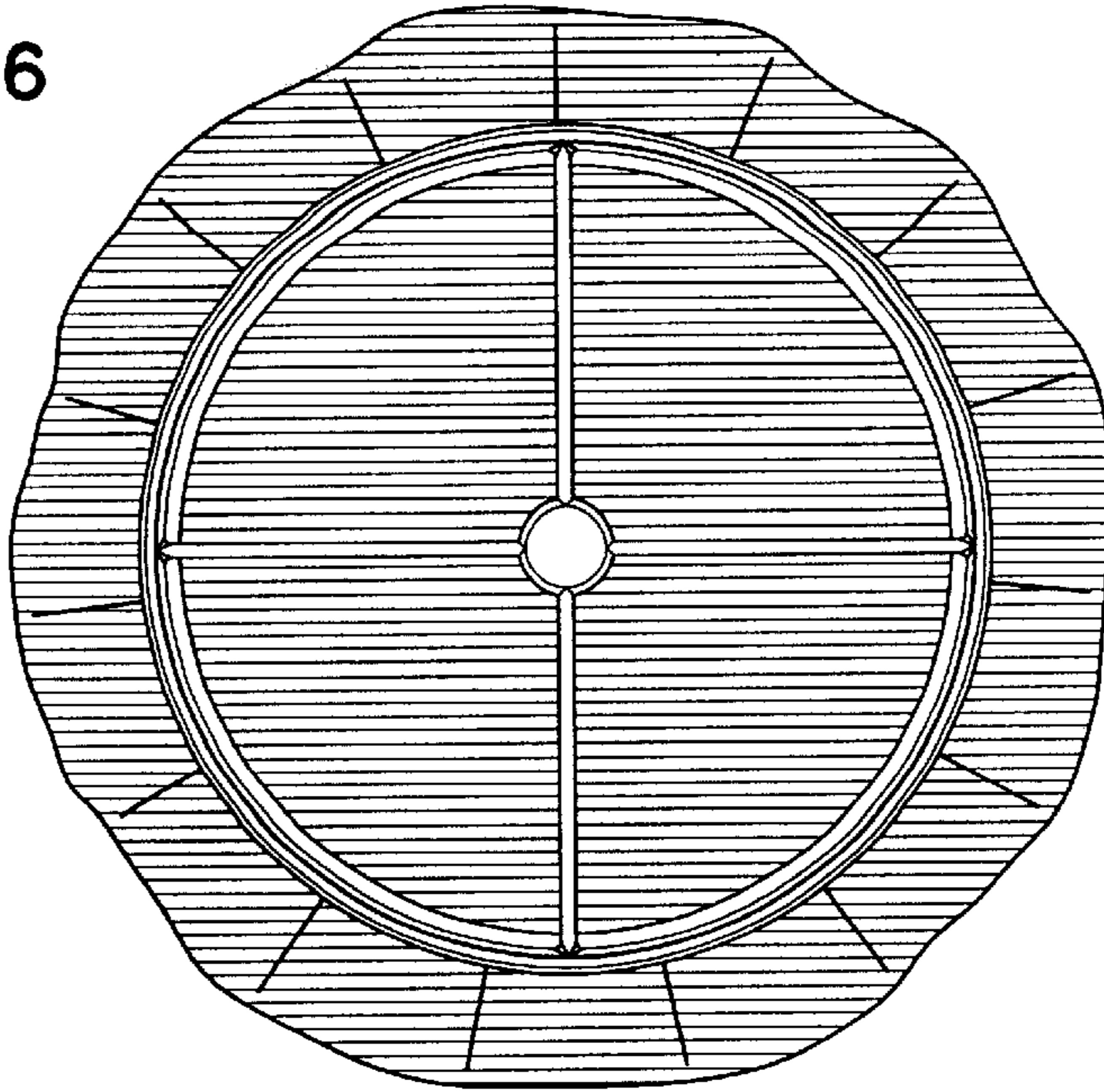


FIG. 7

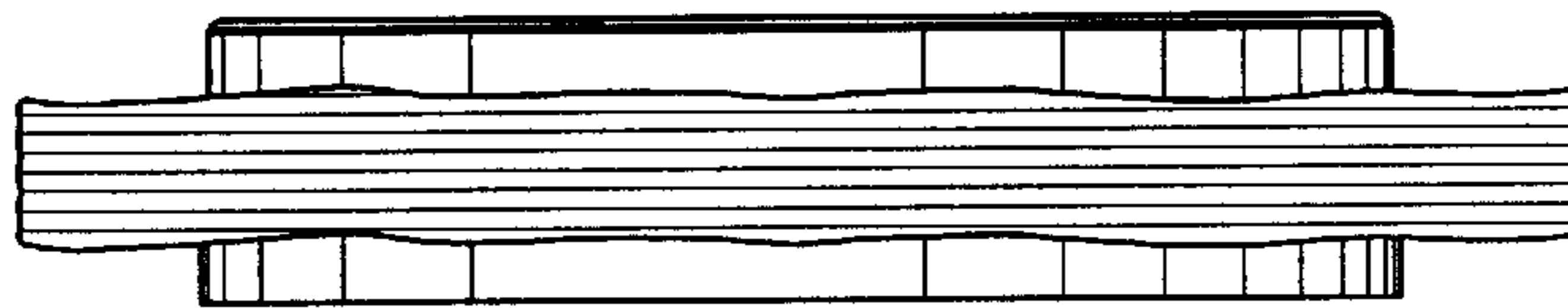


FIG. 8

