



US00D447548B1

(12) **United States Design Patent**  
**Schneider**

(10) **Patent No.:** **US D447,548 S**

(45) **Date of Patent:** **\*\* Sep. 4, 2001**

(54) **TOILET SEAT ATTACHMENT DEVICE**

(75) **Inventor:** **Phillip G. Schneider**, Davison, MI (US)

(73) **Assignee:** **The Pathfinder Group**, Davison, MI (US)

(\*\*) **Term:** **14 Years**

(21) **Appl. No.:** **29/133,477**

(22) **Filed:** **Nov. 30, 2000**

**Related U.S. Application Data**

(63) Continuation of application No. 09/477,075, filed on Jan. 3, 2000, now Pat. No. 6,175,968.

(51) **LOC (7) Cl.** ..... **23-02**

(52) **U.S. Cl.** ..... **D23/311**

(58) **Field of Search** ..... D23/295, 296,  
D23/297, 311, 312; D29/124; D6/604; D24/123;  
4/237, 236, 239, 248, 245.1, 245.7, 245.8,  
238

(56) **References Cited**

**U.S. PATENT DOCUMENTS**

- D. 314,424 \* 2/1991 Davenport et al. .... D23/311
- D. 336,954 \* 6/1993 Paglia ..... D23/311
- D. 390,644 \* 2/1998 Hicks ..... D23/311
- D. 421,491 \* 3/2000 Hewitt ..... D23/311
- 3,986,215 \* 10/1976 Amalfitano ..... 4/236

- 5,005,223 4/1991 Greenwood .
- 5,060,319 10/1991 Laroue .
- 5,095,556 3/1992 Franey .
- 5,267,355 12/1993 Landman .
- 5,542,131 8/1996 Brantman .
- 5,781,940 7/1998 Becker et al. .
- 5,787,514 8/1998 Erli .
- 5,802,624 9/1998 Brantman .
- 5,940,896 8/1999 Berring .

\* cited by examiner

*Primary Examiner*—Louis S. Zarfaz

*Assistant Examiner*—Robert A. Delehanty

(74) *Attorney, Agent, or Firm*—Gifford, Krass, Groh, Sprinkle, Anderson & Citkowski, P.C.

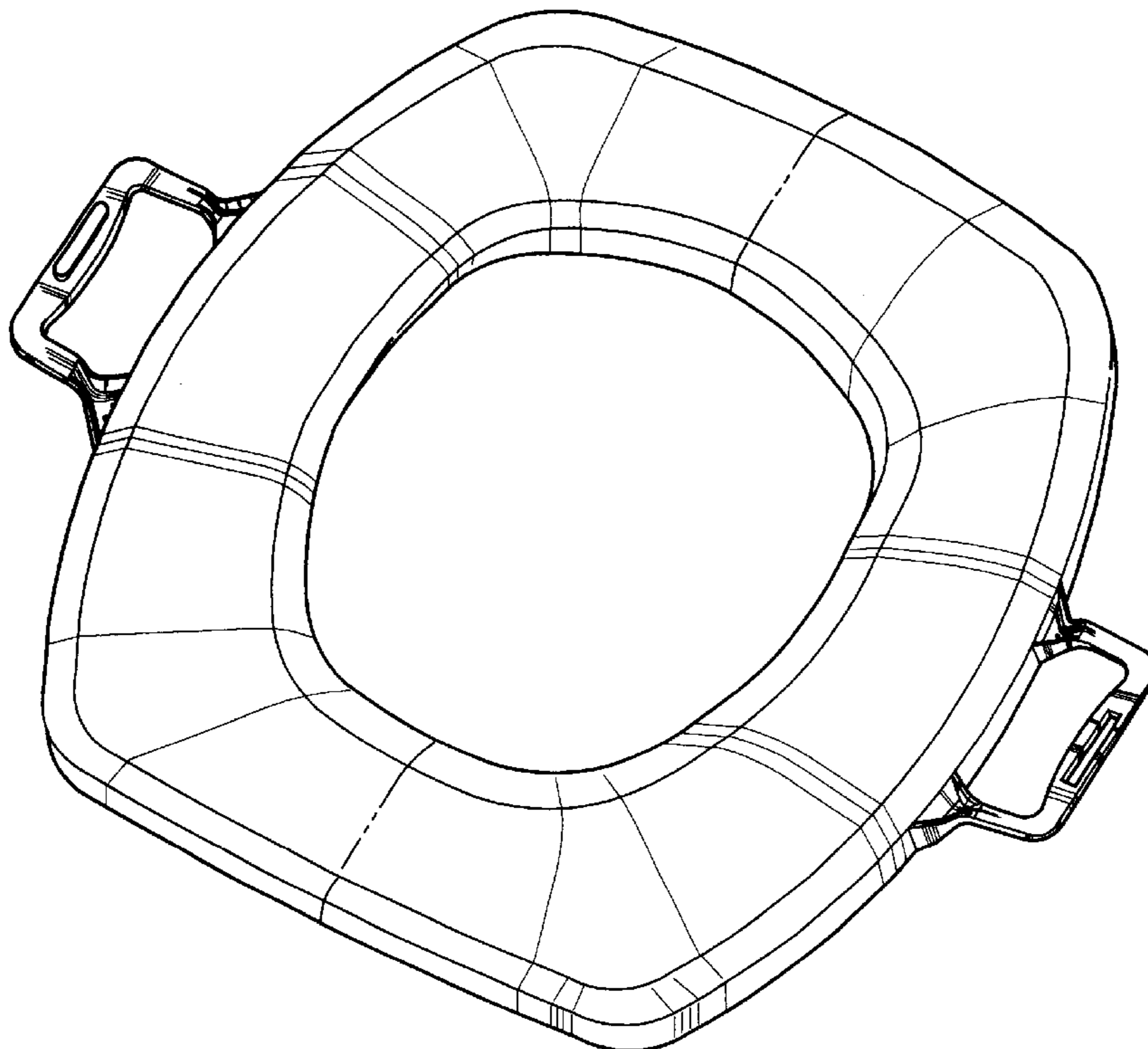
(57) **CLAIM**

I claim the ornamental design for a toilet seat attachment device, as shown and described.

**DESCRIPTION**

FIG. 1 is a perspective view of the toilet seat attachment device according to the present design;  
 FIG. 2 is a front view of the present design;  
 FIG. 3 is a rear view of the present design also illustrated in FIG. 2;  
 FIG. 4 is a right side view of the present design, a corresponding left side view being a mirror image thereof;  
 FIG. 5 is a top view of the present design; and,  
 FIG. 6 is a bottom view of present design.

**1 Claim, 2 Drawing Sheets**



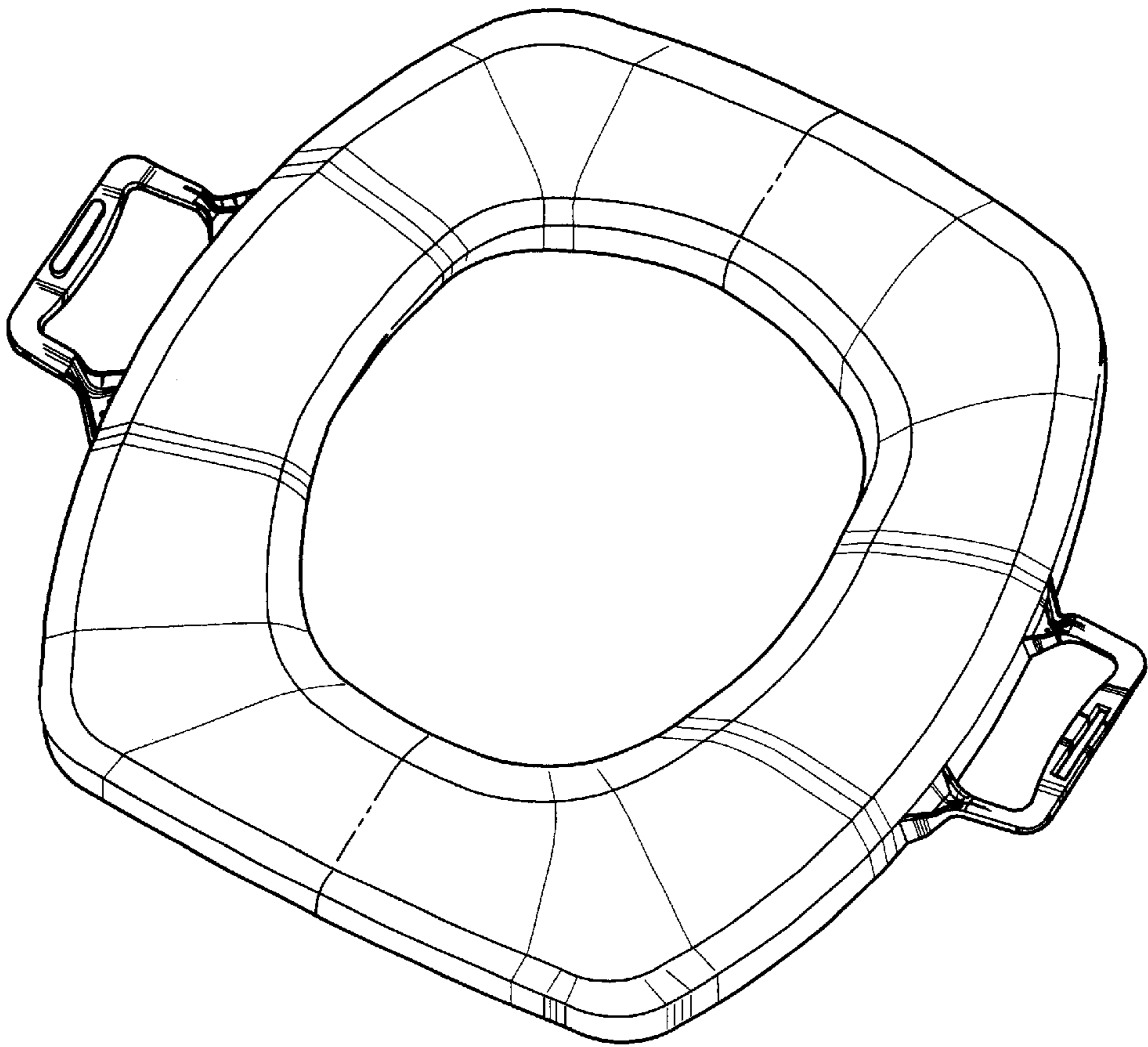


Fig-1

Fig-2



Fig-3

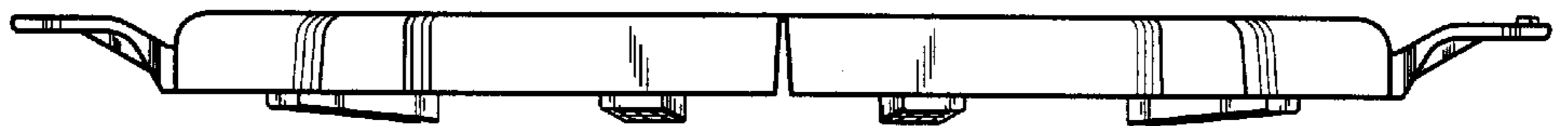


Fig-4



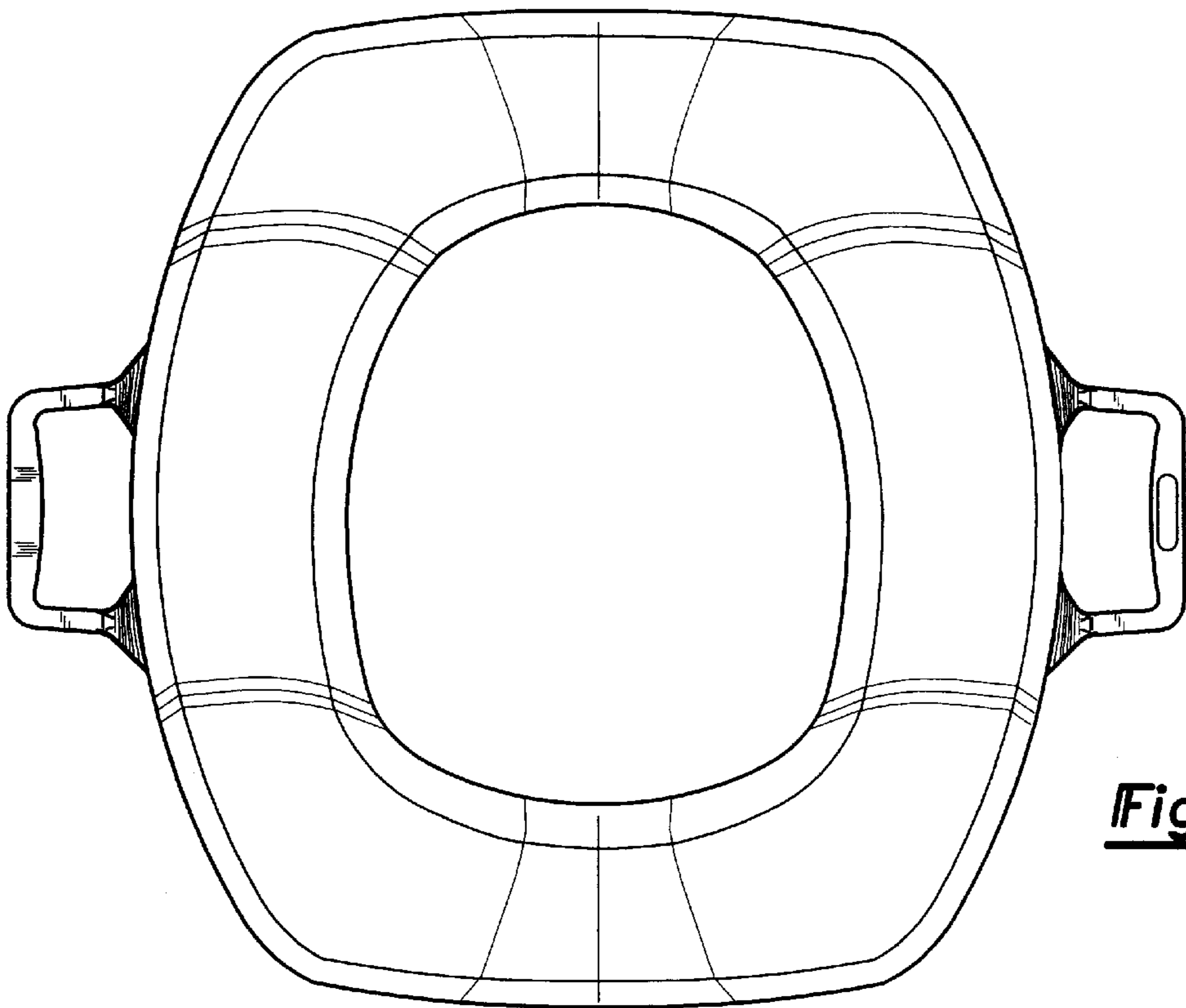


Fig-5

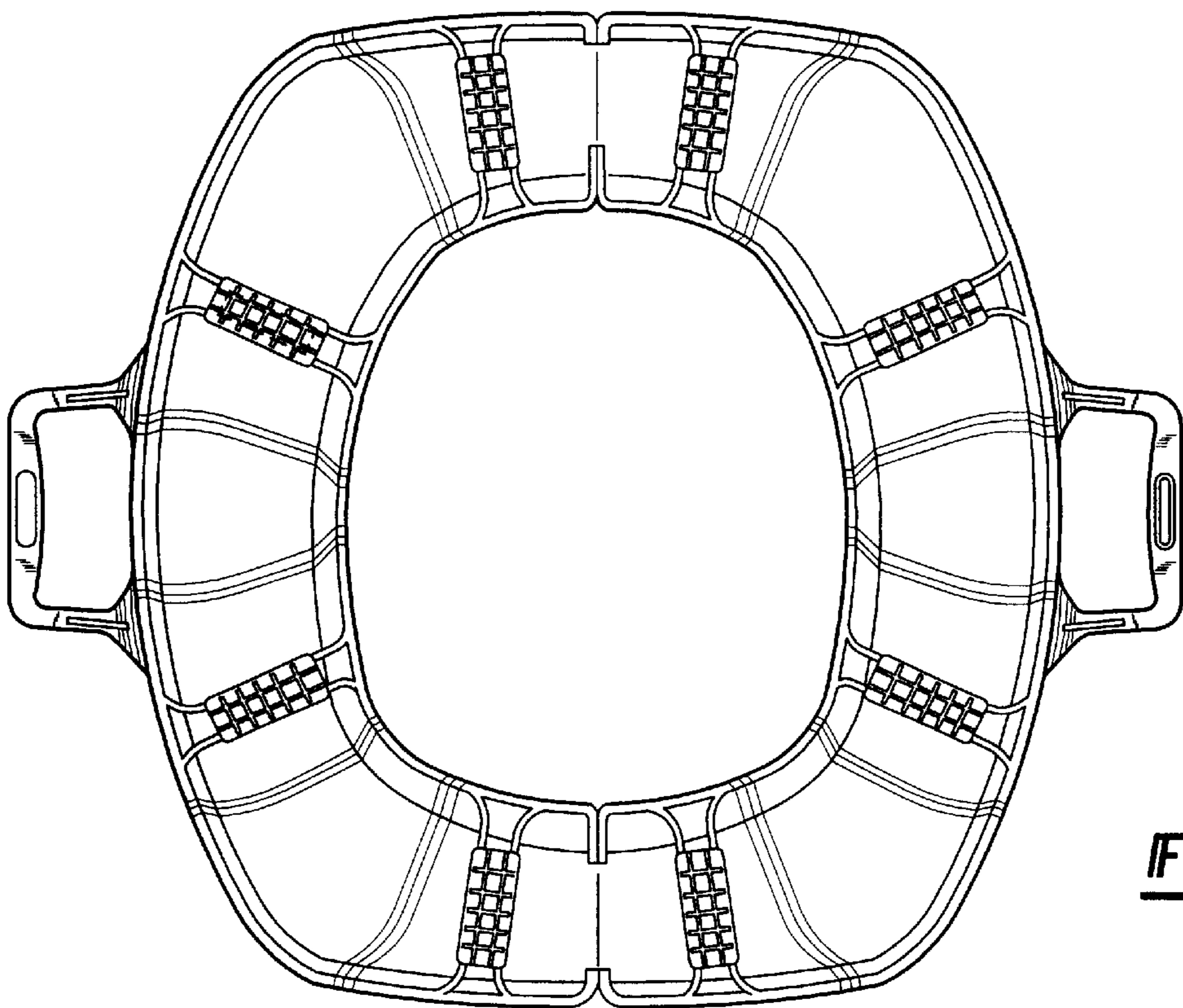


Fig-6