



US00D447547B1

(12) **United States Design Patent**
Dimitriadis et al.

(10) **Patent No.:** **US D447,547 S**

(45) **Date of Patent:** **** Sep. 4, 2001**

(54) **SHOWER COMBINATION**

(75) Inventors: **Andreas Dimitriadis**, Leinzell; **Tom Schönherr**; **Andreas Haug**, both of Stuttgart, all of (DE)

(73) Assignee: **Hansgrohe AG** (DE)

(**) Term: **14 Years**

(21) Appl. No.: **29/124,326**

(22) Filed: **Jun. 2, 2000**

(30) **Foreign Application Priority Data**

Dec. 3, 1999 (DE) 4 99 11 412

(51) **LOC (7) Cl.** **23-02**

(52) **U.S. Cl.** **D23/304**

(58) **Field of Search** D23/213, 223, D23/228, 275, 283, 303, 304; D8/354, 355; 248/125.1; 4/567, 568, 570, 576.1, 596, 601, 615, 695

(56) **References Cited**

U.S. PATENT DOCUMENTS

- D. 284,688 * 7/1986 Baus D23/283
- D. 391,341 * 2/1998 Sutherland D23/304 X
- D. 405,877 * 2/1999 Larsson D23/304
- D. 407,806 * 4/1999 Dimitriadis et al. D23/304
- D. 429,322 * 8/2000 Haug et al. D23/304
- 3,827,088 * 8/1974 Arnold et al. D23/228 X

OTHER PUBLICATIONS

- CARNAC prospectus, published 1998, 4 pages.
- PAESTUM prospectus, published 1995, 3 pages.
- Kludi-Vitala prospectus, publication date unknown, 3 pages.
- PHARO prospectus, published 1999, 6 pages.
- Illustration of several showers, 2 pages no date.

* cited by examiner

Primary Examiner—Louis S. Zarfaz

Assistant Examiner—Robert A. Delehanty

(74) *Attorney, Agent, or Firm*—Duane, Morris & Heckscher LLP

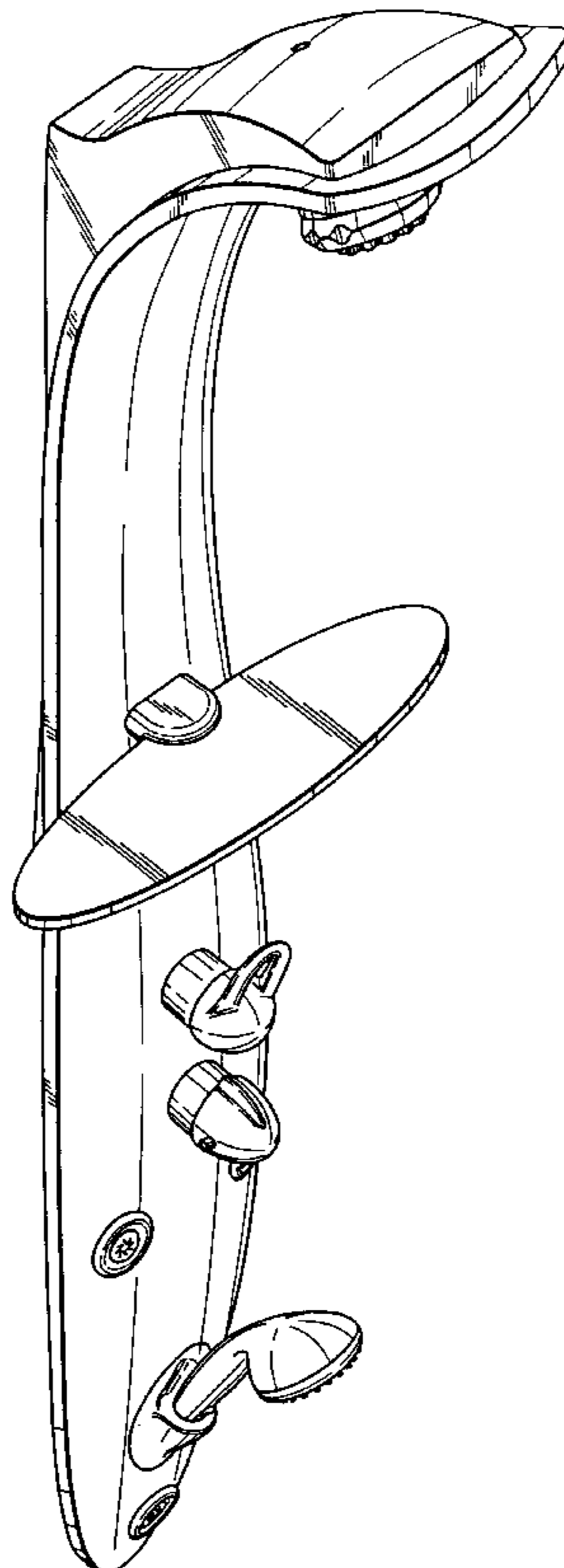
(57) **CLAIM**

The ornamental design for a shower combination, as shown and described.

DESCRIPTION

- FIG. 1 is a side perspective view of a shower combination showing my new design;
- FIG. 2 is a top plan view thereof;
- FIG. 3 is a bottom plan view thereof;
- FIG. 4 is a side elevation view thereof;
- FIG. 5 is a front elevation view thereof;
- FIG. 6 is an opposite side elevation view; and,
- FIG. 7 is a rear elevation view thereof.

1 Claim, 3 Drawing Sheets



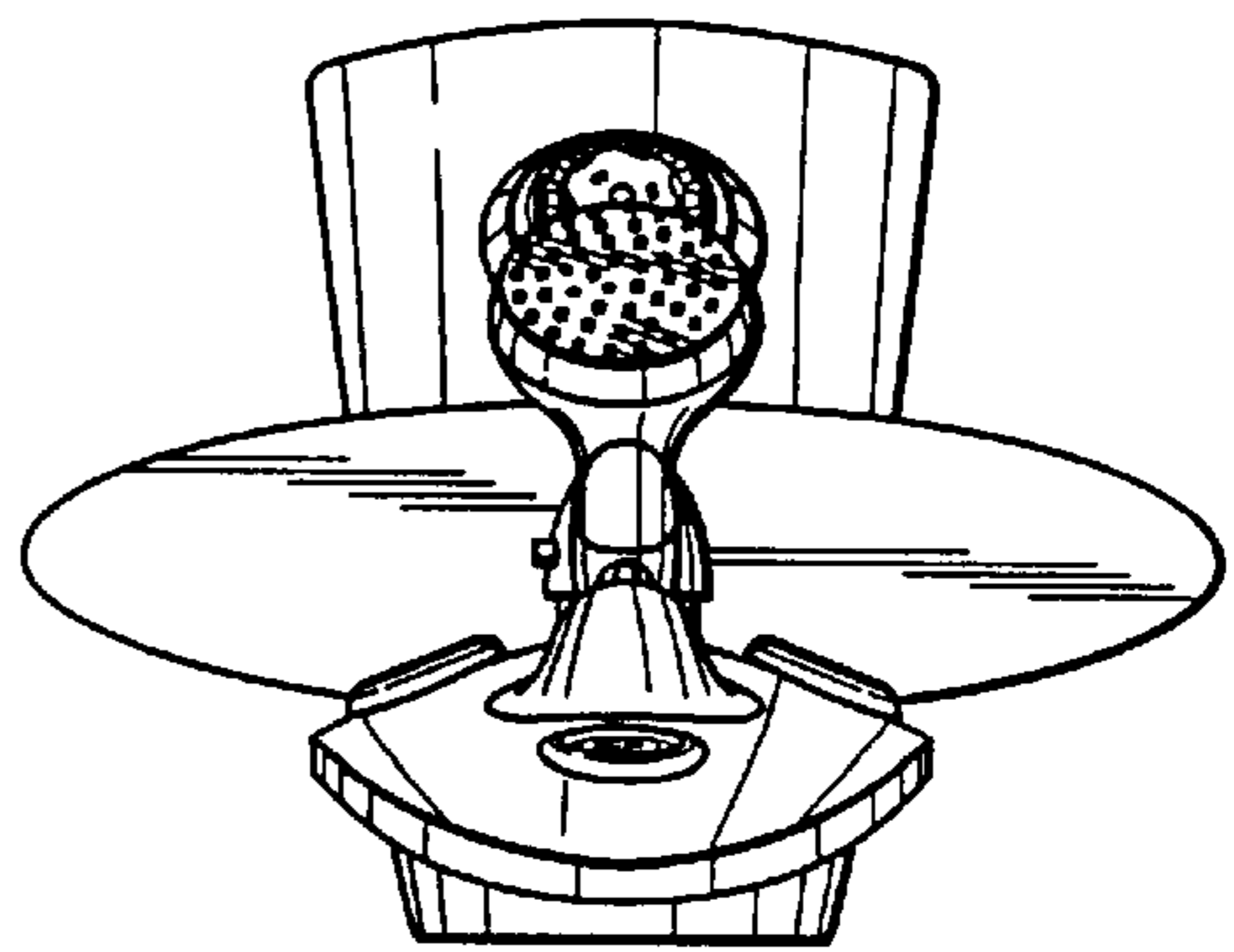
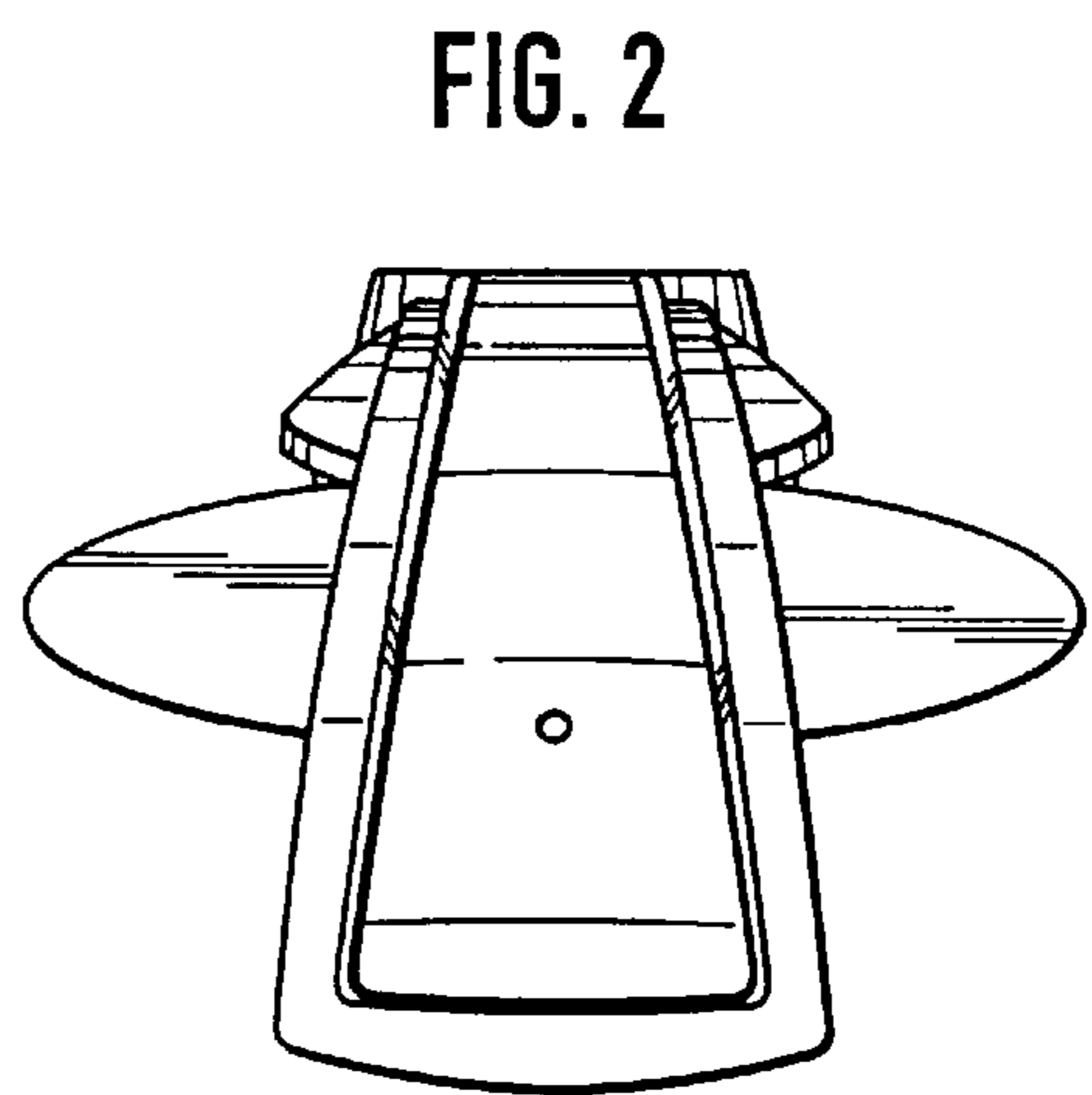
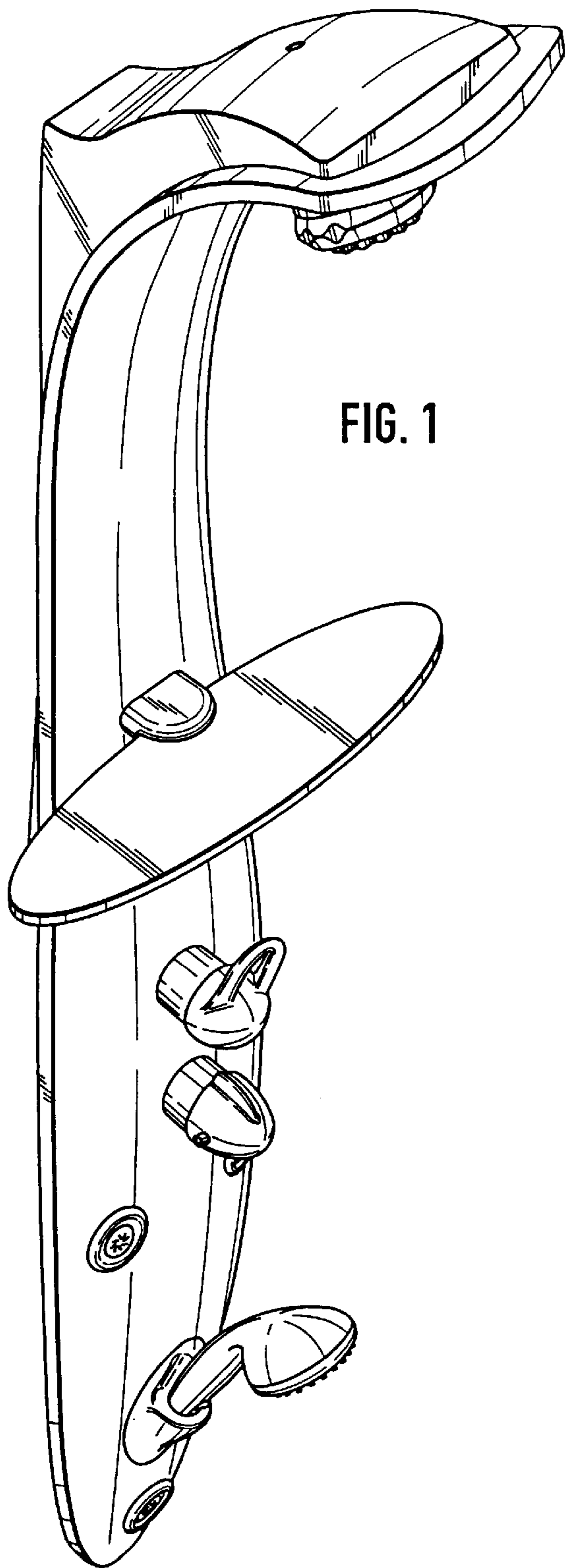


FIG. 4

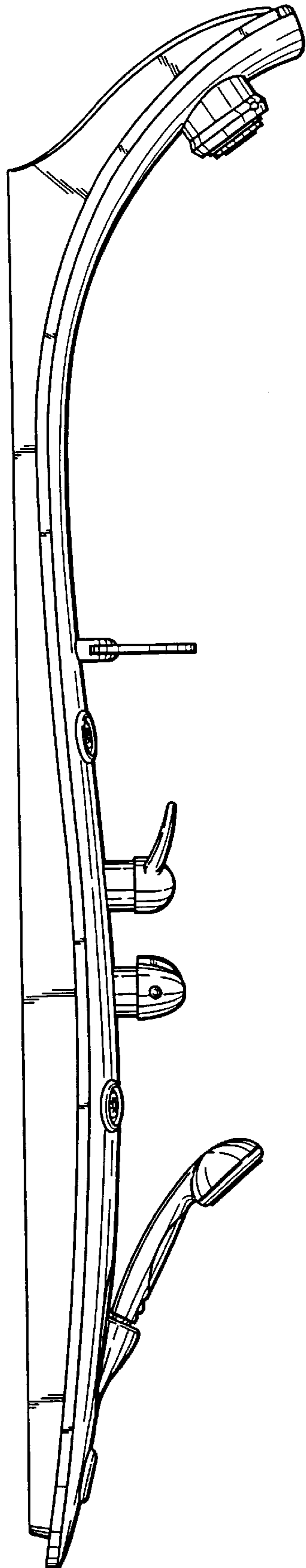


FIG. 5

