



US00D447546B1

(12) **United States Design Patent**  
**McKeone**

(10) **Patent No.:** **US D447,546 S**

(45) **Date of Patent:** **\*\* Sep. 4, 2001**

(54) **LAVATORY**  
(75) Inventor: **William C. McKeone**, Sheboygan, WI (US)

4,289,717 \* 9/1981 Bortz ..... 264/46.5  
4,771,488 \* 9/1988 Markham ..... 4/631  
5,715,547 \* 2/1998 Becker et al. .... 4/619  
6,128,793 \* 10/2000 Weinstein ..... 4/631

(73) Assignee: **Kohler Co.**, Kohler, WI (US)  
(\*\*) Term: **14 Years**

**OTHER PUBLICATIONS**

Dictionary of Architecture and Contruction, Second Edition; New York: McGraw-Hill Inc.; herringbone pattern, p. 417.\*  
Undated Kallista catalog ad showing a "Monte Carlo II" oval thin-rimmed lavatory, admitted prior art.  
1997 Kohler catalog ad showing "Vintage" lavatories.  
1997 Kohler catalog ad showing "Iron Bell" lavatory.

(21) Appl. No.: **29/132,782**  
(22) Filed: **Nov. 15, 2000**

**Related U.S. Application Data**

(62) Division of application No. 29/103,350, filed on Apr. 13, 1999, now Pat. No. Des. 436,656.  
(51) **LOC (7) Cl.** ..... **23-02**  
(52) **U.S. Cl.** ..... **D23/293.1**  
(58) **Field of Search** ..... D23/270-274,  
D23/284-292, 293.1, 303, 308; 4/619, 630-632,  
637-643, 650, 656, 660; D9/428-9, 549,  
551, 564; D7/554.2, 584

\* cited by examiner

*Primary Examiner*—Louis S. Zarfaz  
*Assistant Examiner*—Robert A. Delehanty  
(74) *Attorney, Agent, or Firm*—Quarles & Brady LLP

(56) **References Cited**

**U.S. PATENT DOCUMENTS**

D. 205,653 9/1966 Niemann ..... D23/284  
D. 217,968 \* 7/1970 Armstrong ..... D23/293.1  
D. 232,638 9/1974 Mather ..... D23/284  
D. 320,066 9/1991 Dannenberg ..... D23/284  
D. 356,148 3/1995 Kohler, Jr. et al. .... D23/293.1  
D. 390,929 2/1998 Reid et al. .... D23/293.1  
D. 398,971 9/1998 McKeone et al. .... D23/293.1  
D. 399,935 10/1998 Nagato ..... D23/293.1  
D. 420,856 \* 2/2000 Yeo et al. .... D7/554.2  
3,099,377 \* 7/1963 Metzler ..... D7/584  
3,521,418 \* 7/1970 Bartoloni ..... 52/318  
4,179,760 \* 12/1979 Nakagawa ..... 4/584

(57) **CLAIM**

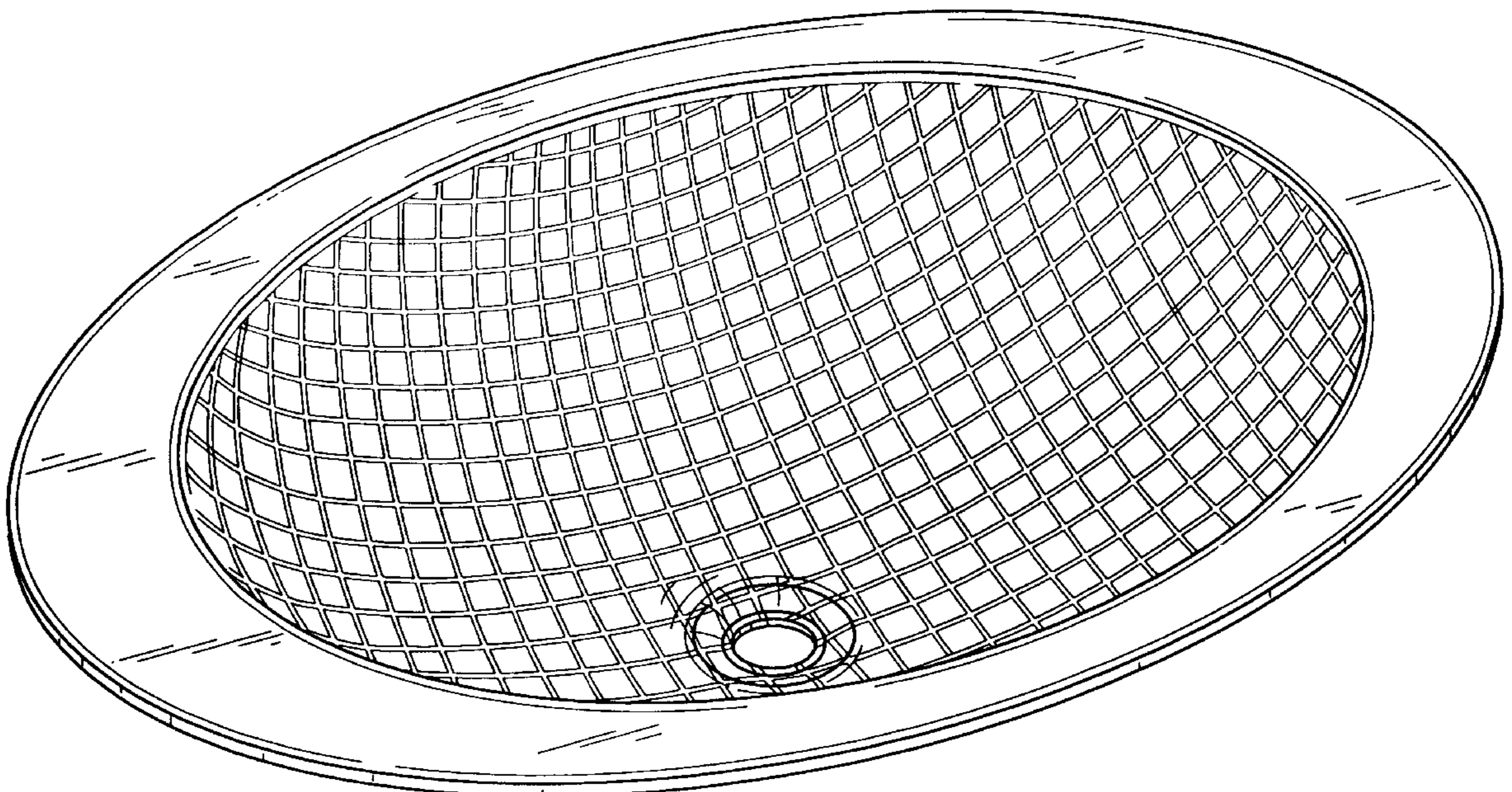
The ornamental design for a lavatory, as shown and described.

**DESCRIPTION**

In a preferred embodiment, the nature of this product is as a plumbing fixture primarily useful for washing the face and hands of humans.

FIG. 1 is an enlarged left, top, front perspective view of a lavatory embodying my new design;  
FIG. 2 is an enlarged top plan view thereof;  
FIG. 3 is a front elevational view thereof, the rear elevational view being identical to the front elevational view shown;  
FIG. 4 is a right side elevational view thereof, the left side elevational view being identical to the right side shown; and,  
FIG. 5 is a bottom plan view thereof.

**1 Claim, 3 Drawing Sheets**



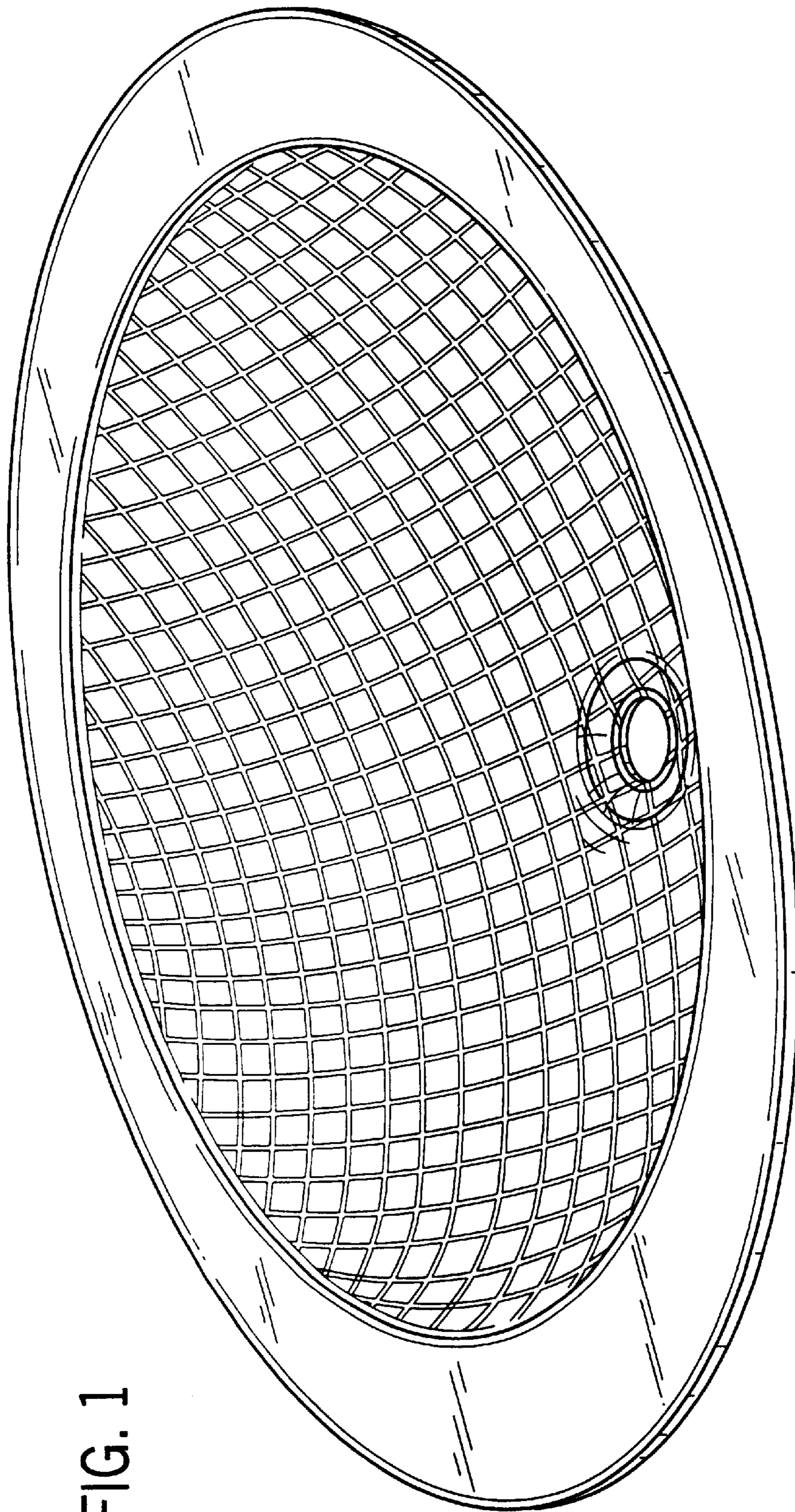


FIG. 1

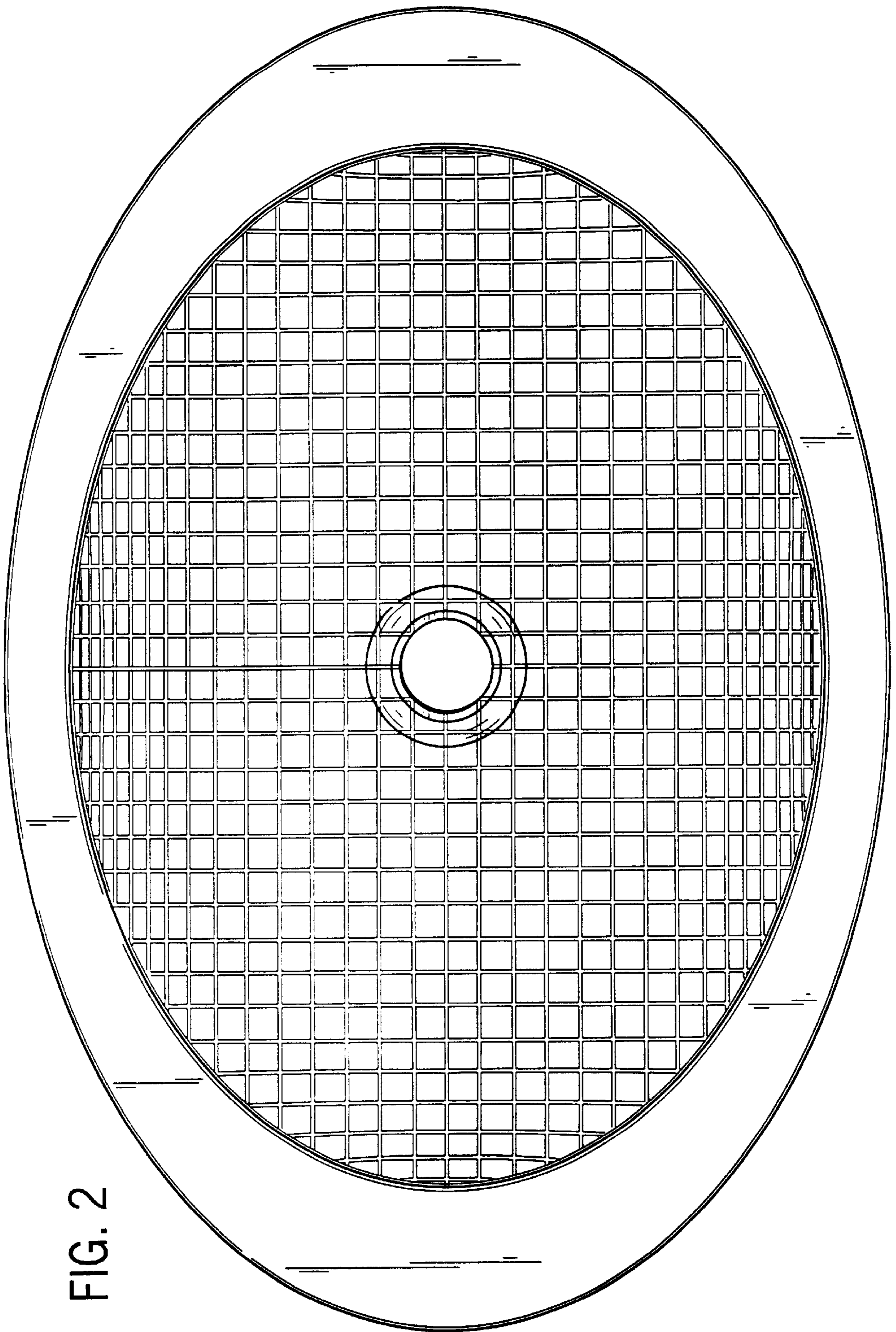


FIG. 2

FIG. 3

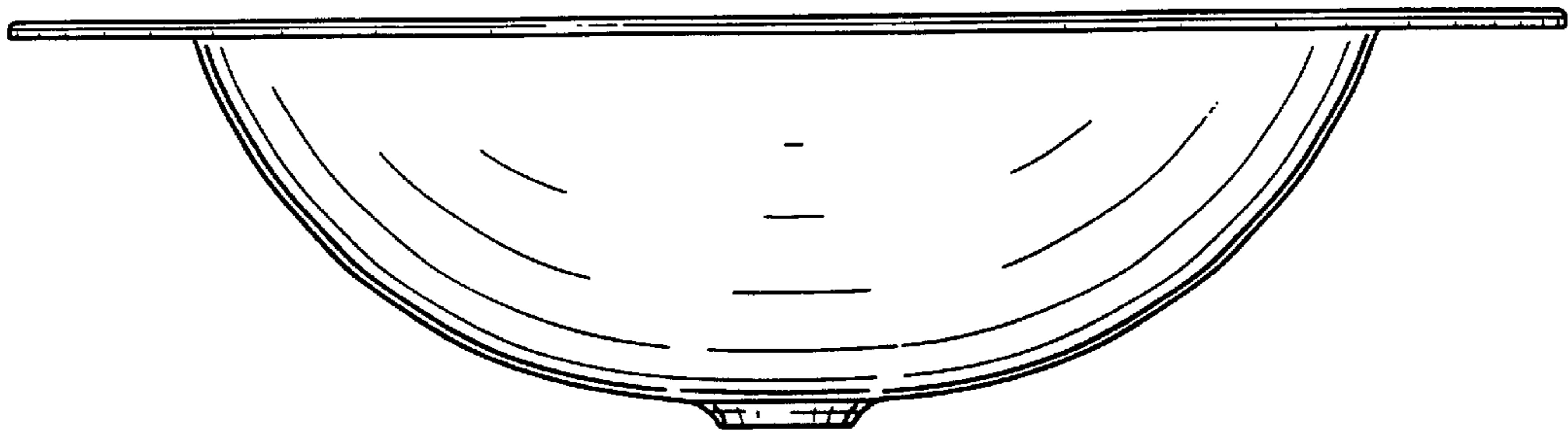


FIG. 4

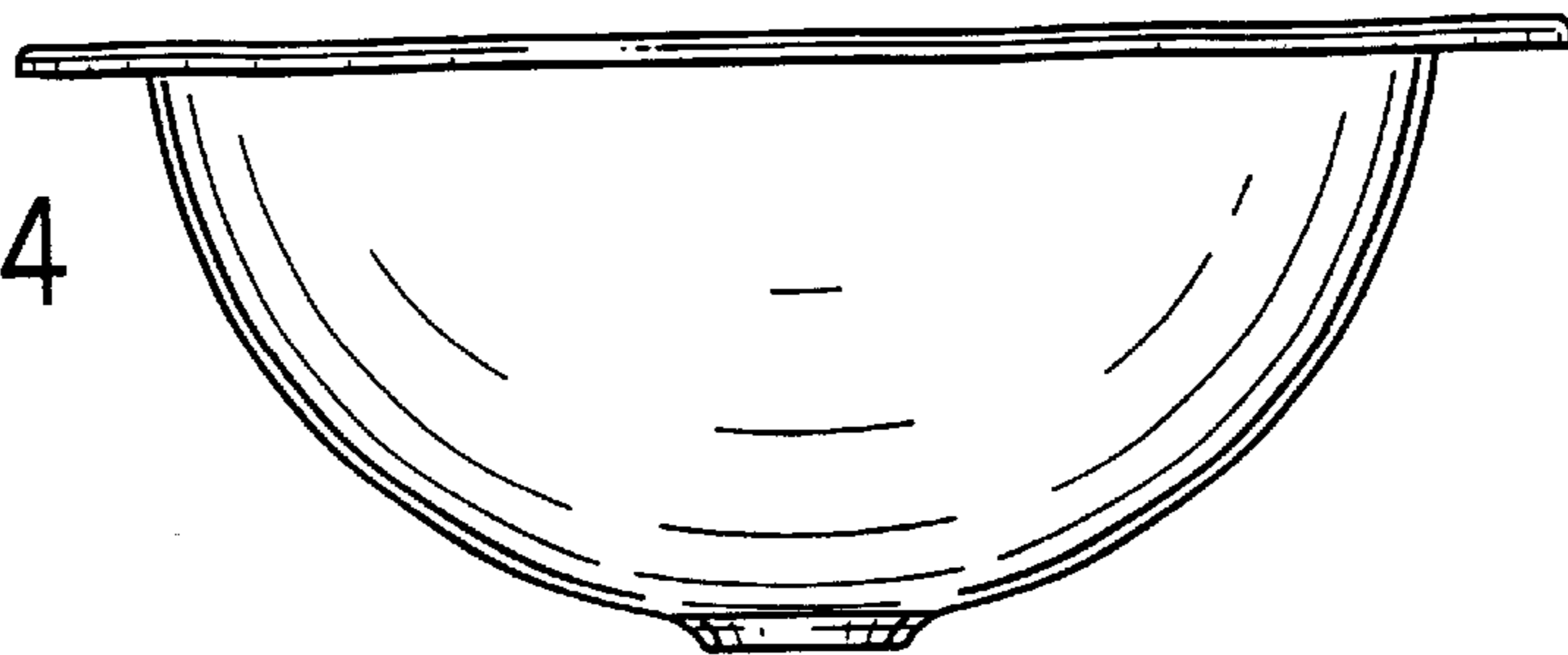


FIG. 5

