



US00D447539B1

(12) **United States Design Patent**
Tse

(10) **Patent No.:** **US D447,539 S**

(45) **Date of Patent:** **** Sep. 4, 2001**

(54) **WATER NOZZLE**

5,806,770 * 9/1998 Wang 239/526
5,967,422 * 10/1999 Wang 239/526

(75) Inventor: **Gary Hing Fai Tse**, New Territories (HK)

* cited by examiner

(73) Assignee: **Brand New Technology Ltd.** (HK)

Primary Examiner—Robin V. Taylor

(**) Term: **14 Years**

(74) *Attorney, Agent, or Firm*—Leydig, Voit & Mayer Ltd.

(21) Appl. No.: **29/131,554**

(57) **CLAIM**

(22) Filed: **Oct. 25, 2000**

The ornamental design for a water nozzle, as shown and described.

(51) **LOC (7) Cl.** **23-01**

DESCRIPTION

(52) **U.S. Cl.** **D23/226**

FIG. 1 is a front end and right side perspective view of a water nozzle showing my new design;

(58) **Field of Search** D23/213, 223, D23/226, 229; 239/525–527

FIG. 2 is a right side elevational view thereof;

FIG. 3 is a top plan view thereof;

FIG. 4 is a front end elevational thereof;

FIG. 5 is a rear end elevational thereof;

FIG. 6 is a left side elevational view thereof; and,

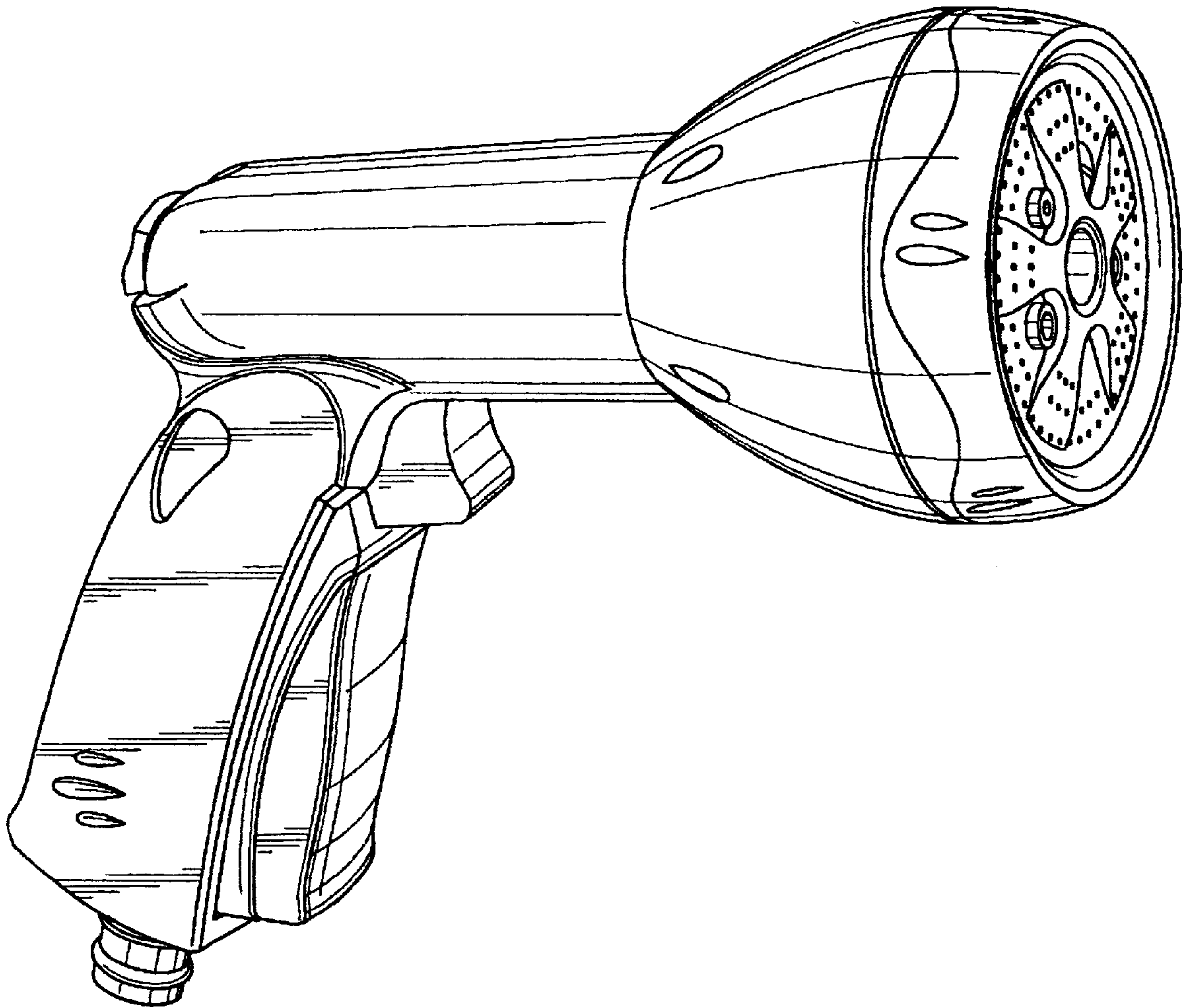
FIG. 7 is a bottom plan view thereof.

(56) **References Cited**

U.S. PATENT DOCUMENTS

- D. 347,463 * 5/1994 Kingston et al. D23/223
- D. 408,498 * 4/1999 Wang D23/226
- 5,323,968 * 6/1994 Kingston et al. 239/526

1 Claim, 4 Drawing Sheets



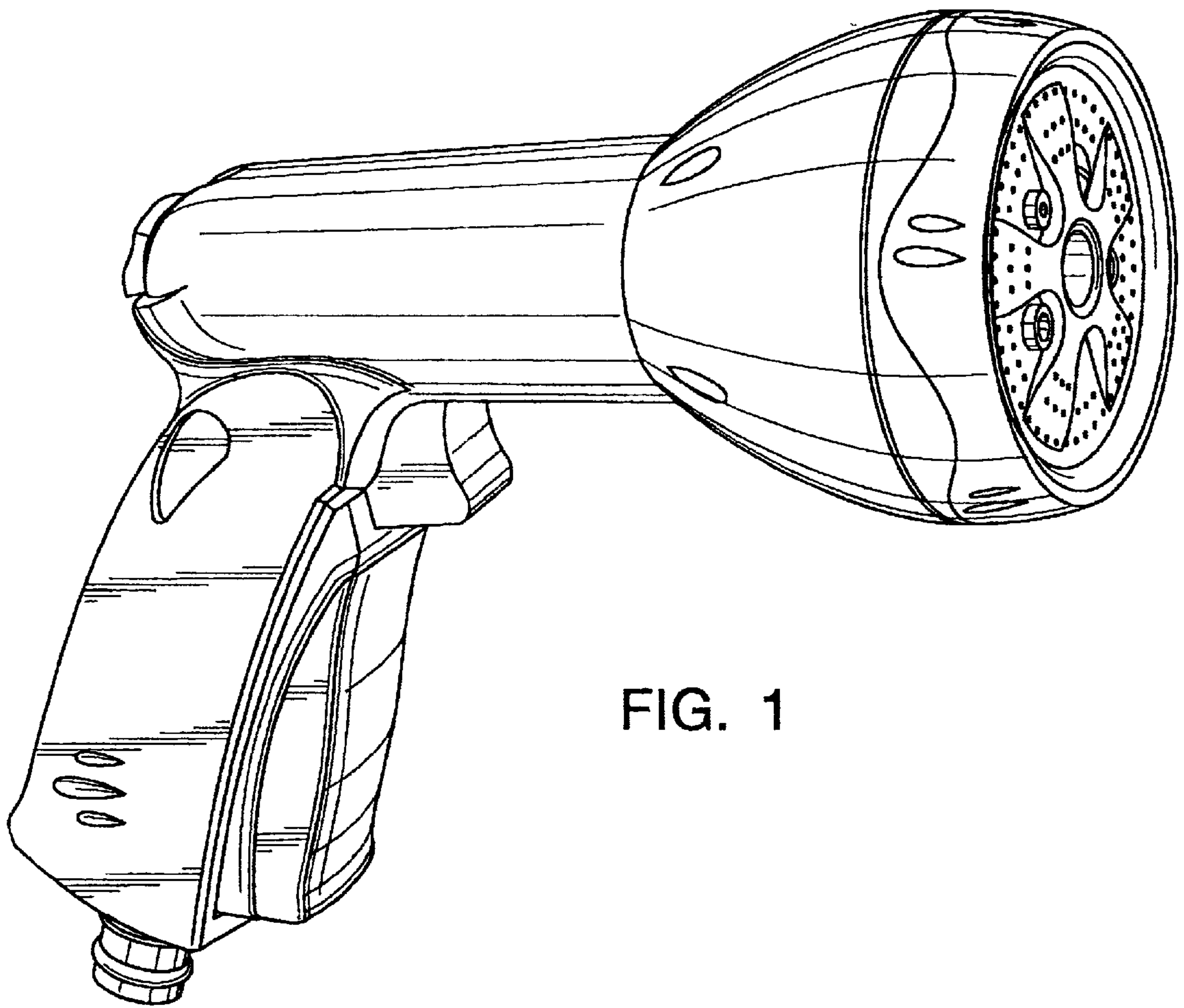


FIG. 1

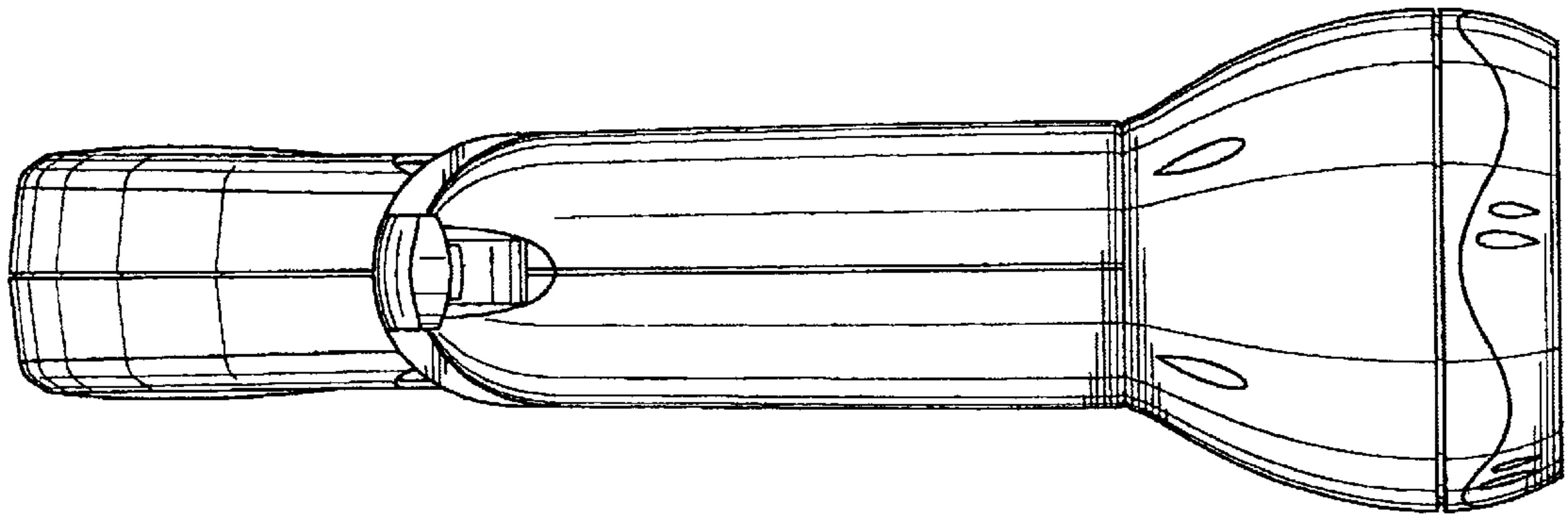


FIG. 3

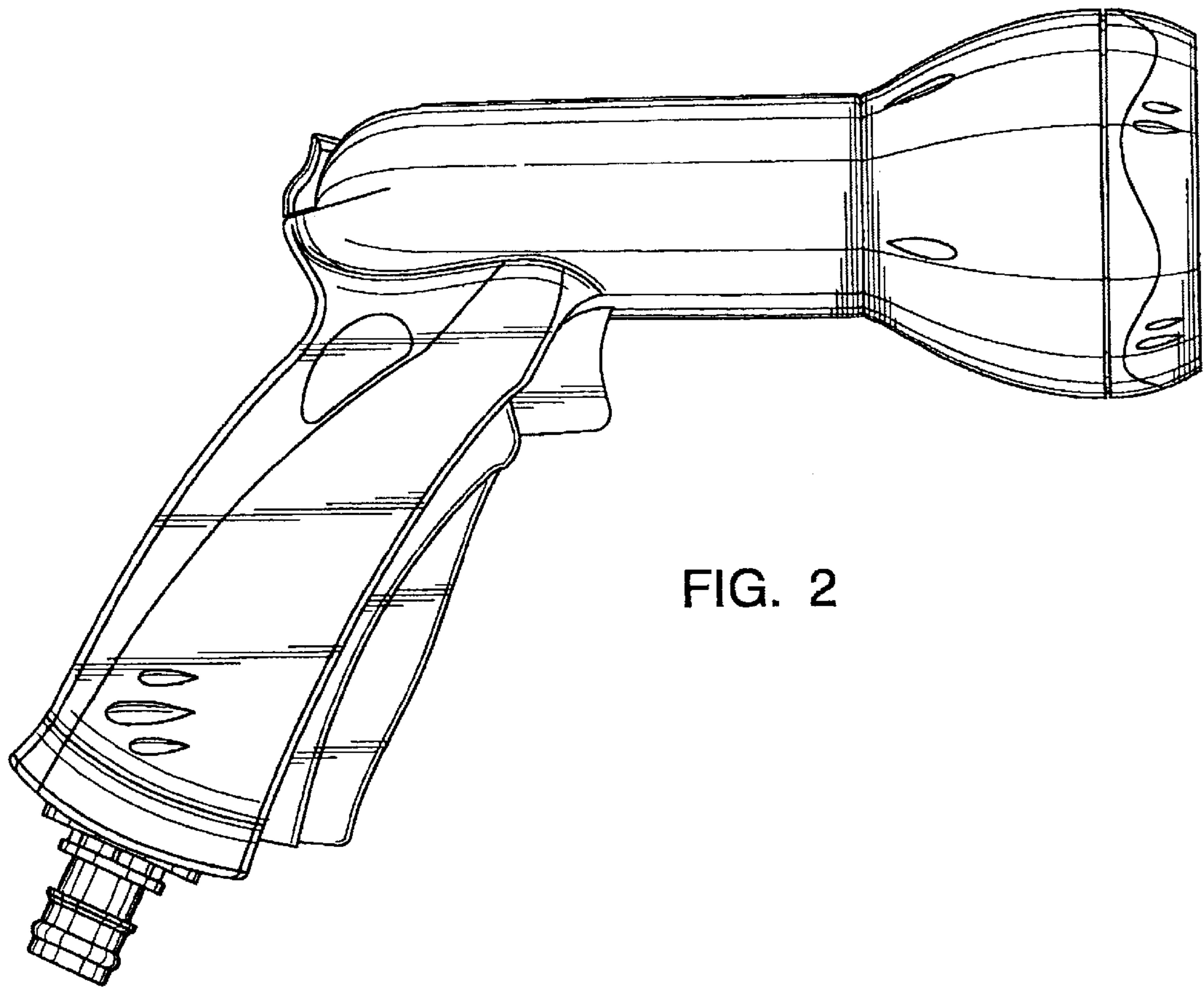


FIG. 2

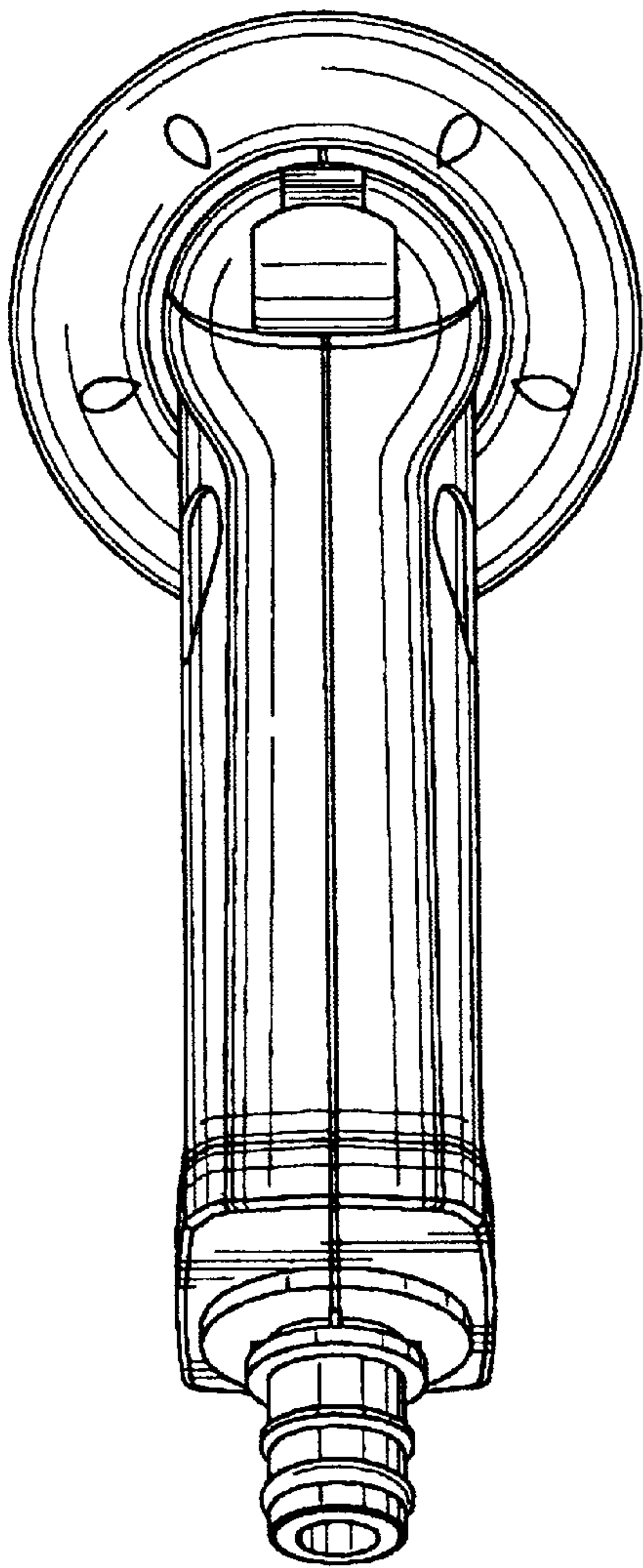


FIG. 5

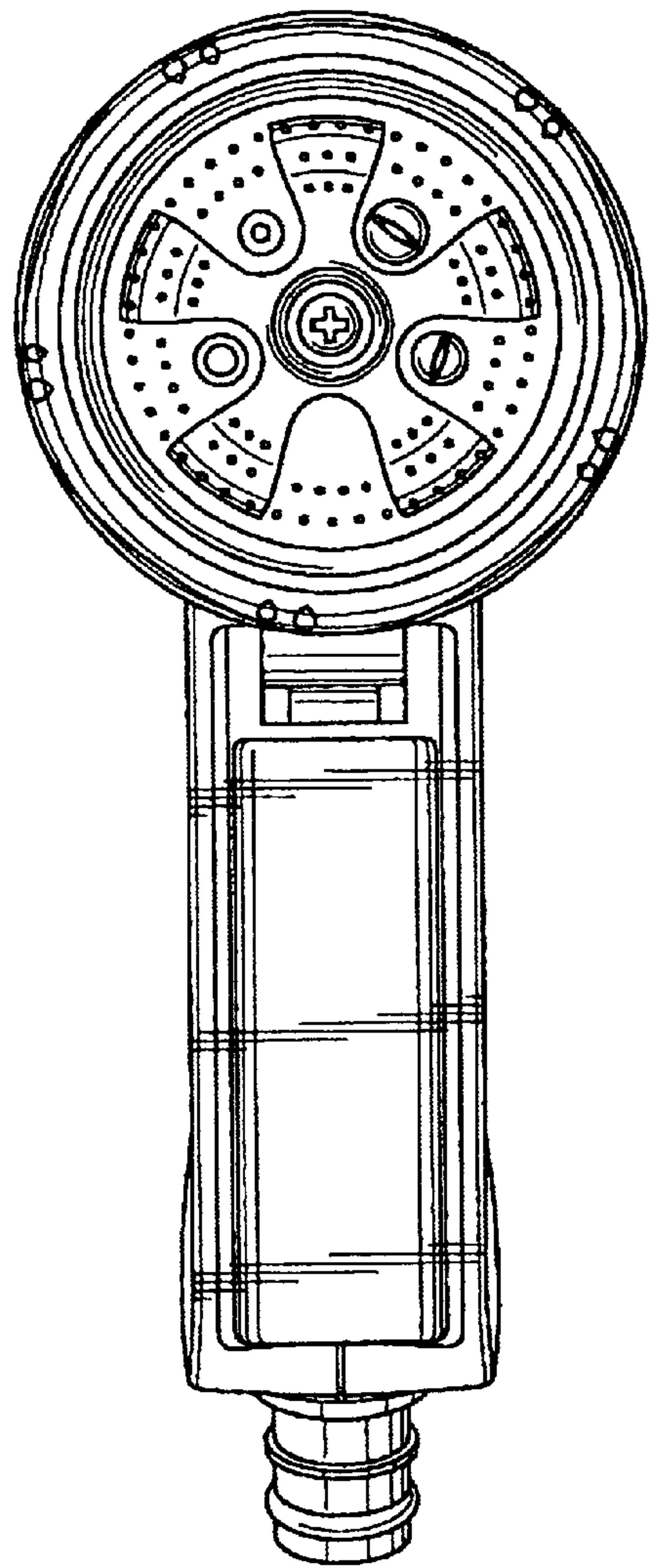


FIG. 4

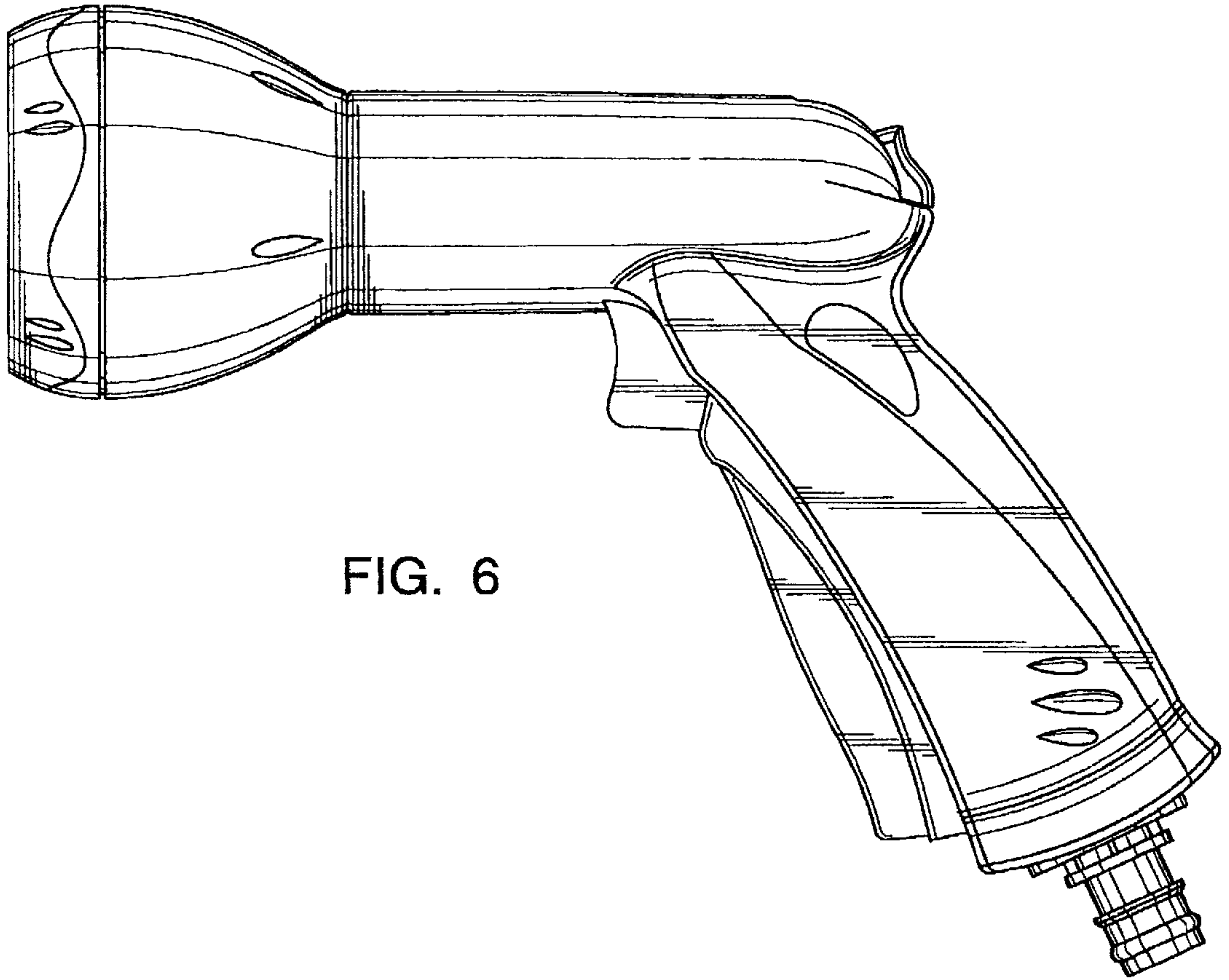


FIG. 6

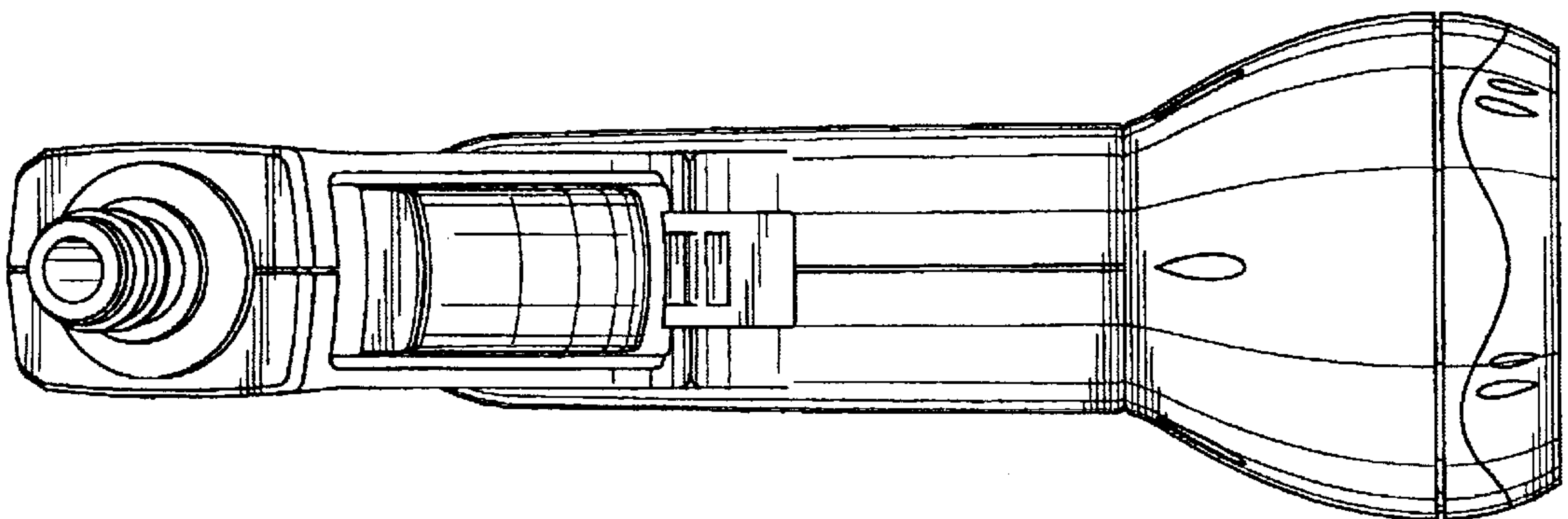


FIG. 7