



US00D447538B1

(12) **United States Design Patent**
Chao

(10) **Patent No.:** **US D447,538 S**

(45) **Date of Patent:** **** Sep. 4, 2001**

(54) **WATER SPRINKLING DEVICE**

D. 403,744 * 1/1999 Hsueh D23/216

(76) Inventor: **Hui-Chen Chao**, 75, Liao Tsuo Hsiang
Liao Tsuo Li, Lu Kang Chen, Chang
Hua Hsien (TW)

* cited by examiner

Primary Examiner—Robin V. Taylor
(74) *Attorney, Agent, or Firm*—Harrison & Egbert

(**) Term: **14 Years**

(57) **CLAIM**

(21) Appl. No.: **29/133,740**

I claim the ornamental design for a water sprinkling device,
as shown and described.

(22) Filed: **Dec. 4, 2000**

DESCRIPTION

(51) **LOC (7) Cl.** **23-01**

FIG. 1 is an upper perspective view of the water sprinkling
device showing my design.

(52) **U.S. Cl.** **D23/216**

FIG. 2 is a front view thereof;

(58) **Field of Search** D23/213–216;
239/240–242

FIG. 3 is a back view thereof;

FIG. 4 is a side view thereof;

FIG. 5 is an opposite side view thereof;

FIG. 6 is a top view thereof; and,

FIG. 7 is a bottom view thereof.

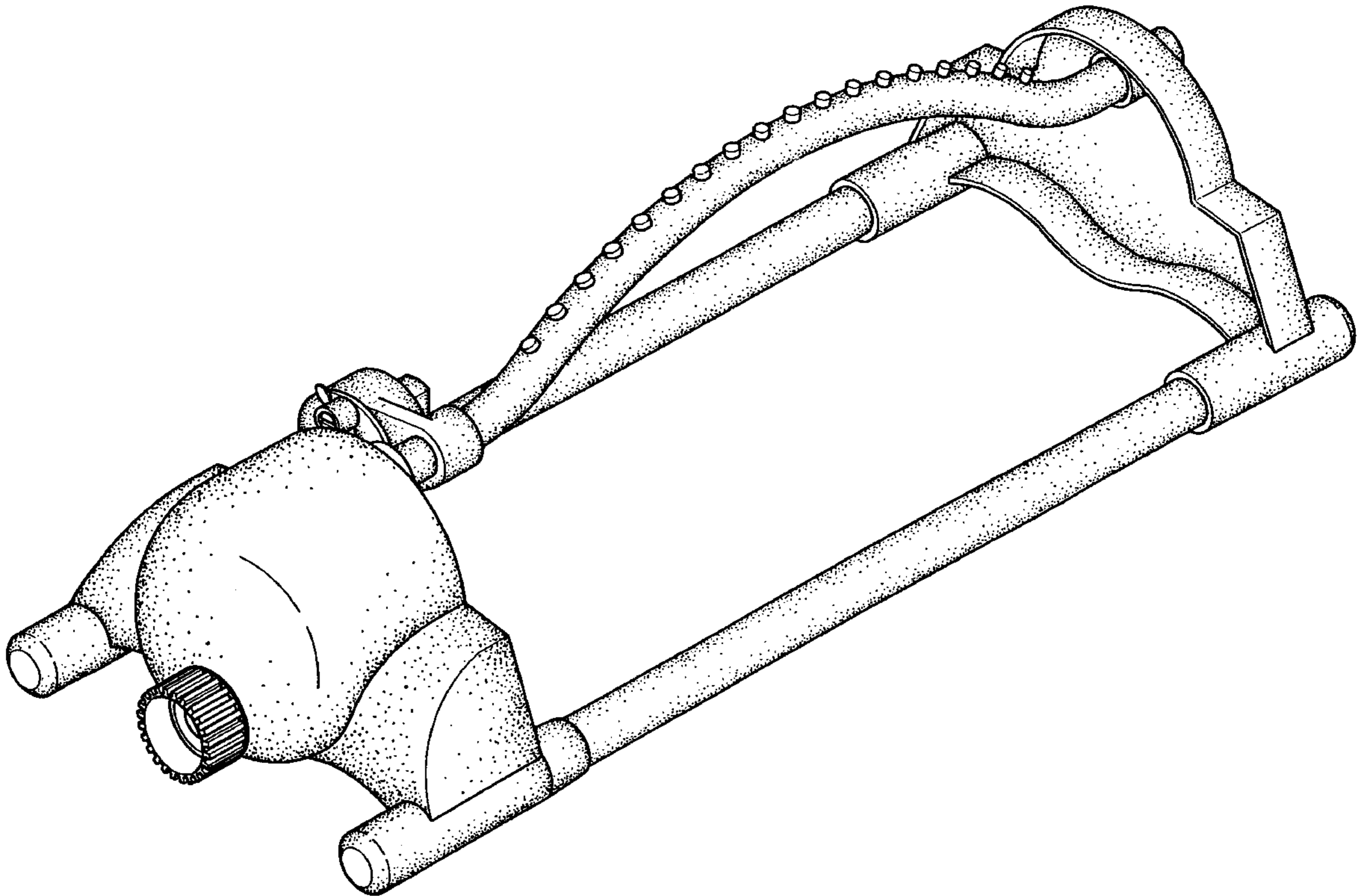
(56) **References Cited**

U.S. PATENT DOCUMENTS

D. 250,769 * 1/1979 Dadson D23/216

D. 269,367 * 6/1983 Mackay et al. D23/216

1 Claim, 6 Drawing Sheets



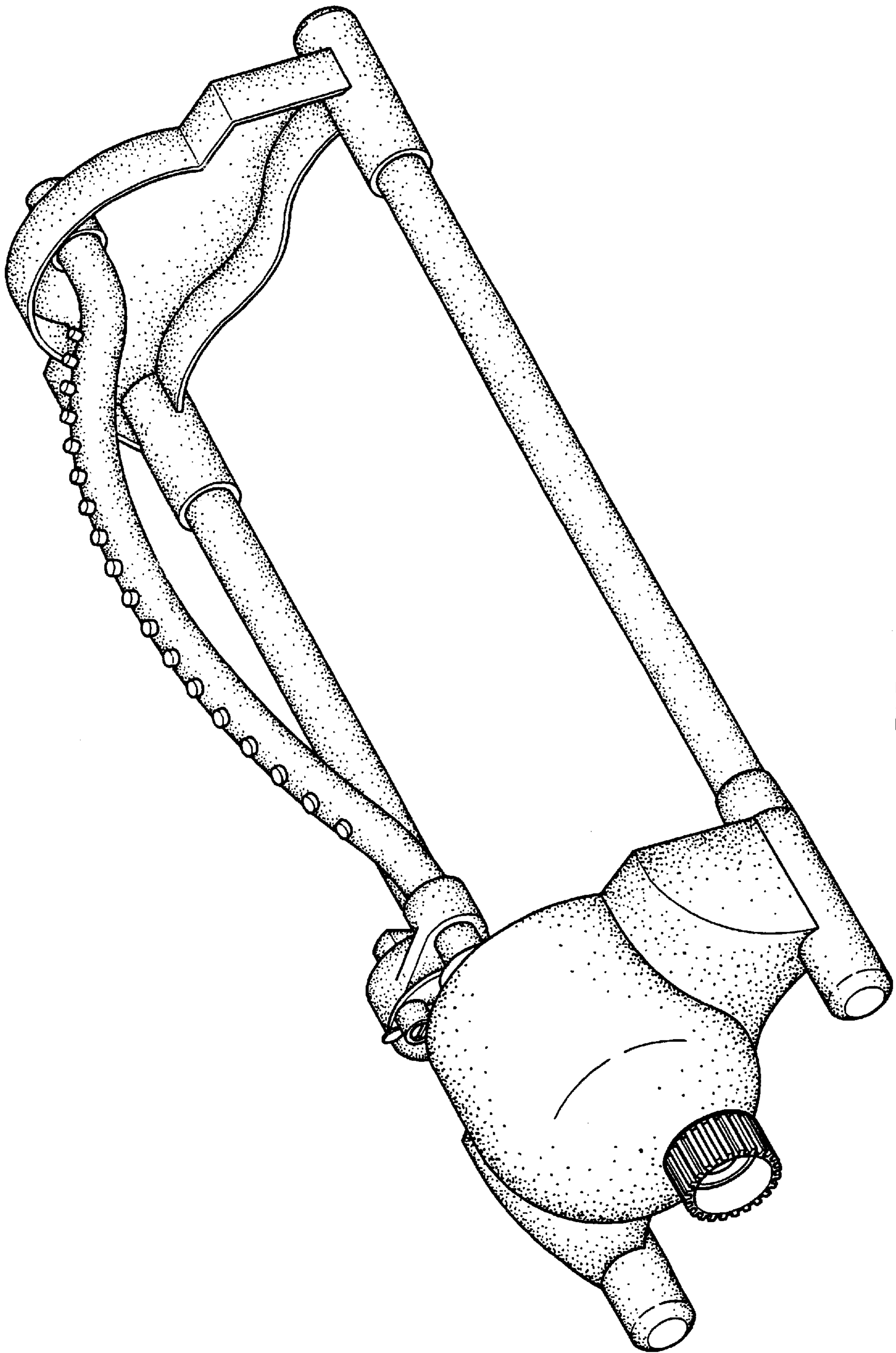


FIG.1

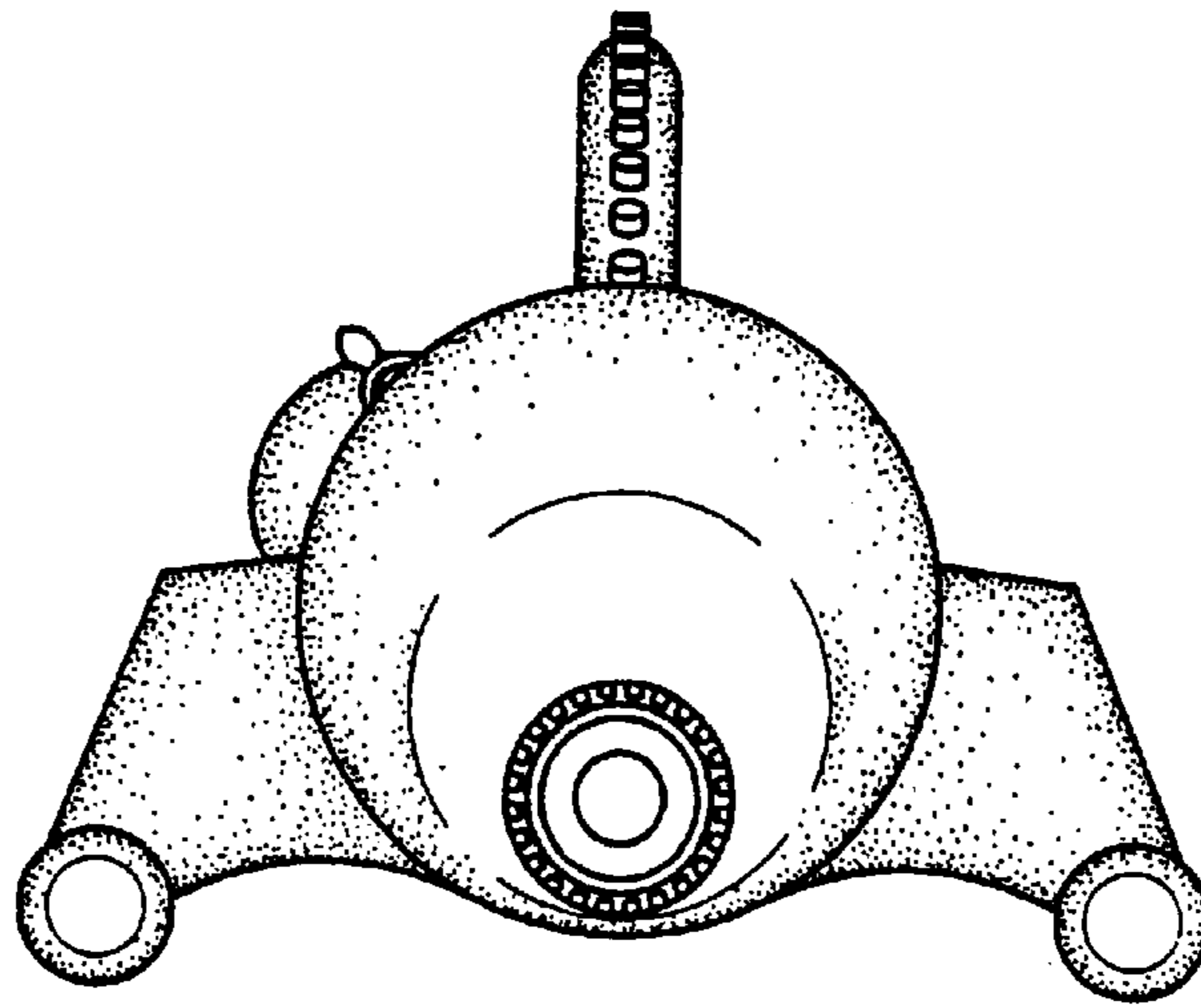


FIG. 2

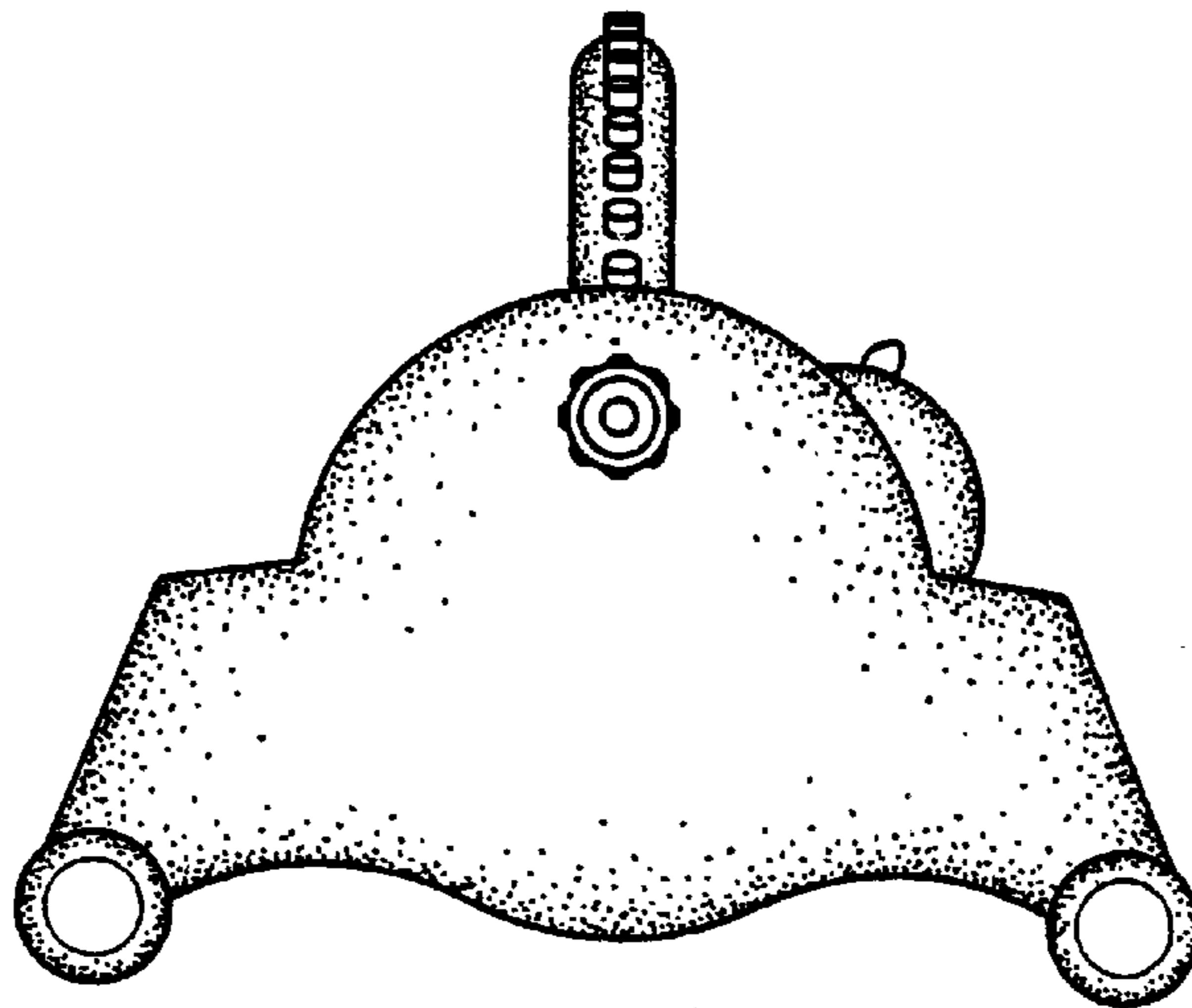


FIG. 3

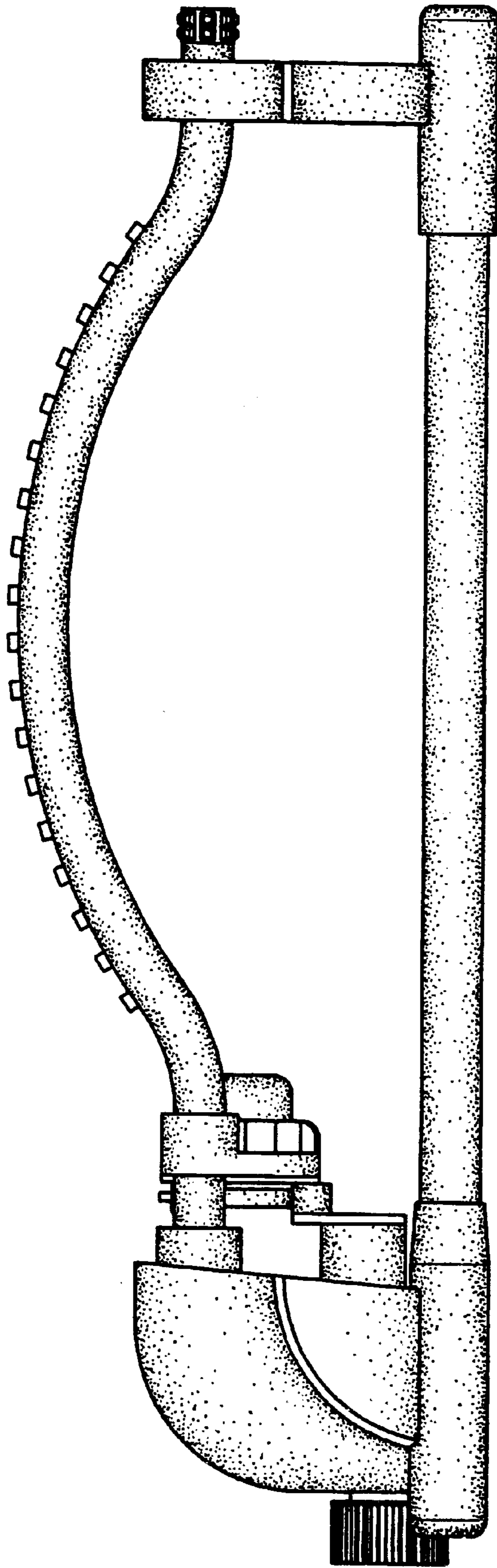


FIG. 4

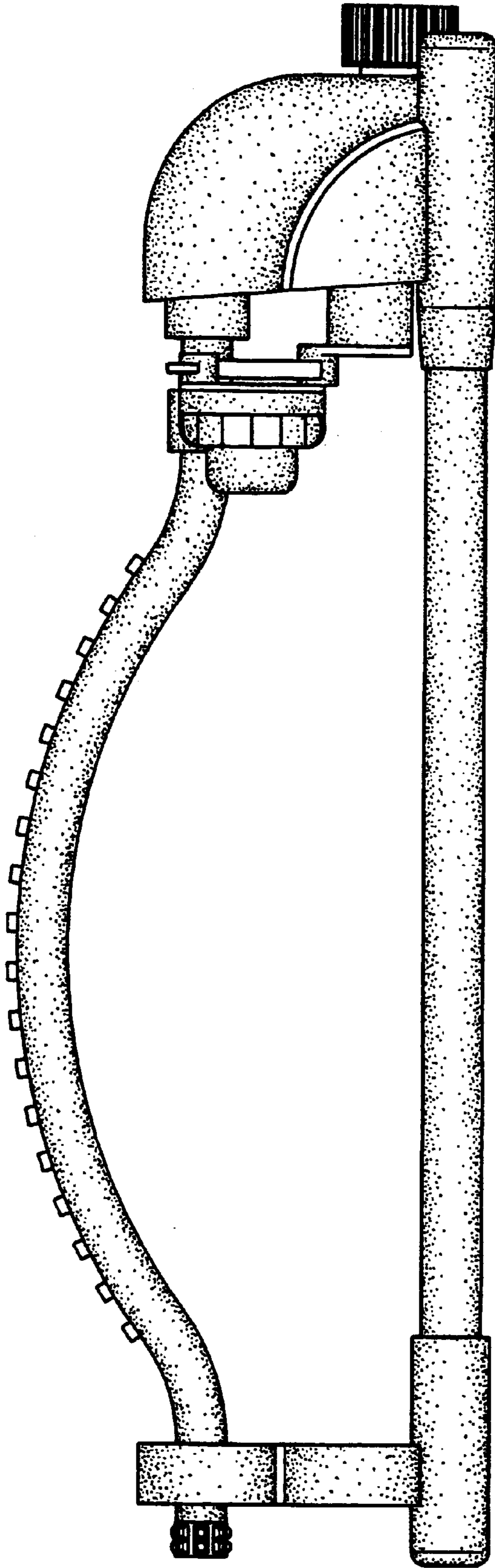


FIG. 5

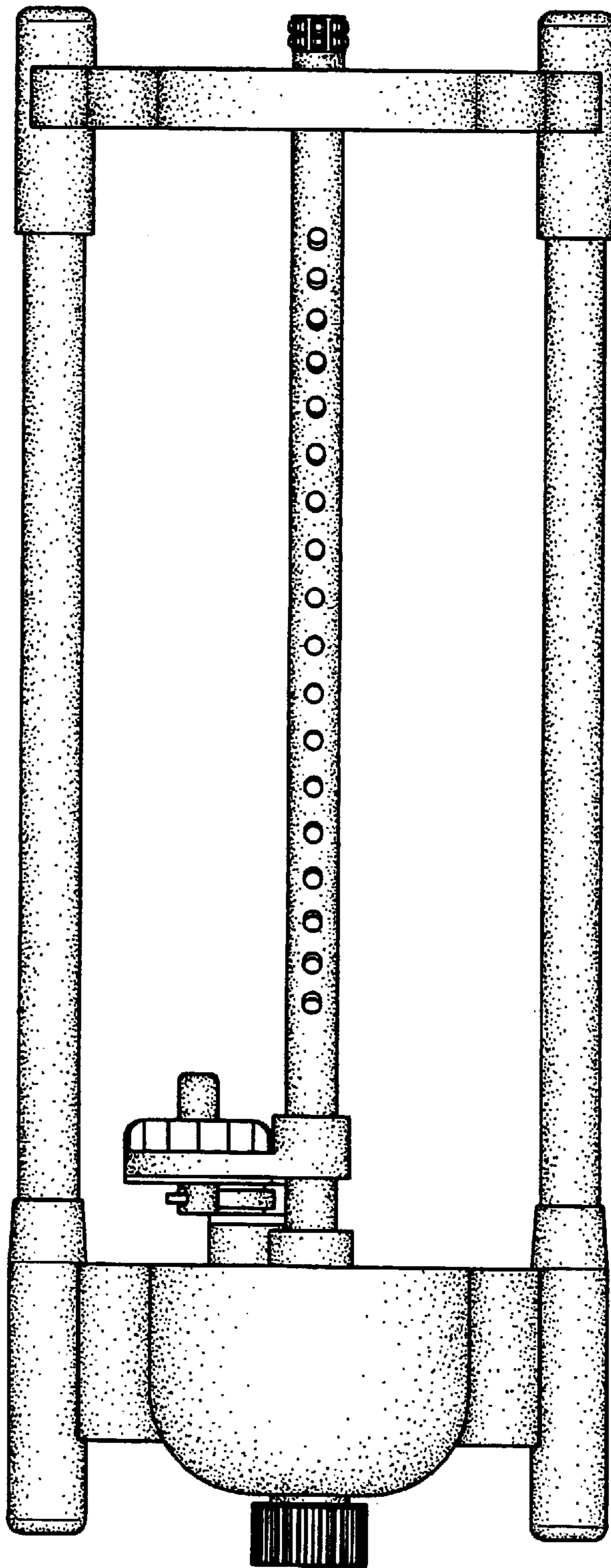


FIG.6

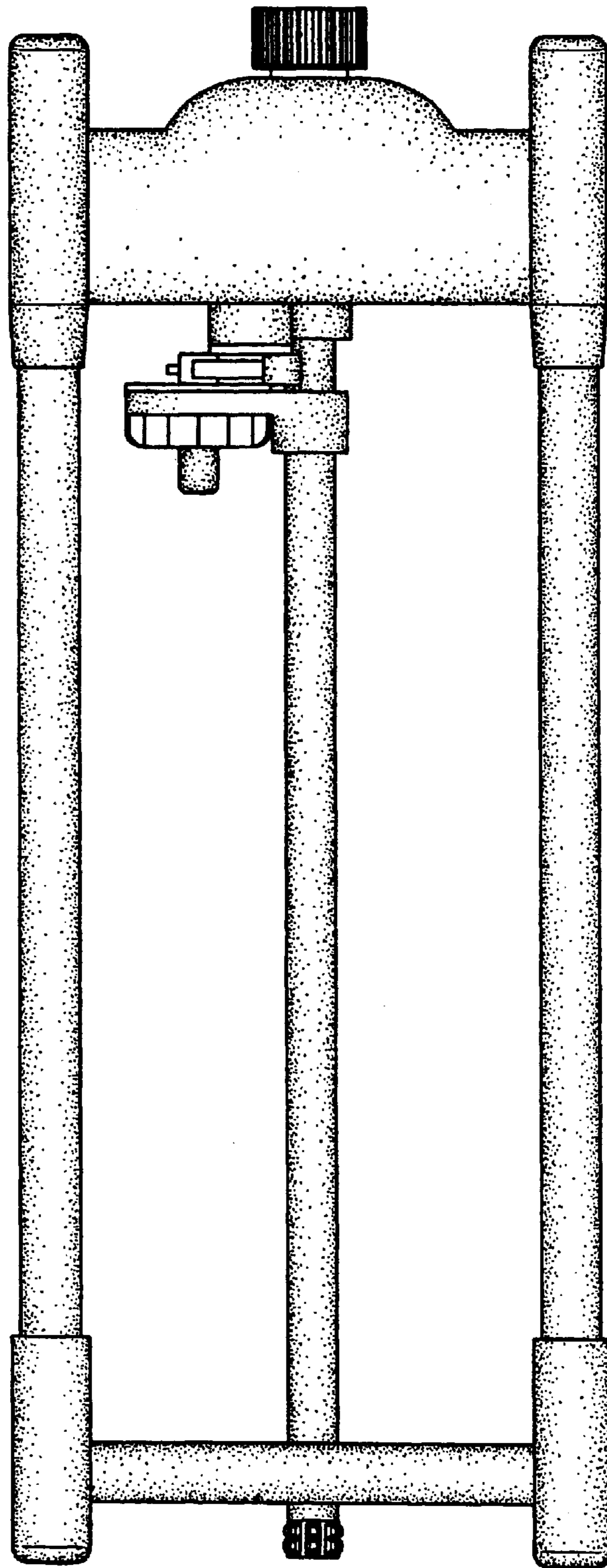


FIG. 7