



US00D447536B1

(12) **United States Design Patent**
Robidoux

(10) **Patent No.:** **US D447,536 S**

(45) **Date of Patent:** **** Sep. 4, 2001**

(54) **SPRAY GUN NOZZLE**

4,819,879 * 4/1989 Sharpless et al. 239/691
5,678,770 * 10/1997 Shah 239/690

(75) Inventor: **Mark Alan Robidoux**, Coatesville, PA
(US)

* cited by examiner

(73) Assignee: **The Easthill Group, Inc.**, Pottstown,
PA (US)

Primary Examiner—Robin V. Taylor

(74) *Attorney, Agent, or Firm*—Duane Morris & Heckscher
Llp.

(**) Term: **14 Years**

(57) **CLAIM**

(21) Appl. No.: **29/133,914**

The ornamental design for a spray gun nozzle, as shown and
described.

(22) Filed: **Dec. 11, 2000**

DESCRIPTION

(51) **LOC (7) Cl.** **23-01**

(52) **U.S. Cl.** **D23/213**

(58) **Field of Search** D23/213, 223,
D23/226; 361/227, 228; 239/690, 691,
526

FIG. 1 is a rear perspective view of the spray gun nozzle
according to the invention;

FIG. 2 is a left side view of the spray gun nozzle;

FIG. 3 is a right side view of the spray gun nozzle;

FIG. 4 is a rear view of the spray gun nozzle;

FIG. 5 is a front view of the spray gun nozzle;

FIG. 6 is a top view of the spray gun nozzle; and,

FIG. 7 is a bottom view of the spray gun nozzle.

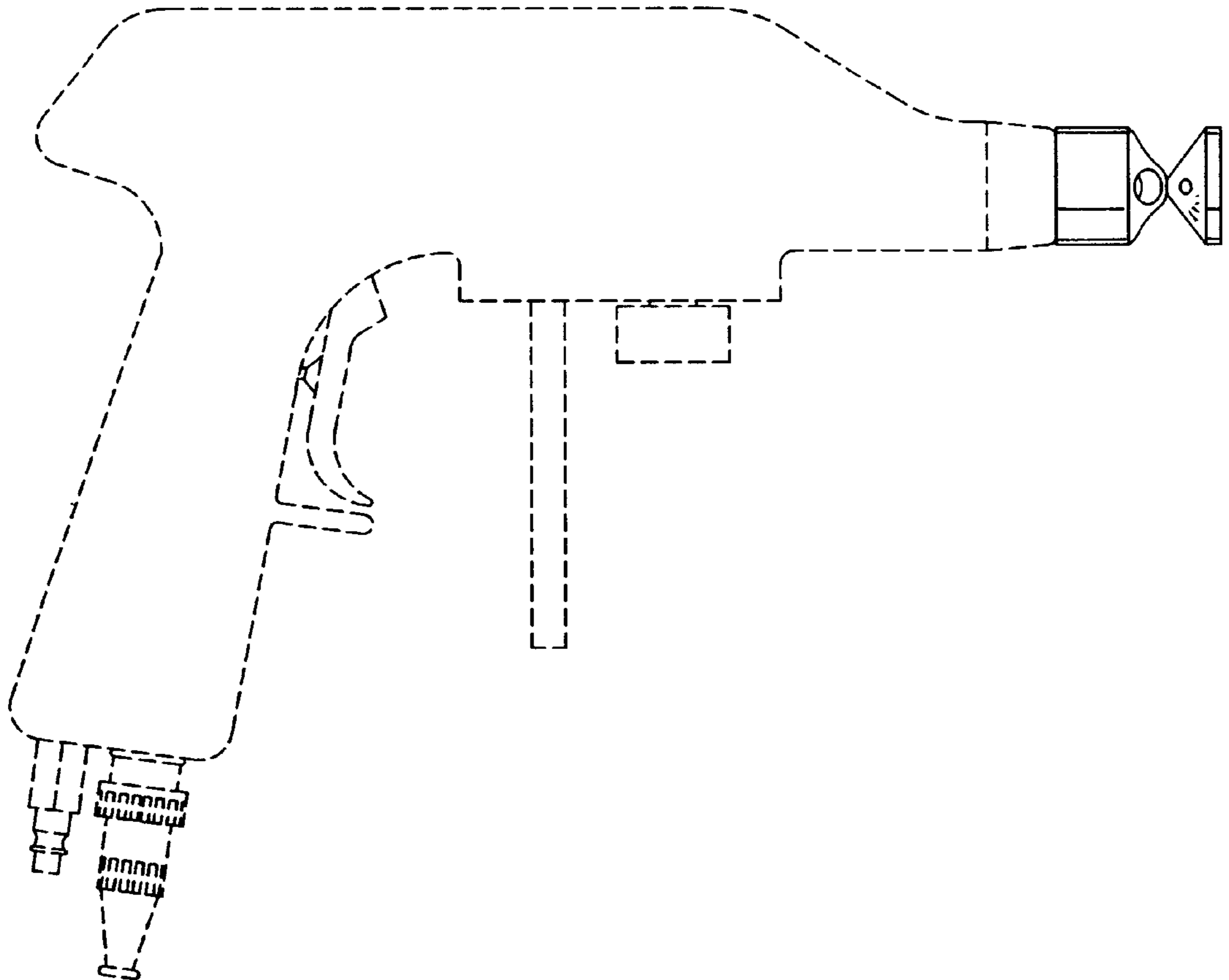
The broken line showing of a spray gun and container is for
illustrative purposes only and forms no part of the claimed
design.

(56) **References Cited**

U.S. PATENT DOCUMENTS

- D. 283,832 * 5/1986 Weinstein et al. D23/213
- D. 288,954 * 3/1987 Mcdermott et al. D23/213
- D. 396,523 * 7/1998 Adams D23/213
- D. 408,889 * 4/1999 Hui-Chen D23/223
- 4,548,363 * 10/1985 McDonough 361/227

1 Claim, 4 Drawing Sheets



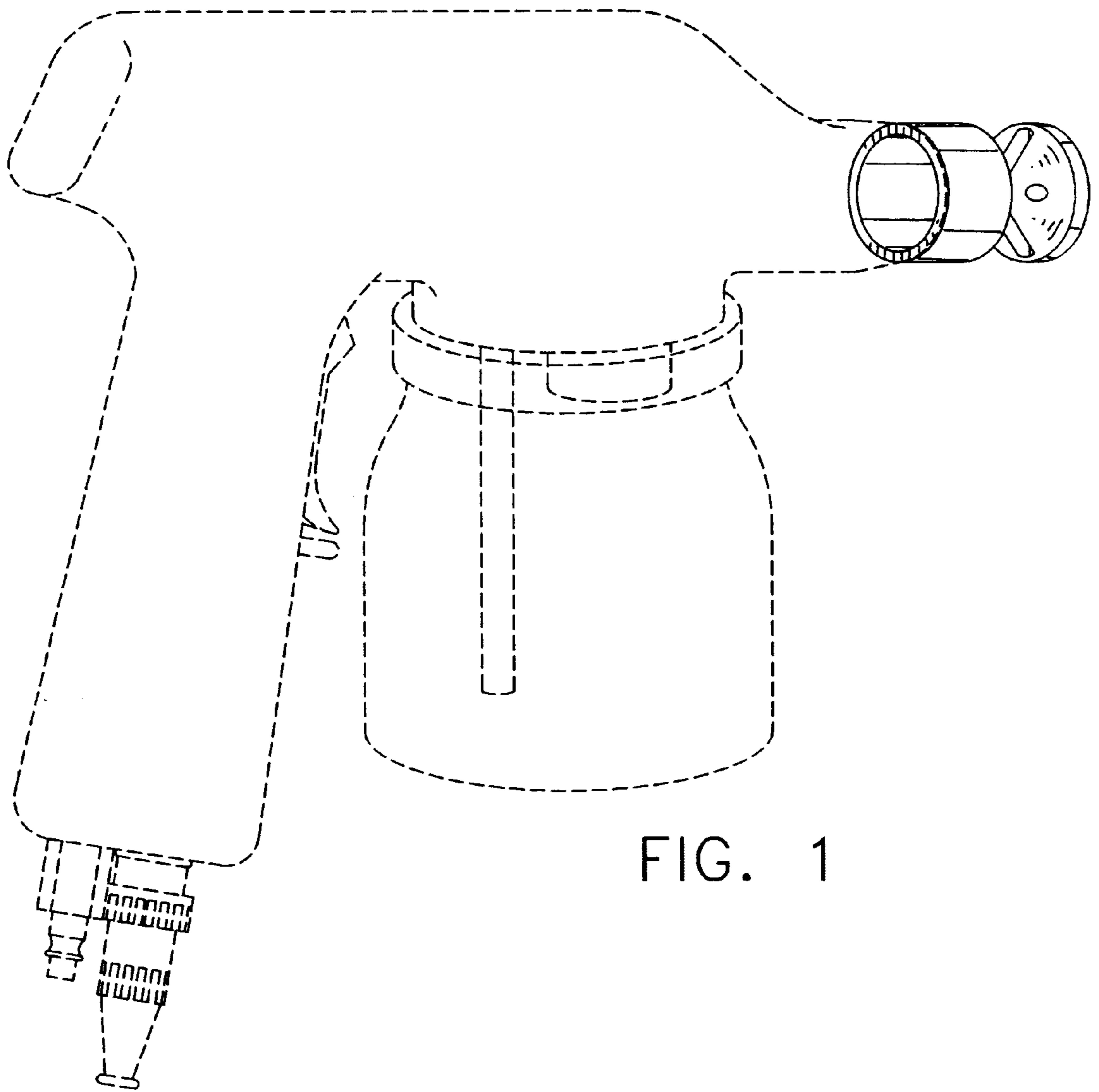


FIG. 1

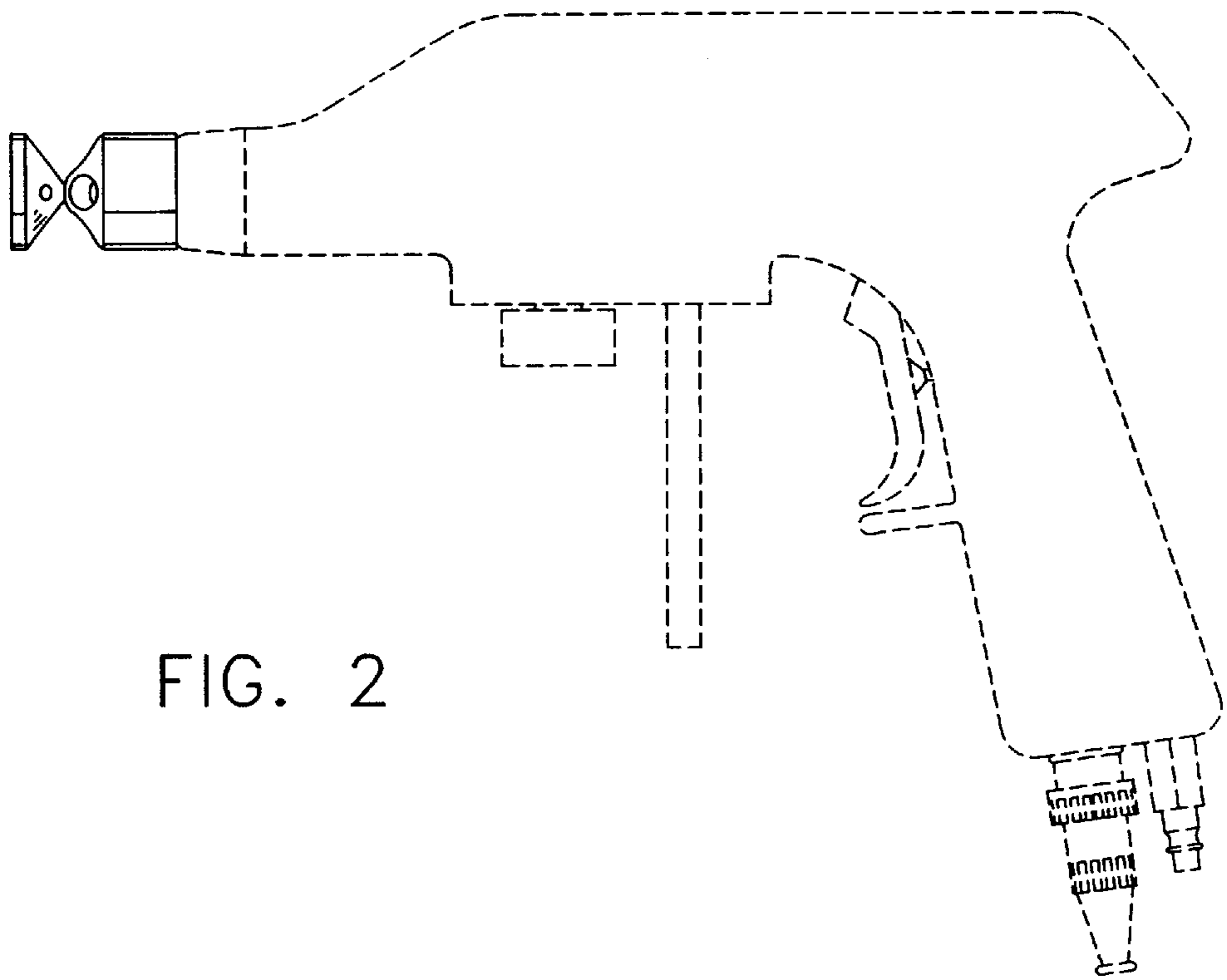


FIG. 2

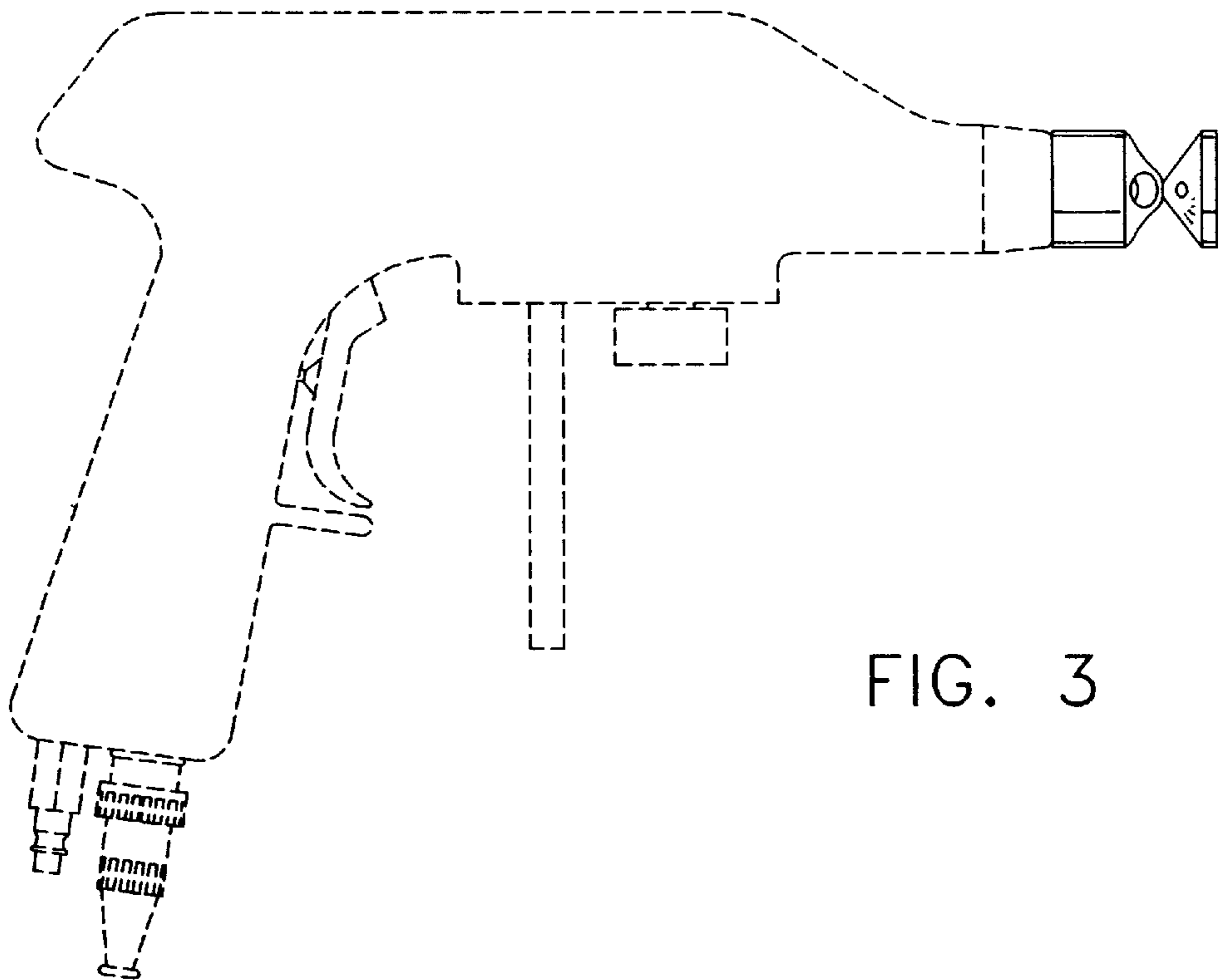


FIG. 3

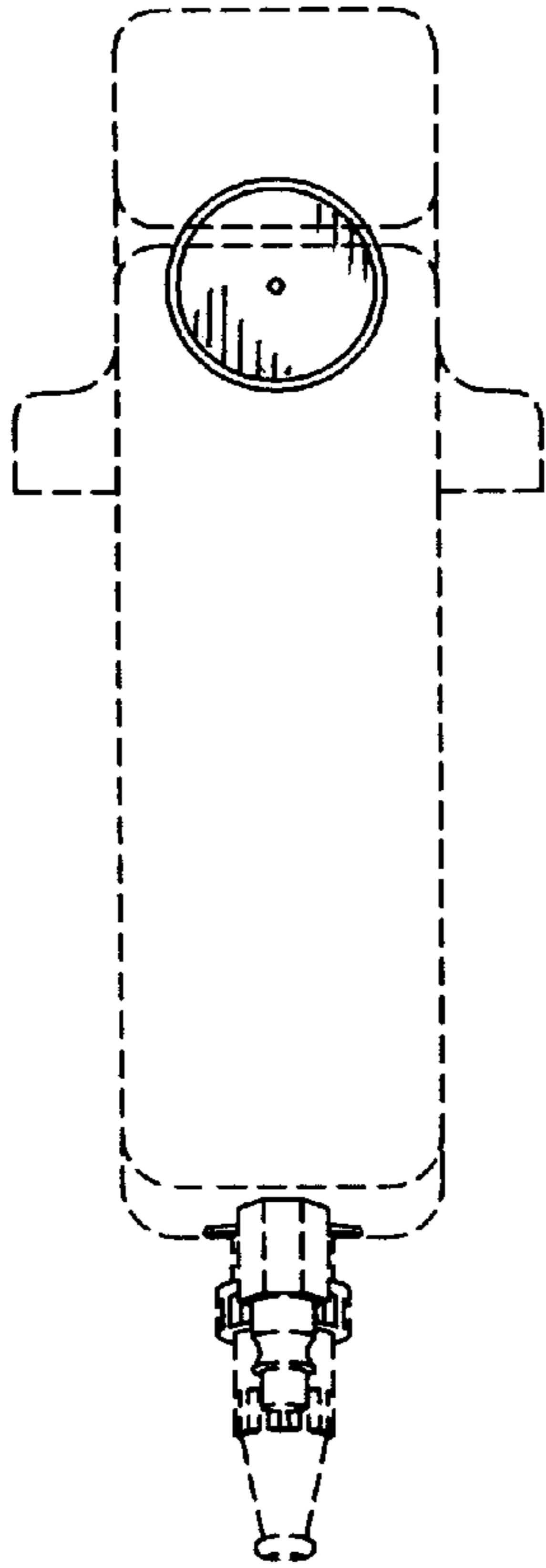


FIG. 4

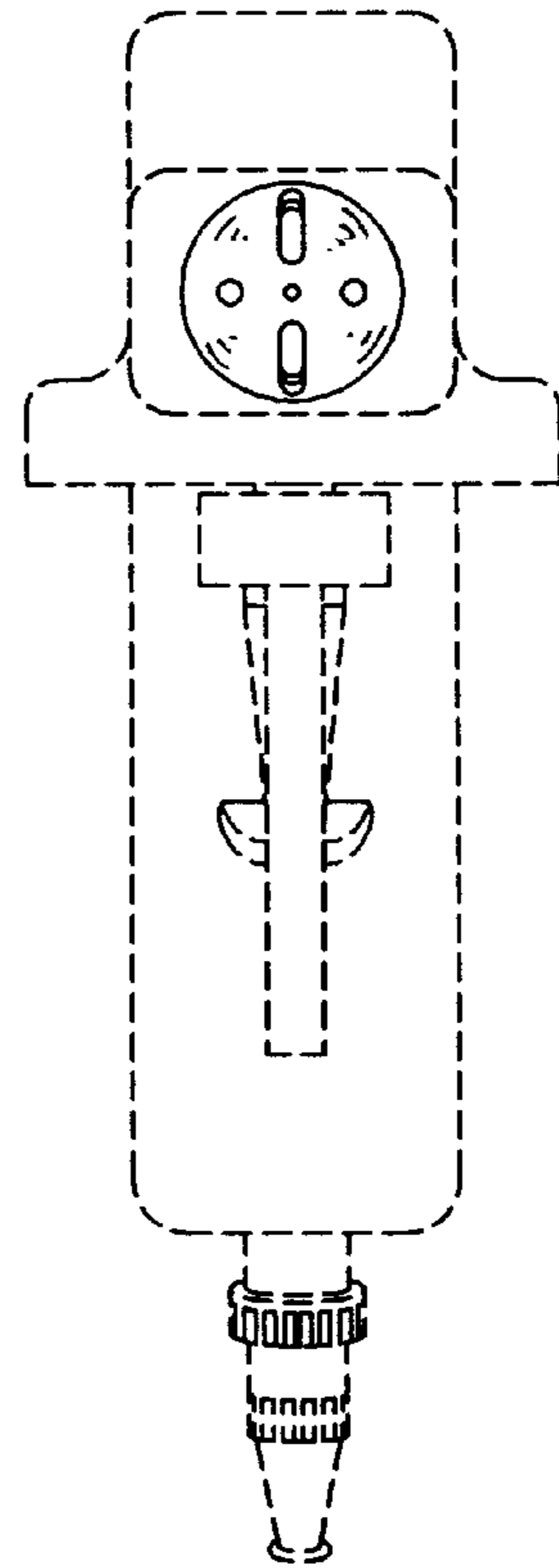


FIG. 5

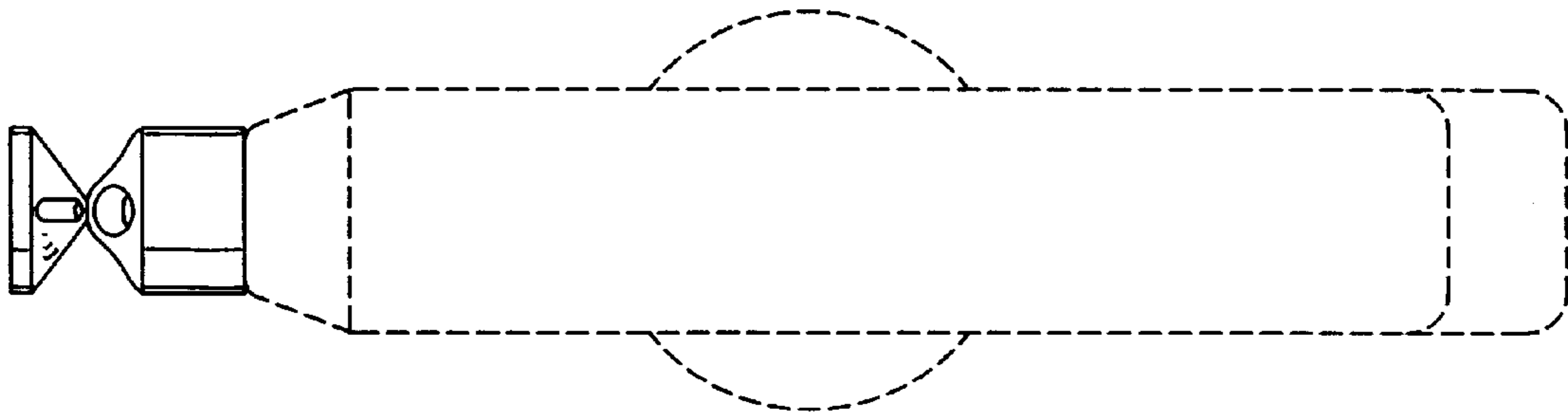


FIG. 6

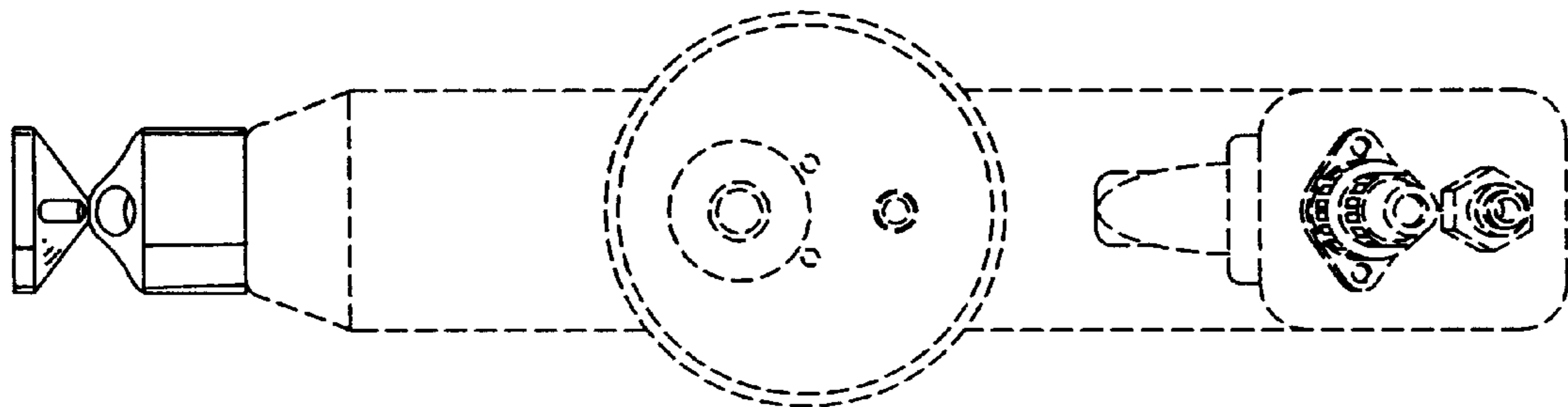


FIG. 7