



US00D447535B1

(12) **United States Design Patent**
Oakley

(10) **Patent No.:** **US D447,535 S**

(45) **Date of Patent:** **** Sep. 4, 2001**

(54) **MOBILE SUPPLY TANK**

6,006,588 * 12/1999 Cartwright 220/4.12

(75) Inventor: **Brett Oakley**, Middletown, OH (US)

* cited by examiner

(73) Assignee: **Mar-Flex Systems, Inc.**, Middletown, OH (US)

Primary Examiner—Robin V. Taylor
(74) *Attorney, Agent, or Firm*—Biebel & French

(**) Term: **14 Years**

(57) **CLAIM**

(21) Appl. No.: **29/125,084**

The ornamental design for a mobile supply tank, as shown and described.

(22) Filed: **Jun. 16, 2000**

DESCRIPTION

(51) **LOC (7) Cl.** **23-01**

(52) **U.S. Cl.** **D23/202; D12/95**

(58) **Field of Search** D23/200, 202, D23/203; D12/95; 220/565, 567, 4.12

FIG. 1 is a perspective view of the mobile supply tank of the present invention;

FIG. 2 is a front elevational view thereof;

FIG. 3 is a back elevational view thereof;

FIG. 4 is a left side elevational view thereof;

FIG. 5 is a right side elevational view thereof;

FIG. 6 is a top plan view; and,

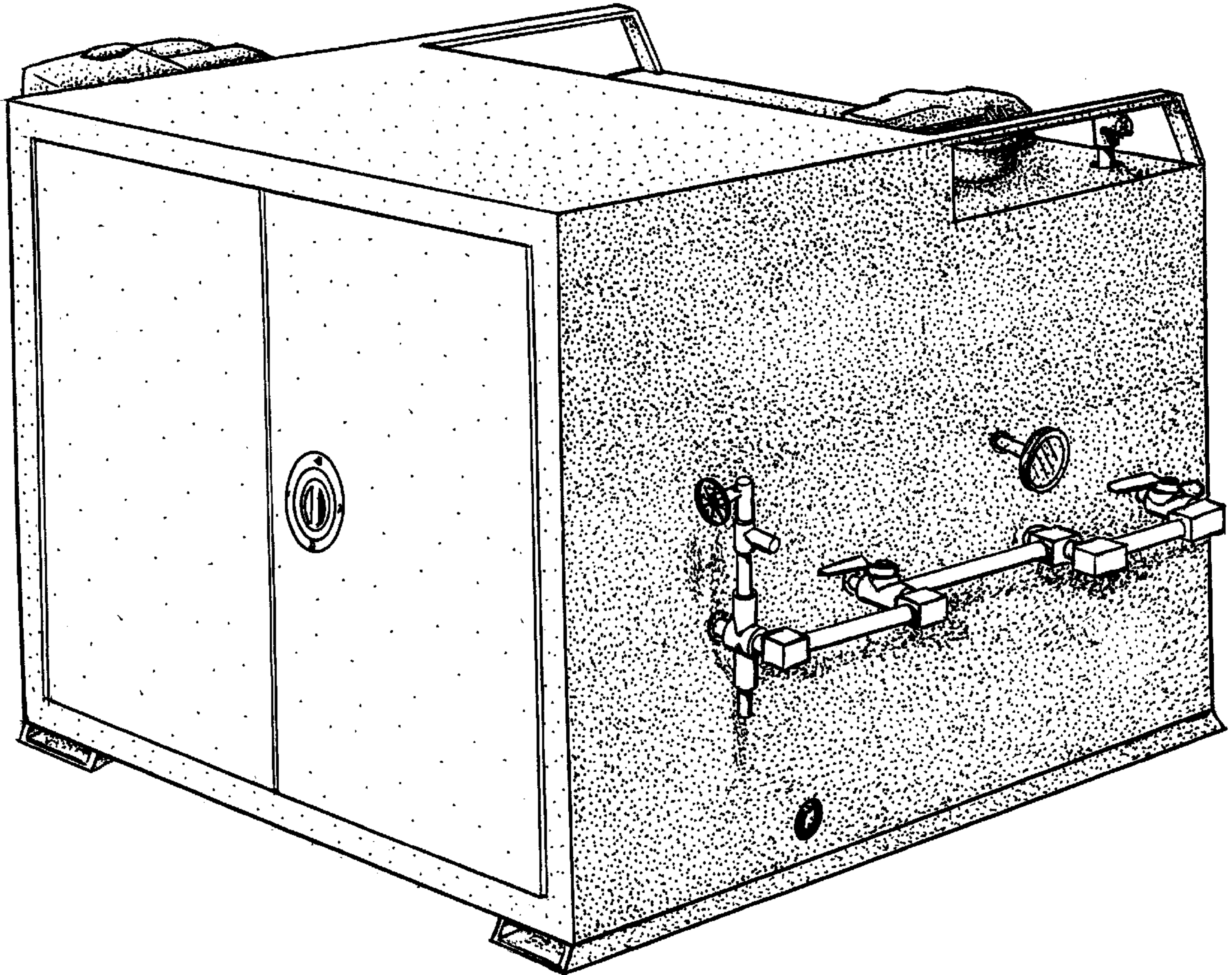
FIG. 7 is a bottom plan view.

(56) **References Cited**

U.S. PATENT DOCUMENTS

- D. 296,027 * 5/1988 Dietzen D23/202
- D. 301,793 * 6/1989 Wingbro et al. D12/95
- D. 337,809 * 7/1993 Dietzen D23/202

1 Claim, 6 Drawing Sheets



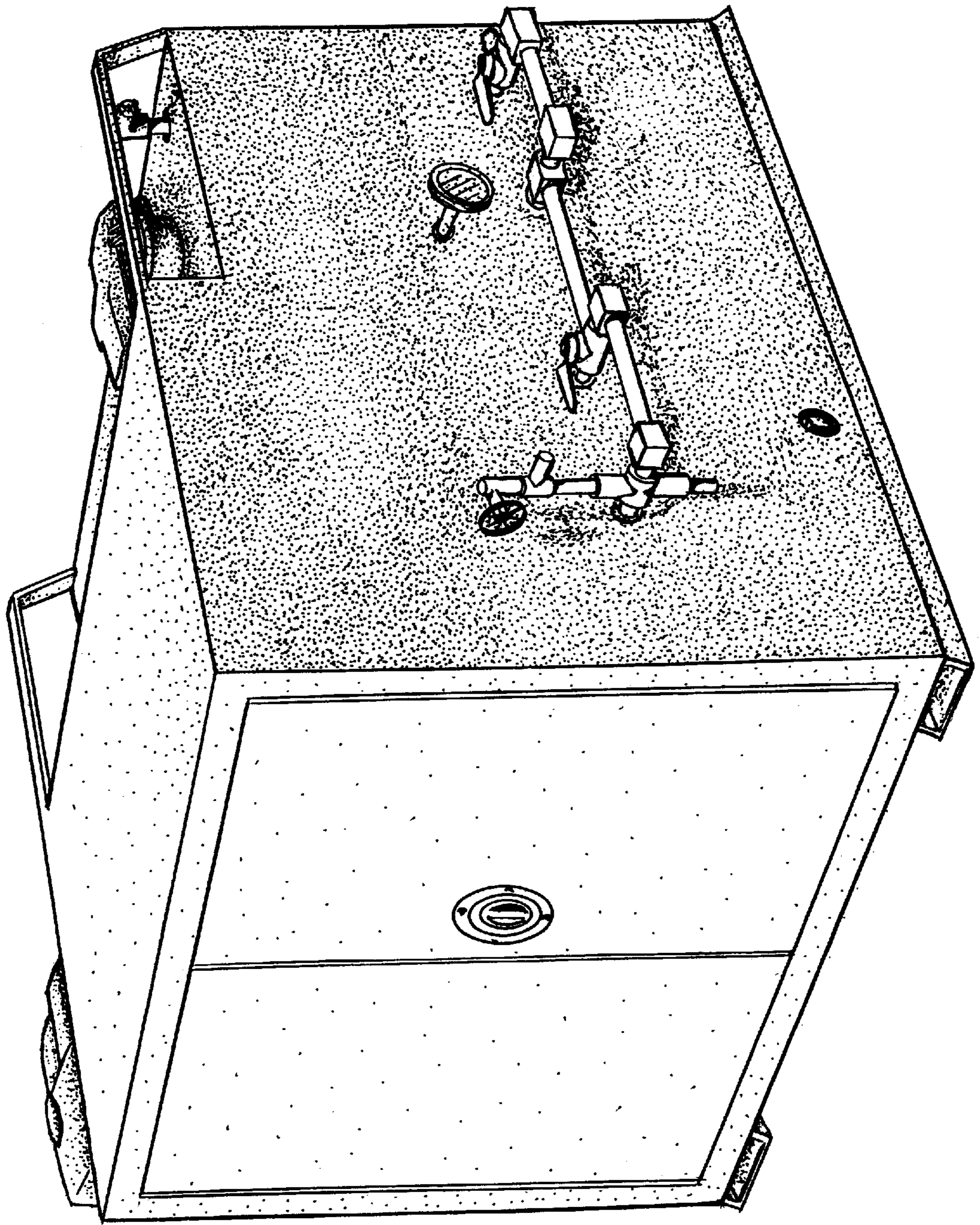


FIG - 1

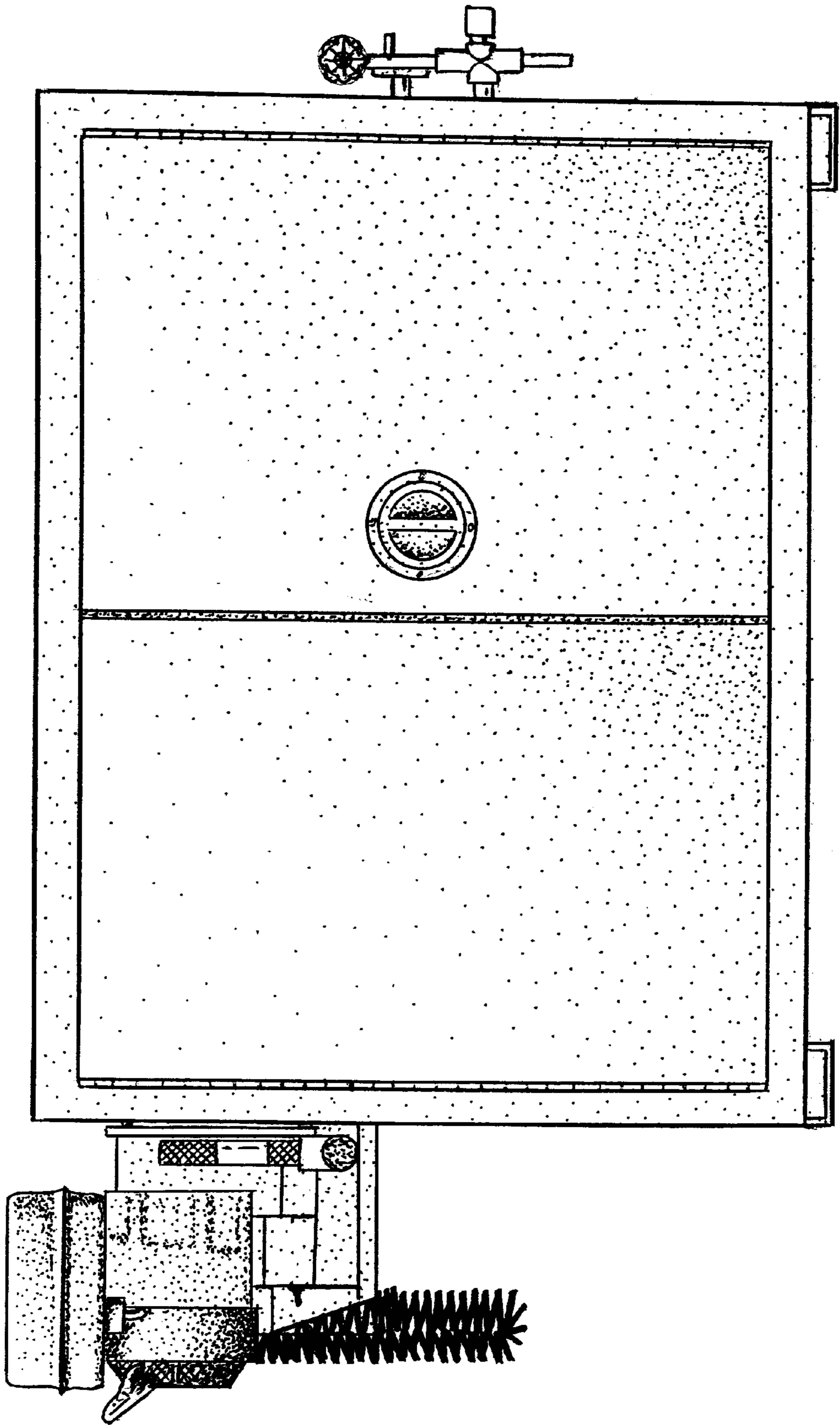


FIG - 2

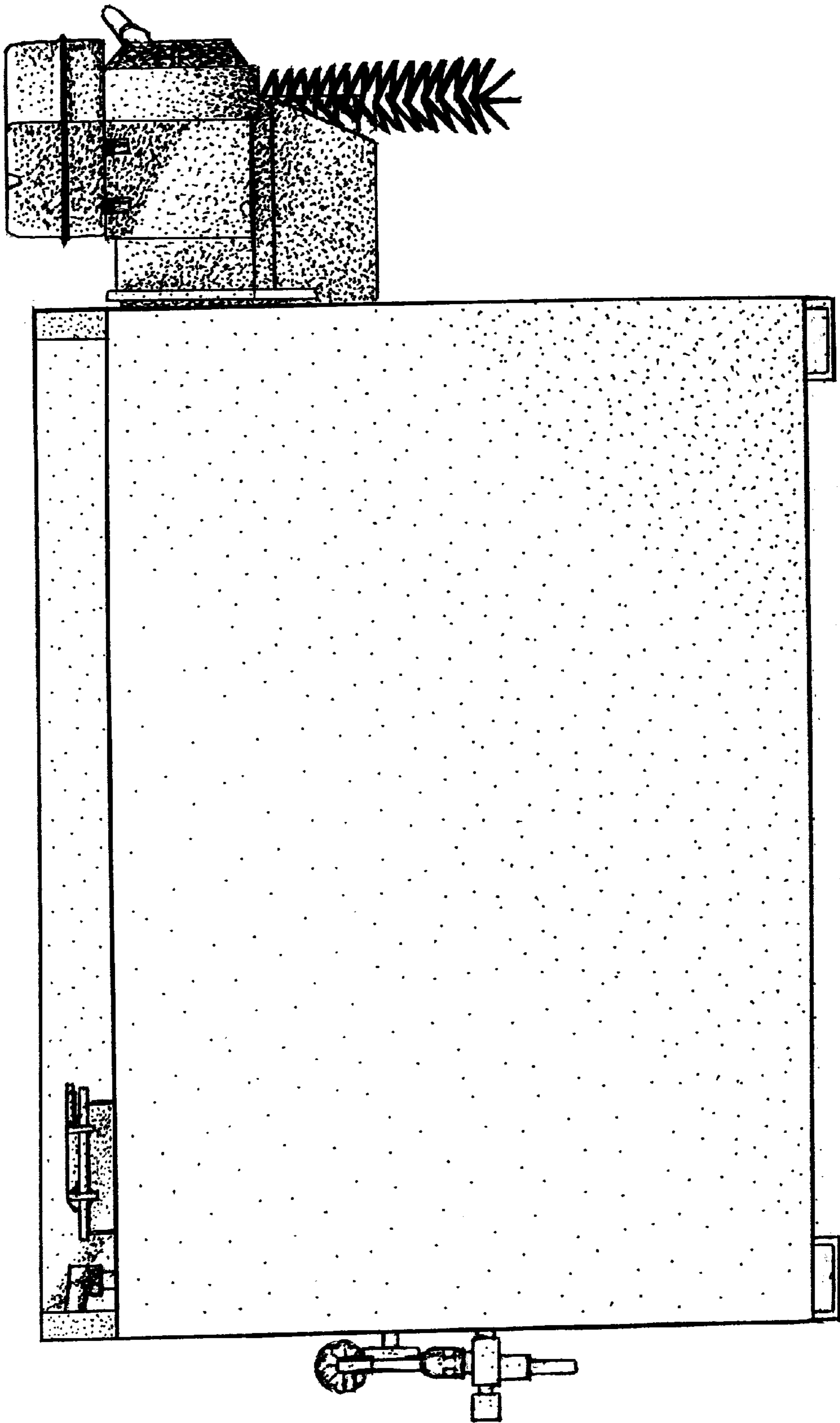


FIG-3

FIG - 4

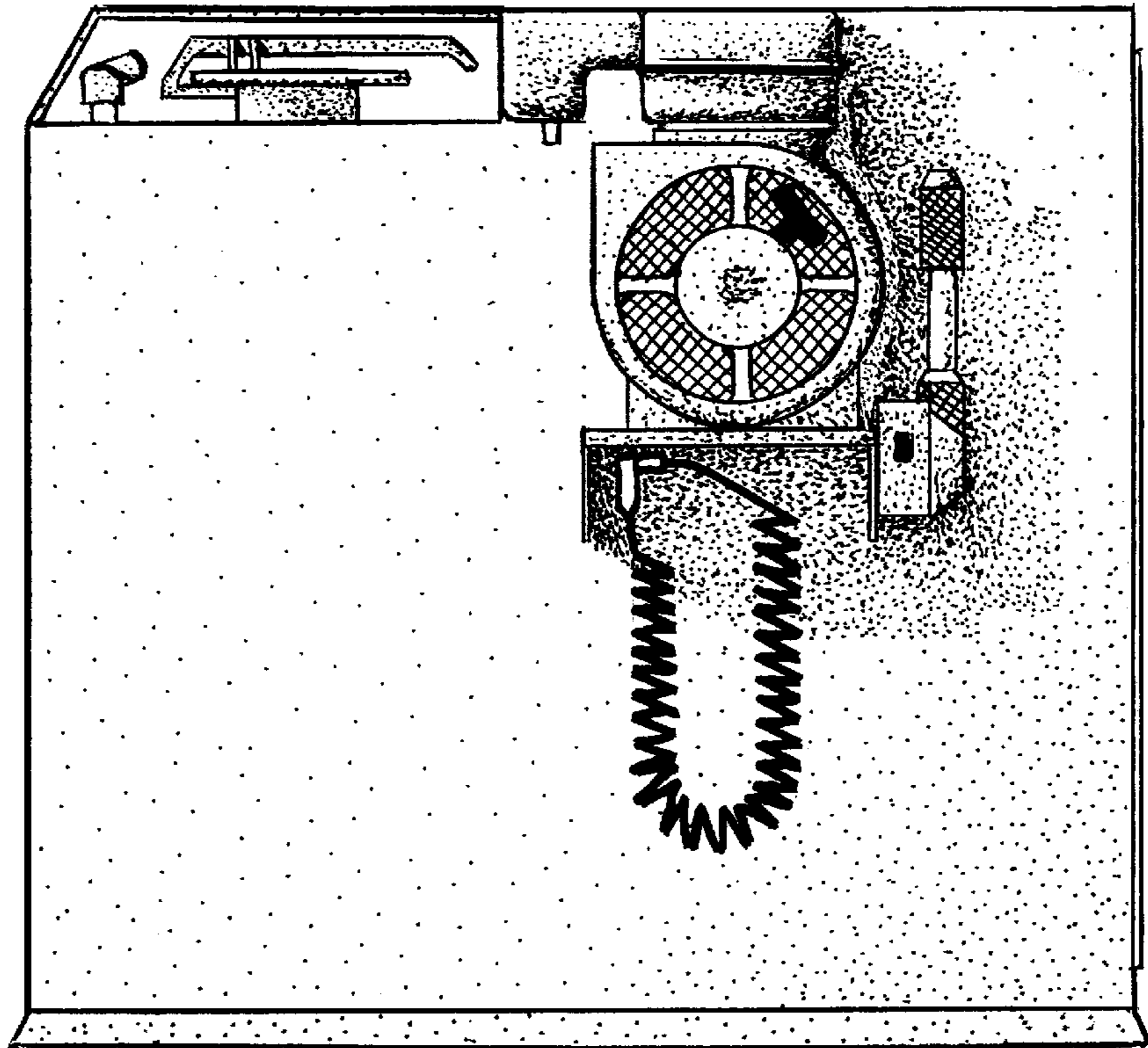
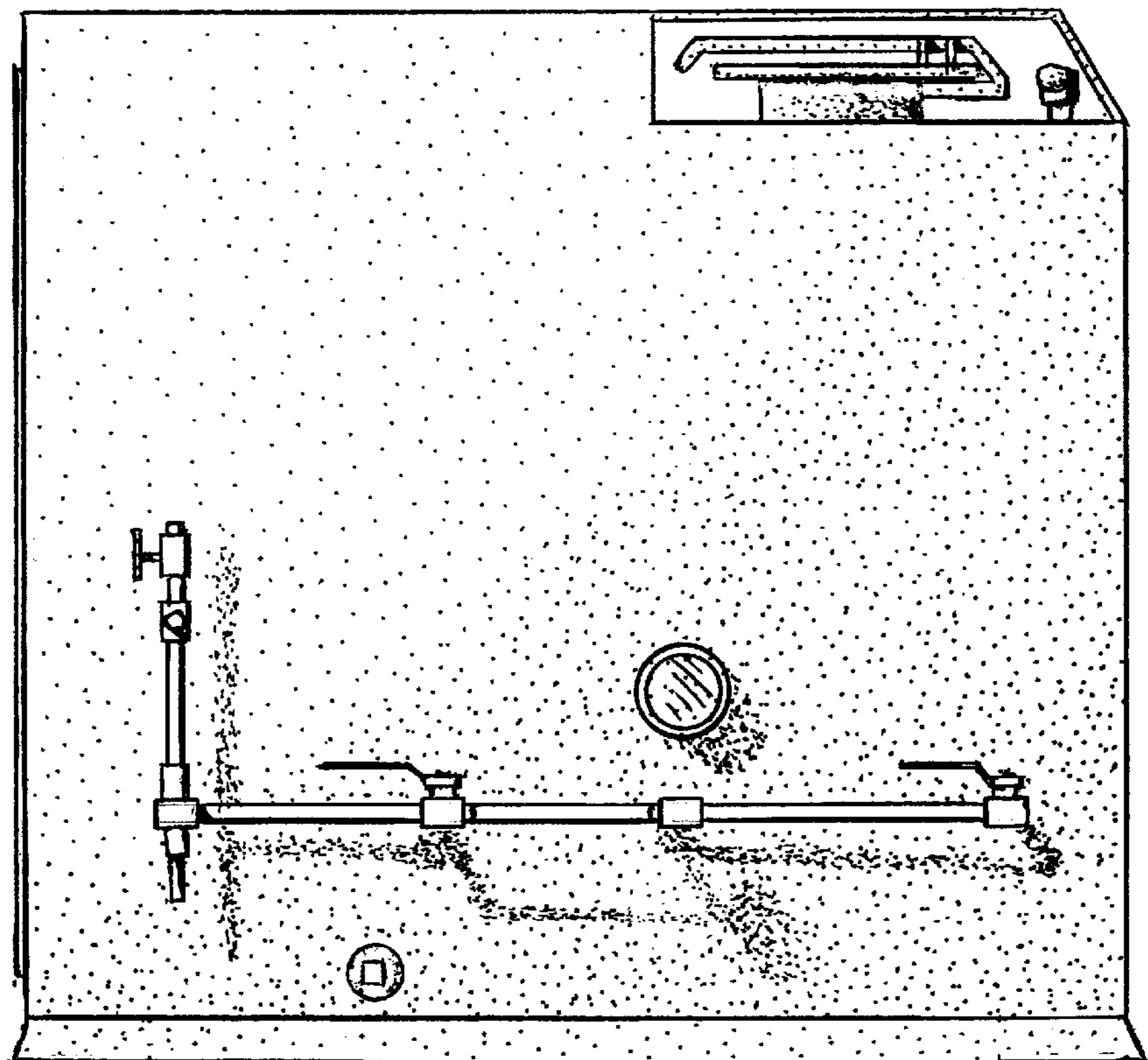


FIG - 5



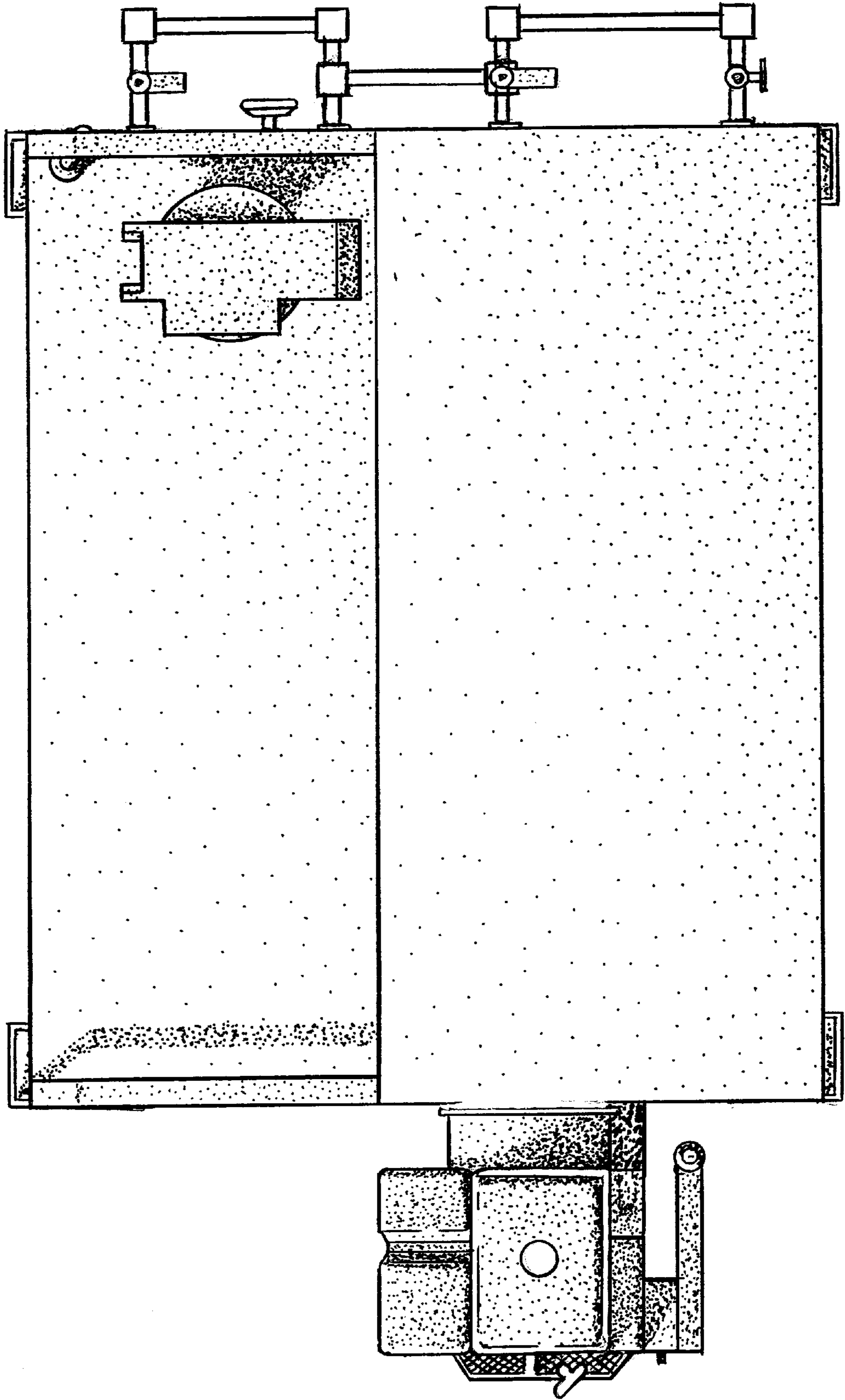


FIG - 6

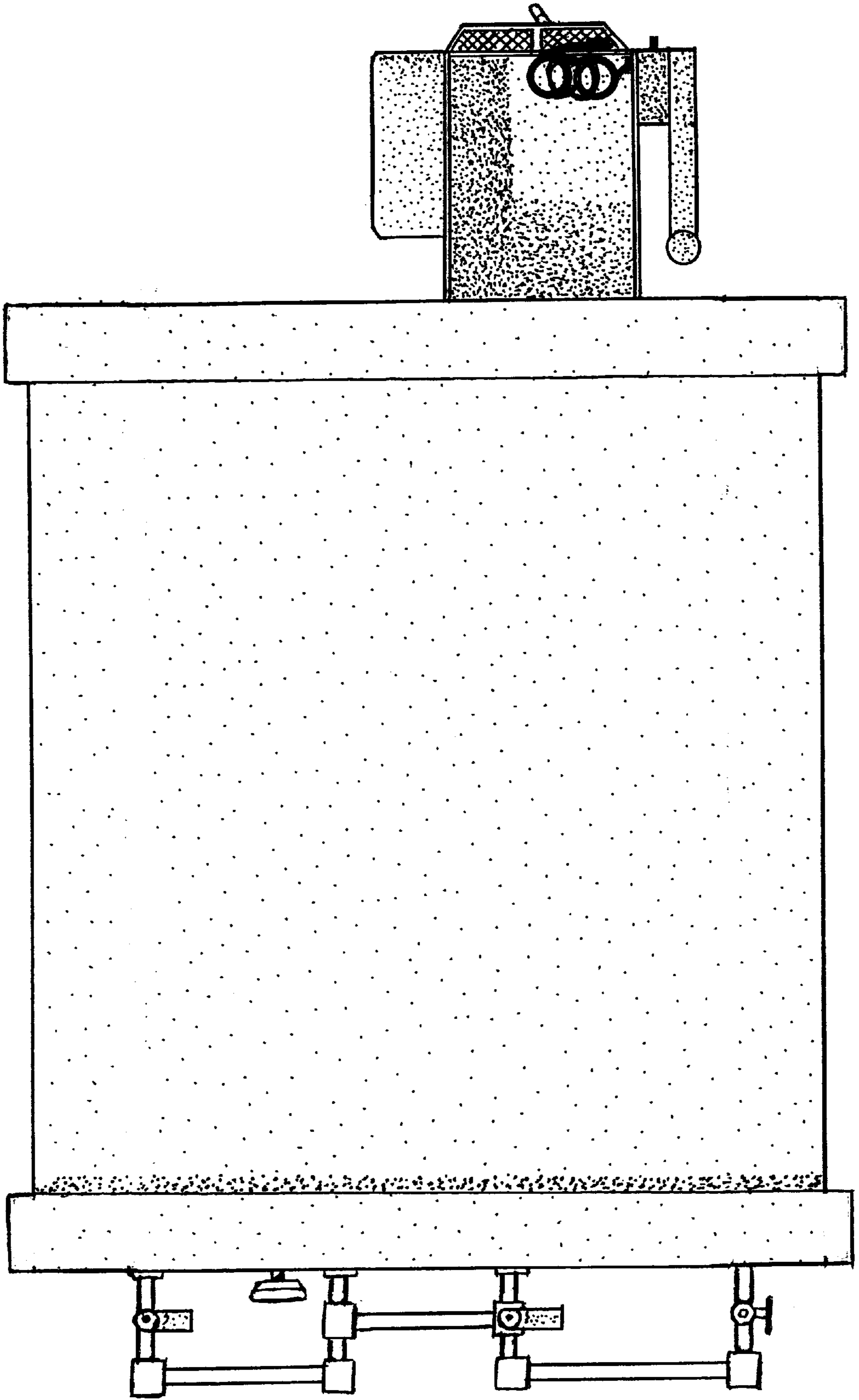


FIG-7