



US00D447534B1

(12) **United States Design Patent**
Wackowski et al.

(10) **Patent No.:** **US D447,534 S**

(45) **Date of Patent:** **** Sep. 4, 2001**

(54) **AUXILIARY HANDLE FOR FISHING POLES AND HAND TOOLS**

4,828,152	*	5/1989	Pepping	224/922
4,858,364	*	8/1989	Butts	43/21.2
5,390,438	*	2/1995	Warren, Jr.	43/23
5,720,081	*	2/1998	Aquilina	294/58

(76) Inventors: **Stephen M Wackowski**, PSC 3, P.O. Box 1276, APO AP, Elmendorf AFB, AK (US) 96266; **Ronald Charles Stout**, 8310 Peck Ave., Anchorage, AK (US) 99504

* cited by examiner

Primary Examiner—Louis S. Zarfaz

Assistant Examiner—Catherine R. Oliver

(74) *Attorney, Agent, or Firm*—Michael J. Tavella

(**) Term: **14 Years**

(57) **CLAIM**

(21) Appl. No.: **29/107,080**

The ornamental design for an auxiliary handle for fishing poles and hand tools, as shown and described.

(22) Filed: **Jun. 25, 1999**

DESCRIPTION

(51) **LOC (7) Cl.** **22-05**

(52) **U.S. Cl.** **D22/147**

(58) **Field of Search** D22/137, 134, D22/149; 43/23, 21.2, 25; D8/1, 303-315; 294/139, 57, 58, 50.8, 15; D15/14, 18; D30/142; 224/922

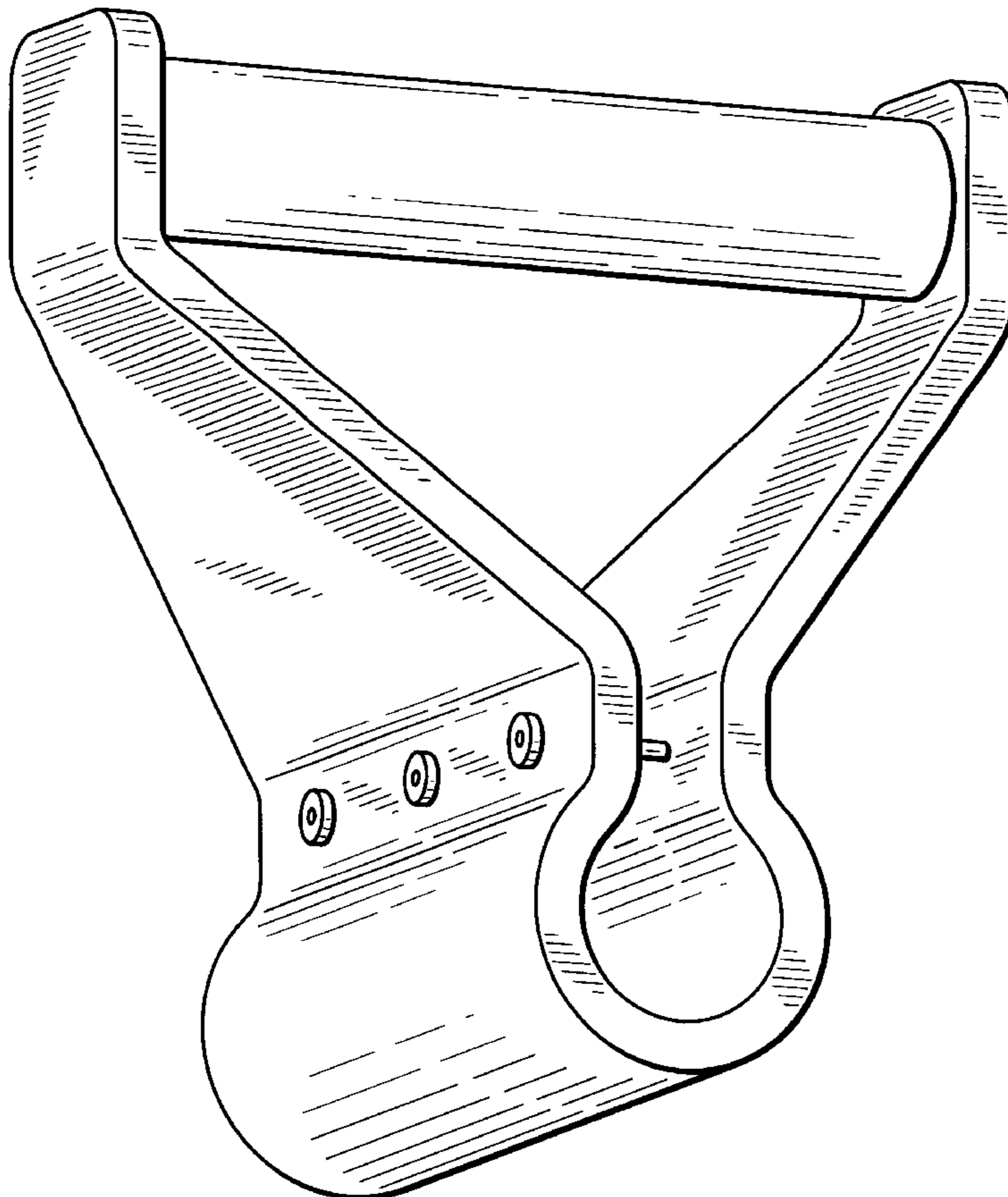
FIG. 1 is a perspective view of an auxiliary handle for fishing poles and hand tools showing our new design; FIG. 2 is a front elevation view thereof. FIG. 3 is bottom plan view thereof. FIG. 4 is a top plan view thereof. FIG. 5 is a rear elevation view thereof. FIG. 6 is a right side elevation view thereof. FIG. 7 is a left side elevation view thereof; and, FIG. 8 is a view of the handle shown in use on a fishing pole. The broken line environment being for illustrative purposes only and forming no part of the claimed design.

(56) **References Cited**

U.S. PATENT DOCUMENTS

D. 189,486	*	12/1960	Walsh et al.	294/57	X
D. 208,997	*	10/1967	Anderson et al.	294/57	X
4,041,635	*	8/1977	Savage	43/25	
4,045,067	*	8/1977	Wieder et al.	294/15	

1 Claim, 5 Drawing Sheets



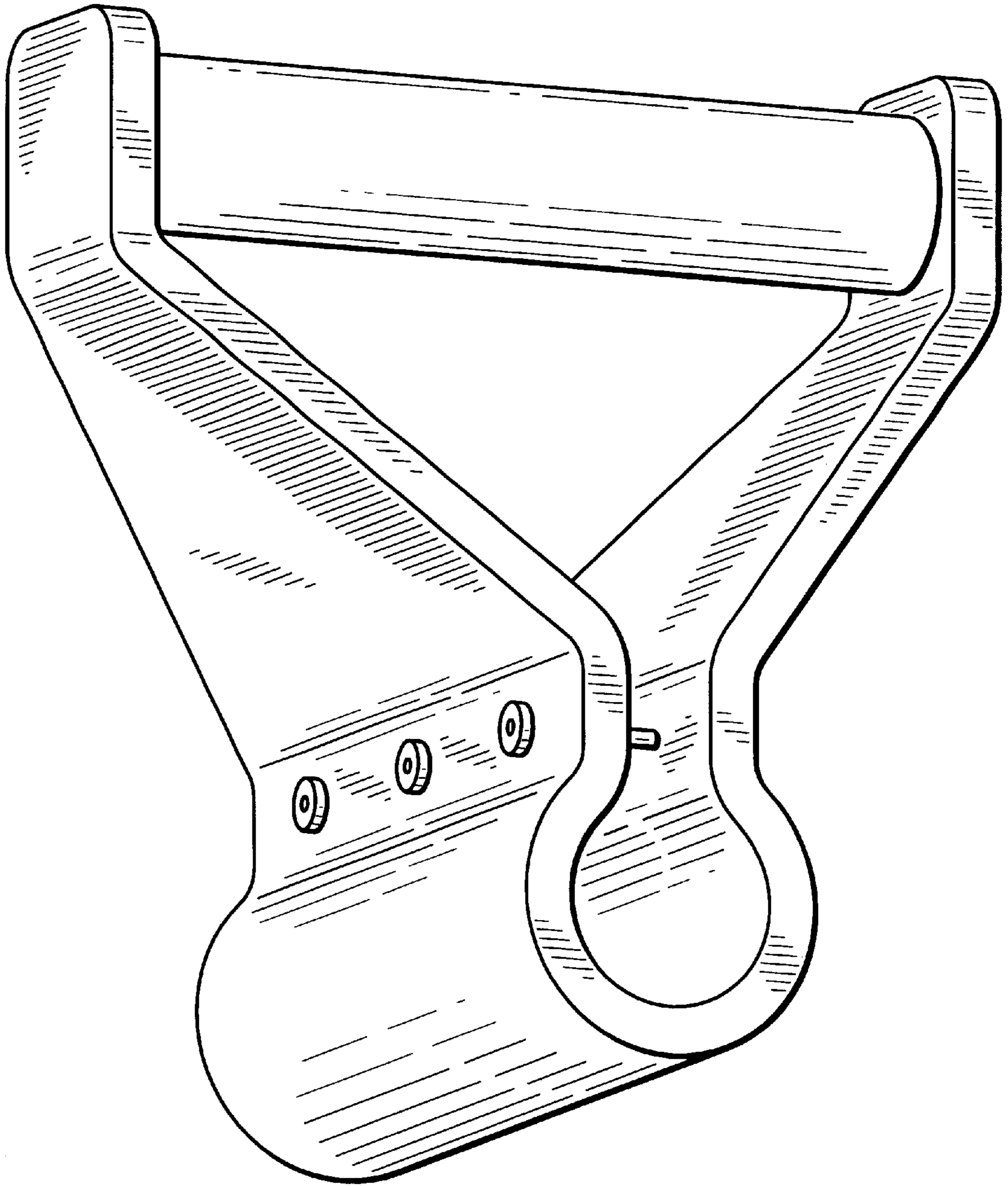


FIG. 1

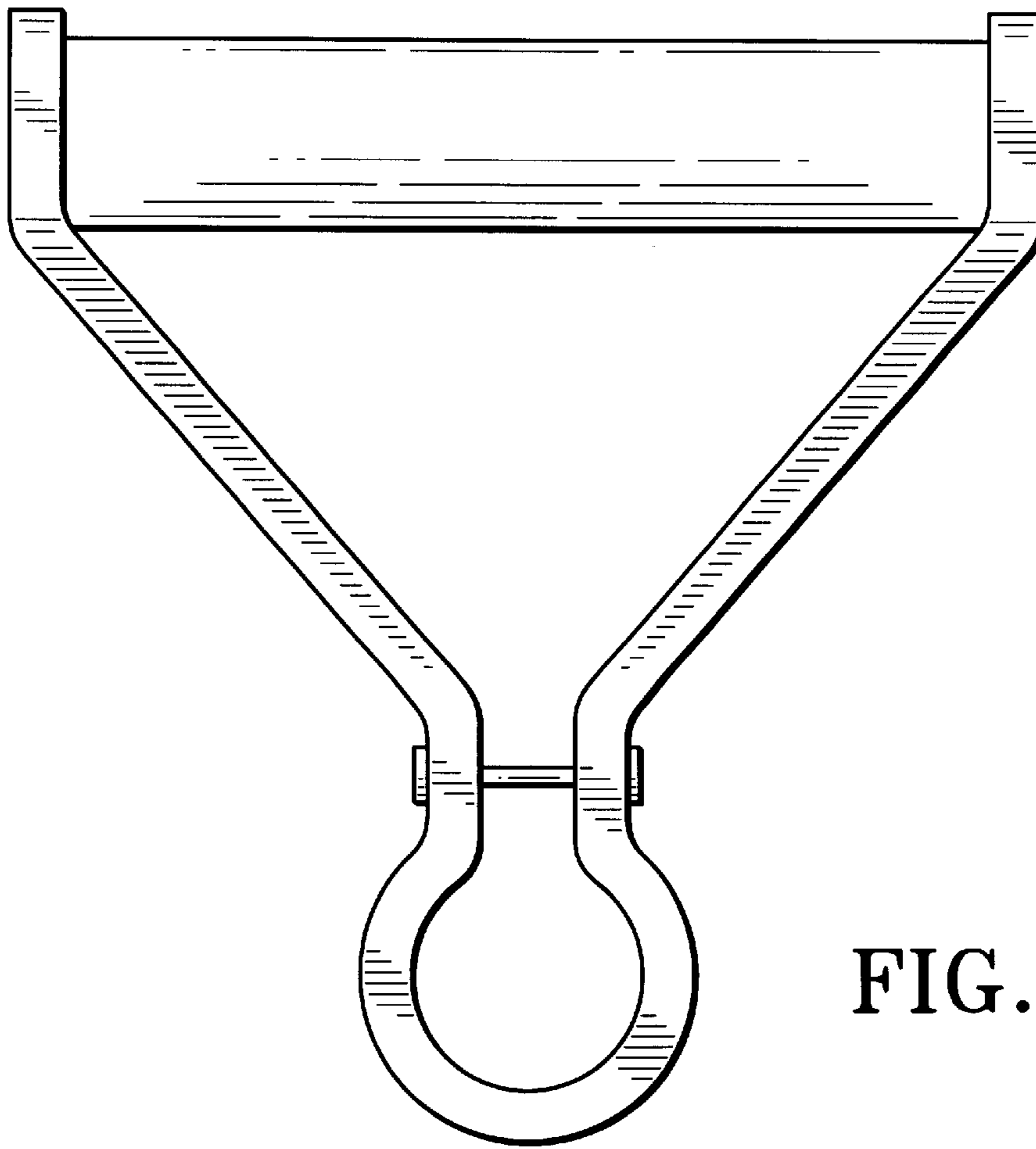


FIG. 2

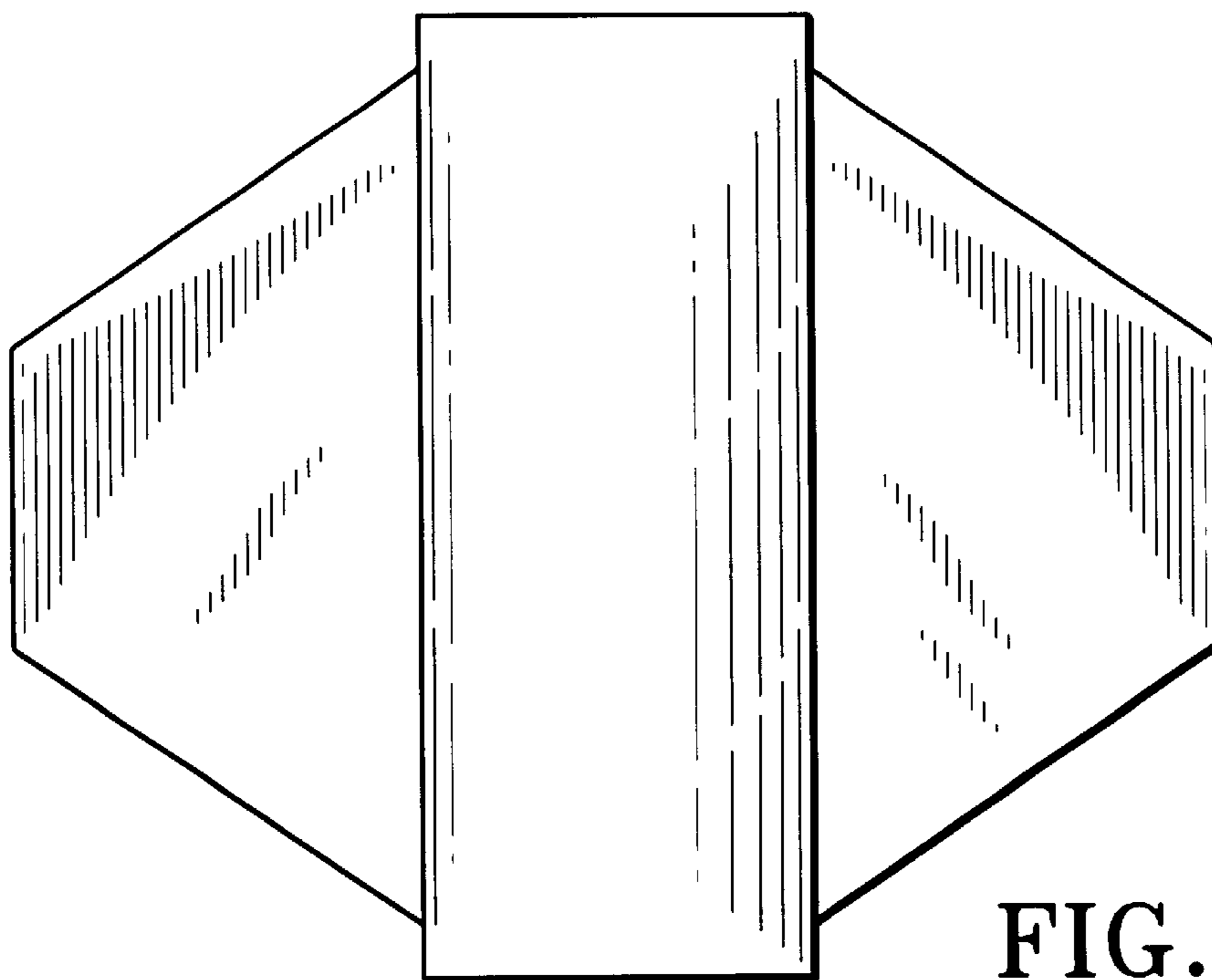


FIG. 3

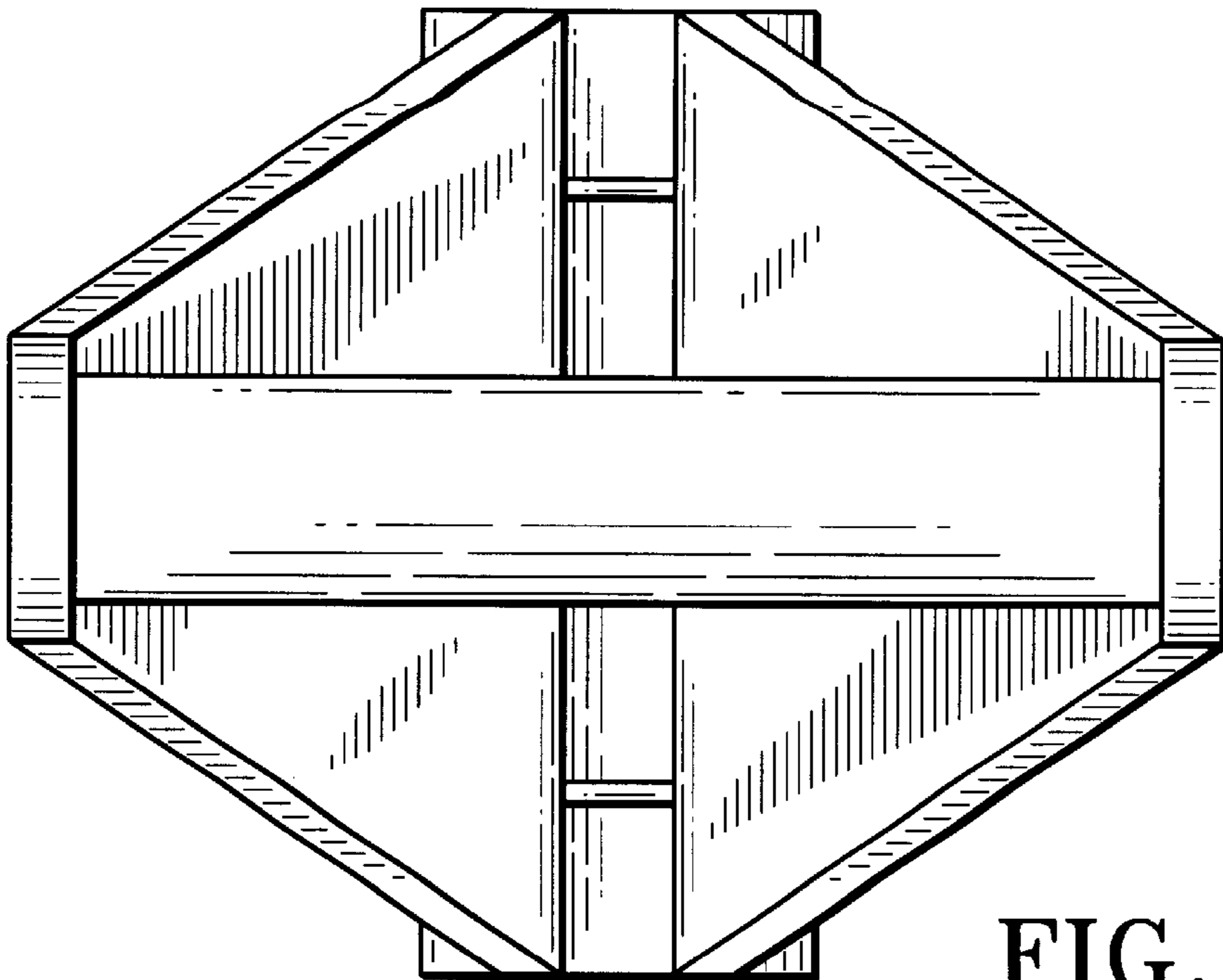


FIG. 4

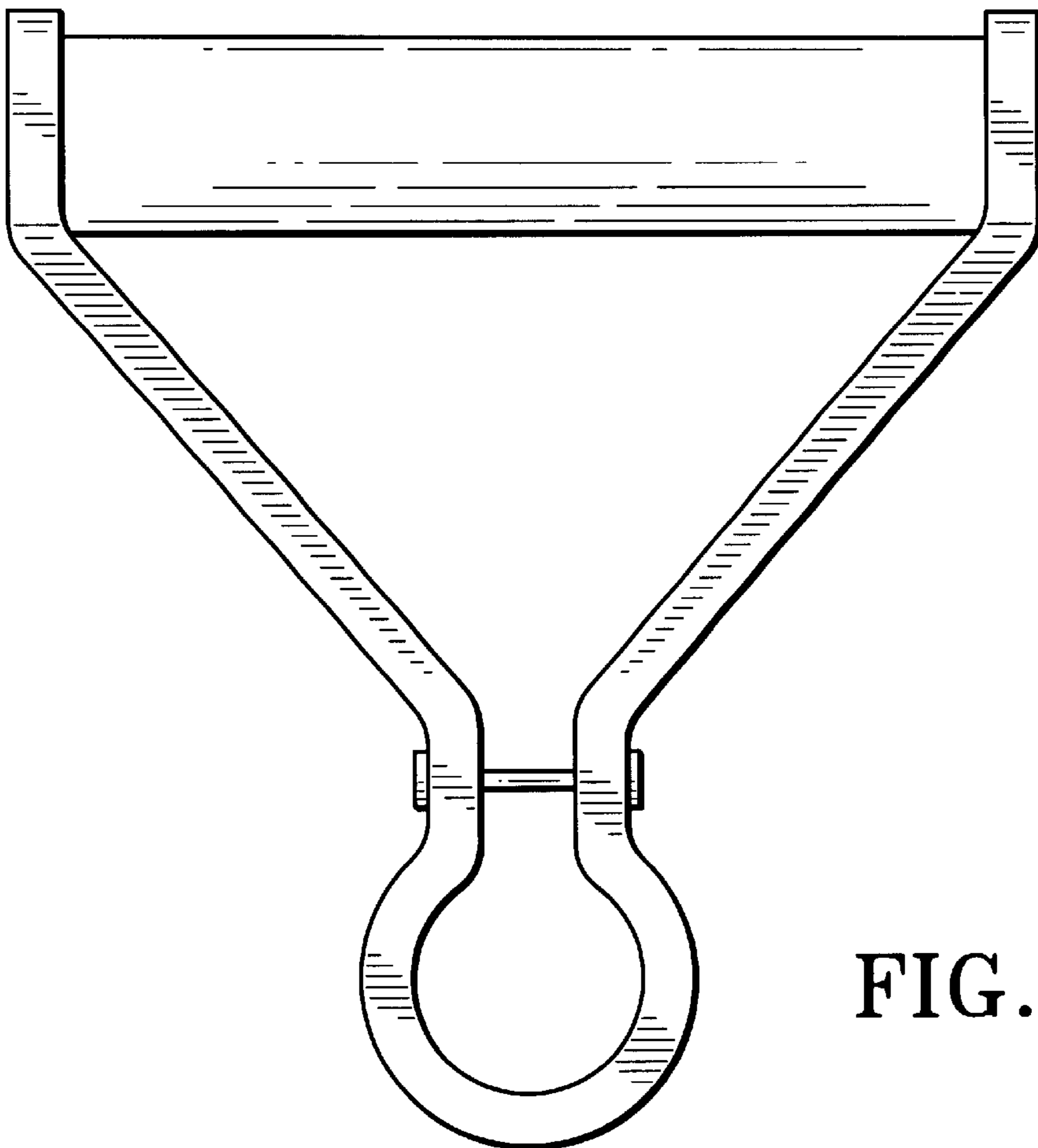


FIG. 5

FIG. 6

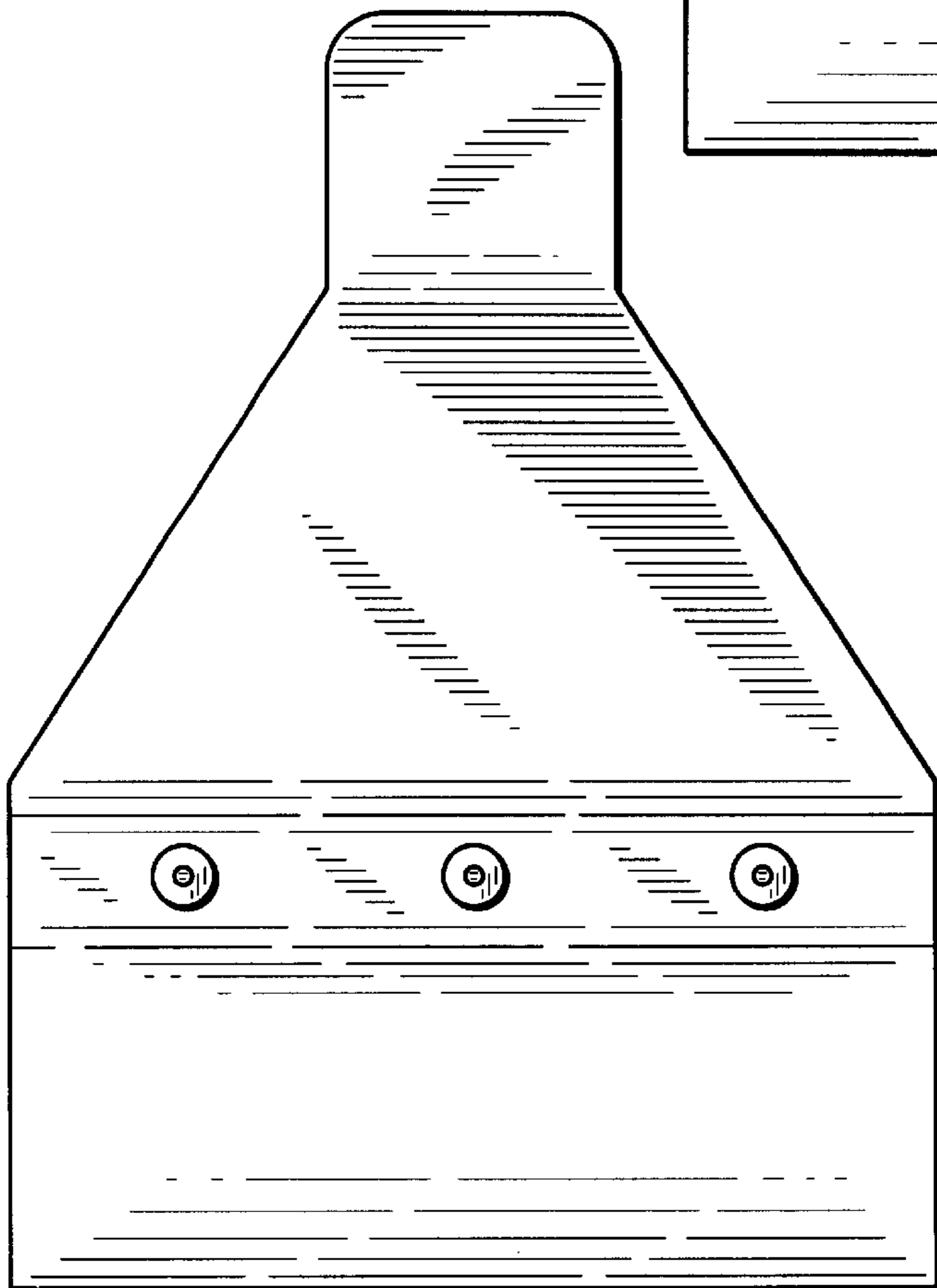
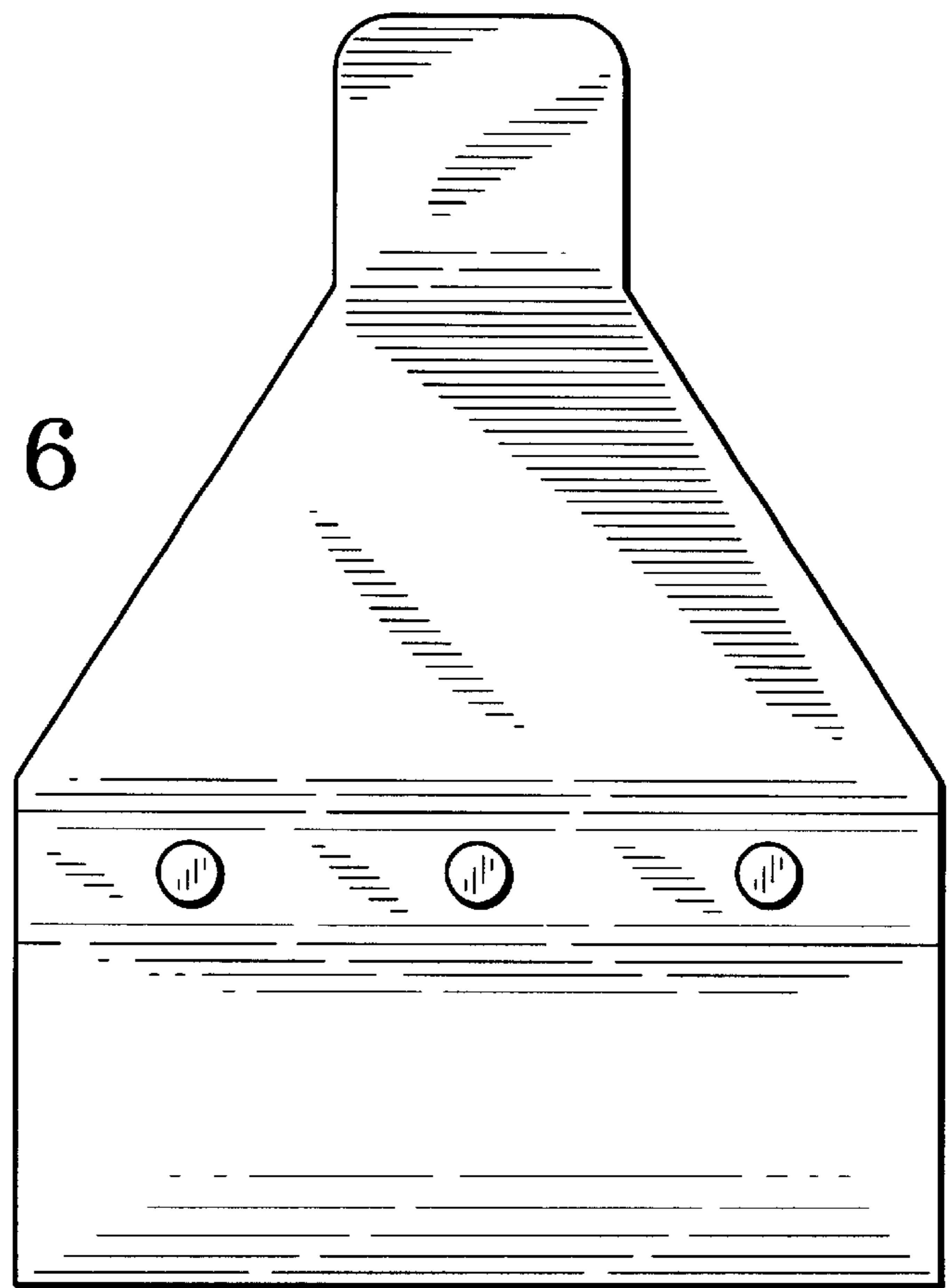


FIG. 7

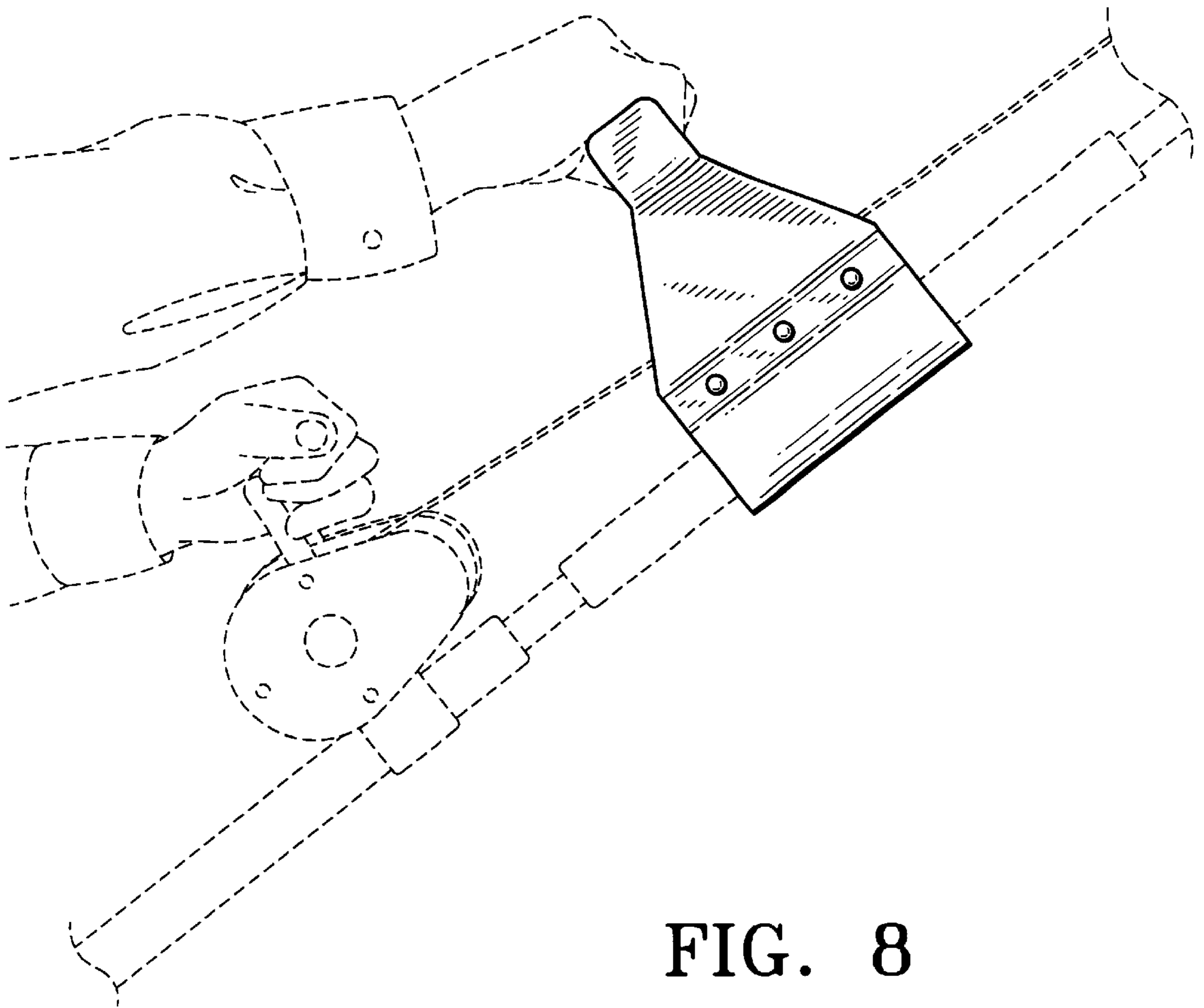


FIG. 8