



US00D447533B1

(12) **United States Design Patent**
Cox

(10) **Patent No.: US D447,533 S**

(45) **Date of Patent: ** Sep. 4, 2001**

(54) **SCENT DISPENSER**

6,050,016 4/2000 Cox 43/1
6,158,668 * 12/2000 Burgeson 239/47

(76) Inventor: **Larry R. Cox**, 5540 Sullivantown Rd.,
Walkertown, NC (US) 27051

OTHER PUBLICATIONS

(**) Term: **14 Years**

Drawing from pending application No. 09/190,972 of Larry R. Cox (issue fee paid May 17, 2000) patent No. 6,085,989 issue date Jul. 11, 2000.

(21) Appl. No.: **29/125,687**

* cited by examiner

(22) Filed: **Jun. 28, 2000**

Primary Examiner—Catherine R. Oliver

(51) **LOC (7) Cl.** **22-05**

(52) **U.S. Cl.** **D22/125**

(58) **Field of Search** D22/120, 119;
43/1, 2; 239/47, 44, 49, 34, 59; 119/771;
D23/368, 367, 366; D9/439, 445, 448,
414, 422, 428

(57) **CLAIM**

The ornamental design for a scent dispenser, as shown and described.

(56) **References Cited**

DESCRIPTION

U.S. PATENT DOCUMENTS

D. 257,819	*	1/1981	Morin	D7/590
D. 324,730	*	3/1992	Salter et al.	D23/368
D. 328,248	*	7/1992	Ruff	D9/428
D. 401,660	*	11/1998	Timm et al.	D22/125
D. 428,772	*	8/2000	Kibbe	D7/596
2,556,608		6/1951	Will	239/47
2,738,225		3/1956	Meek	239/55
3,046,192		7/1962	Bilyeu	239/9
4,523,717		6/1985	Schwab	239/56
4,609,245		9/1986	Sakschek	239/36
4,667,430		5/1987	Ziese, Jr.	43/1
4,771,563		9/1988	Easley	43/1
4,773,177		9/1988	Gray, II et al.	43/1
4,937,431	*	6/1990	Jameson et al.	43/1 X
5,094,025		3/1992	Daniels	43/1
5,148,949		9/1992	Luca	222/175
5,299,376		4/1994	Roberts	43/2
5,369,903		12/1994	Cox	43/1
5,678,763		10/1997	Scheuer et al.	239/54
5,746,019	*	5/1998	Fisher	43/1

FIG. 1 is a side elevational view of the scent dispenser showing my new design, all sides being substantially identical;

FIG. 2 is a top side perspective view of the scent dispenser as shown in FIG. 1;

FIG. 3 is a top plan view of the scent dispenser as shown in FIG. 1;

FIG. 4 is a bottom plan view of the scent dispenser as seen in FIG. 1, the internal components not shown and not forming a part of the design;

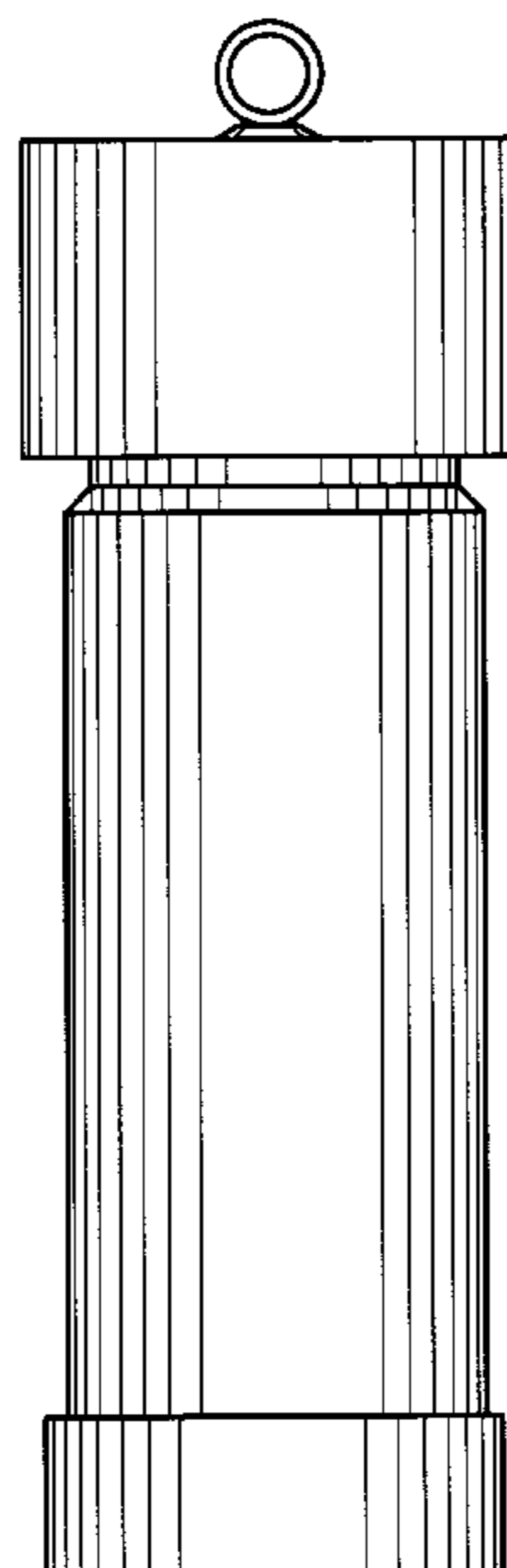
FIG. 5 is a top, side perspective view of a second embodiment of a scent dispenser embodying my design;

FIG. 6 is a side elevational view thereof, all sides being substantially identical;

FIG. 7 is a top plan view of the scent dispenser as shown in FIG. 6; and,

FIG. 8 is a bottom plan view of the scent dispenser as seen in FIG. 6, the internal components not shown and not forming a part of the design.

1 Claim, 2 Drawing Sheets



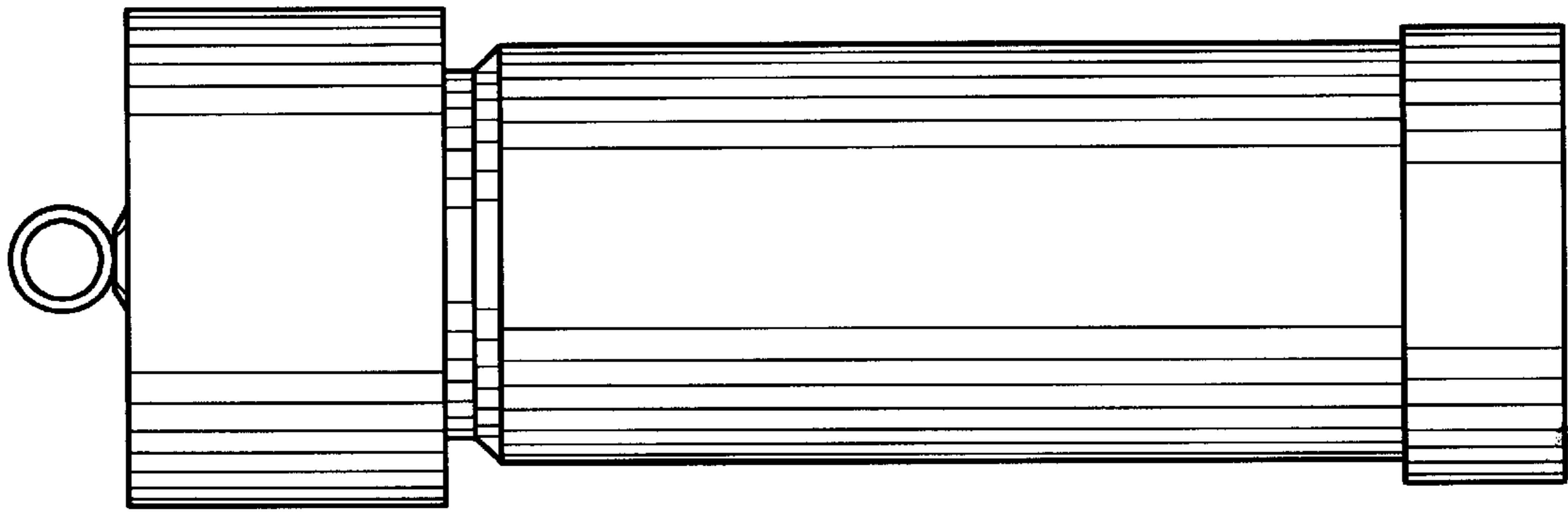


FIG. 1

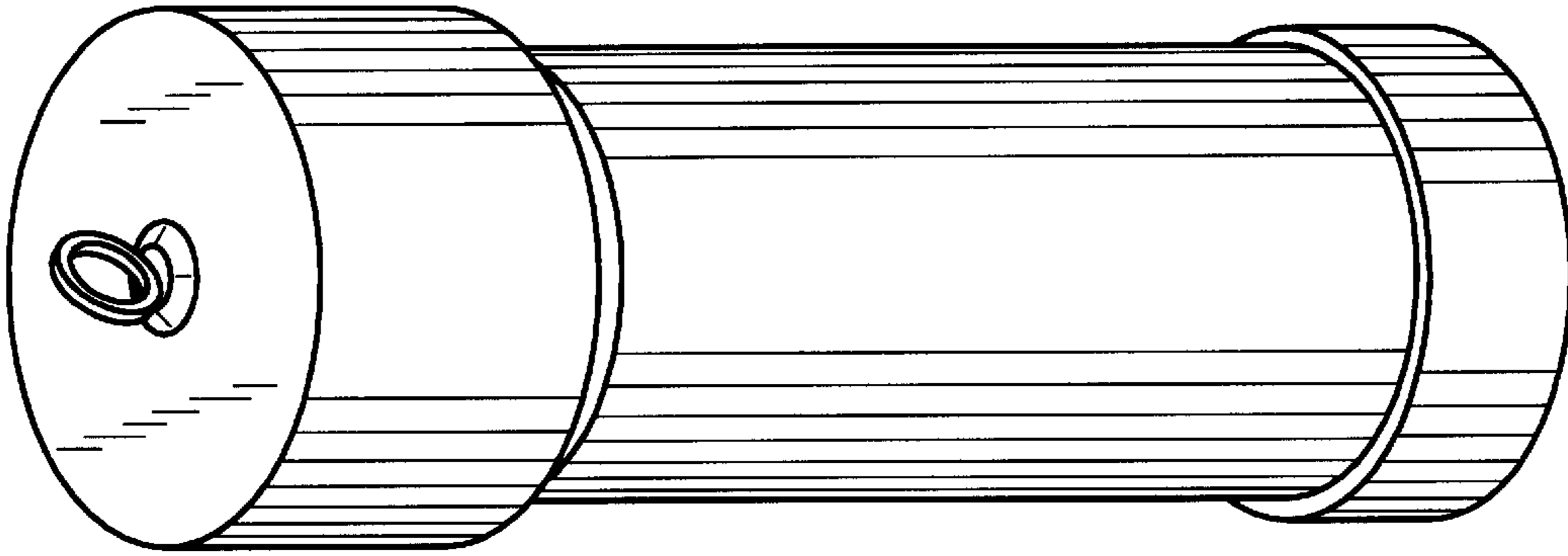


FIG. 2

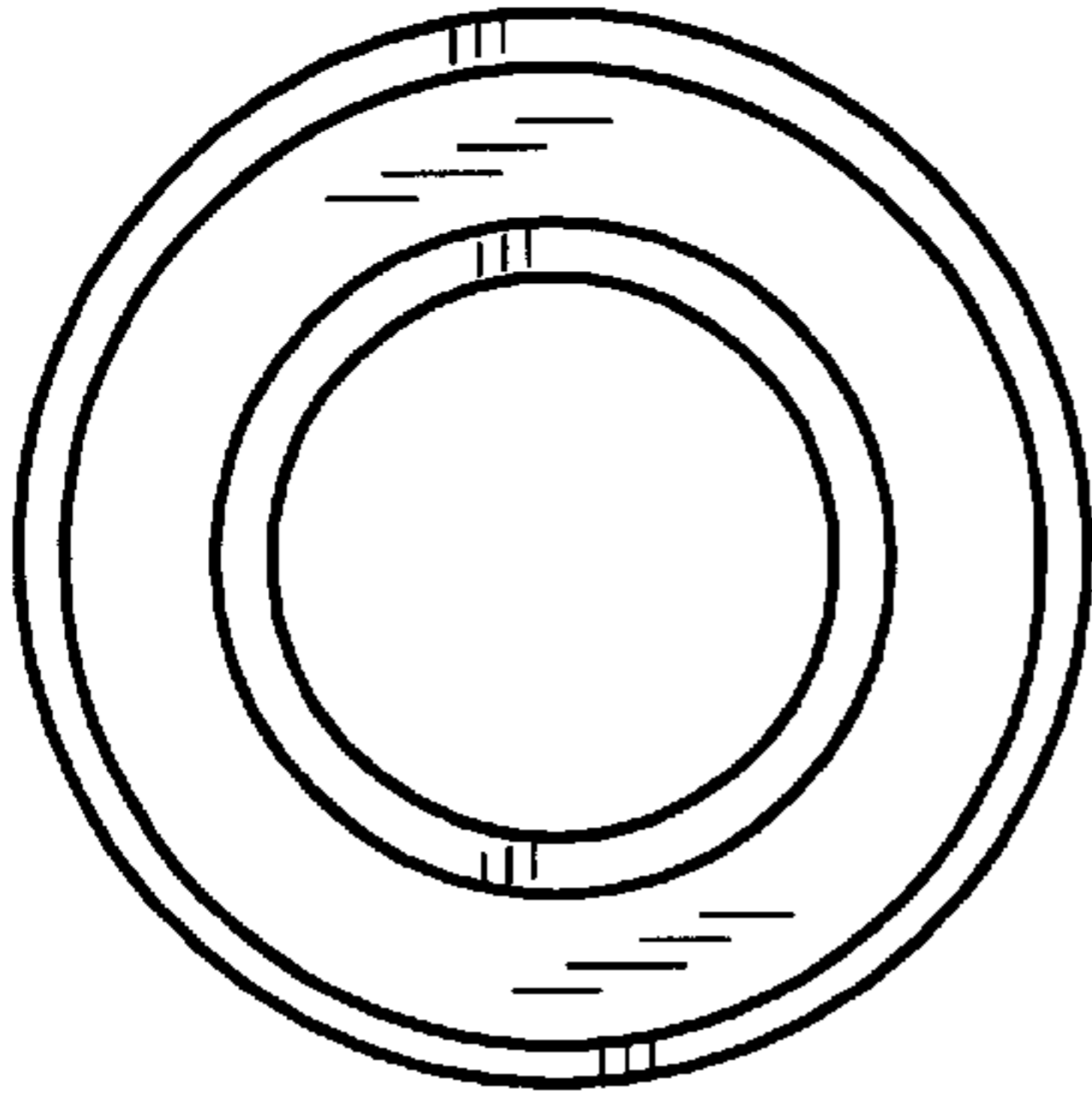


FIG. 4

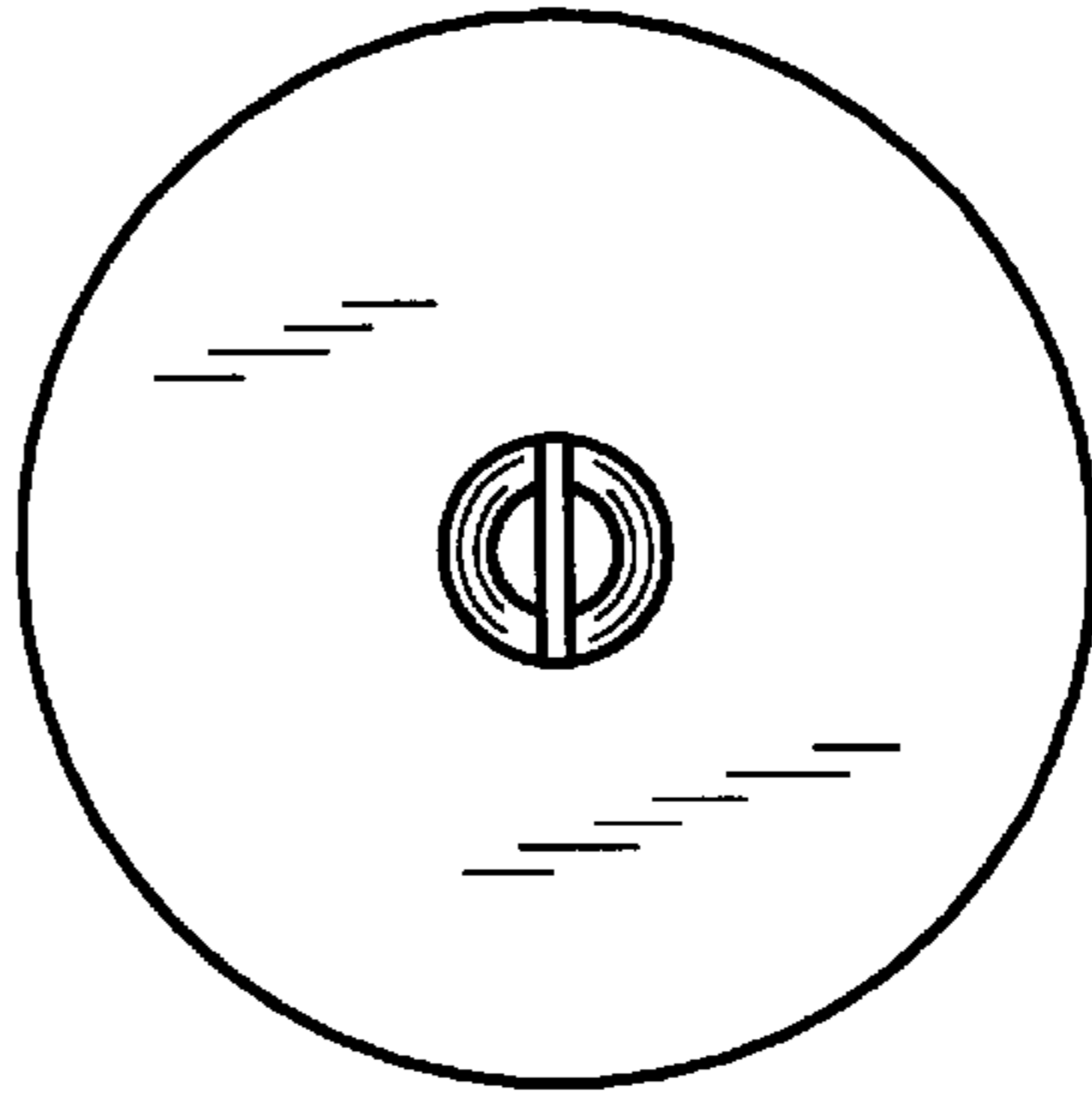


FIG. 3

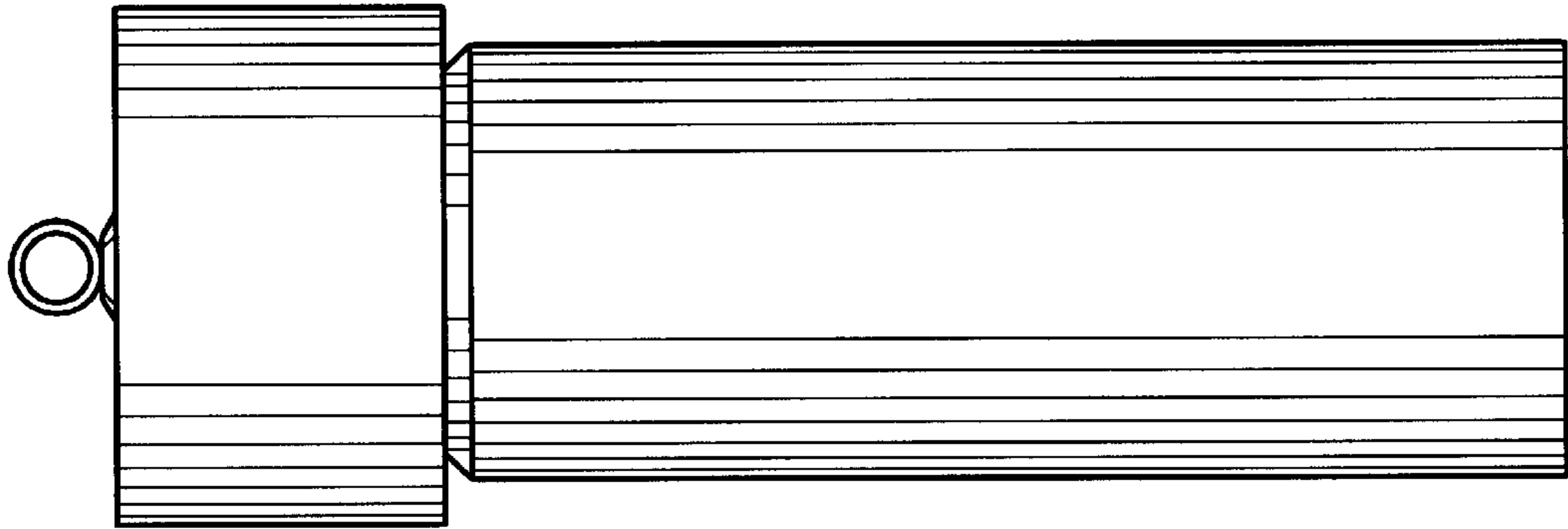


FIG. 5

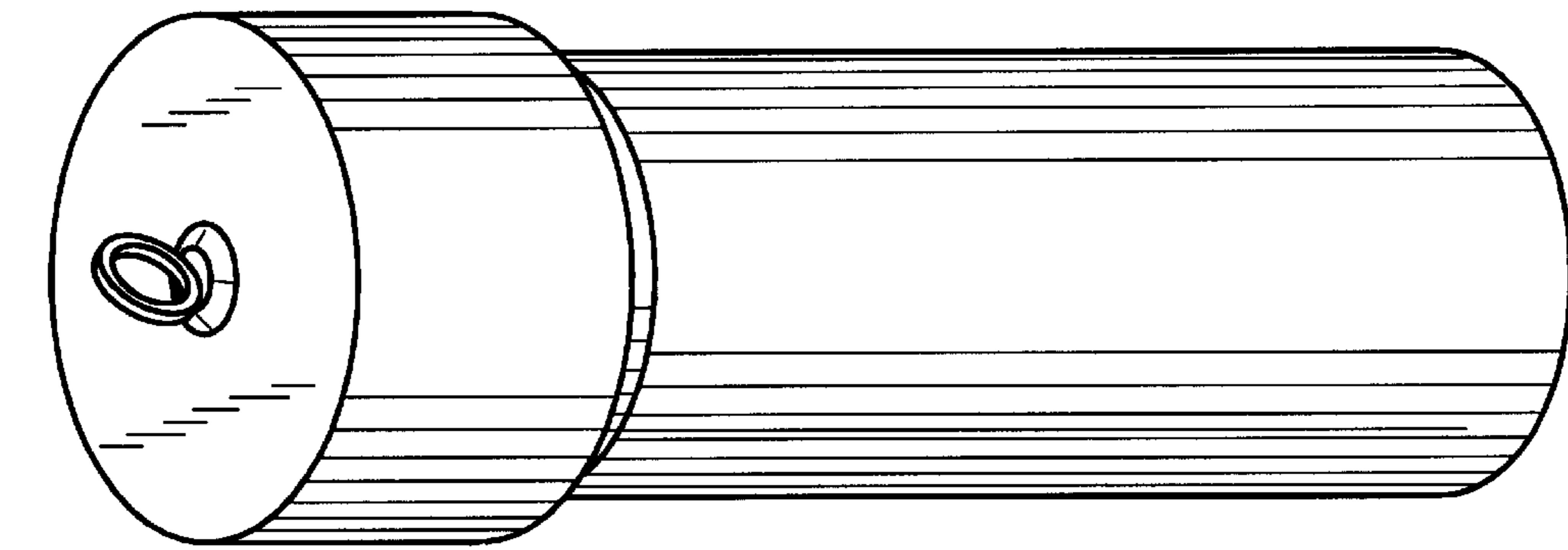


FIG. 6

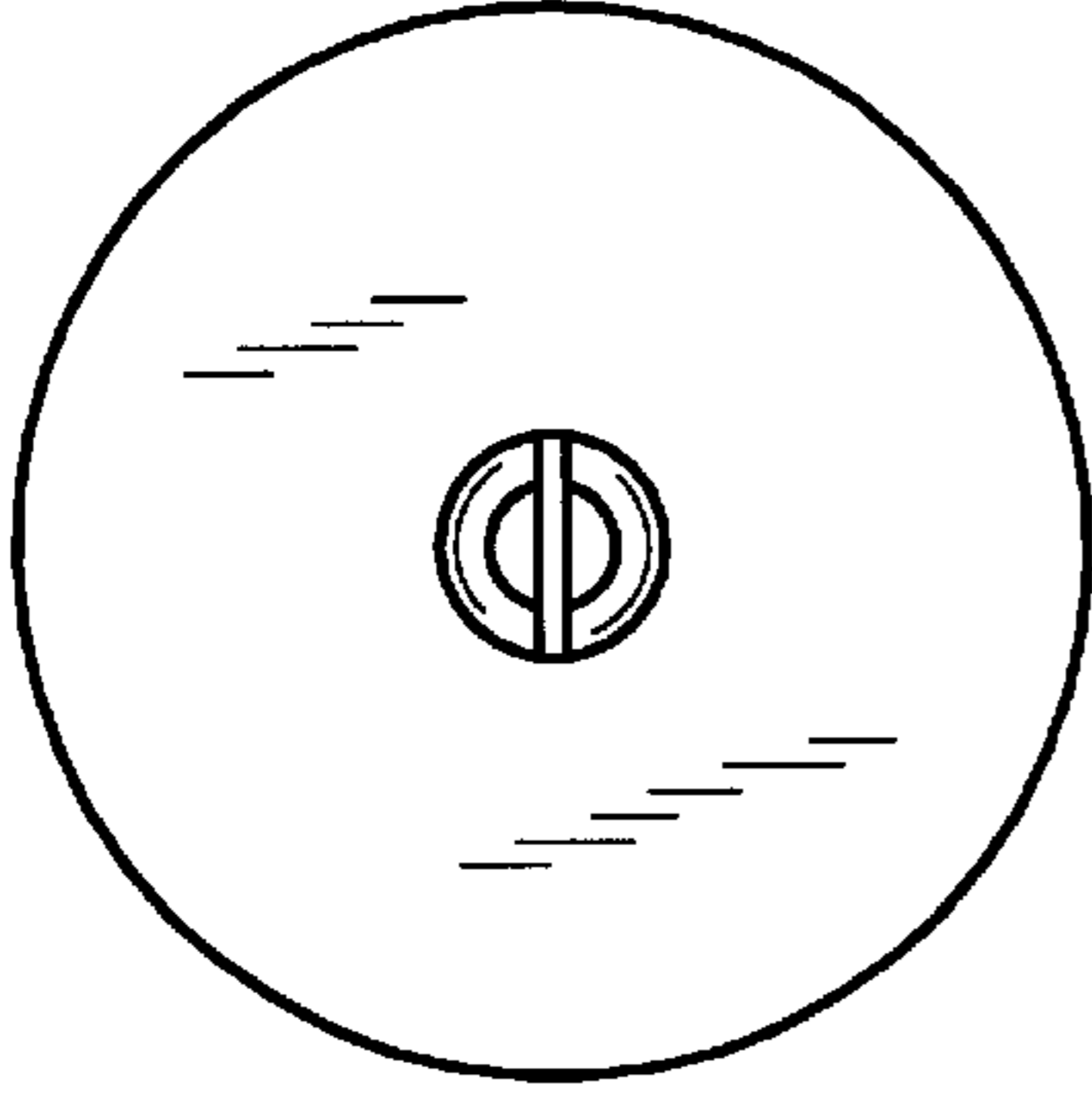


FIG. 7

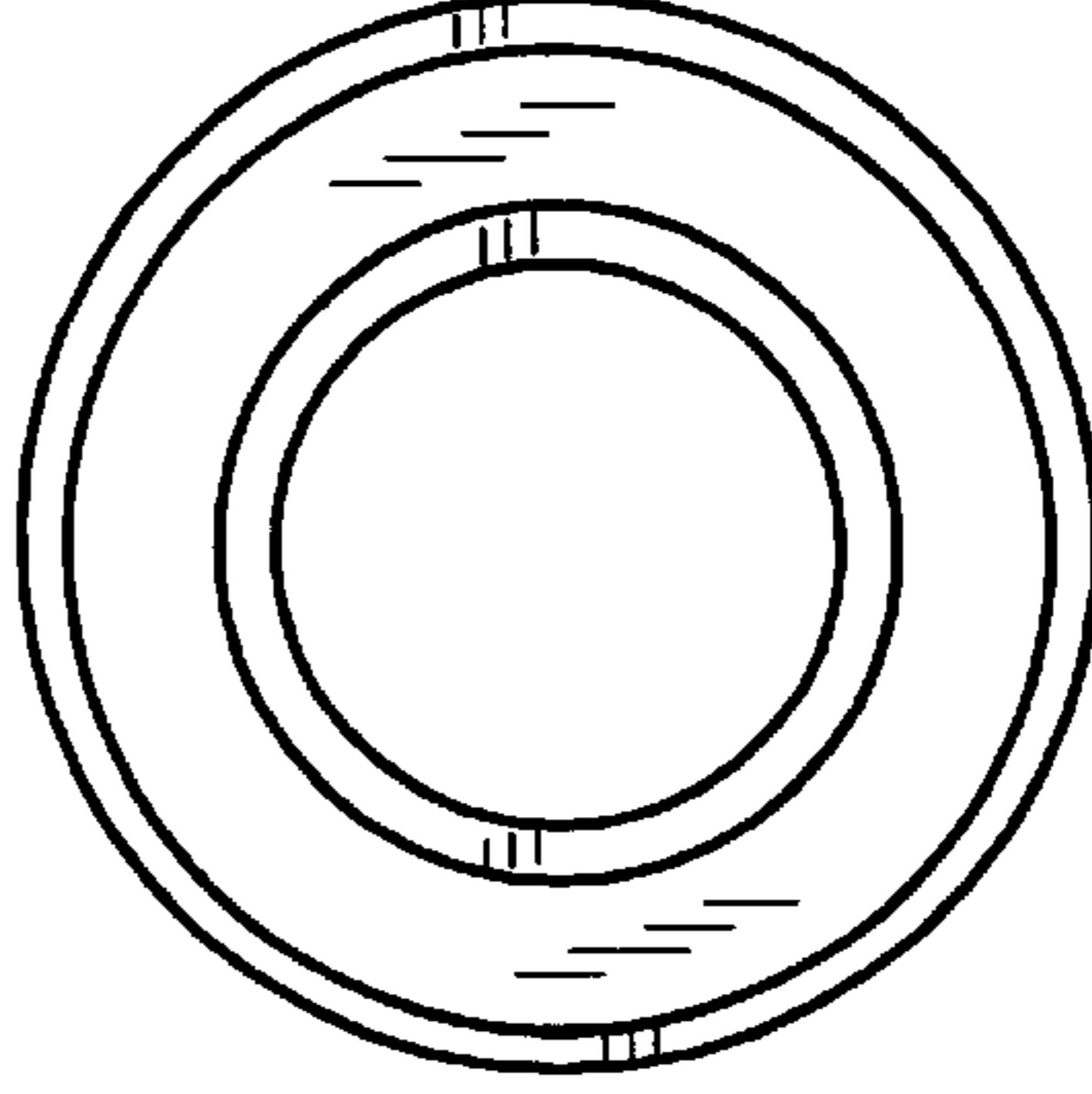


FIG. 8