



US00D447532B1

(12) **United States Design Patent**  
**Keng**

(10) **Patent No.:** **US D447,532 S**

(45) **Date of Patent:** **\*\* Sep. 4, 2001**

(54) **REMOVABLE MOUNT FOR FIREARM SIGHT**

5,086,566 \* 2/1992 Klumpp ..... 42/101 X  
5,680,725 \* 10/1997 Bell ..... 42/101

(76) **Inventor:** **Da Keng**, 1553 Shamrock Trail, SE.,  
Smyrna, GA (US) 30080-5853

\* cited by examiner

(\*\*) **Term:** **14 Years**

*Primary Examiner*—Louis S. Zarfes

*Assistant Examiner*—Monica A. Weingart

(21) **Appl. No.:** **29/099,934**

(74) *Attorney, Agent, or Firm*—Adelberg, Rudow, Dorf and  
Hendler LLC

(22) **Filed:** **Feb. 1, 1999**

(57) **CLAIM**

(51) **LOC (7) Cl.** ..... **22-01**

The ornamental design for removable mount for firearm sight, as shown and described.

(52) **U.S. Cl.** ..... **D22/110**

(58) **Field of Search** ..... D22/100, 108,  
D22/109, 110, 199; 42/100-103; 33/245-250

**DESCRIPTION**

(56) **References Cited**

FIG. 1 is a front view, in elevation.

FIG. 2 is a top view, in elevation.

FIG. 3 is a left side view, in elevation.

FIG. 4 is a rear view, in elevation.

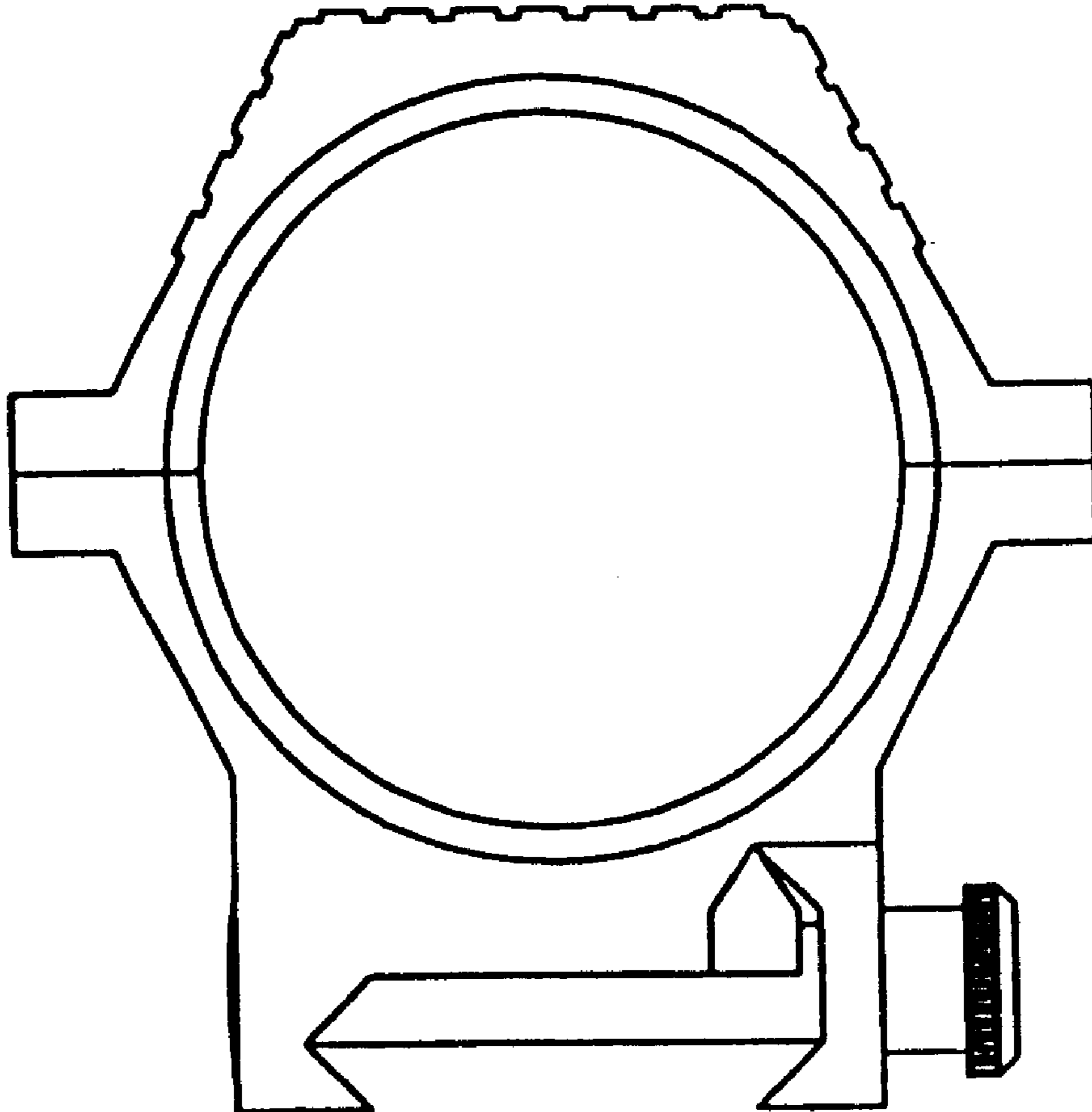
FIG. 5 is a bottom view, in elevation; and,

FIG. 6 is a right side view, in elevation.

**U.S. PATENT DOCUMENTS**

D. 391,335 \* 2/1998 Bechtel ..... D22/108 X  
3,513,549 \* 5/1970 Smiley ..... 33/248  
3,750,318 \* 8/1973 Burris ..... 42/101  
4,703,576 \* 11/1987 Burris ..... 42/101

**1 Claim, 1 Drawing Sheet**



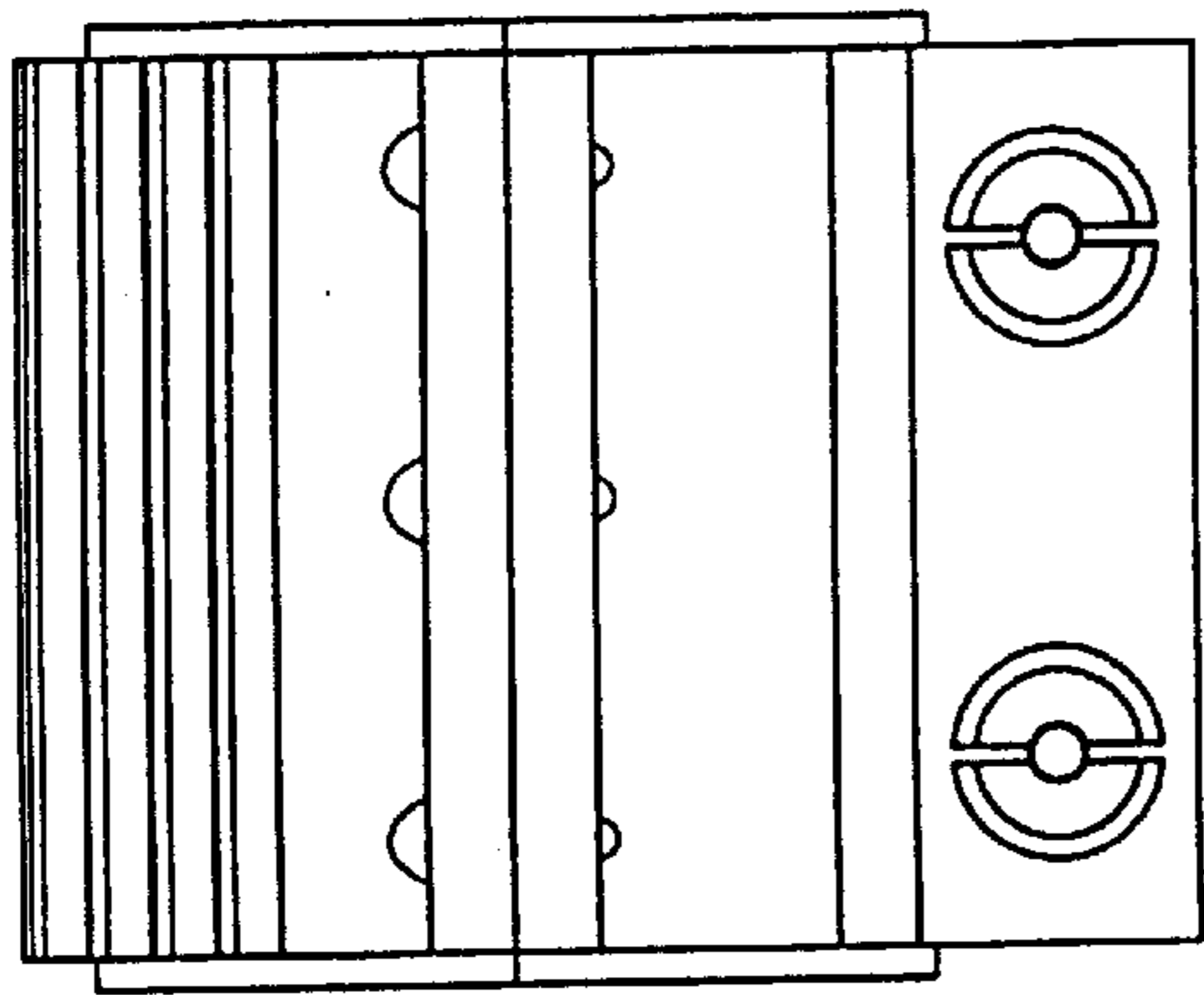


FIG. 3

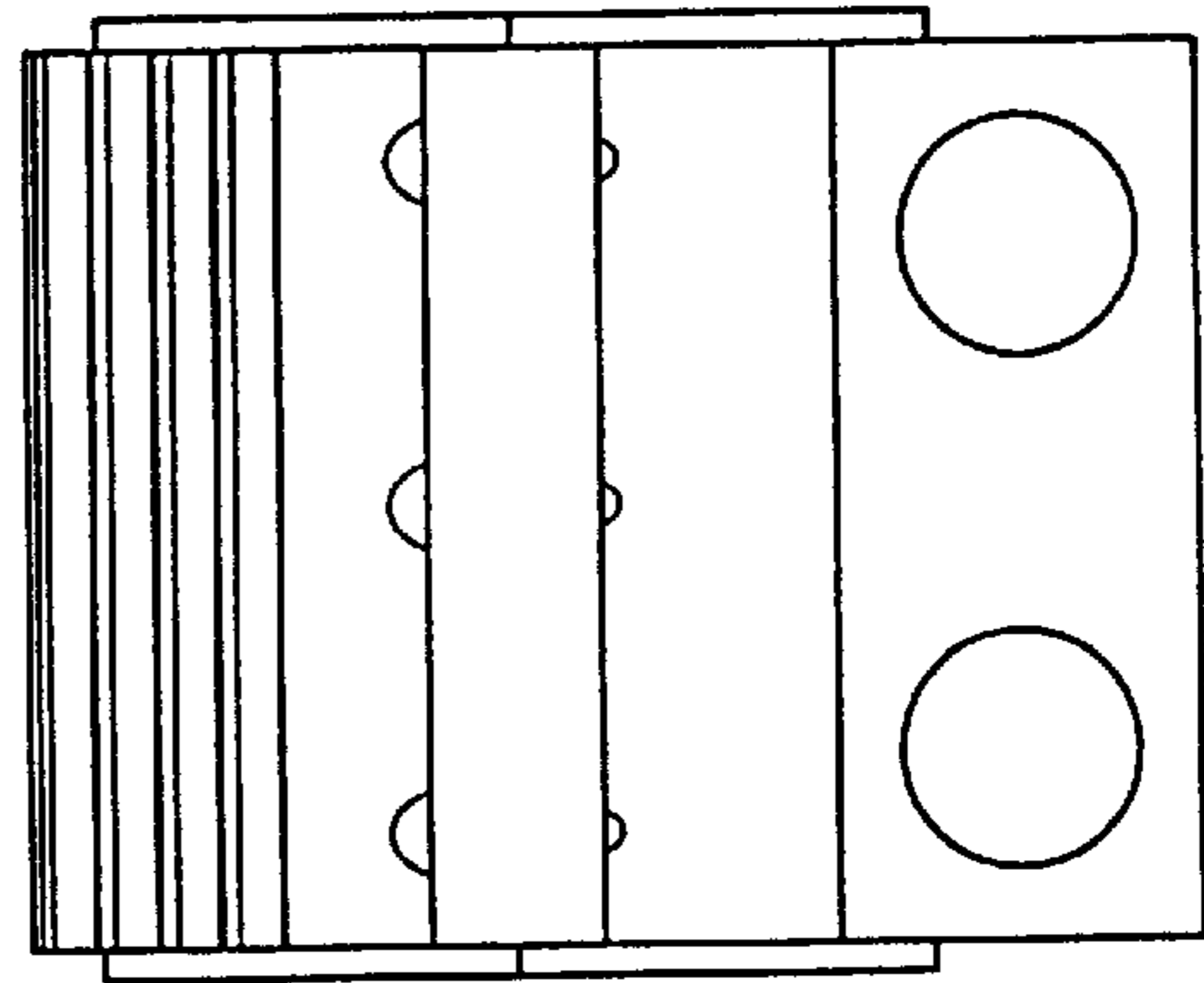


FIG. 6

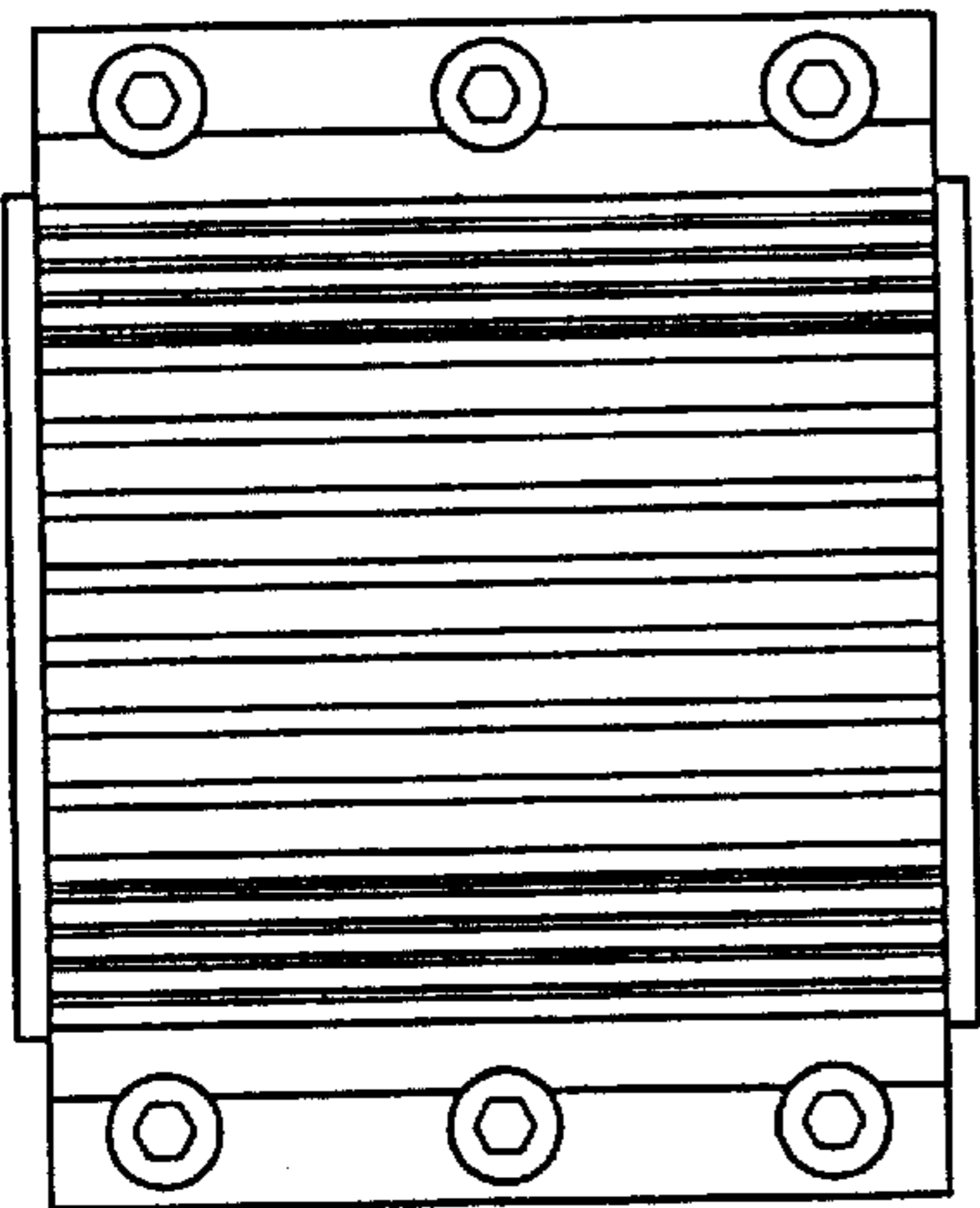


FIG. 2

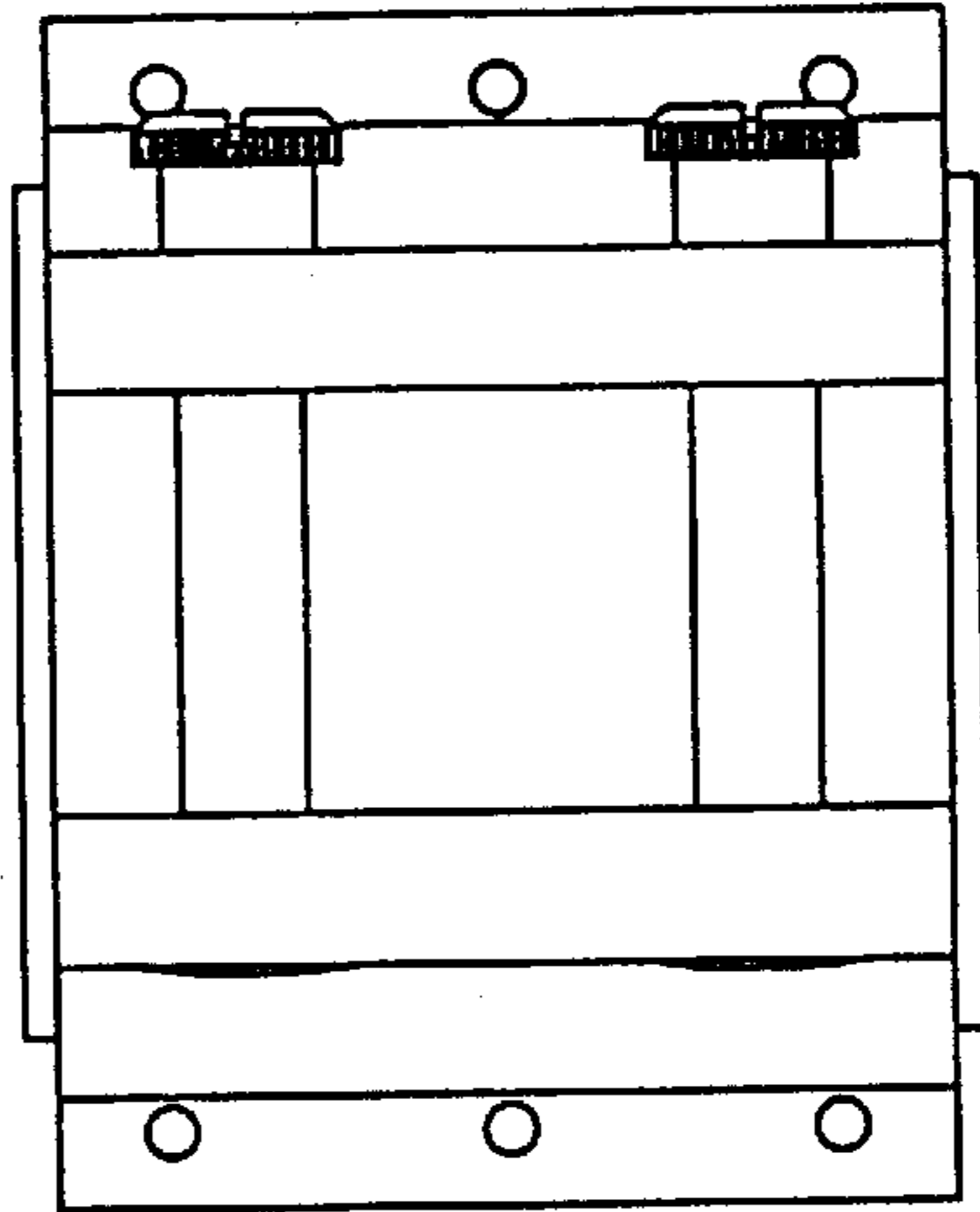


FIG. 5

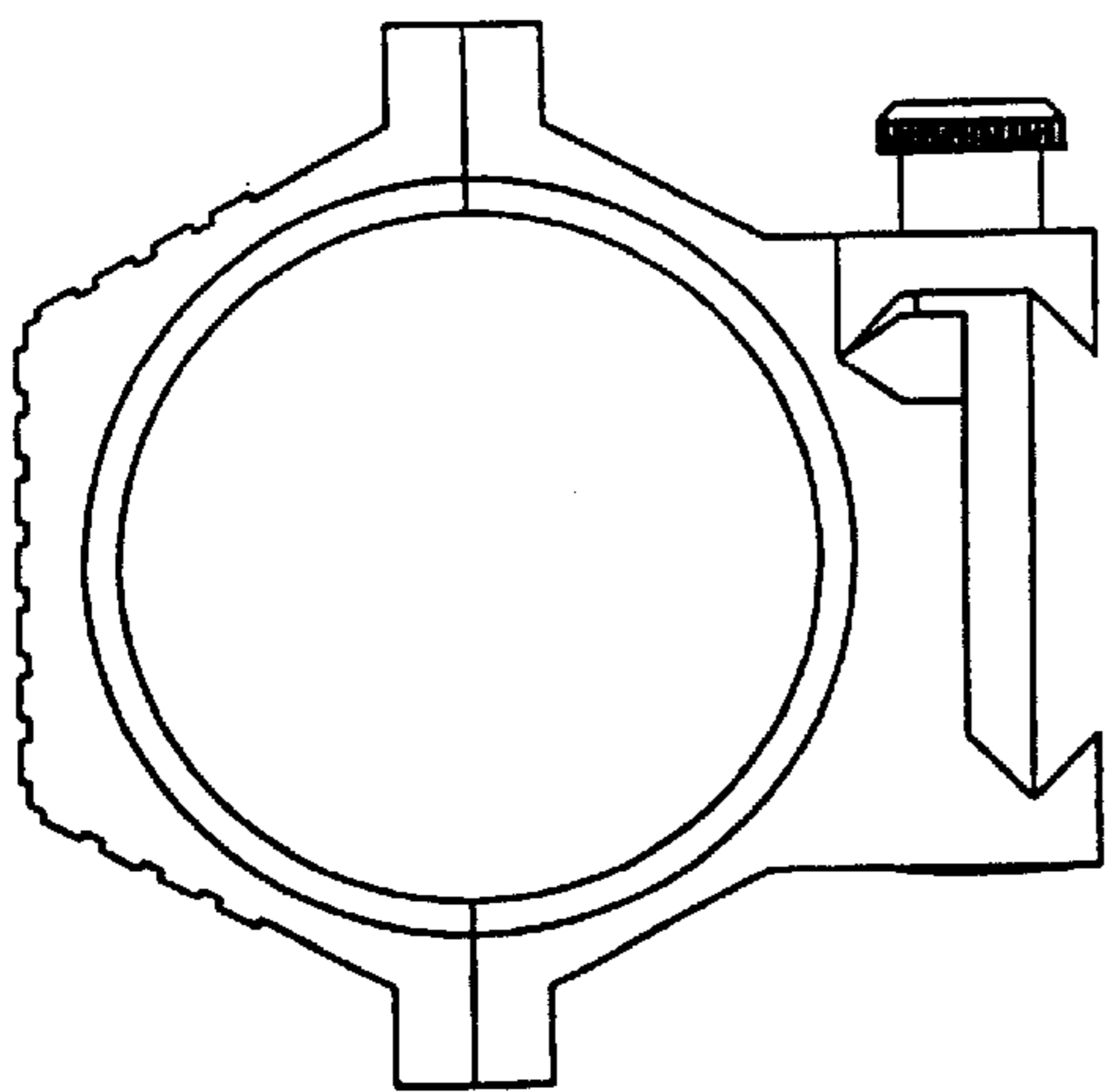


FIG. 1

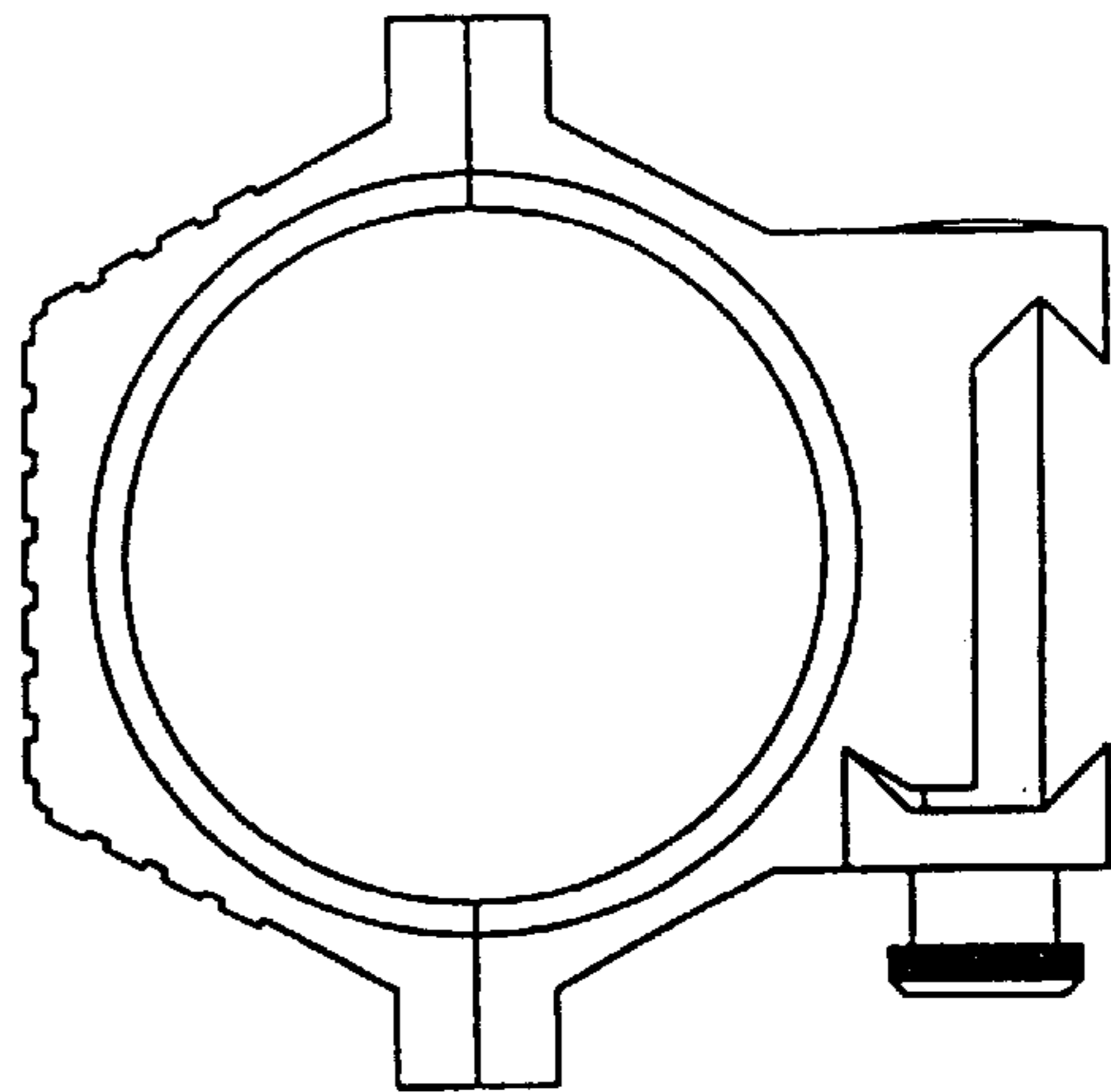


FIG. 4