



US00D447531B1

(12) **United States Design Patent**  
**Fiscus et al.**

(10) **Patent No.:** **US D447,531 S**

(45) **Date of Patent:** **\*\* Sep. 4, 2001**

(54) **GUN BARREL REST EXTENDER**

5,332,185 \* 7/1994 Walker, III ..... 42/94 X  
5,333,404 \* 8/1994 Lingyak ..... 42/94 X  
5,815,974 \* 10/1998 Keng ..... 42/94

(75) Inventors: **Jon Fiscus; Shelley Nehrt**, both of  
Barrington; **Dave Story**, Bartlett, all of  
IL (US)

\* cited by examiner

(73) Assignee: **Stack-On Products, Co.**, Wauconda, IL  
(US)

*Primary Examiner*—Louis S. Zarfes  
*Assistant Examiner*—Monica A. Weingart  
(74) *Attorney, Agent, or Firm*—Shaftal and Associates, Ltd.

(\*\*) Term: **14 Years**

(57) **CLAIM**

(21) Appl. No.: **29/135,633**

The ornamental design for the gun barrel rest extender, as shown and described.

(22) Filed: **Jan. 16, 2001**

**DESCRIPTION**

(51) **LOC (7) Cl.** ..... **22-01**

(52) **U.S. Cl.** ..... **D22/108**

(58) **Field of Search** ..... D22/100, 108,  
D22/199; 42/72, 94; 89/37.04, 40.06; D6/567;  
211/64; 224/913

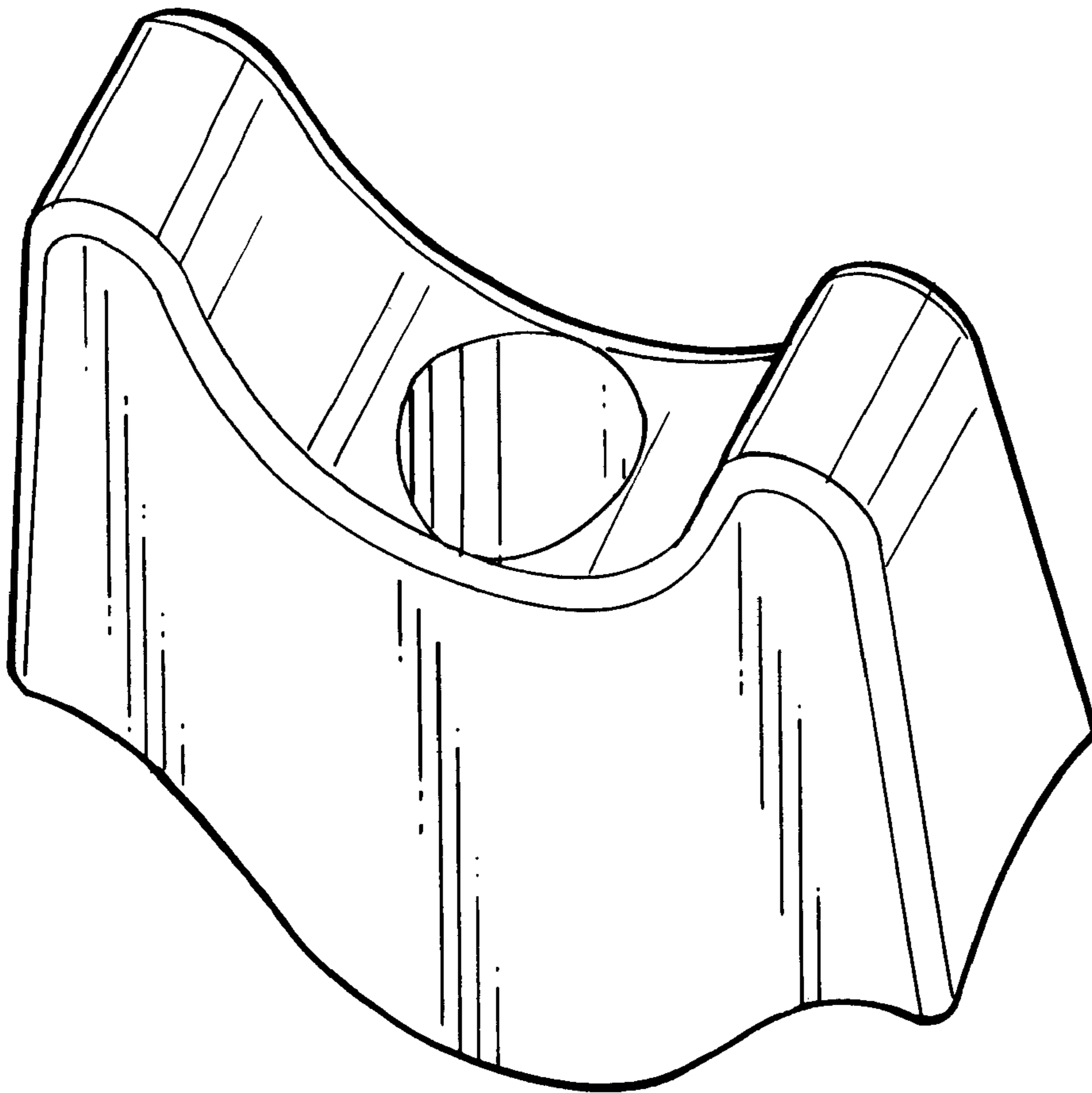
FIG. 1 is a front perspective view of a gun barrel rest extender showing the new ornamental design thereof;  
FIG. 2 is a rear perspective view thereof;  
FIG. 3 is a front plan view thereof;  
FIG. 4 is a rear plan view thereof;  
FIG. 5 is a right side elevational plan view thereof, the left side elevational plan view being identical thereto; and,  
FIG. 6 is a top elevational plan view thereof, the bottom elevational plan view being identical thereto.

(56) **References Cited**

**U.S. PATENT DOCUMENTS**

1,042,357 \* 10/1912 Livtschak ..... 89/37.04  
2,029,839 \* 2/1936 Sedgley et al. .... 89/37.04  
5,074,188 \* 12/1991 Harris ..... 42/94 X

**1 Claim, 4 Drawing Sheets**



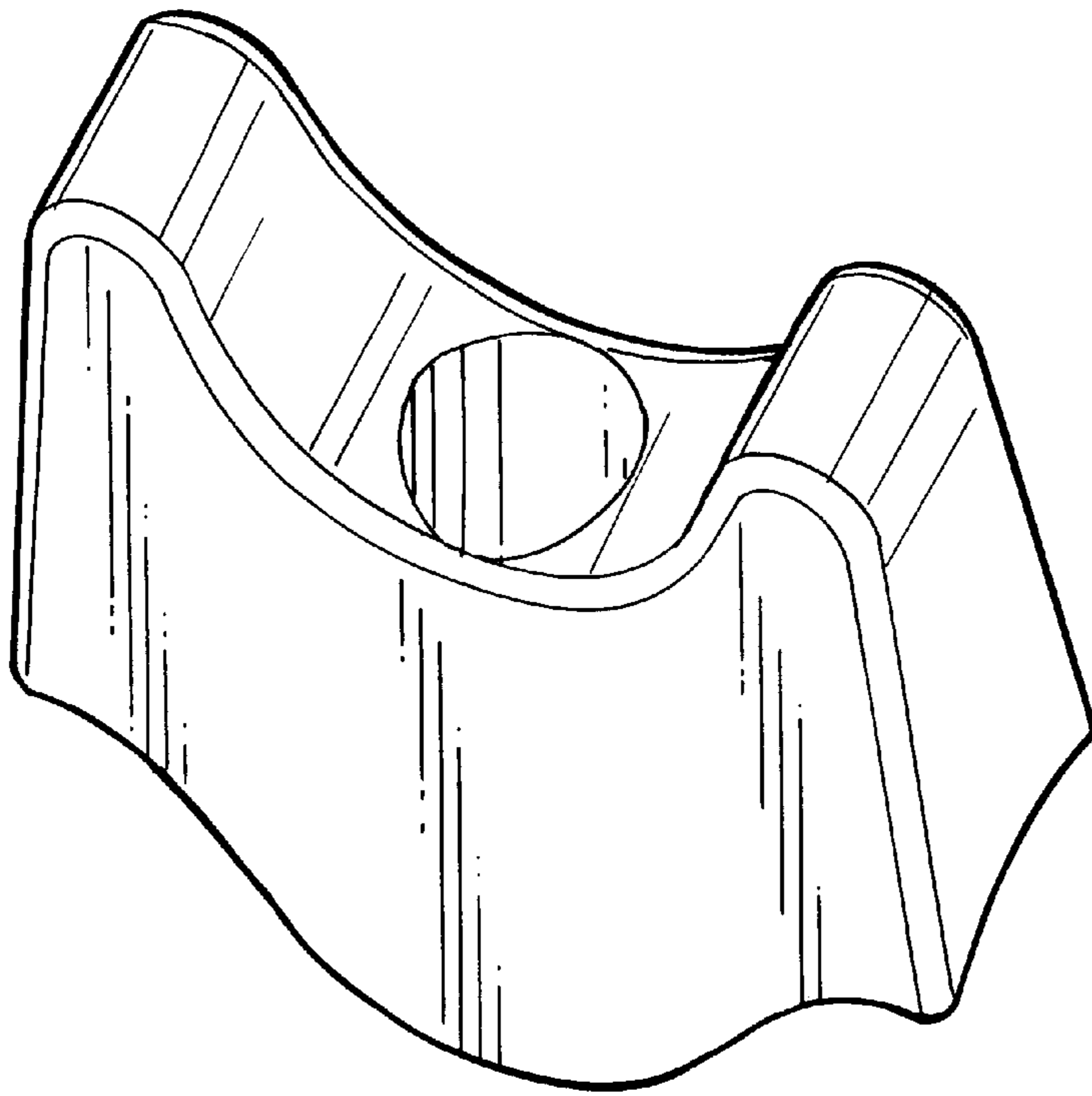


FIG. 1

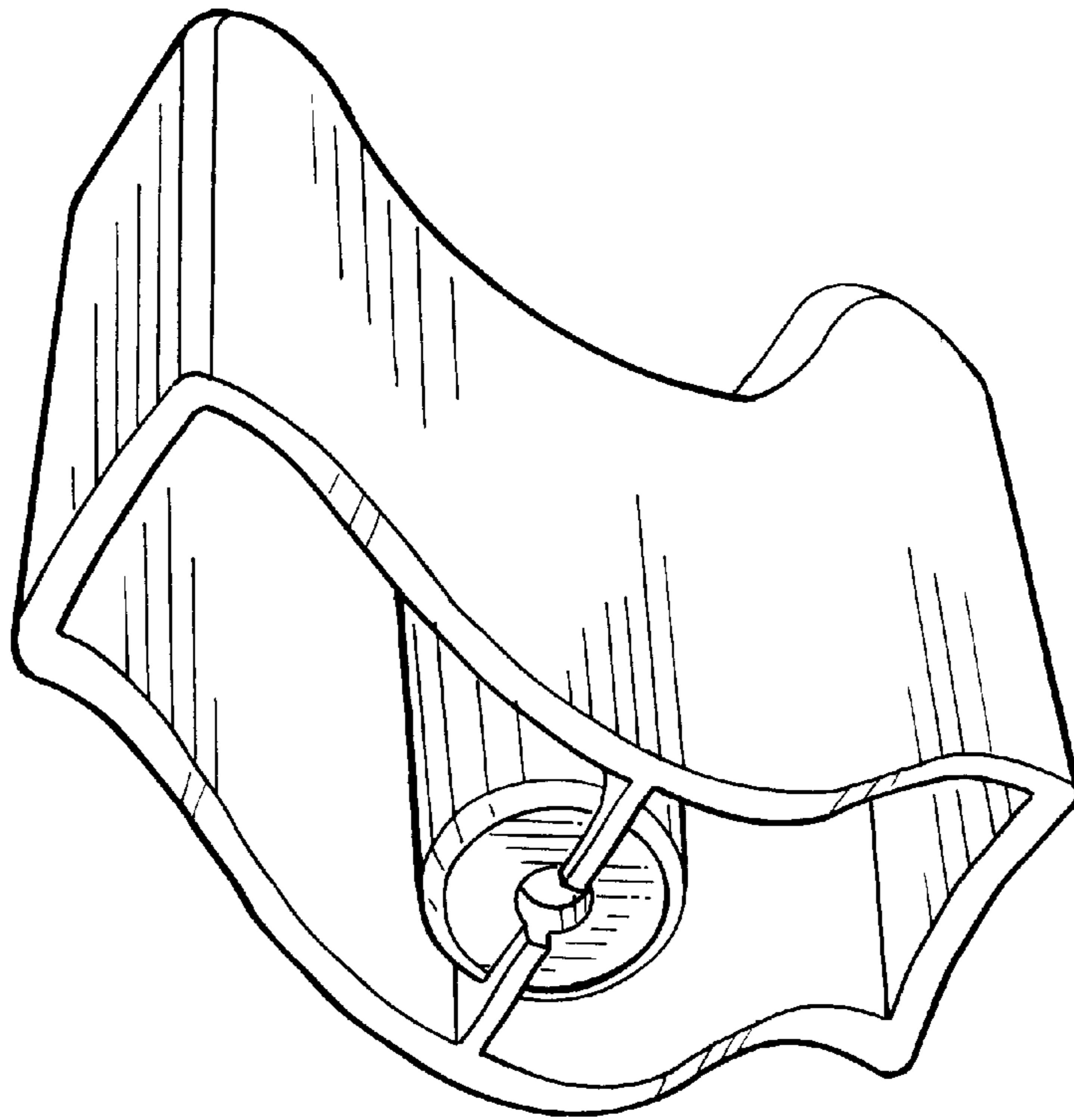


FIG. 2

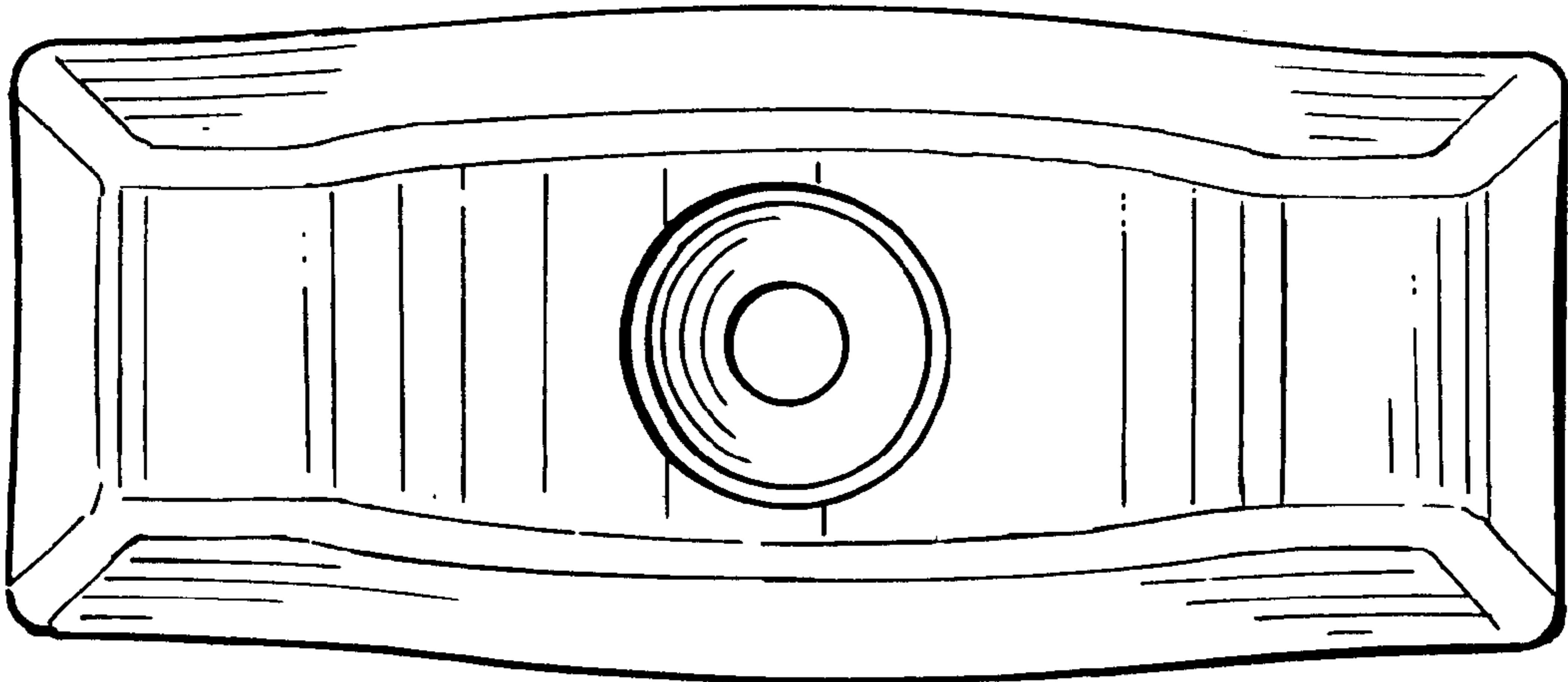


FIG. 3

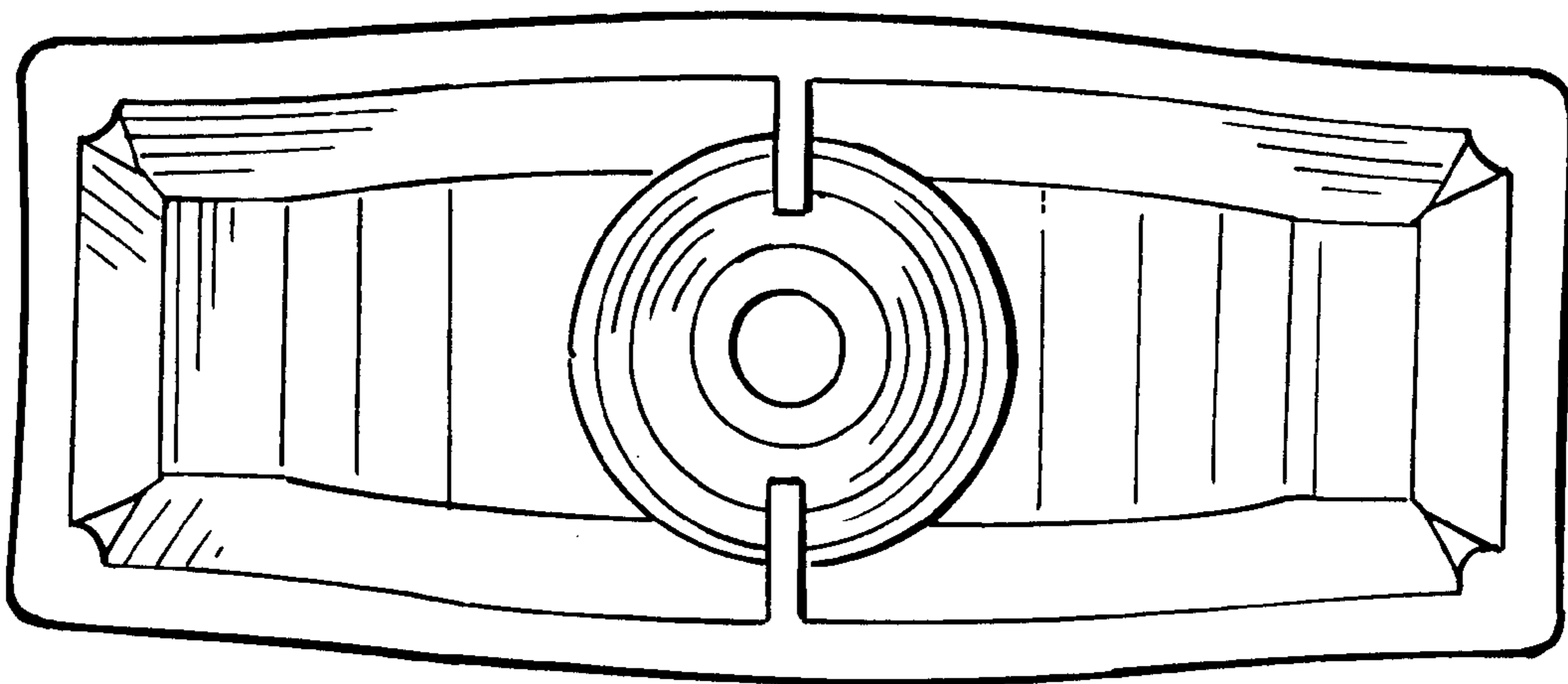


FIG. 4

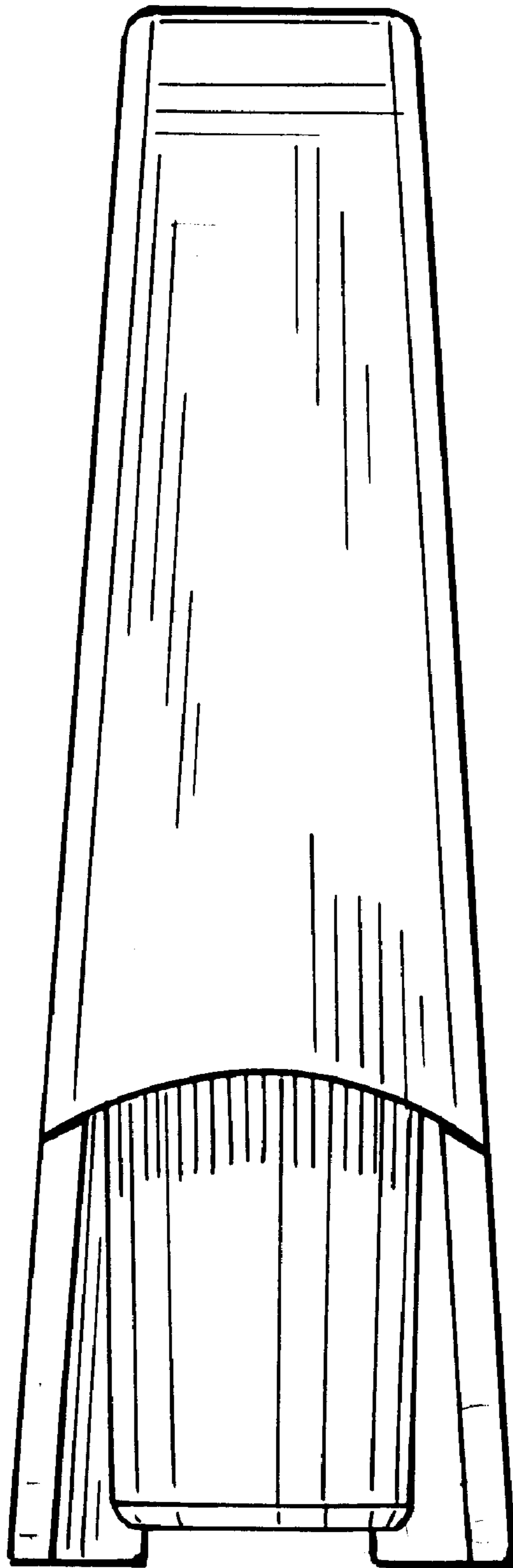


FIG. 5

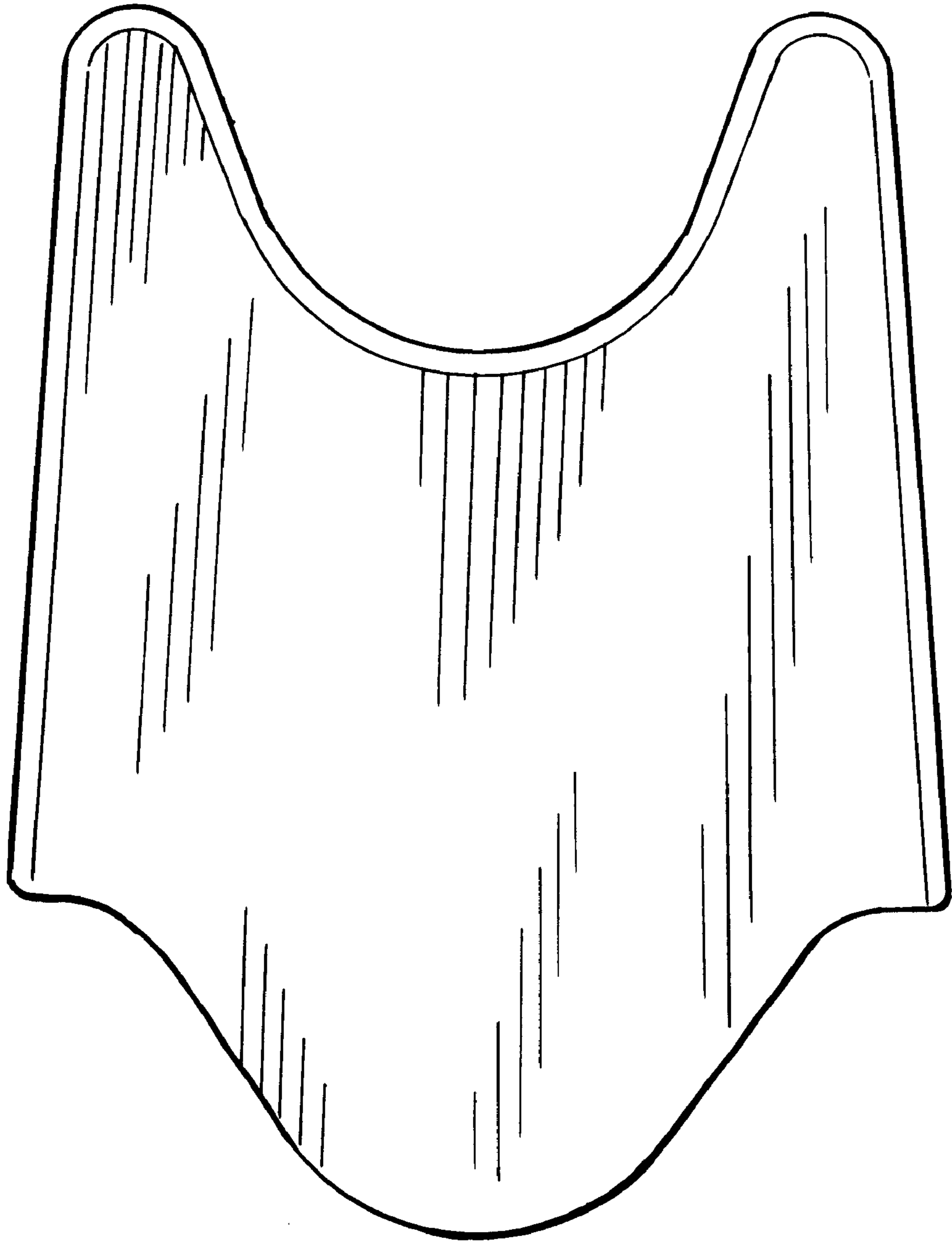


FIG. 6