



US00D447520B1

(12) **United States Design Patent**
Rodriguez

(10) **Patent No.:** **US D447,520 S**

(45) **Date of Patent:** **** Sep. 4, 2001**

(54) **COVERED GAME PIECE HOLDER**

(74) *Attorney, Agent, or Firm*—Ross, Ross & Flavin

(76) Inventor: **William Rodriguez**, 82 Outer Dr.,
Chicopee, MA (US) 01022

(57) **CLAIM**

The ornamental design for a covered game piece holder, as shown and described.

(**) Term: **14 Years**

DESCRIPTION

(21) Appl. No.: **29/121,894**

FIG. 1 is a front perspective view of a covered game piece holder embodying my new design with the cover shown in a closed position;

(22) Filed: **Apr. 17, 2000**

FIG. 2 is a front perspective view similar to FIG. 1, with the cover shown in a raised position;

(51) **LOC (7) Cl.** **21-01**

(52) **U.S. Cl.** **D21/392**

(58) **Field of Search** D21/385, 391–396;
D19/75, 89, 90, 91; D20/44; 273/148 R,
148 A, 150, 299

FIG. 3 is a front perspective view similar to FIG. 2, and including a plurality of game pieces shown in broken lines for illustrative purposes only and forming no part of the claimed design;

(56) **References Cited**

U.S. PATENT DOCUMENTS

D. 262,727	1/1982	Snyder	D21/54
D. 294,838	* 3/1988	Wells	D21/392
D. 347,451	5/1994	Kazakowitz	D21/54
D. 352,530	* 11/1994	Gauvreau	D21/393
D. 392,680	3/1998	Shaefer	D19/90
D. 432,169	* 10/2000	Stravitz	D19/75
3,543,992	12/1970	Paige	229/16
3,917,275	11/1975	Alpher	273/136 A
4,544,158	* 10/1985	Kilmonis	273/150
5,014,996	* 5/1991	Braunhut	273/299
5,938,528	8/1999	Glapion	463/11

FIG. 4 is a side elevational view of the covered game piece holder as seen from the right of FIG. 1, the opposite side being a mirror image;

FIG. 5 is a side elevation view of the covered game piece holder as seen from the right of FIG. 2, the opposite side being a mirror image;

FIG. 6 is a front elevational view of the covered game piece holder of FIG. 2;

FIG. 7 is a rear elevational view of the covered game piece holder of FIG. 3;

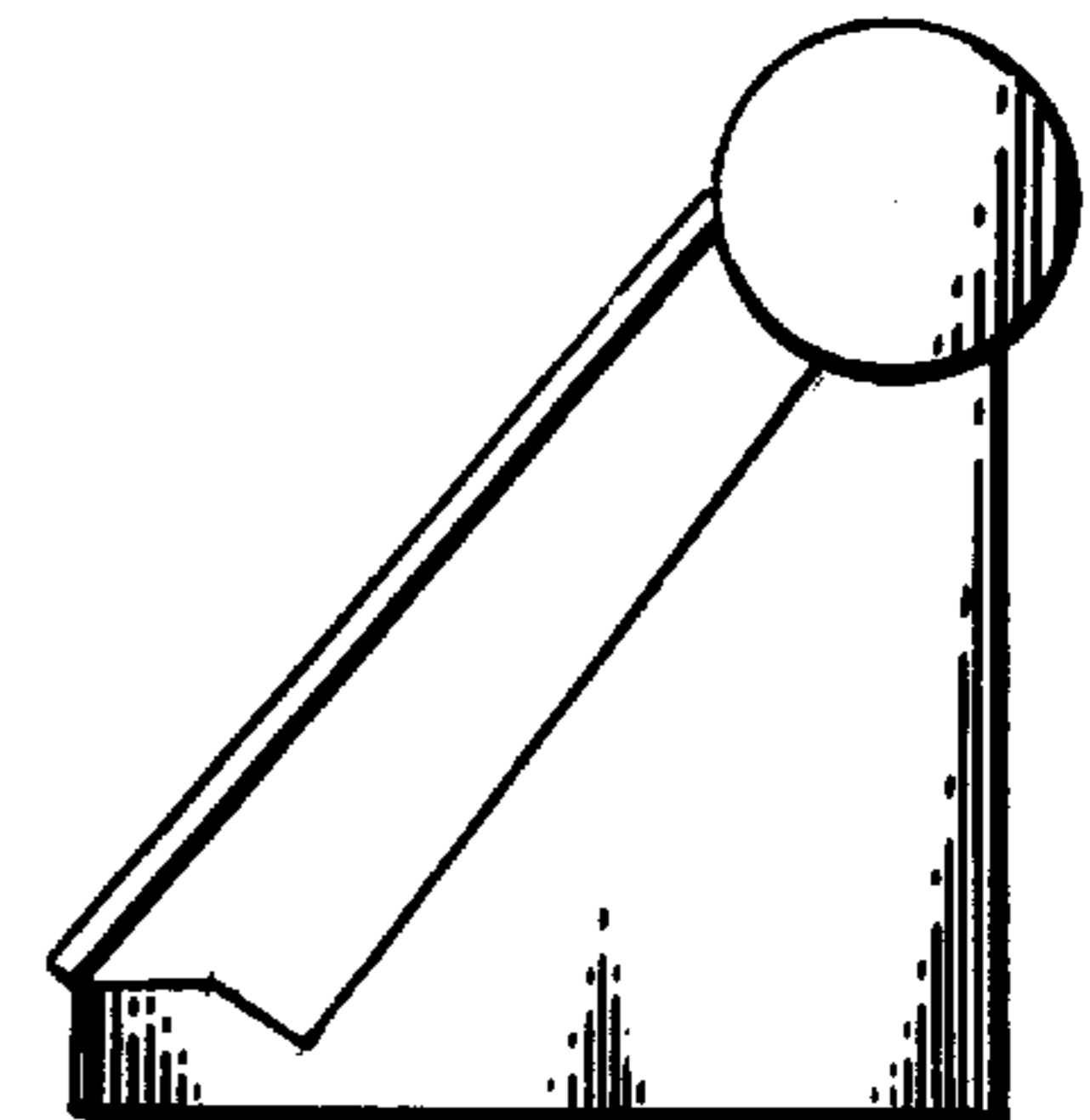
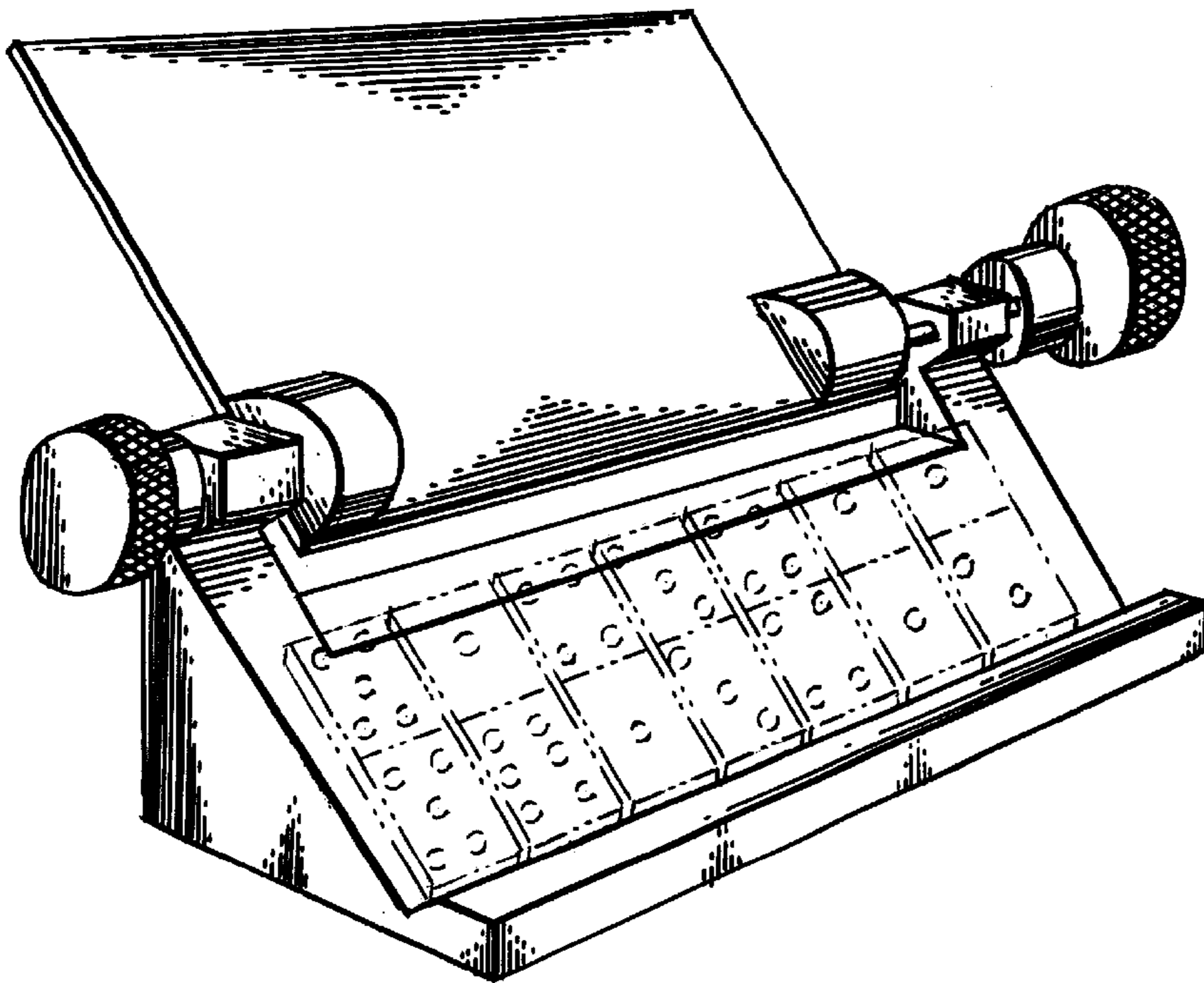
FIG. 8 is a top plan view of the covered game piece holder of FIG. 2; and,

FIG. 9 is a bottom plan view of the covered game piece holder of FIG. 2.

* cited by examiner

Primary Examiner—Sandra L. Morris

1 Claim, 4 Drawing Sheets



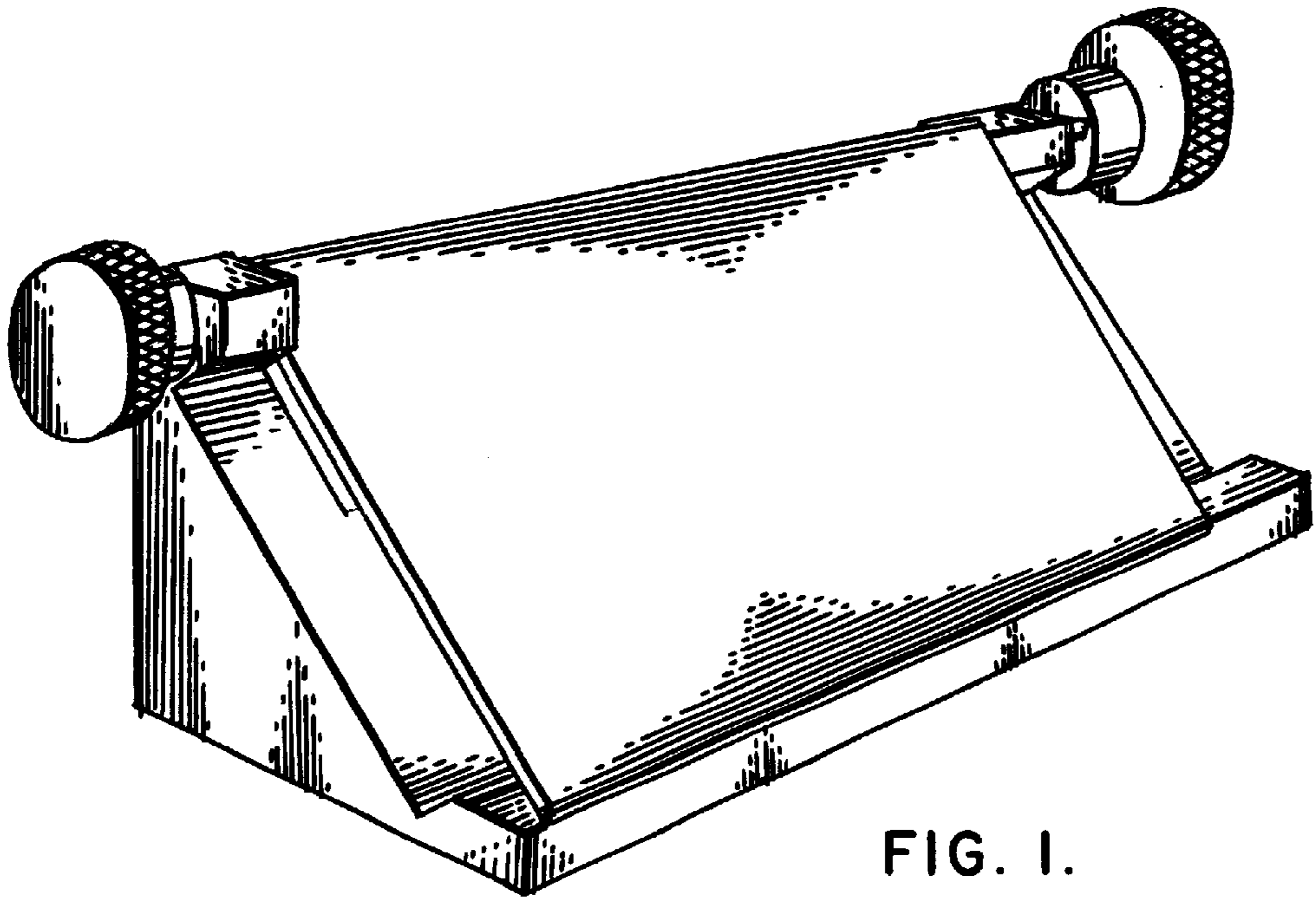


FIG. 1.

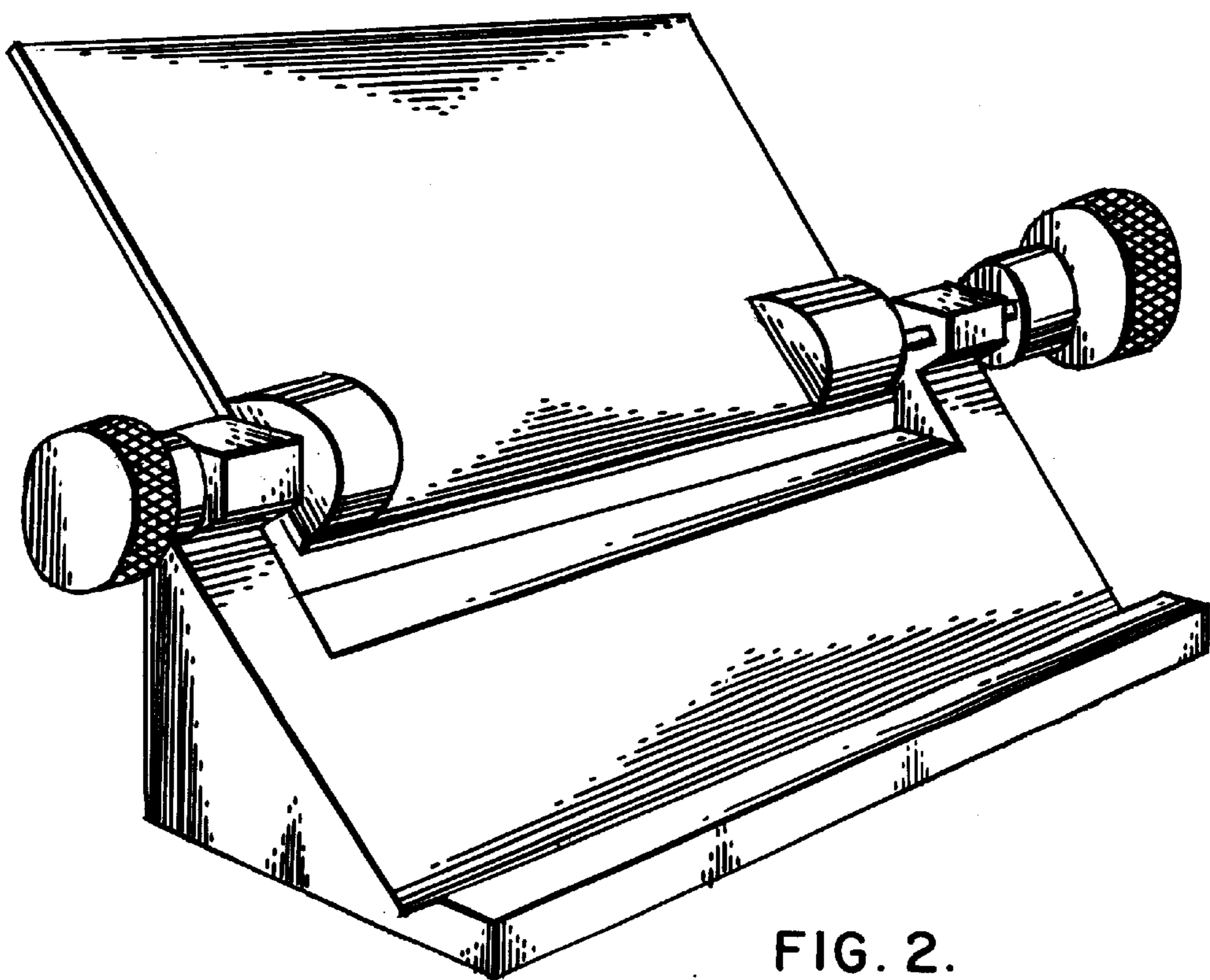
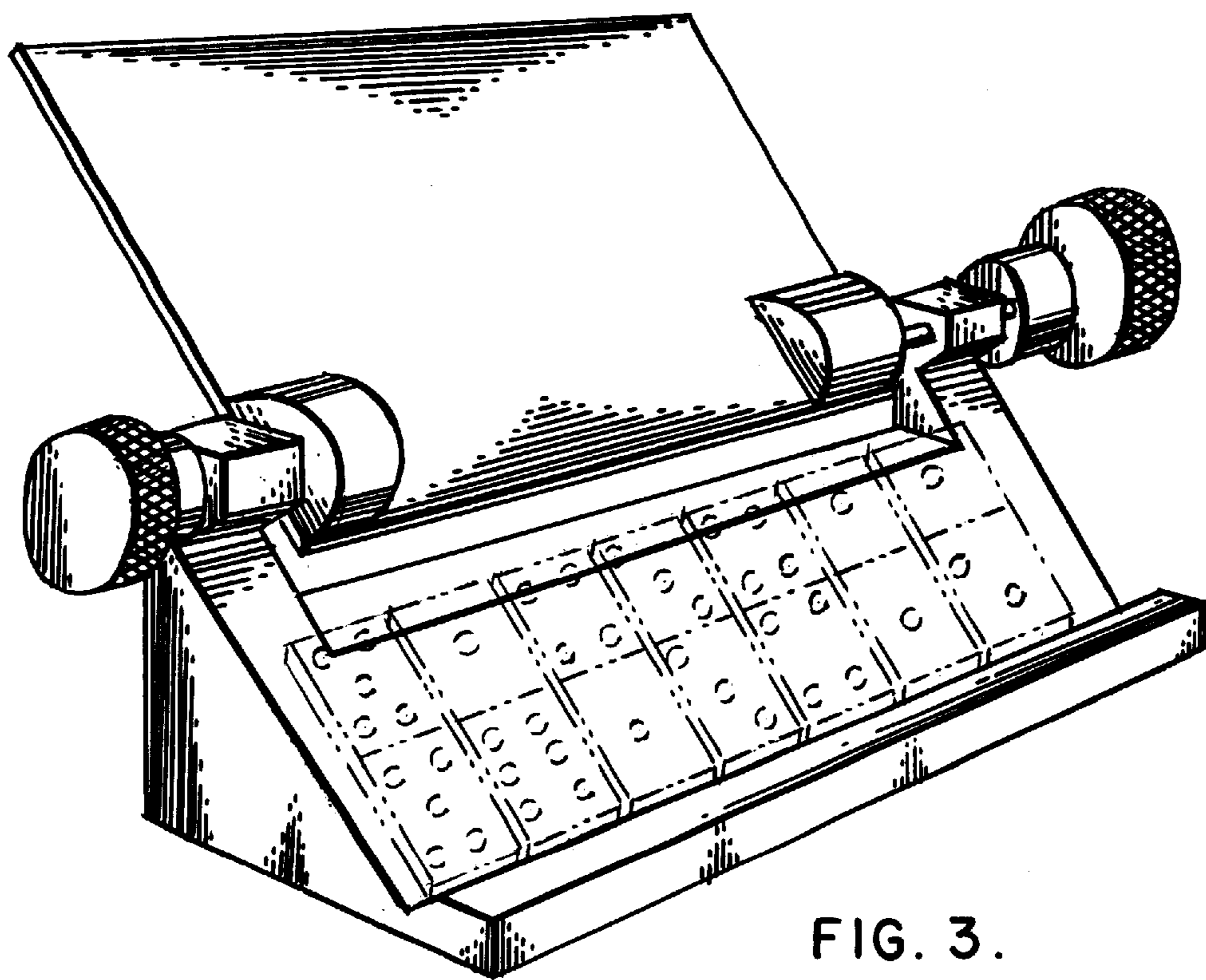
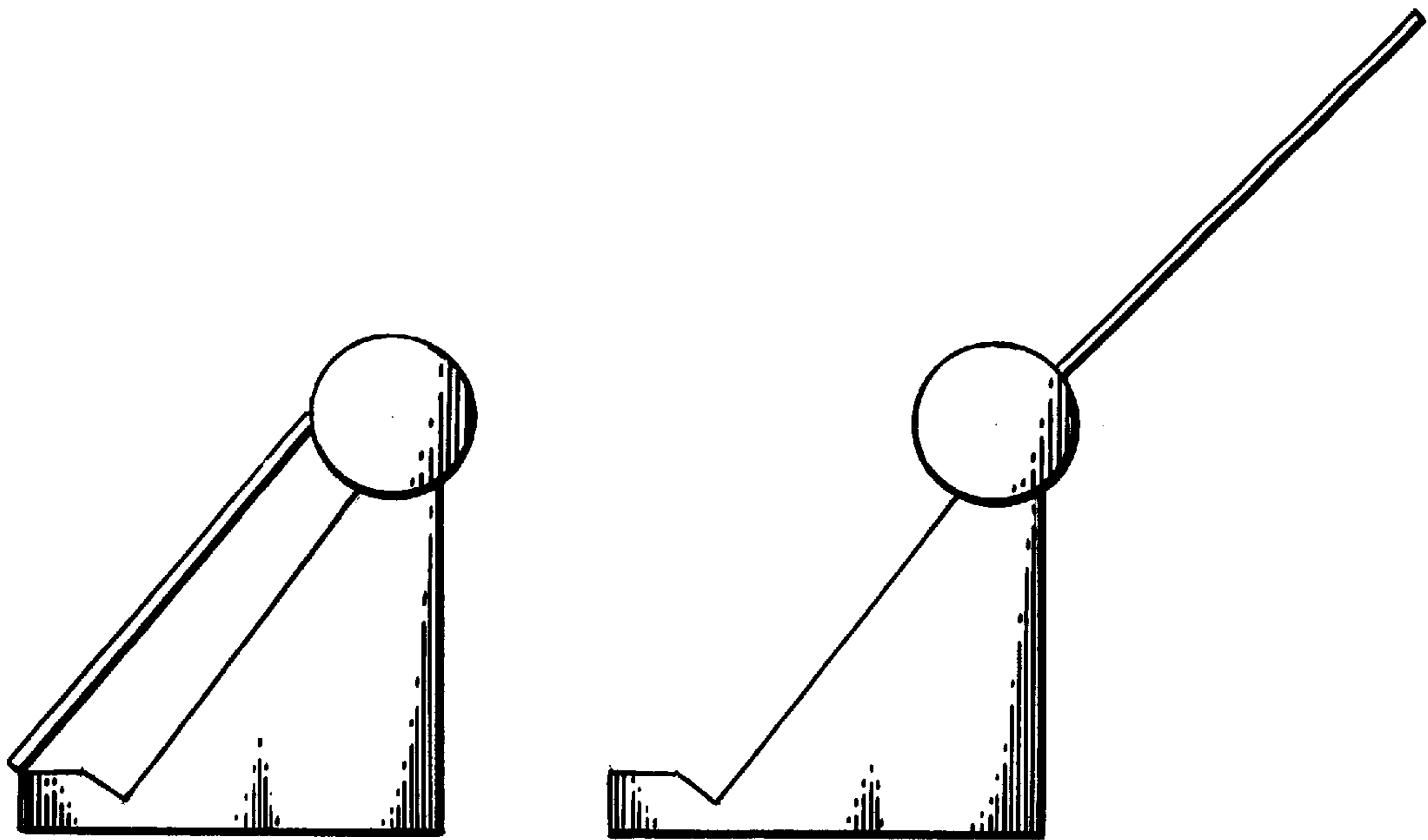


FIG. 2.



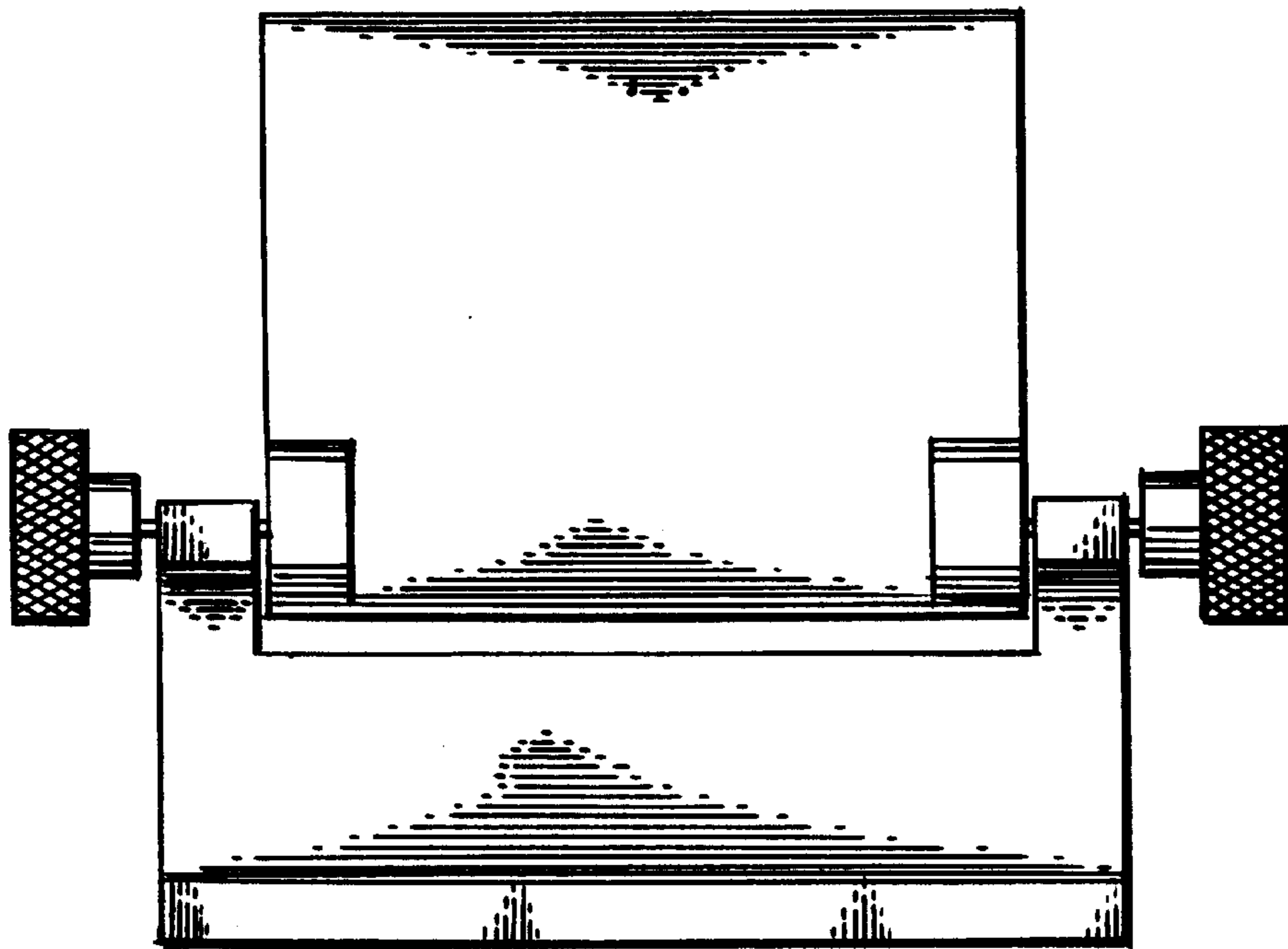


FIG. 6.

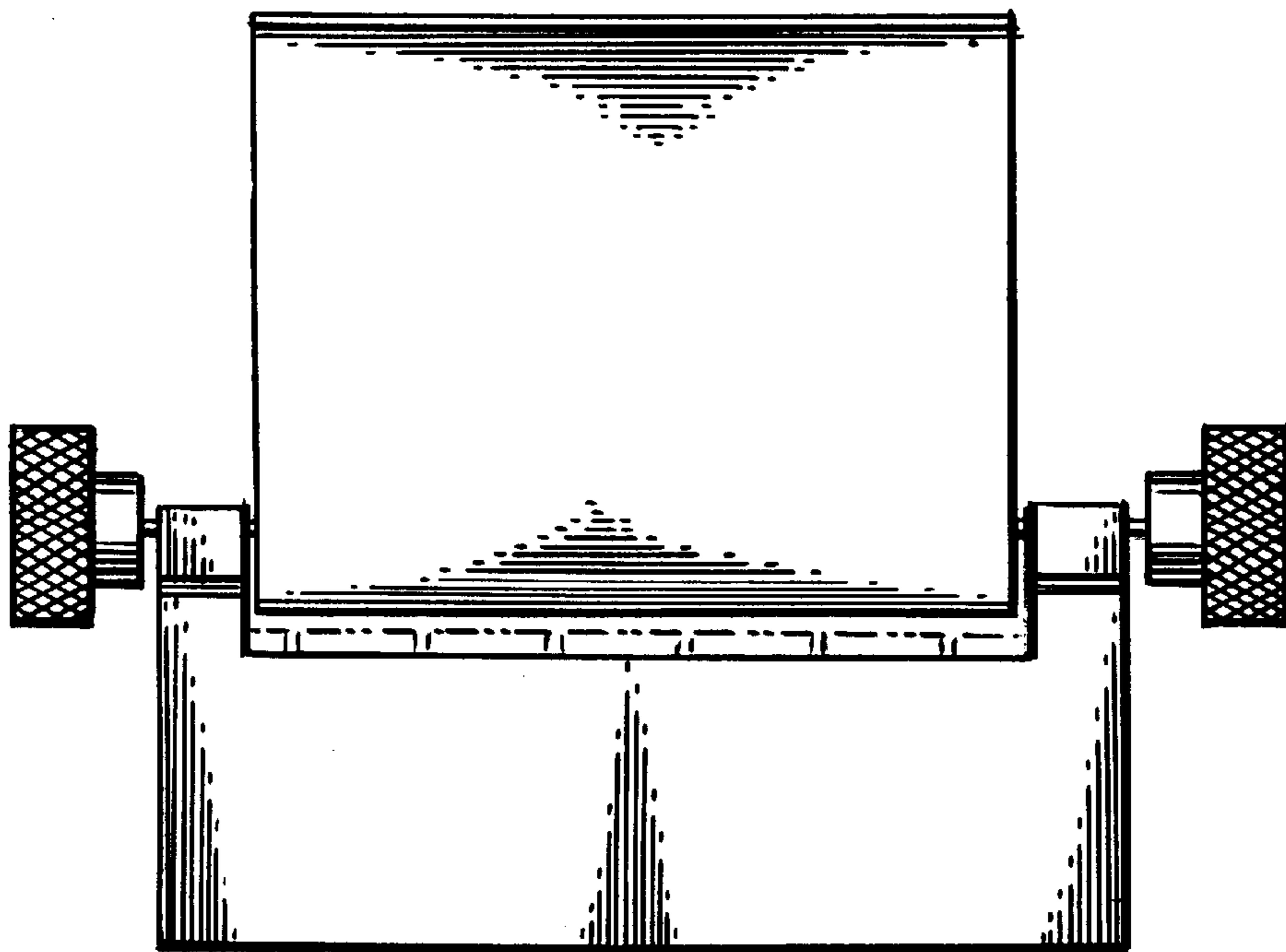


FIG. 7.

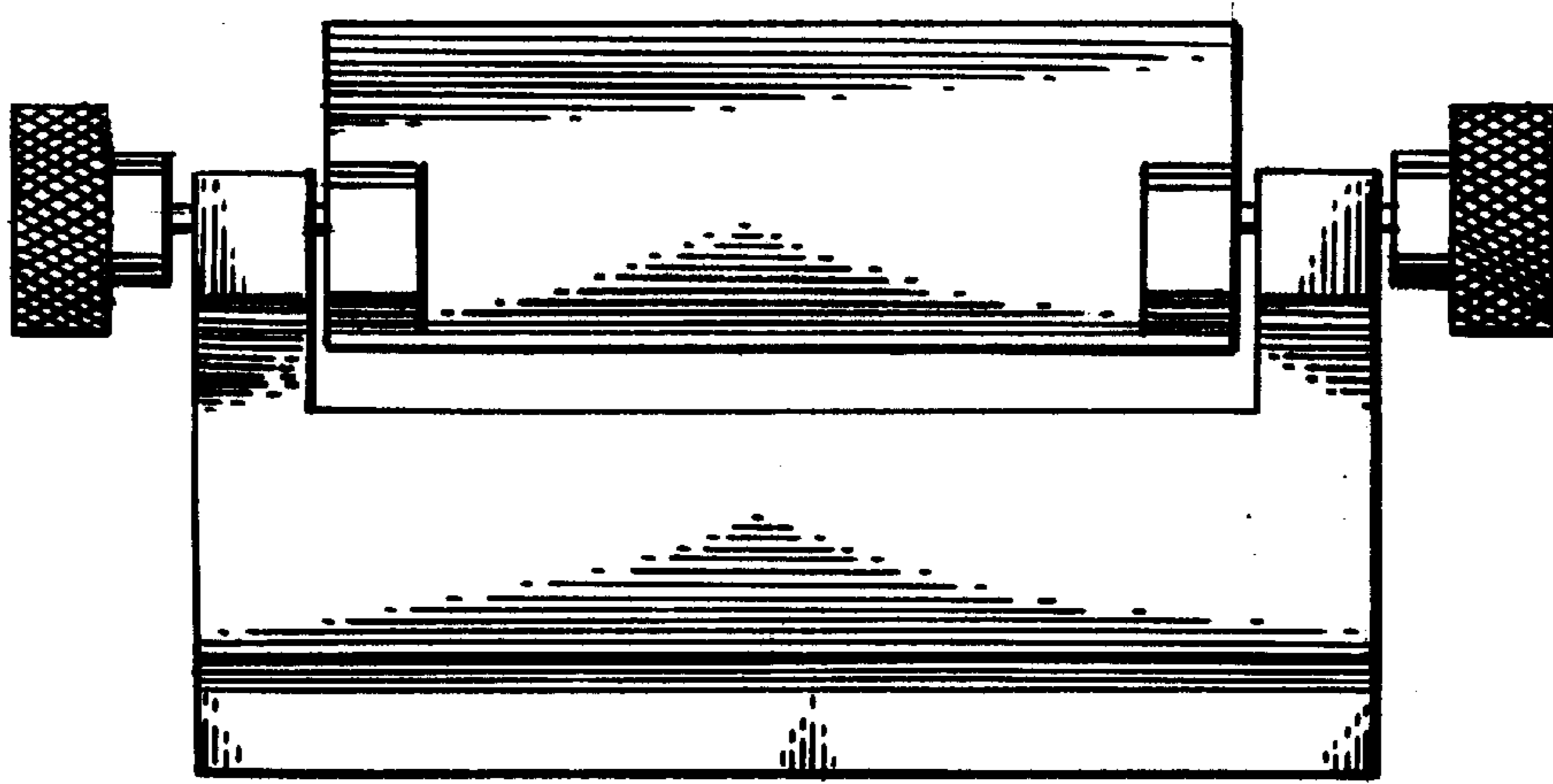


FIG. 8.

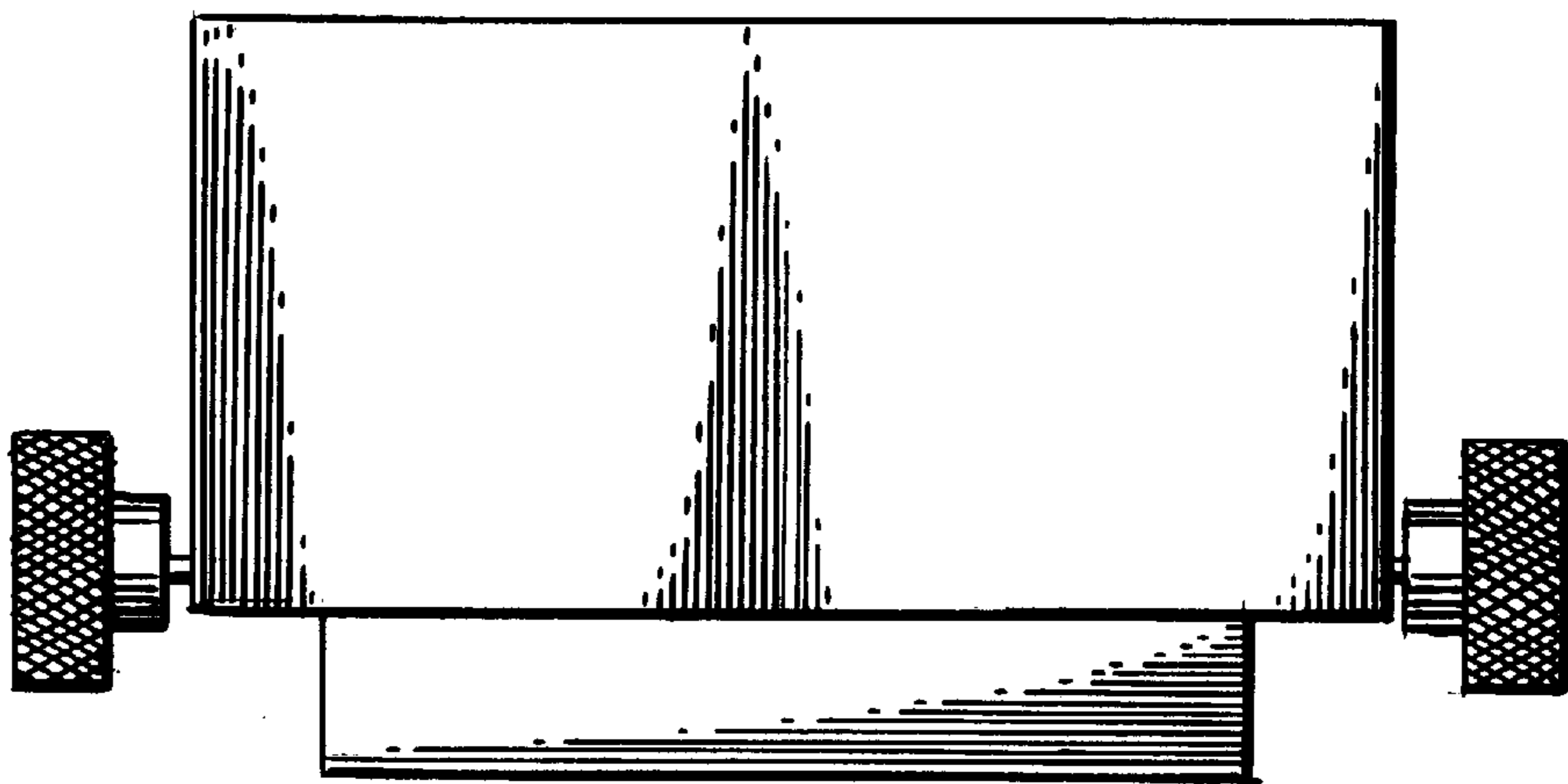


FIG. 9.