



US00D447518B1

(12) **United States Design Patent**  
**Lau**

(10) **Patent No.:** **US D447,518 S**

(45) **Date of Patent:** **\*\* Sep. 4, 2001**

(54) **PLACARD HOLDER FOR JEWELRY DISPLAY**

(74) *Attorney, Agent, or Firm*—Sheldon & Mak

(76) **Inventor:** **Anson W. Lau**, 352 Alahmar Ter., San Gabriel, CA (US) 91775

(57) **CLAIM**

The ornamental design for the placard holder for jewelry display, as shown and described.

(\*\*) **Term:** **14 Years**

**DESCRIPTION**

(21) **Appl. No.:** **29/120,376**

FIG. 1 is a top, left perspective view of a placard holder for jewelry display, the slotted ring case shown in broken lines for illustrative purposes only and forms no part of the claimed design;

(22) **Filed:** **Mar. 17, 2000**

(51) **LOC (7) Cl.** ..... **20-02**

FIG. 2 is a left, front perspective view thereof;

(52) **U.S. Cl.** ..... **D20/43**

FIG. 3 is a right side elevational view thereof;

(58) **Field of Search** ..... D20/43; 40/642.02, 40/646, 649, 650, 653

FIG. 4 is a rear elevational view thereof;

FIG. 5 is a left, front perspective view of a second embodiment of FIG. 1;

(56) **References Cited**

**U.S. PATENT DOCUMENTS**

D. 27,364	*	7/1897	Hill et al.	.....	D20/43
D. 199,020	*	9/1964	Beddar	.....	D20/43
D. 275,867	*	10/1984	Lazzara et al.	.....	D20/43
D. 314,017	*	1/1991	Garfinkle	.....	D20/43
D. 422,643	*	4/2000	Goslin et al.	.....	D20/43
D. 425,566	*	5/2000	Mueller	.....	D20/43

FIG. 6 is a right side elevational view of FIG. 5;

FIG. 7 is a rear elevational view of FIG. 5;

FIG. 8 is a top, left perspective view of a third embodiment of FIG. 1, the tab ring holder shown in broken lines for illustrative purposes only and forms no part of the claimed design;

FIG. 9 is a left perspective view of FIG. 8;

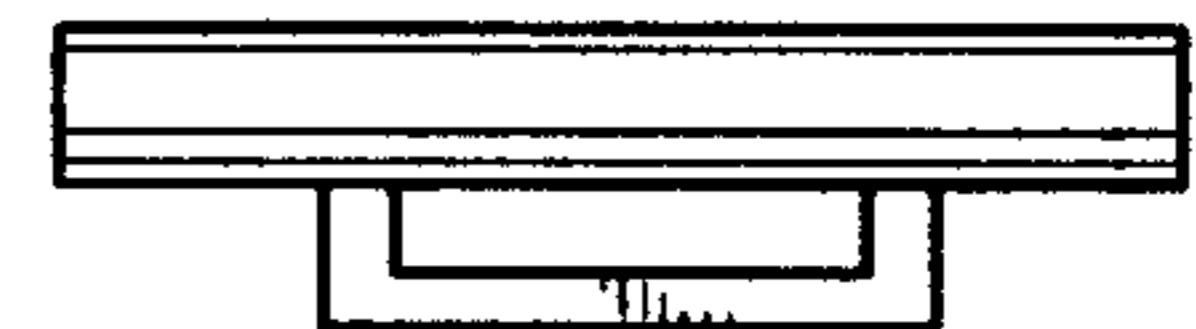
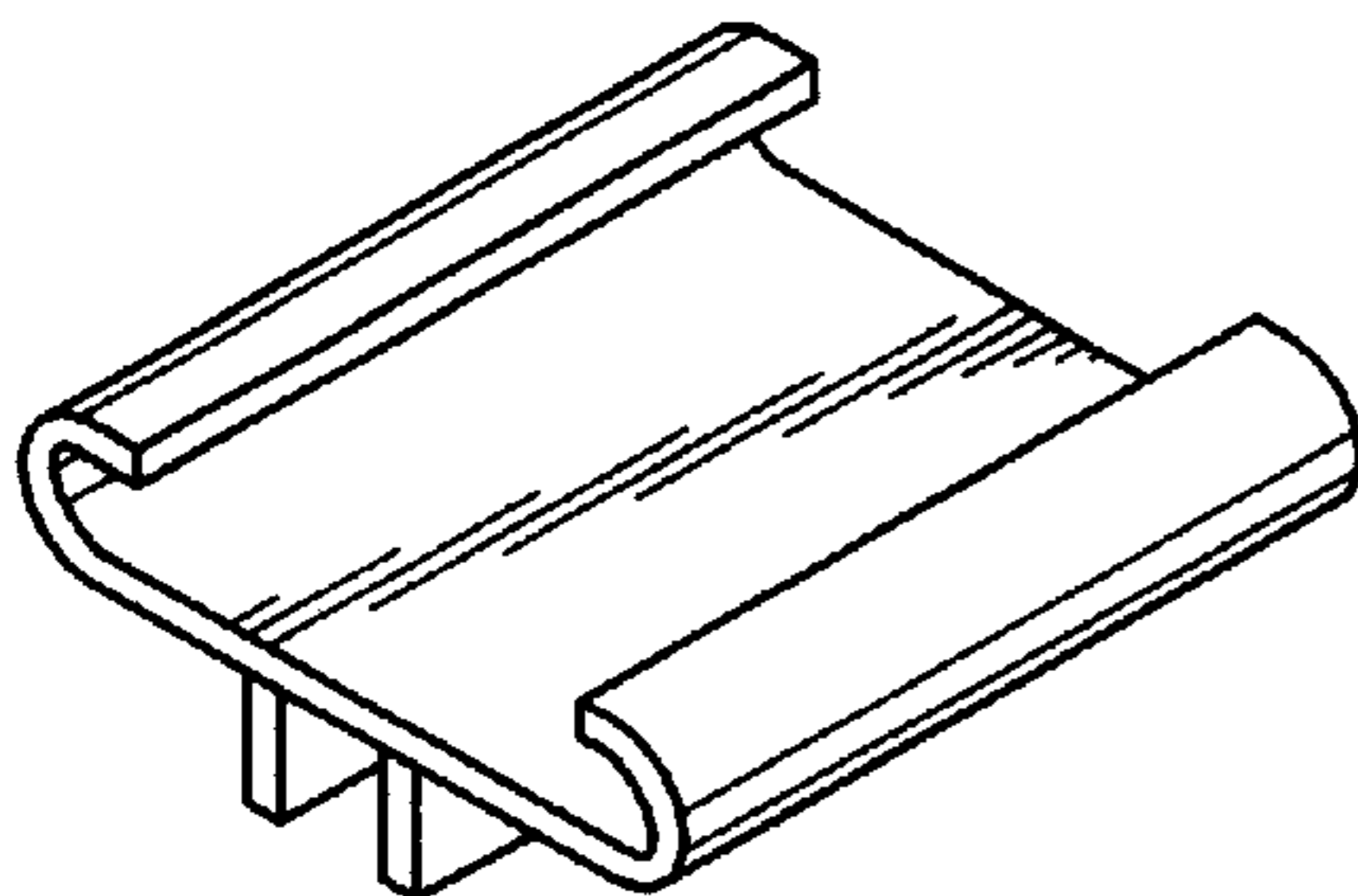
FIG. 10 is a right side elevational view thereof; and,

FIG. 11 is a rear elevational view thereof.

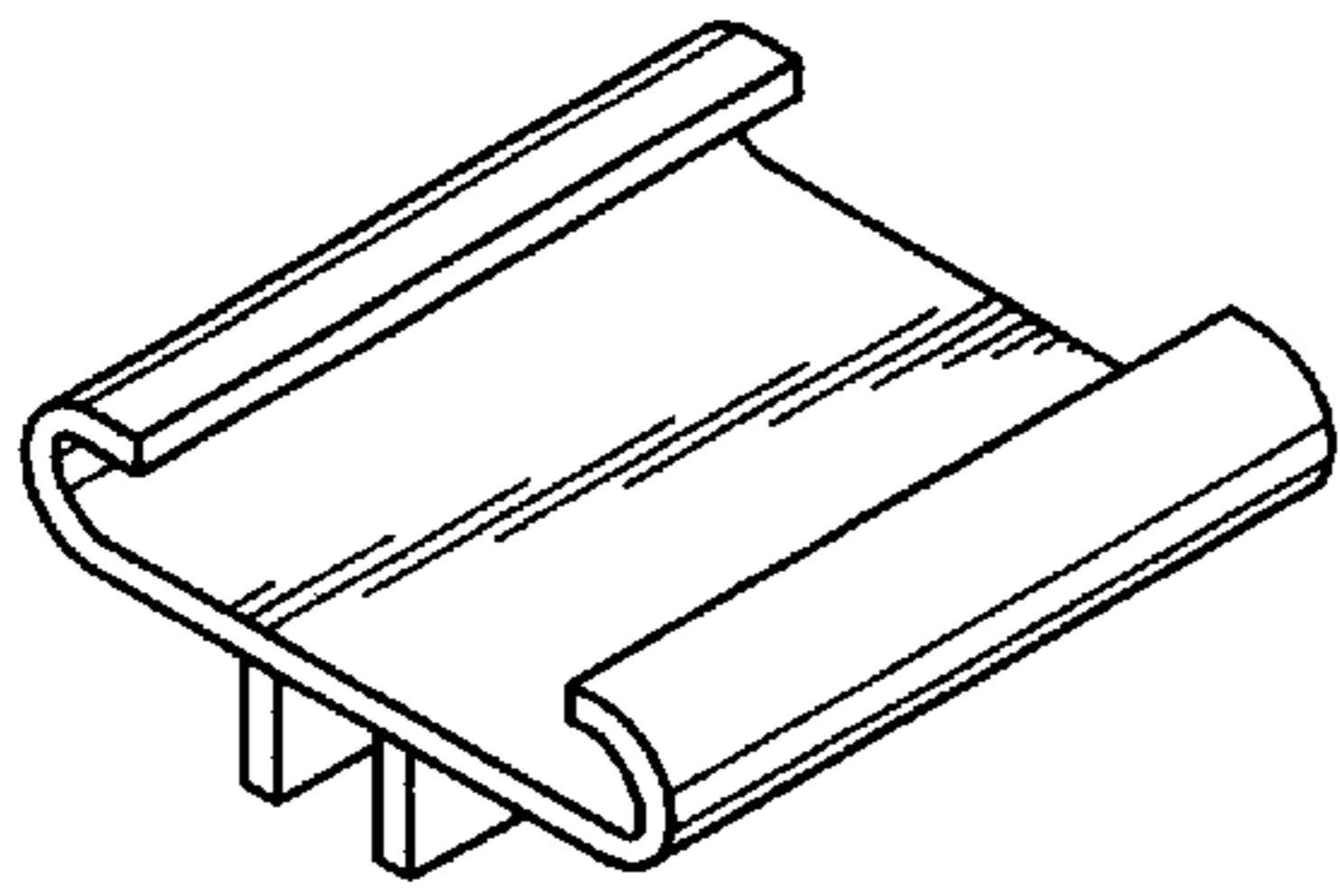
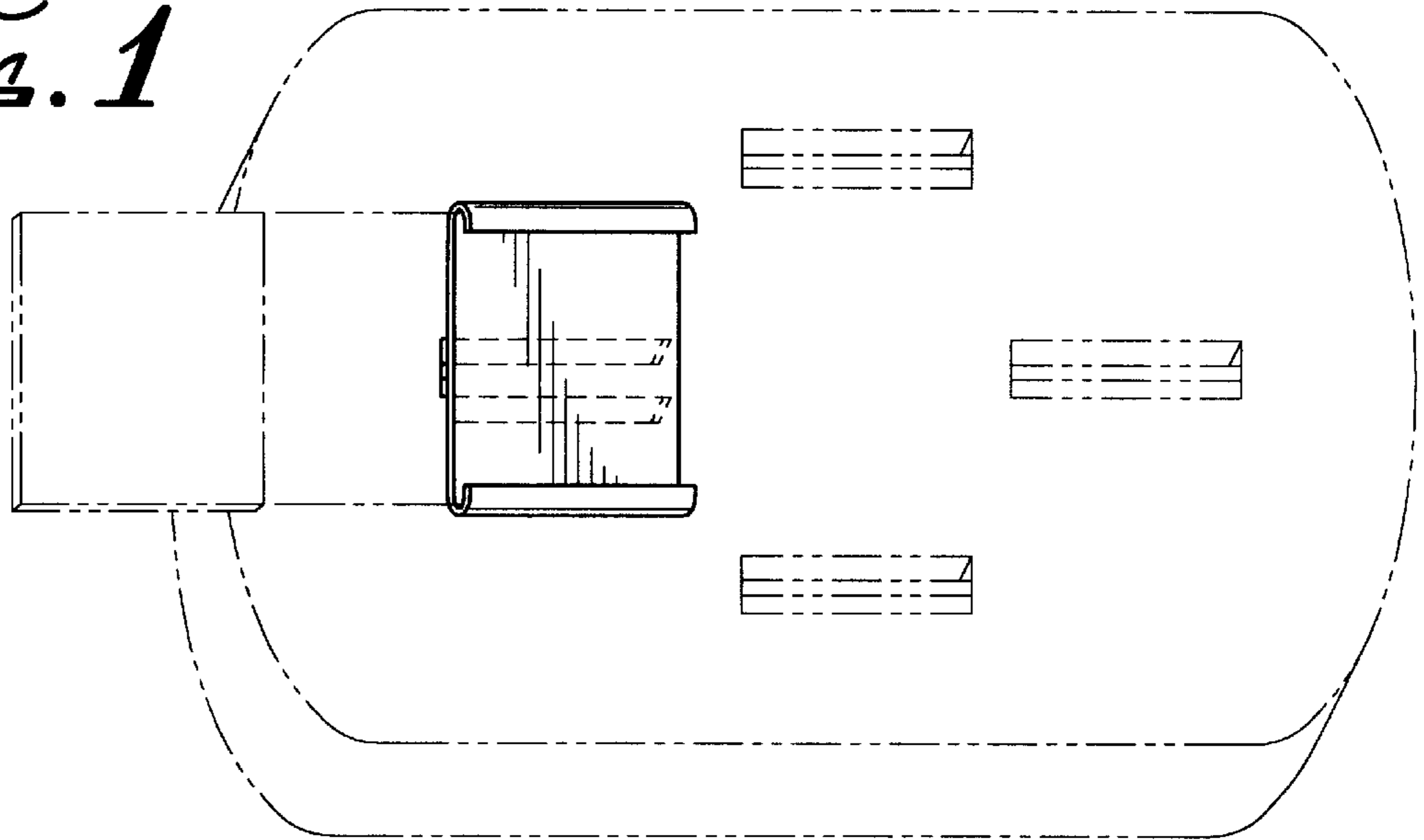
\* cited by examiner

*Primary Examiner*—Dominic Simone

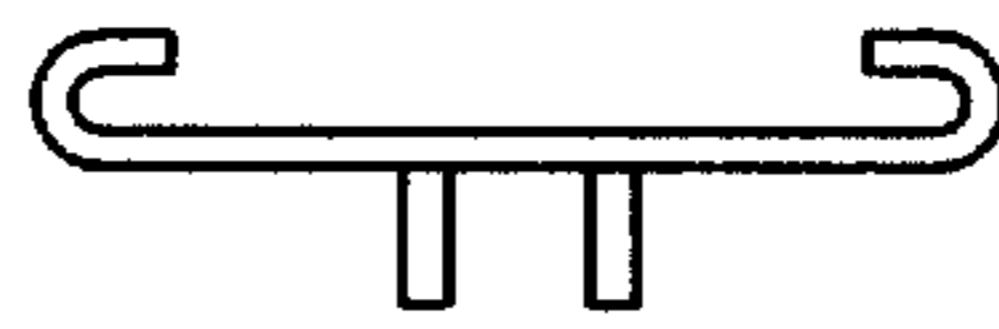
**1 Claim, 2 Drawing Sheets**



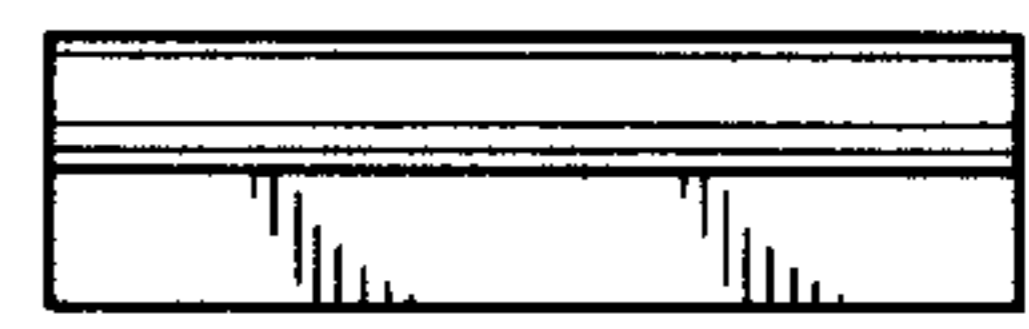
*FIG. 1*



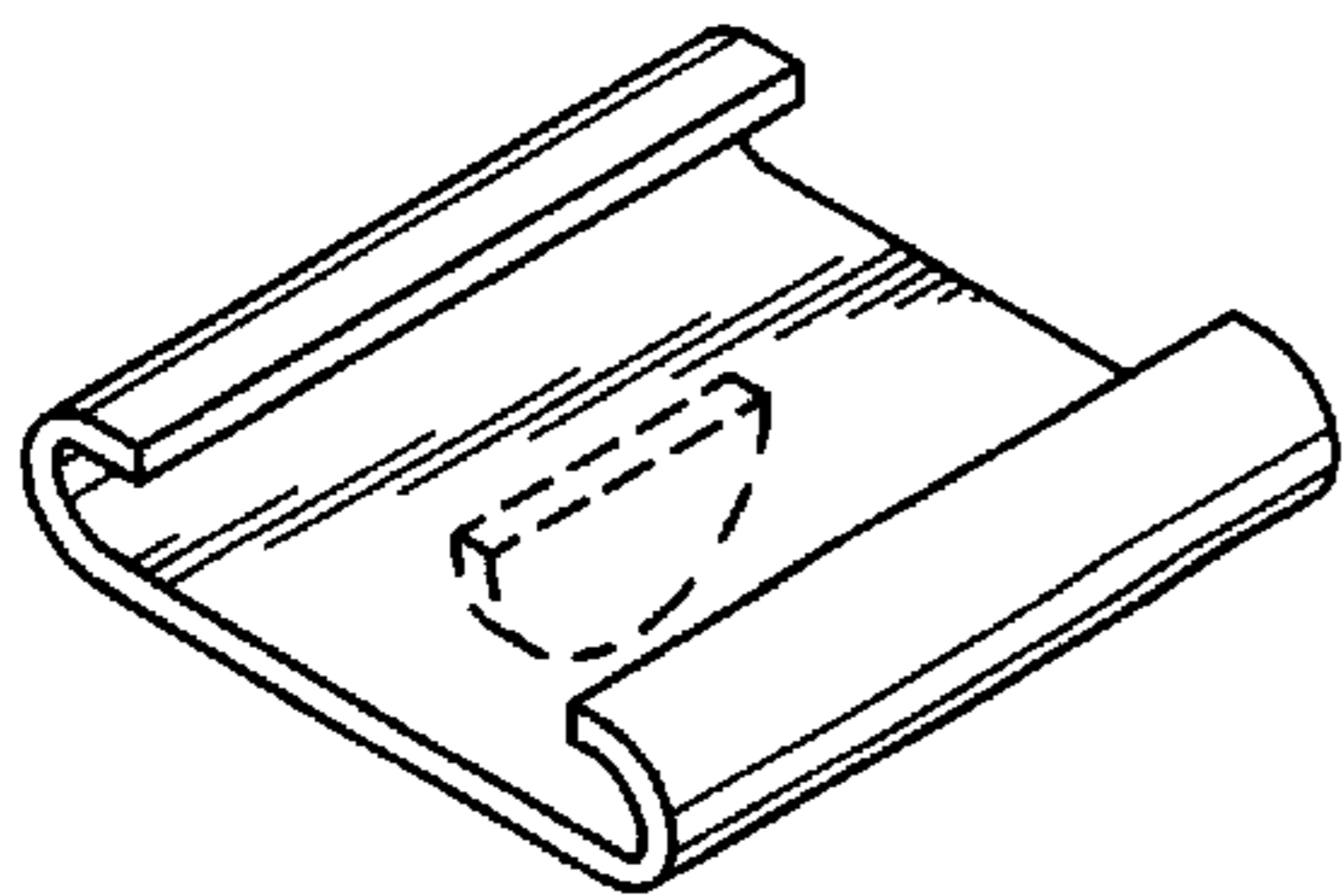
*FIG. 2*



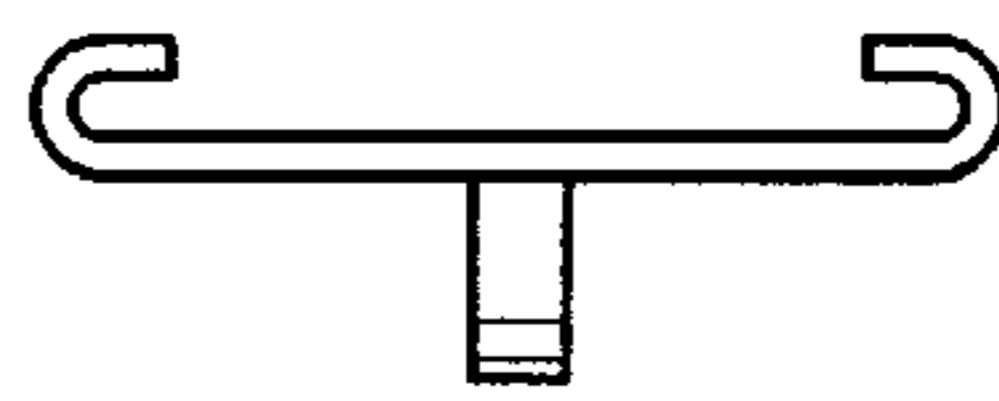
*FIG. 3*



*FIG. 4*



*FIG. 5*

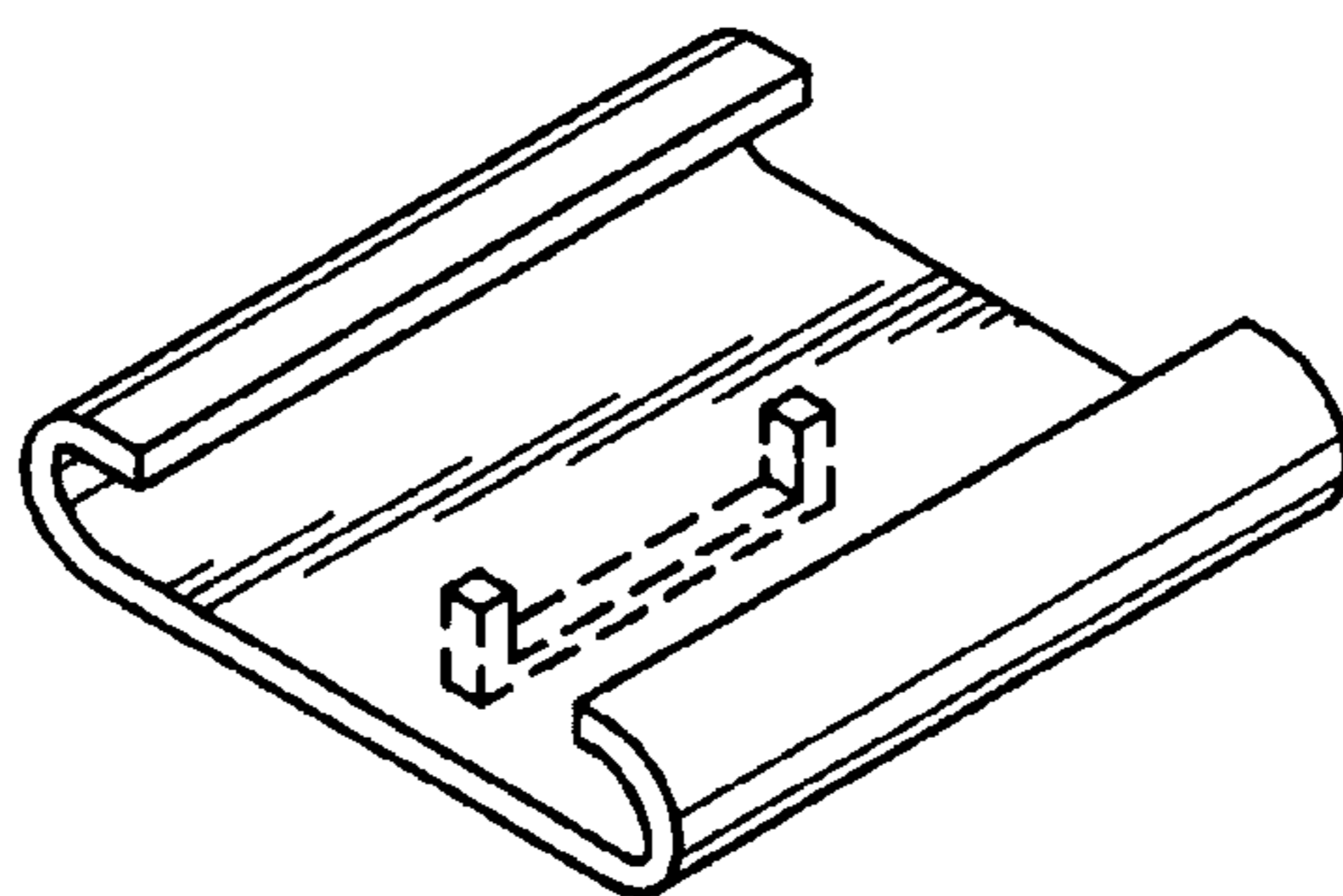
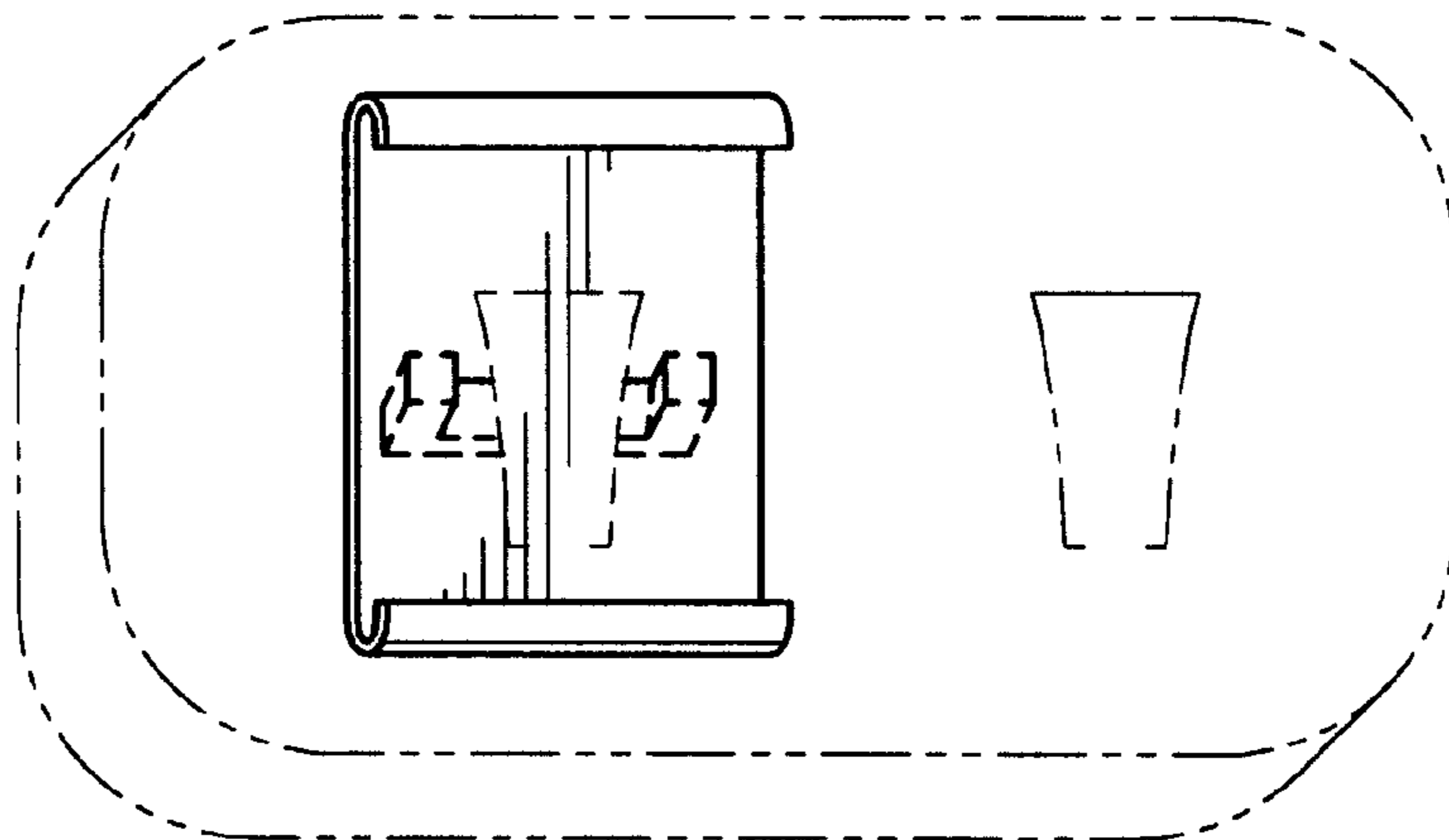


*FIG. 6*



*FIG. 7*

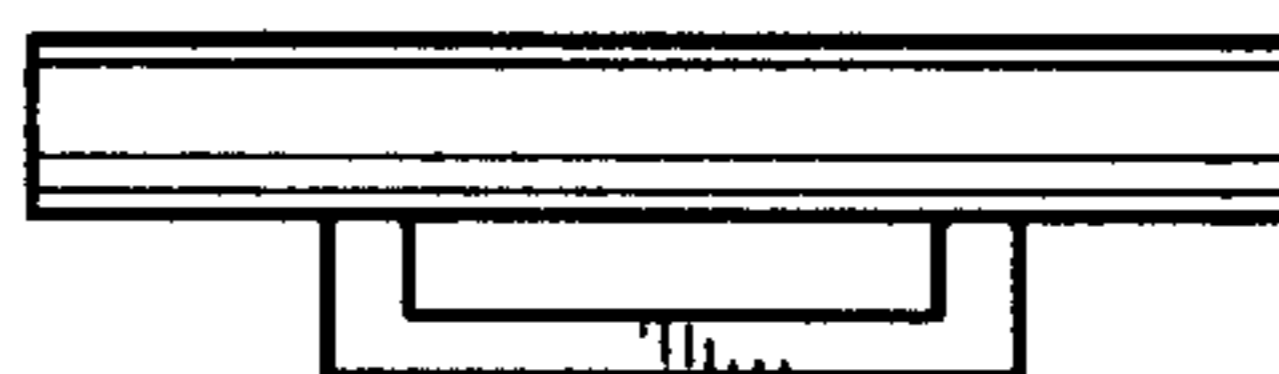
*FIG. 8*



*FIG. 9*



*FIG. 10*



*FIG. 11*