



US00D447517B1

(12) **United States Design Patent** (10) **Patent No.:** **US D447,517 S**
Flores, Jr. et al. (45) **Date of Patent:** **** Sep. 4, 2001**

(54) **DIGITAL MEDIA HOLDER**

(75) Inventors: **Victorio T. Flores, Jr.**, Rancho Palos Verdes; **Victorio M. Flores, III**, San Pedro; **Ernst C. Benjamins**, Covina, all of CA (US)

(73) Assignee: **Filam National Plastics**, Gardena, CA (US)

(**) Term: **14 Years**

(21) Appl. No.: **29/122,483**

(22) Filed: **Apr. 27, 2000**

(51) **LOC (7) Cl.** **19-02**

(52) **U.S. Cl.** **D19/76; D6/626; D19/99**

(58) **Field of Search** D19/1, 2, 65, 75, D19/76, 86, 90, 91, 95, 99, 100; D6/407, 629-635; 402/79, 75, 80 R, 80 P; 206/454, 308.1, 308.3, 309; 40/404, 638

(56) **References Cited**

U.S. PATENT DOCUMENTS

D. 159,645	*	8/1950	Knorr	D19/90
D. 285,938	*	9/1986	Ventres, Jr.	D19/1
D. 343,638	*	1/1994	Kovner	D19/1
D. 402,315	*	12/1998	Kurata	D19/90
4,905,392	*	3/1990	Klein	40/638
4,930,928	*	6/1990	Ristuccia, Sr.	402/79
5,392,913	*	2/1995	Merrick	206/454
5,572,815	*	11/1996	Kovner	40/404
5,924,564	*	7/1999	Lin	206/308.1

* cited by examiner

Primary Examiner—Martie K. Holtje

(74) *Attorney, Agent, or Firm*—Christie, Parker & Hale, LLP

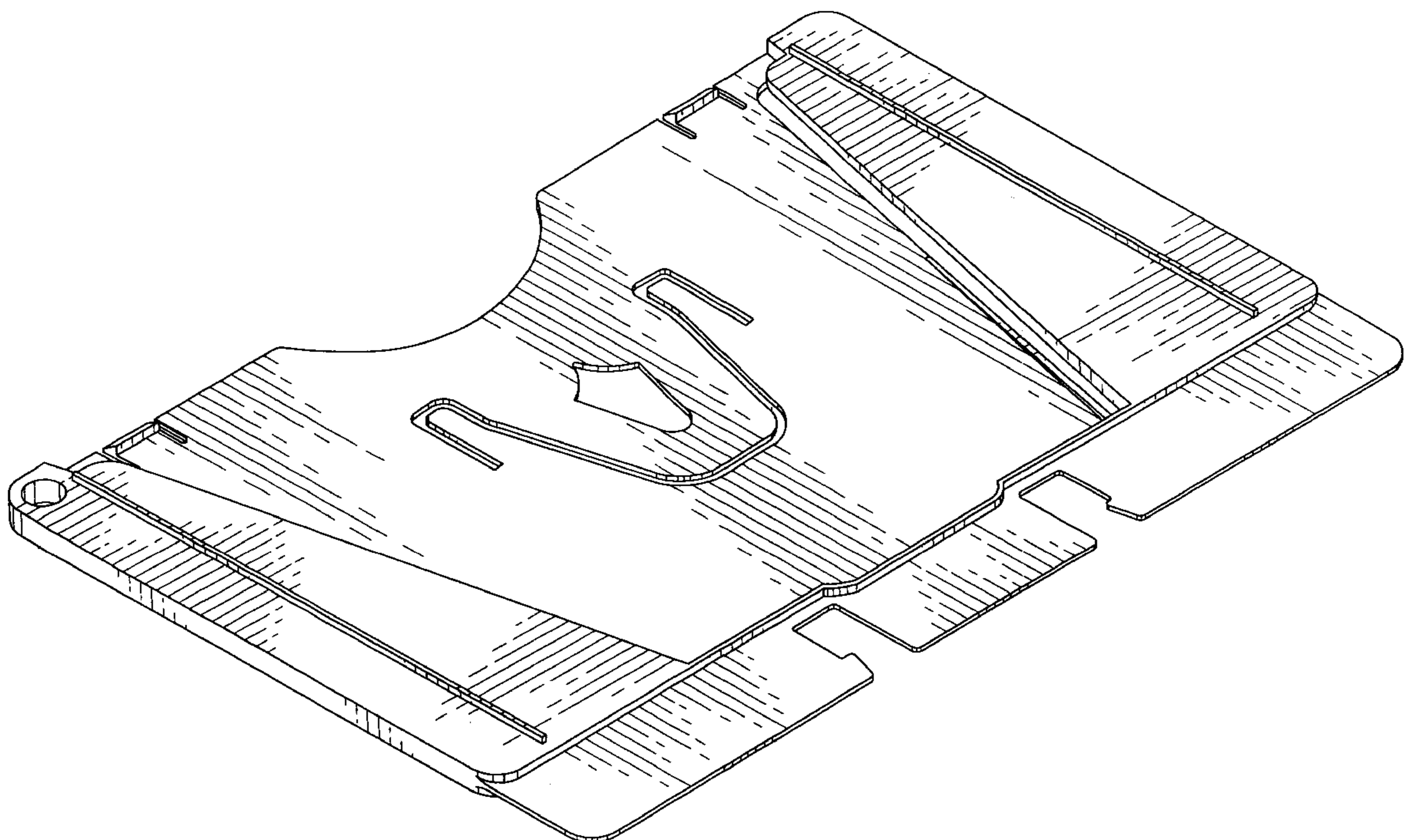
(57) **CLAIM**

The ornamental design for a digital media holder, as shown and described.

DESCRIPTION

FIG. 1 is a perspective view of a first embodiment of a digital media holder, showing the front of our new design; FIG. 2 is a perspective view showing the rear thereof; FIG. 3 is a front elevational view thereof; FIG. 4 is a rear elevational view thereof; FIG. 5 is a top elevational view thereof; FIG. 6 is a bottom elevational view thereof; FIG. 7 is a right side elevational view thereof (the left side elevational view being substantially a mirror-image of the right side elevational view); FIG. 8 is a perspective view of a second embodiment of a digital media holder, showing the front of our new design; FIG. 9 is a perspective view showing the rear thereof; FIG. 10 is a front elevational view thereof; FIG. 11 is a rear elevational view thereof; FIG. 12 is a top elevational view thereof; FIG. 13 is a bottom elevational view thereof; and, FIG. 14 is a right side elevational view thereof (the left side elevational view being substantially a mirror-image of the right side elevational view).

1 Claim, 8 Drawing Sheets



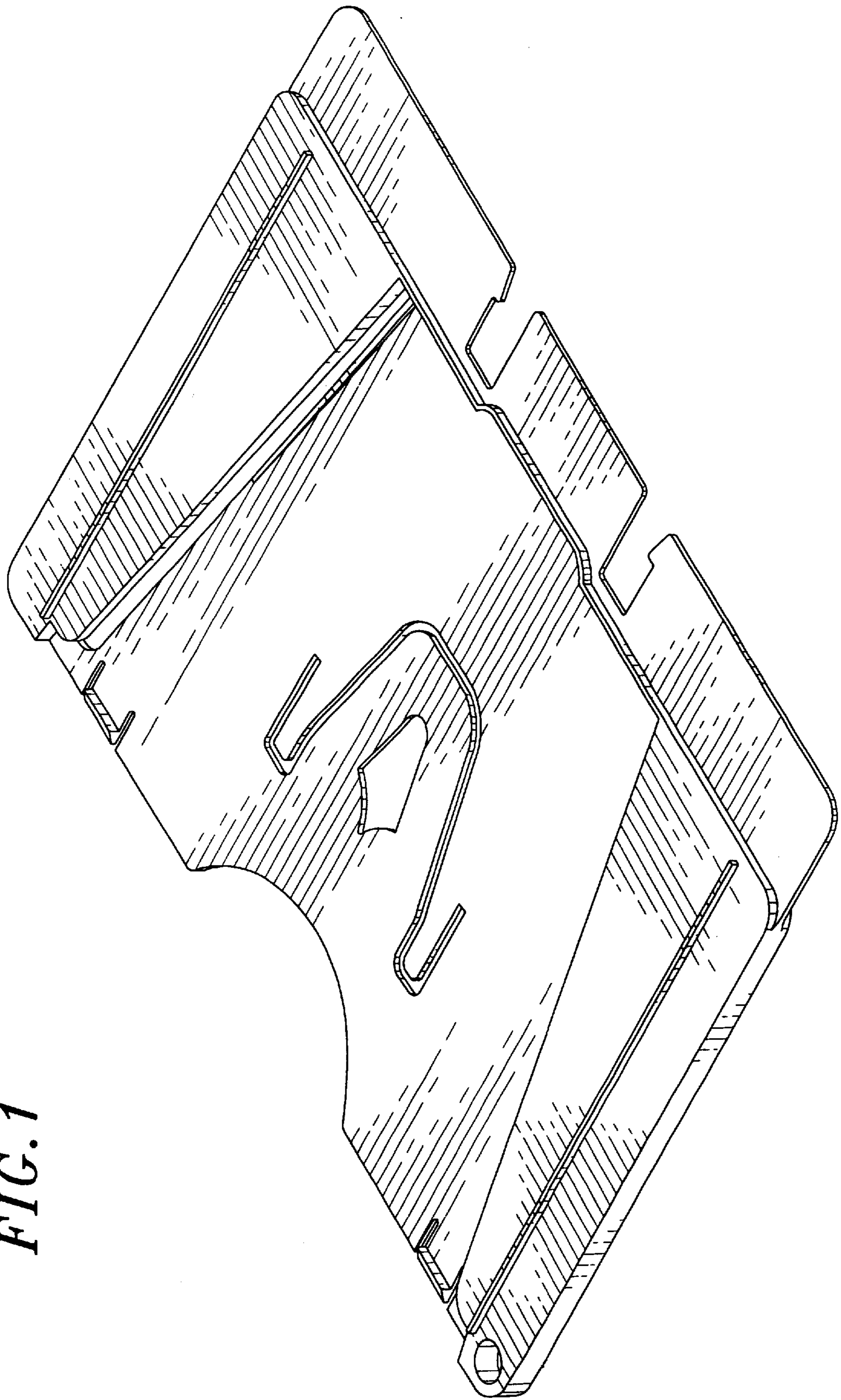


FIG. 1

FIG. 2

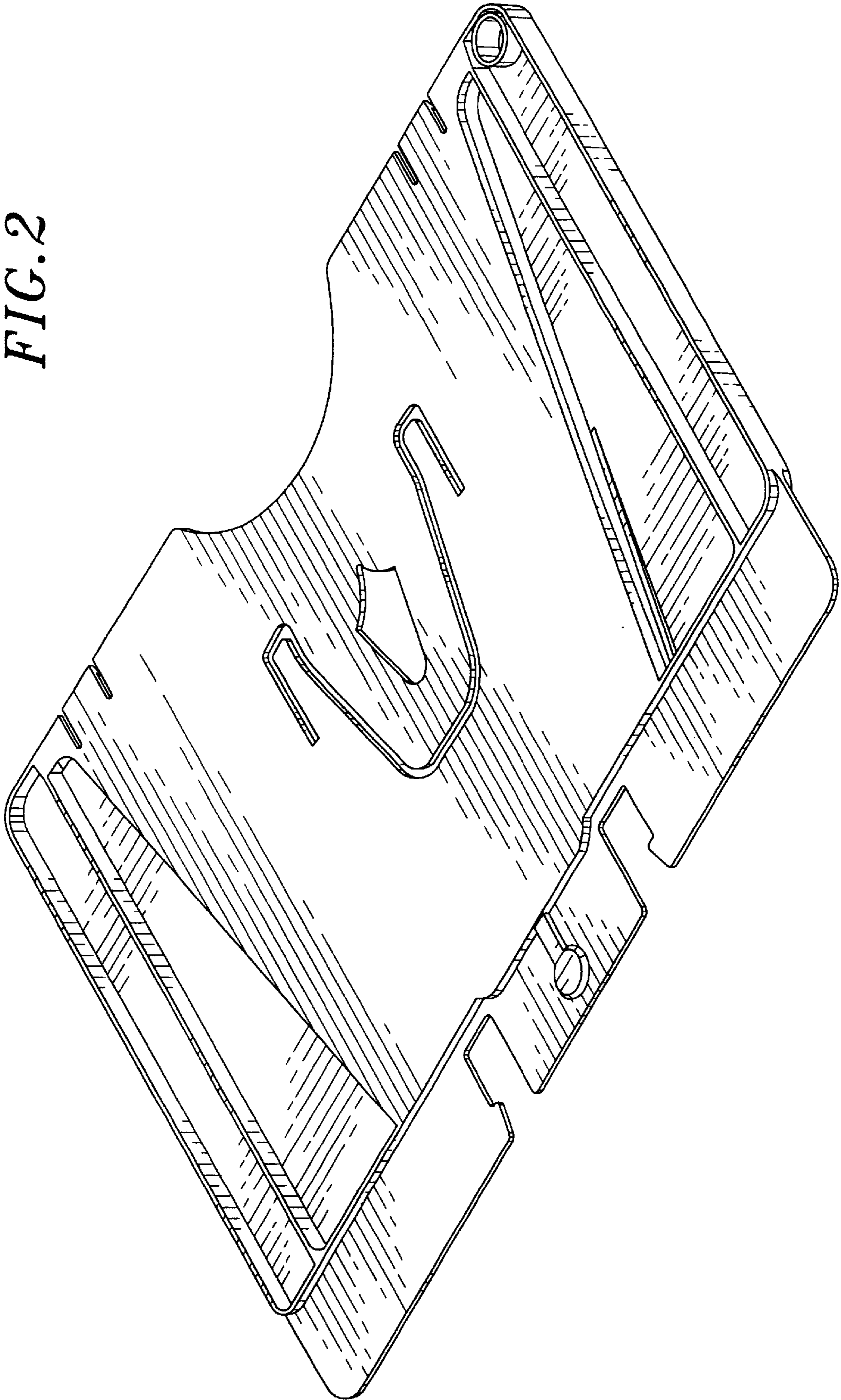


FIG. 3

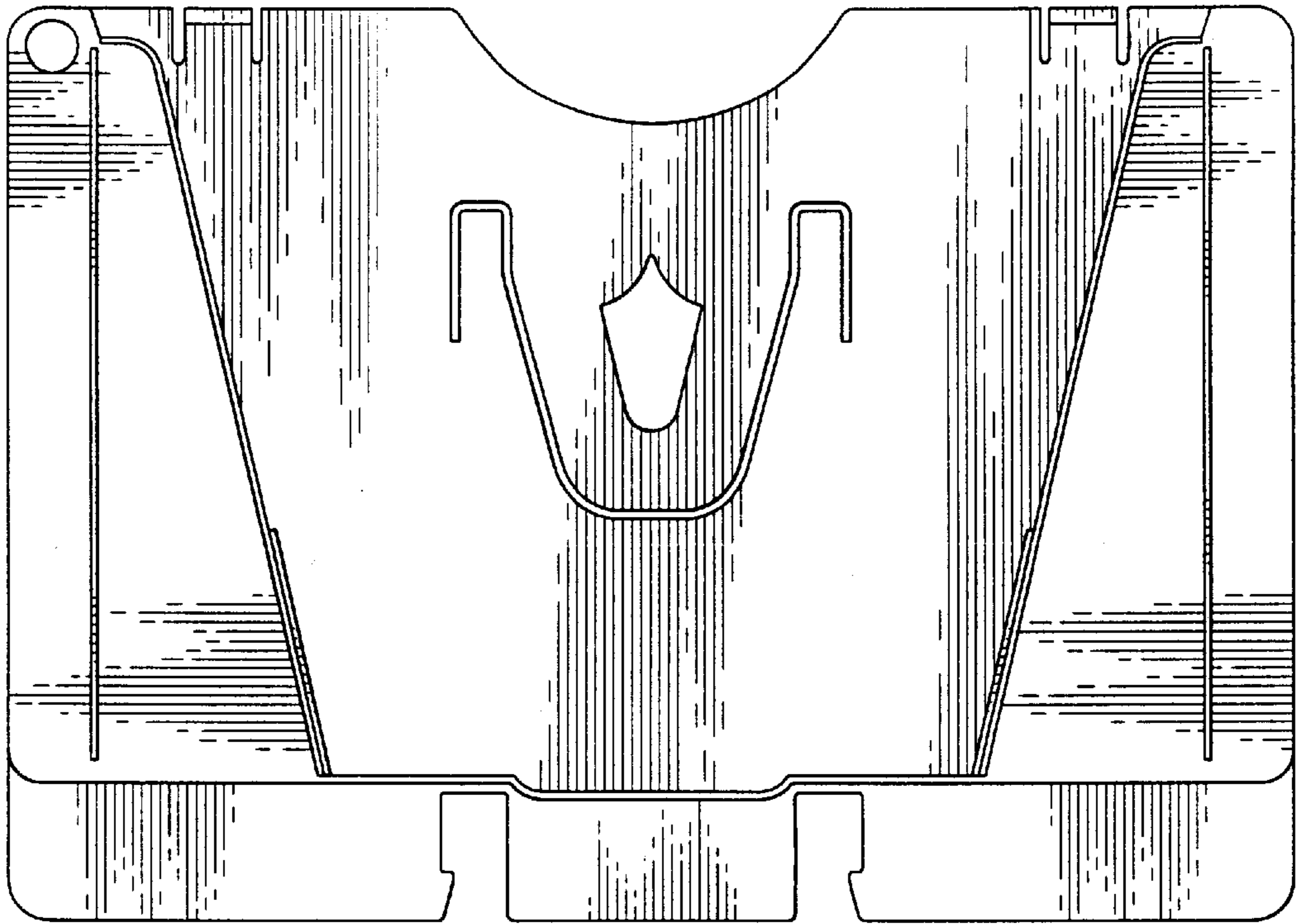


FIG. 4

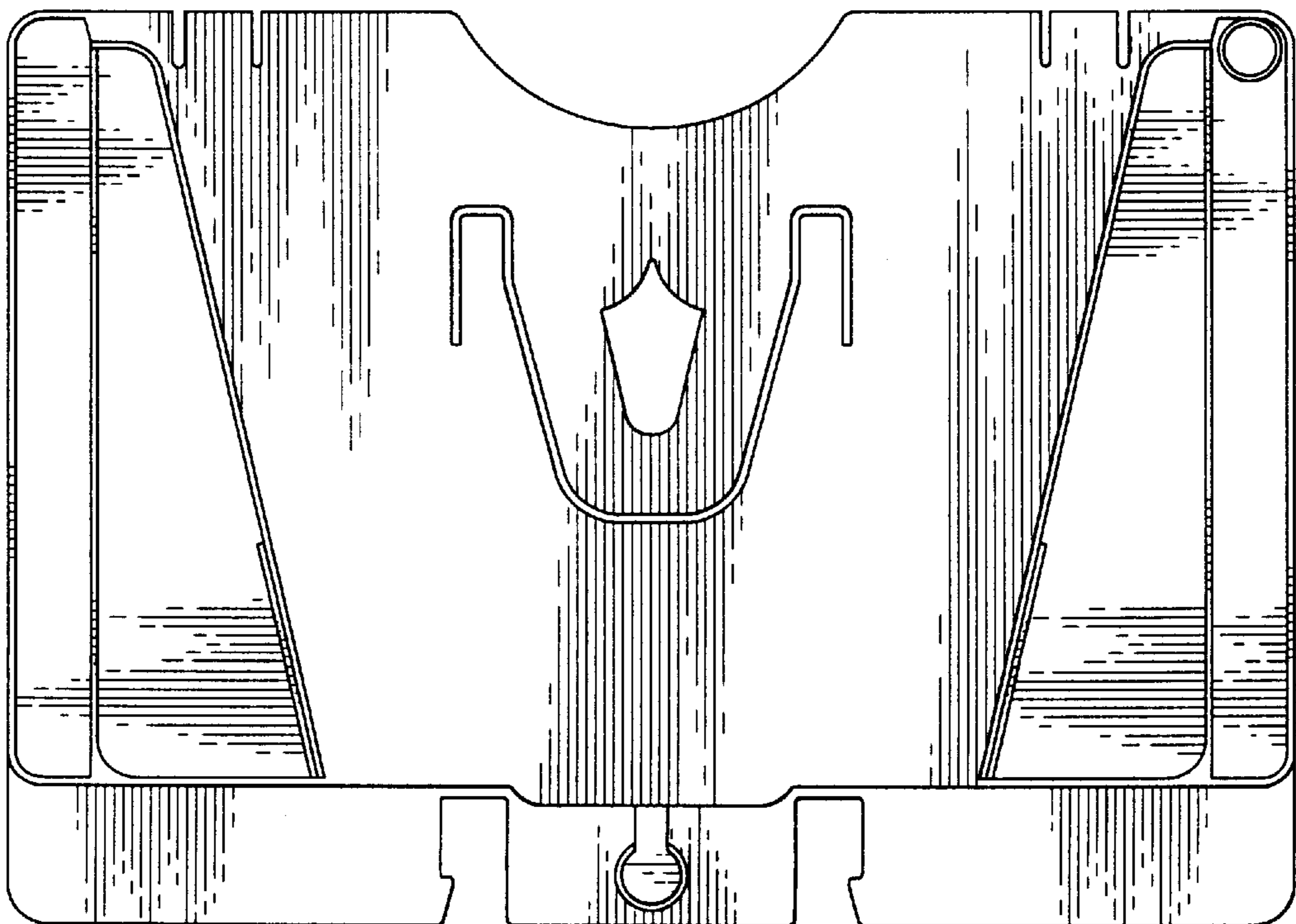


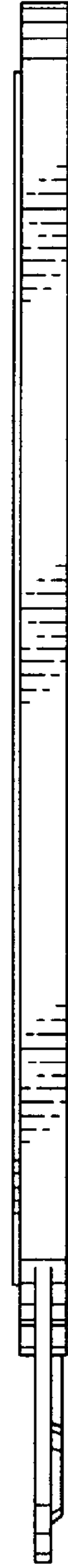
FIG. 5



FIG. 6



FIG. 7



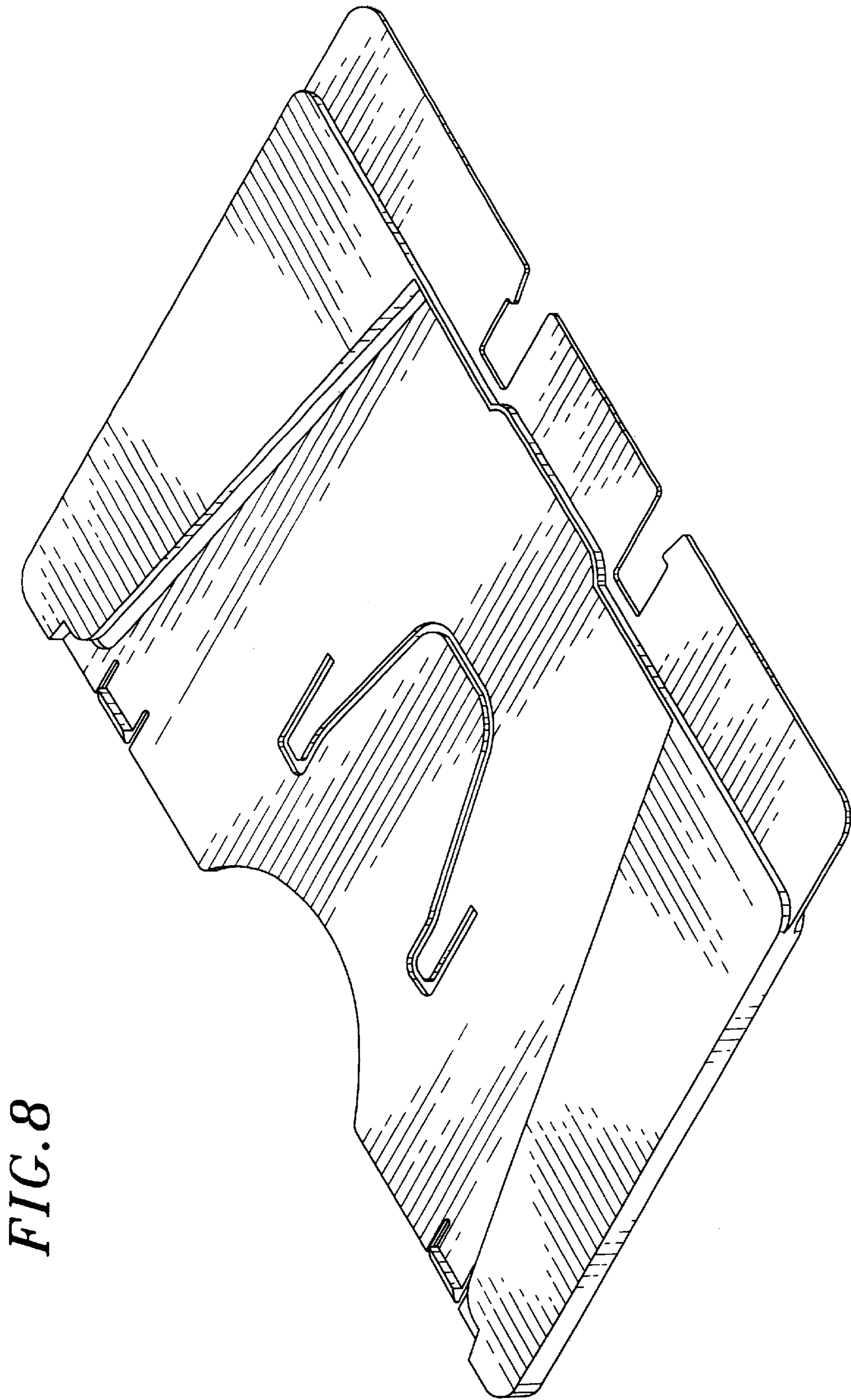


FIG. 8

FIG. 9

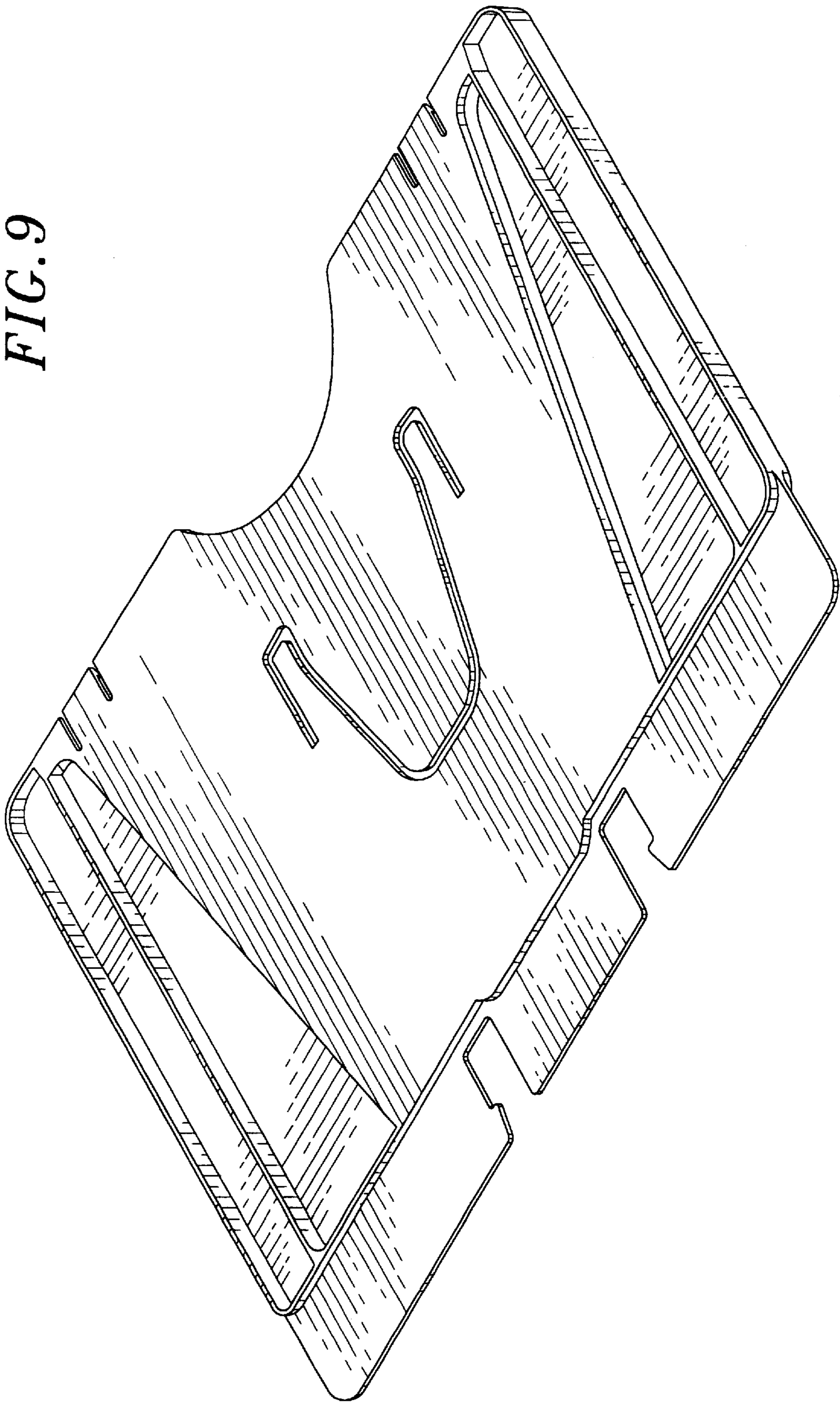


FIG. 10

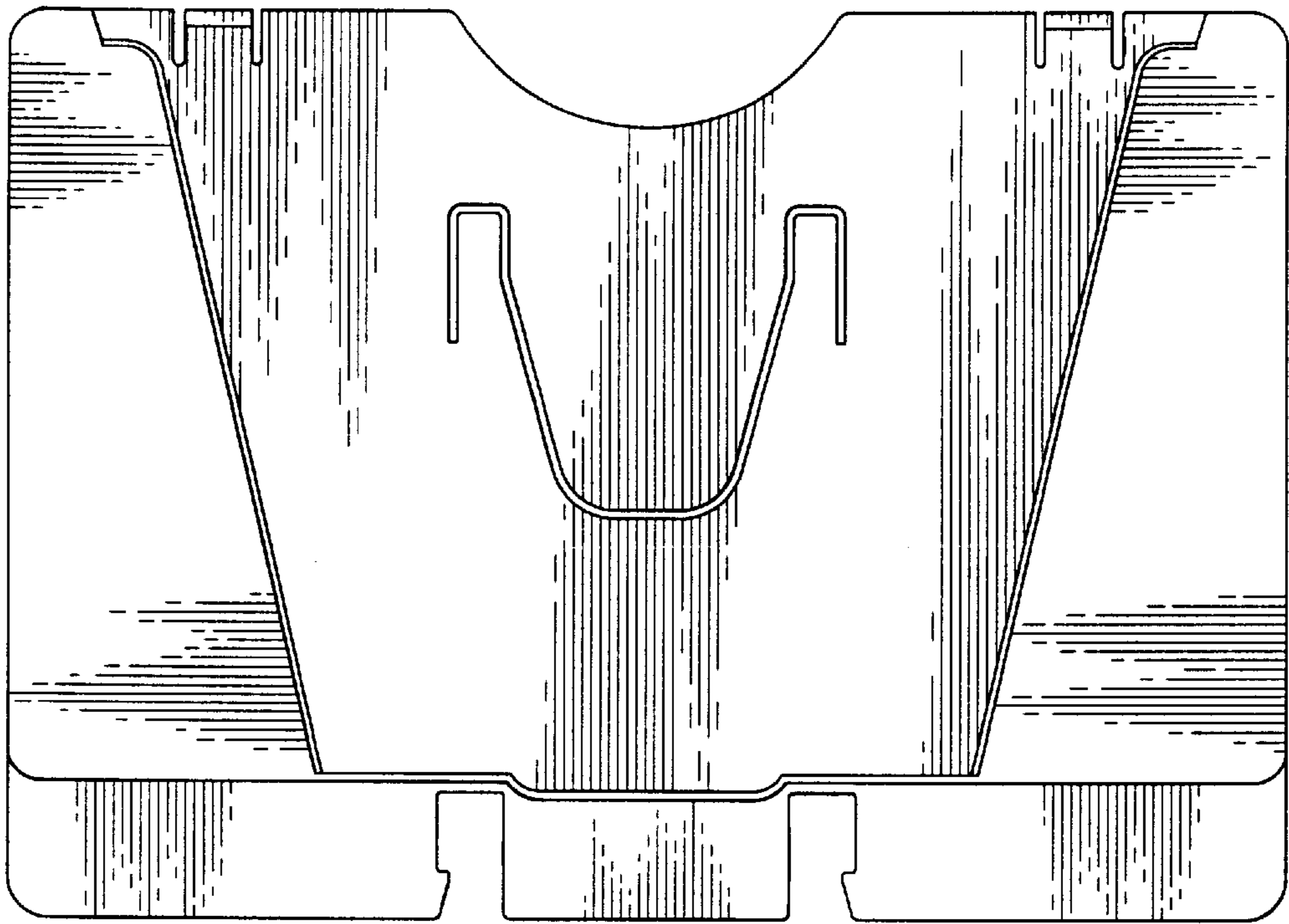


FIG. 11

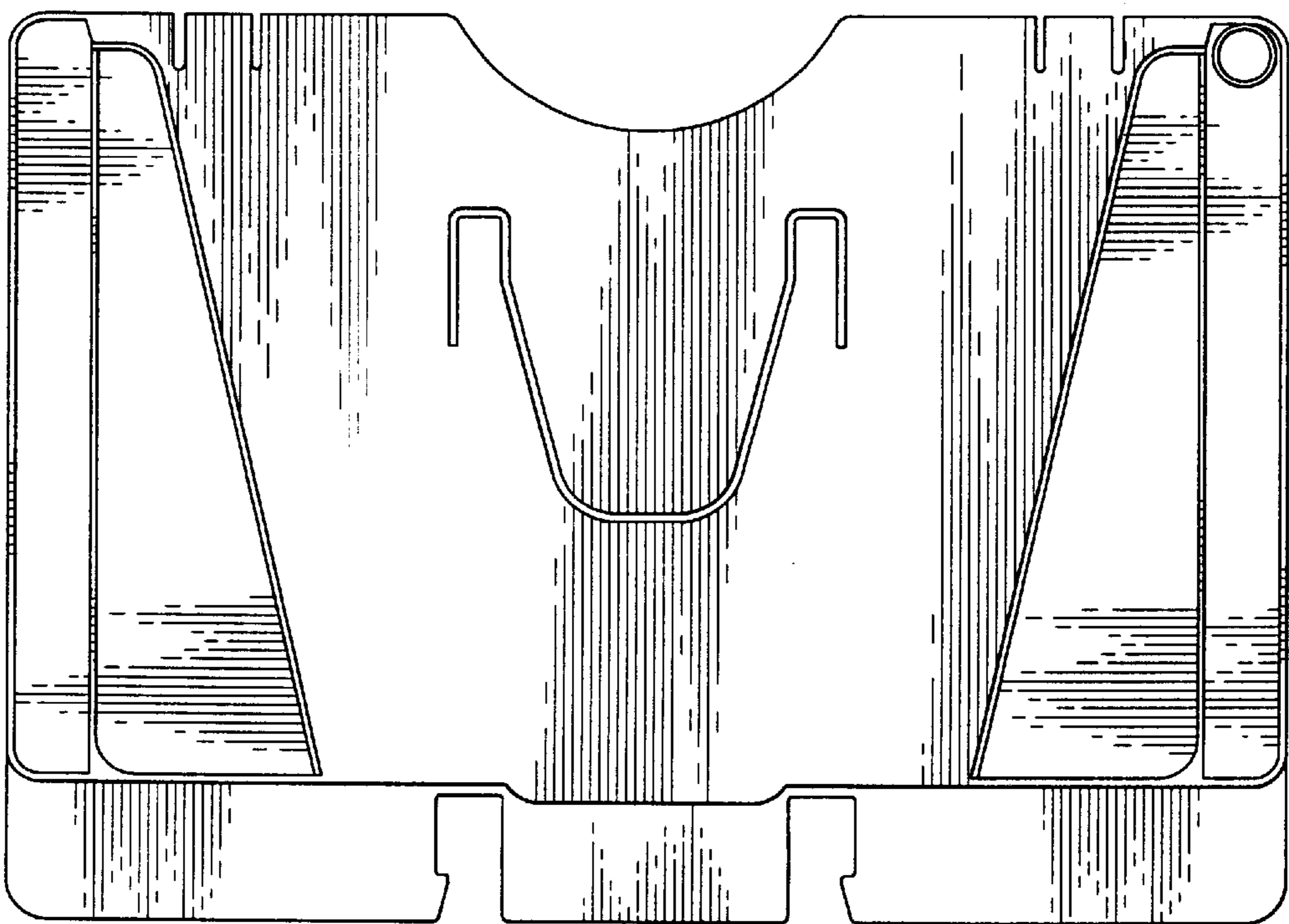


FIG. 12



FIG. 13



FIG. 14

