



US00D447515B1

(12) **United States Design Patent** (10) **Patent No.:** **US D447,515 S**
Faenza, Jr. et al. (45) **Date of Patent:** **** *Sep. 4, 2001**

(54) **CARD WITH AN ORNAMENTAL RECTANGLE**

(75) Inventors: **William J. Faenza, Jr.**, Manassas, VA (US); **Ellen Lasch**, New York, NY (US); **Lisa Webb**, Darien, CT (US); **Judy Vigiletti**, Croton-on-Hudson, NY (US)

(73) Assignee: **American Express Travel Related Services Company, Inc.**, New York, NY (US)

(*) Notice: This patent is subject to a terminal disclaimer.

(**) Term: **14 Years**

(21) Appl. No.: **29/119,144**

(22) Filed: **Feb. 24, 2000**

(51) **LOC (7) Cl.** **19-08**

(52) **U.S. Cl.** **D19/10; D19/9**

(58) **Field of Search** D14/435, 436, D14/437, 438, 479; D19/9, 10; 235/380-382.5, 441-443, 449, 454, 457, 469, 487-494; 283/72, 74, 75, 77, 78, 82-93, 107-114, 904

(56) **References Cited**

U.S. PATENT DOCUMENTS

D. 61,466	9/1922	Foltz .	
D. 270,546	9/1983	Malmberg .	
D. 280,214	8/1985	Opel .	
D. 290,136	* 6/1987	Ball et al.	D19/9
D. 310,386	9/1990	Michels et al. .	
D. 358,419	* 5/1995	Runyan	D19/10
D. 384,971	10/1997	Kawan .	
D. 406,861	* 3/1999	Leedy, Jr.	D19/10
D. 408,054	4/1999	Leedy, Jr. .	
3,069,793	* 12/1962	Francescon	283/110 X
3,838,252	9/1974	Hynes et al. .	
3,894,756	7/1975	Ward .	
4,058,839	11/1977	Darjany .	

4,223,918	* 9/1980	Smoczynski	283/83
4,547,002	10/1985	Colgate, Jr. .	
4,563,024	1/1986	Blyth .	
4,593,936	6/1986	Opel .	
4,597,814	7/1986	Colgate, Jr. .	
4,641,017	2/1987	Lopata .	
4,684,795	8/1987	Colgate, Jr. .	
4,705,299	* 11/1987	Hedgcoth et al.	283/68

(List continued on next page.)

FOREIGN PATENT DOCUMENTS

0 403 134 A3	1/1992	(EP) .
WO 89/03760	5/1989	(WO) .

OTHER PUBLICATIONS

GAP credit card, date unknown.
North American Mortgage Company Card, date unknown.

Primary Examiner—Martie K. Holtje
(74) *Attorney, Agent, or Firm*—Snell & Wilmer L.L.P.

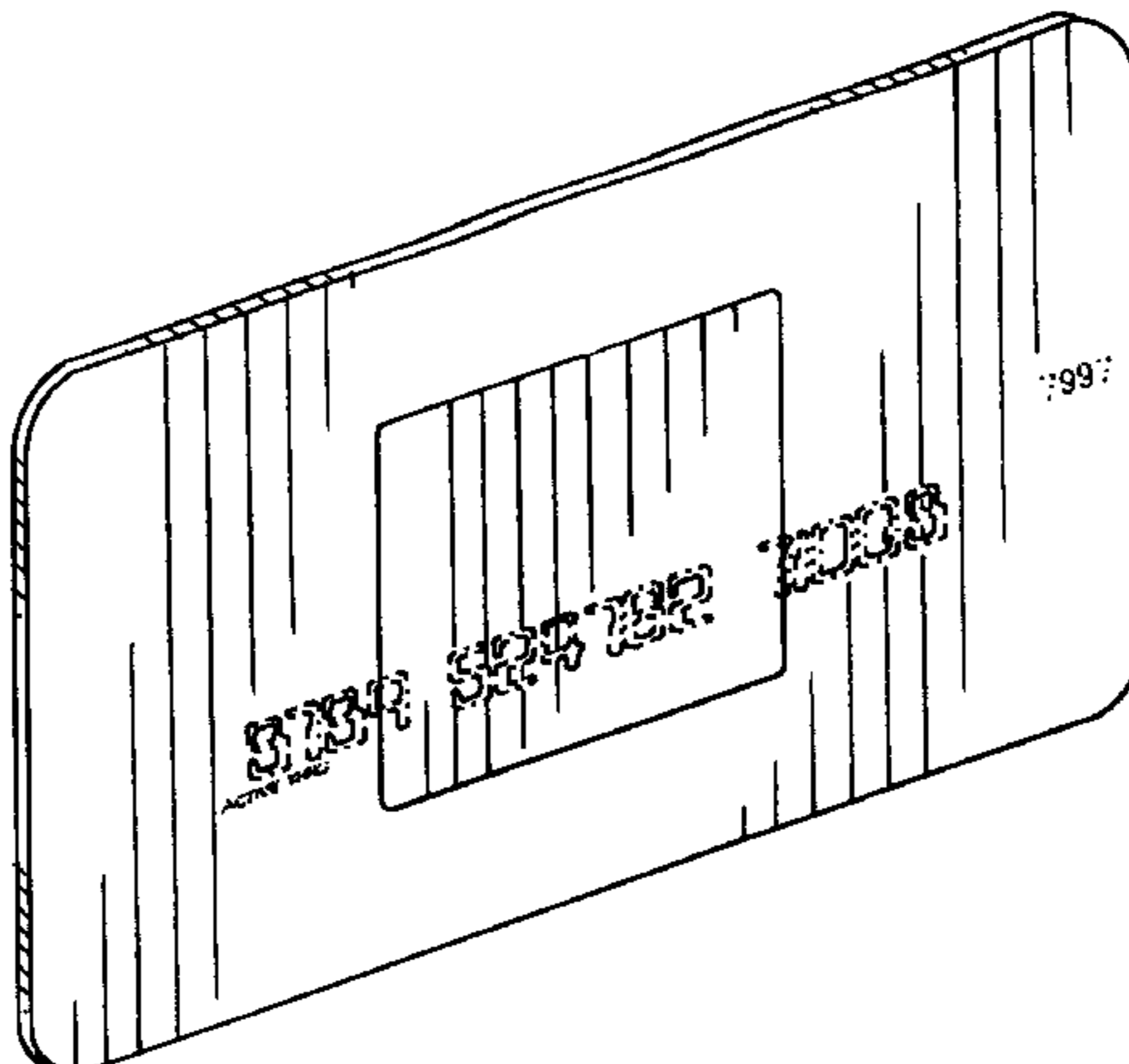
(57) **CLAIM**

The ornamental design for a card with an ornamental rectangle, as shown and described.

DESCRIPTION

This application claims priority to, and the benefit of, U.S. Design Patent application No. 29/110,201, filed Sep. 1, 1999 and entitled card with an ornamental rectangle. FIG. 1 is a perspective view of a card with an ornamental rectangle showing our new design; FIG. 2 is a front view of the card with an ornamental rectangle of FIG. 1; FIG. 3 is a rear view of the card with an ornamental rectangle of FIG. 1; FIG. 4 is a right side elevational view thereof; FIG. 5 is a left side elevational view thereof; FIG. 6 is a front elevational view thereof; and, FIG. 7 is a rear elevational view thereof. The numerals and indicia depicted by means of broken lines in the drawing are shown for illustrative purposes only and form no part of the claimed design.

1 Claim, 1 Drawing Sheet



US D447,515 S

Page 2

U.S. PATENT DOCUMENTS

4,711,690	12/1987	Haghiri-Tehrani .	5,516,153	5/1996	Kaule .
4,779,898	10/1988	Berning et al. .	5,608,203	3/1997	Finkelstein et al. .
4,852,911	8/1989	Hoppe .	5,613,712 *	3/1997	Jeffers 283/78
4,889,366	12/1989	Fabbiani .	5,697,649	12/1997	Dames et al. .
5,106,125	4/1992	Antes .	5,700,037	12/1997	Keller .
5,142,383	8/1992	Mallik .	5,720,500	2/1998	Okazaki et al. .
5,246,375 *	9/1993	Goede 283/904 X	5,789,733	8/1998	Jachimowicz et al. .
5,251,937	10/1993	Ojster .	5,808,758	9/1998	Solmsdorf .
5,351,142	9/1994	Cueli .	5,857,709	1/1999	Chock .
5,355,411	10/1994	MacDonald .	5,900,954	5/1999	Katz et al. .
5,383,687	1/1995	Suess et al. .	5,944,356 *	8/1999	Bergmann et al. 283/86

* cited by examiner

FIG. 1

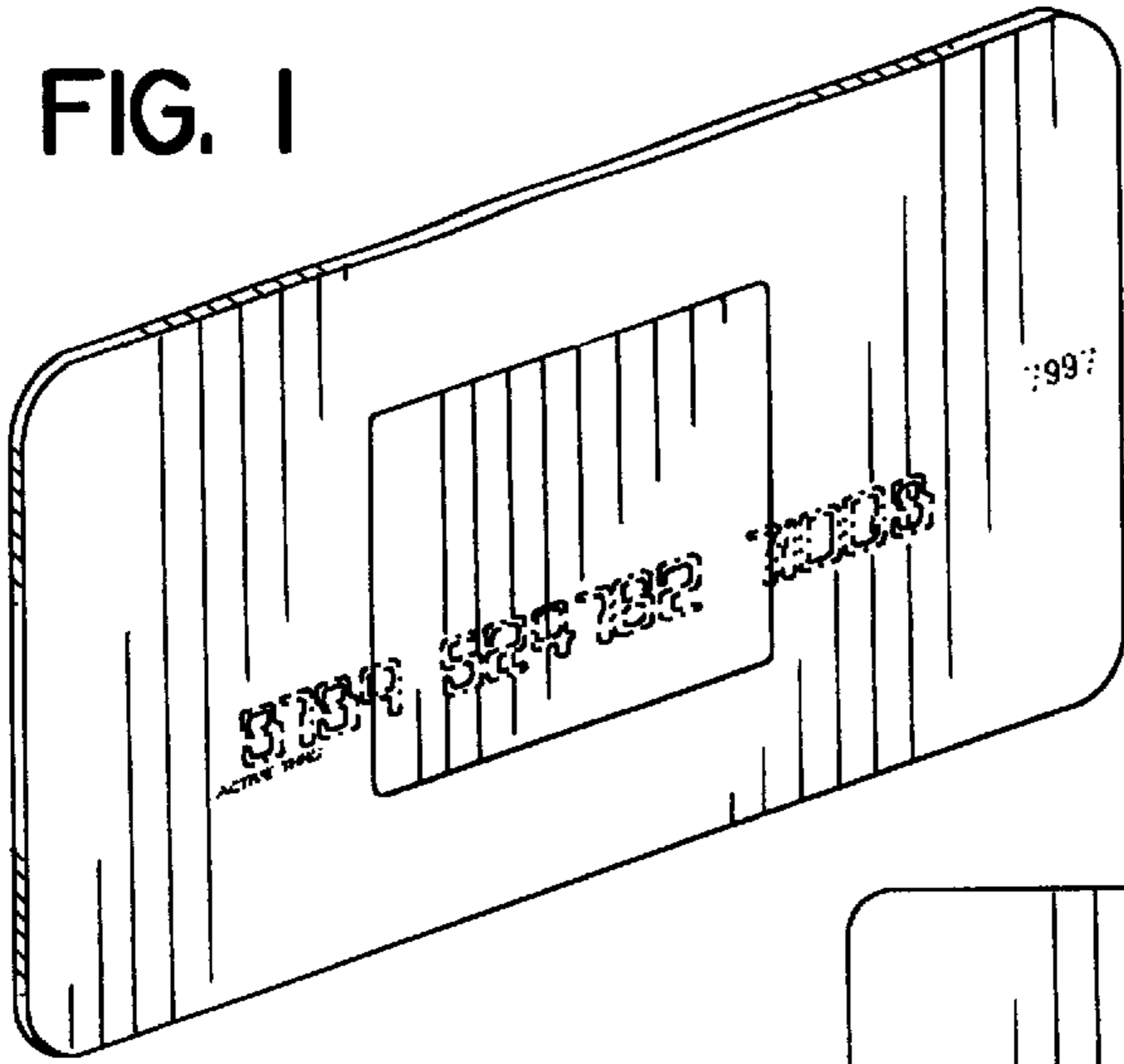


FIG. 2

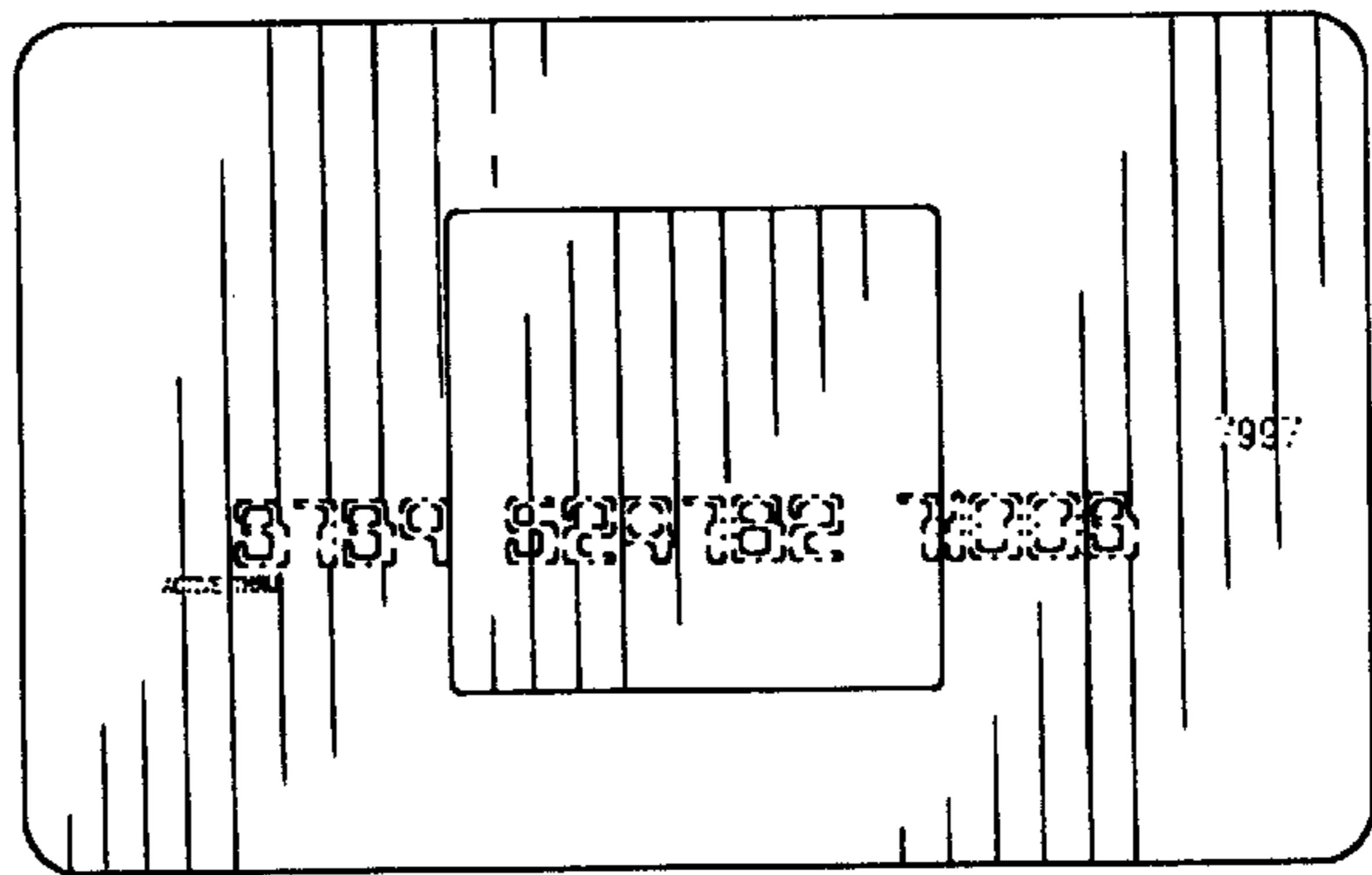


FIG. 3

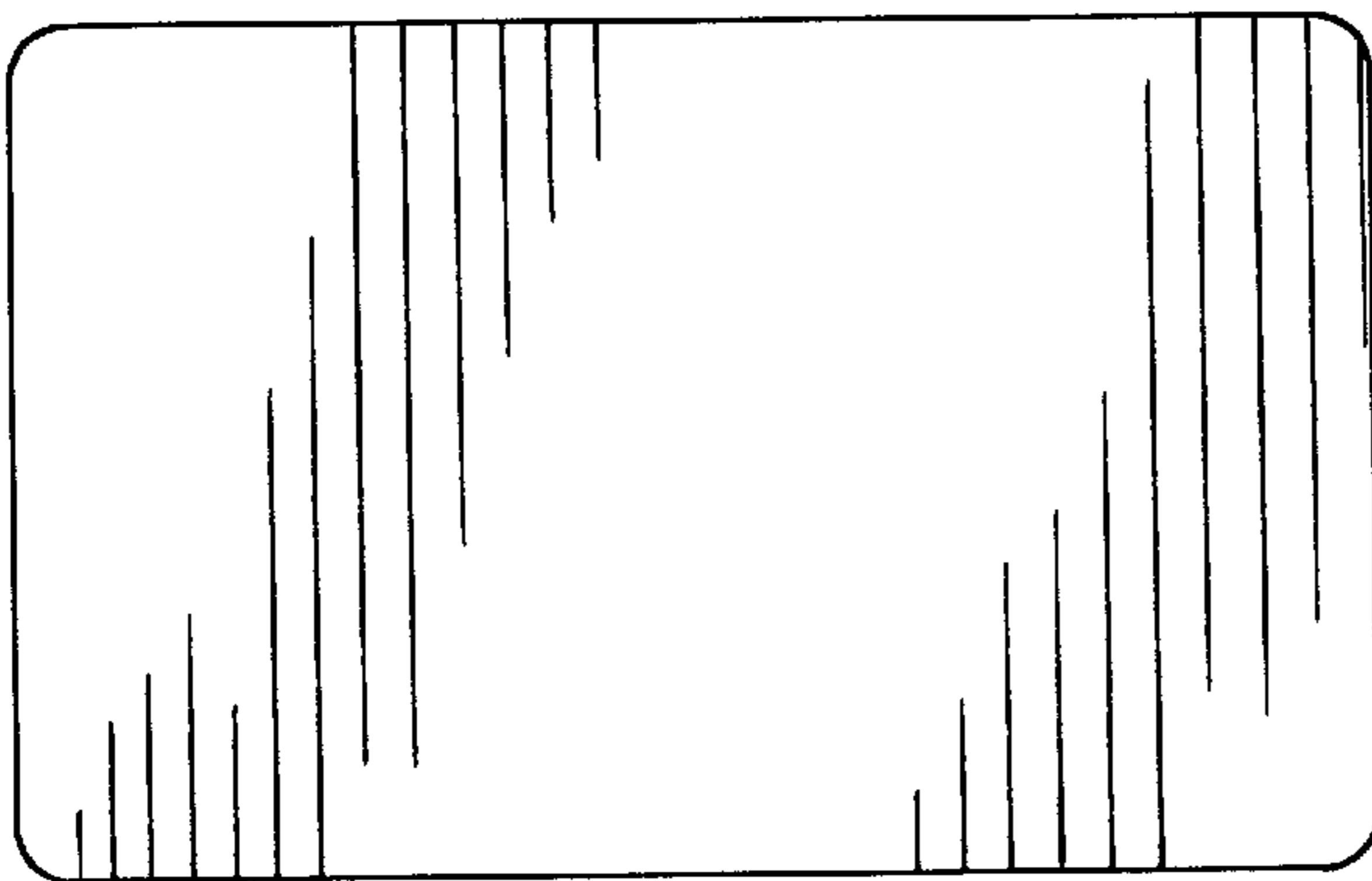


FIG. 4

FIG. 5

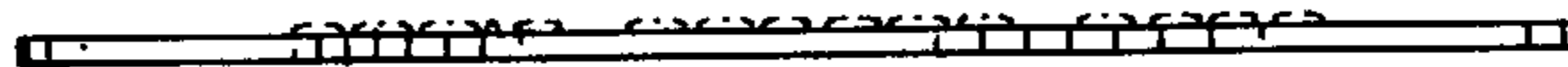


FIG. 6

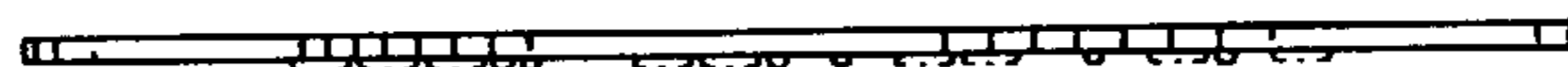


FIG. 7