



US00D447514B1

(12) **United States Design Patent**
Takanaka et al.

(10) **Patent No.:** **US D447,514 S**

(45) **Date of Patent:** **** Sep. 4, 2001**

(54) **PRINTING HEAD FOR COMPUTER PRINTER**

(75) Inventors: **Yasuyuki Takanaka**, Yokohama;
Yuichiro Akama, Kawasaki; **Yoshiyuki Toge**, Sagamihara, all of (JP)

(73) Assignee: **Canon Kabushiki Kaisha**, Tokyo (JP)

(**) Term: **14 Years**

(21) Appl. No.: **29/127,842**

(22) Filed: **Aug. 15, 2000**

(30) **Foreign Application Priority Data**

Feb. 18, 2000 (JP) 12-008188

(51) **LOC (7) Cl.** **18-02**

(52) **U.S. Cl.** **D18/56**

(58) **Field of Search** D18/56; 347/86,
347/87

(56) **References Cited**

U.S. PATENT DOCUMENTS

- D. 371,804 * 7/1996 Kotaki et al. D18/56
- D. 382,013 * 8/1997 Tashiro et al. D18/56
- D. 382,014 * 8/1997 Tashiro et al. D18/56
- D. 392,672 * 3/1998 Inoue et al. D18/56

- D. 438,242 * 2/2001 Chiba et al. D18/56
- D. 438,243 * 2/2001 Chiba et al. D18/56
- D. 438,561 * 3/2001 Chiba et al. D18/56
- D. 438,898 * 3/2001 Chiba et al. D18/56
- 5,392,063 * 2/1995 Rhoads 347/86
- 6,050,667 * 4/2000 Yamada 347/86
- 6,132,037 * 10/2000 Bartolome et al. 347/87
- 6,196,671 * 3/2001 Breemes, Sr. et al. 347/86

* cited by examiner

Primary Examiner—Cathy Anne MacCormac

(74) *Attorney, Agent, or Firm*—Fitzpatrick, Cella, Harper & Scinto

(57) **CLAIM**

The ornamental design for a printing head for computer printer, as shown and described.

DESCRIPTION

FIG. 1 is a front view of a printing head for computer printer showing our new design;
FIG. 2 is a rear view thereof;
FIG. 3 is a top plan view thereof;
FIG. 4 is a bottom plan view thereof;
FIG. 5 is a left side view thereof;
FIG. 6 is a right side view thereof; and,
FIG. 7 is a perspective view thereof.

1 Claim, 4 Drawing Sheets

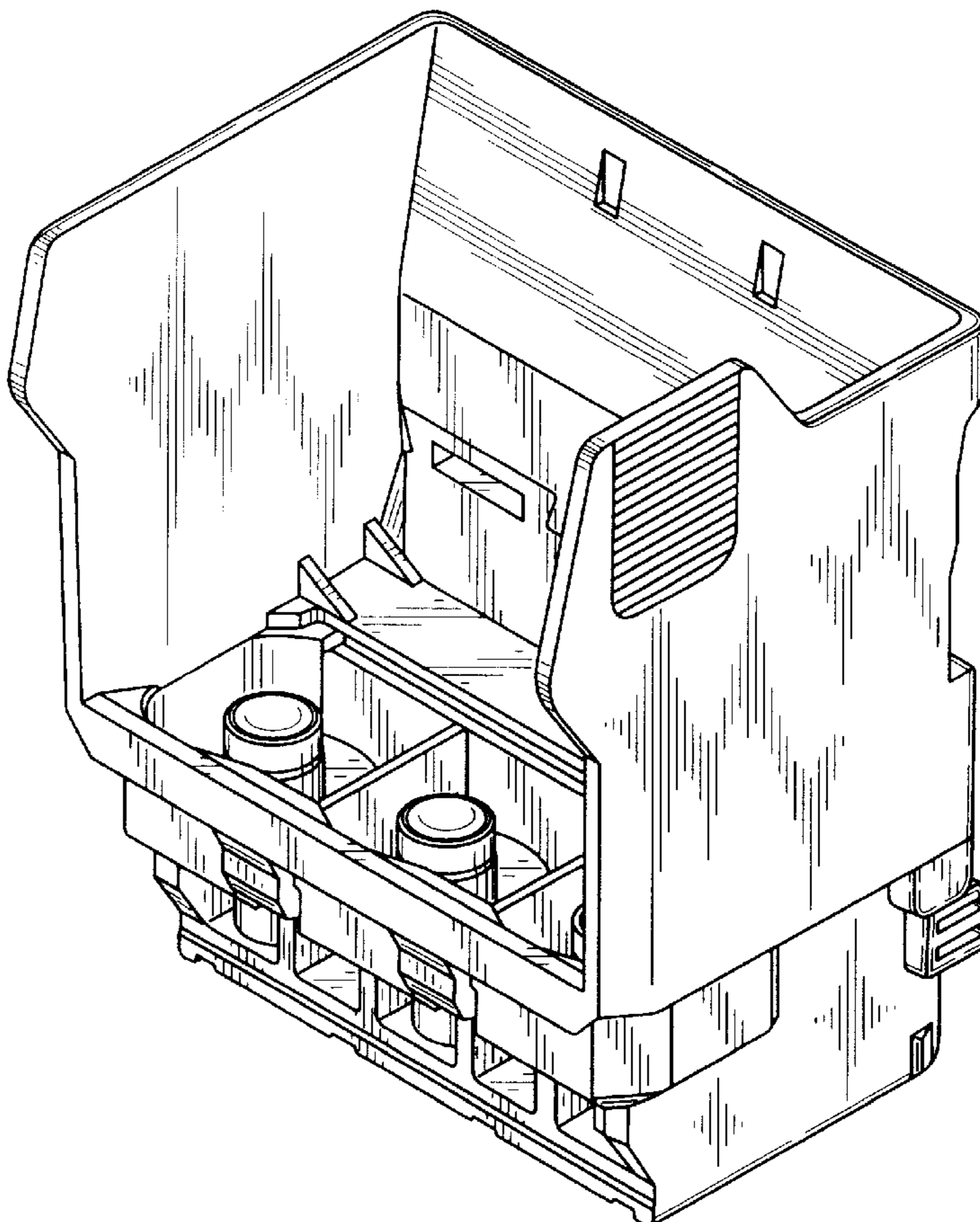


FIG. 2

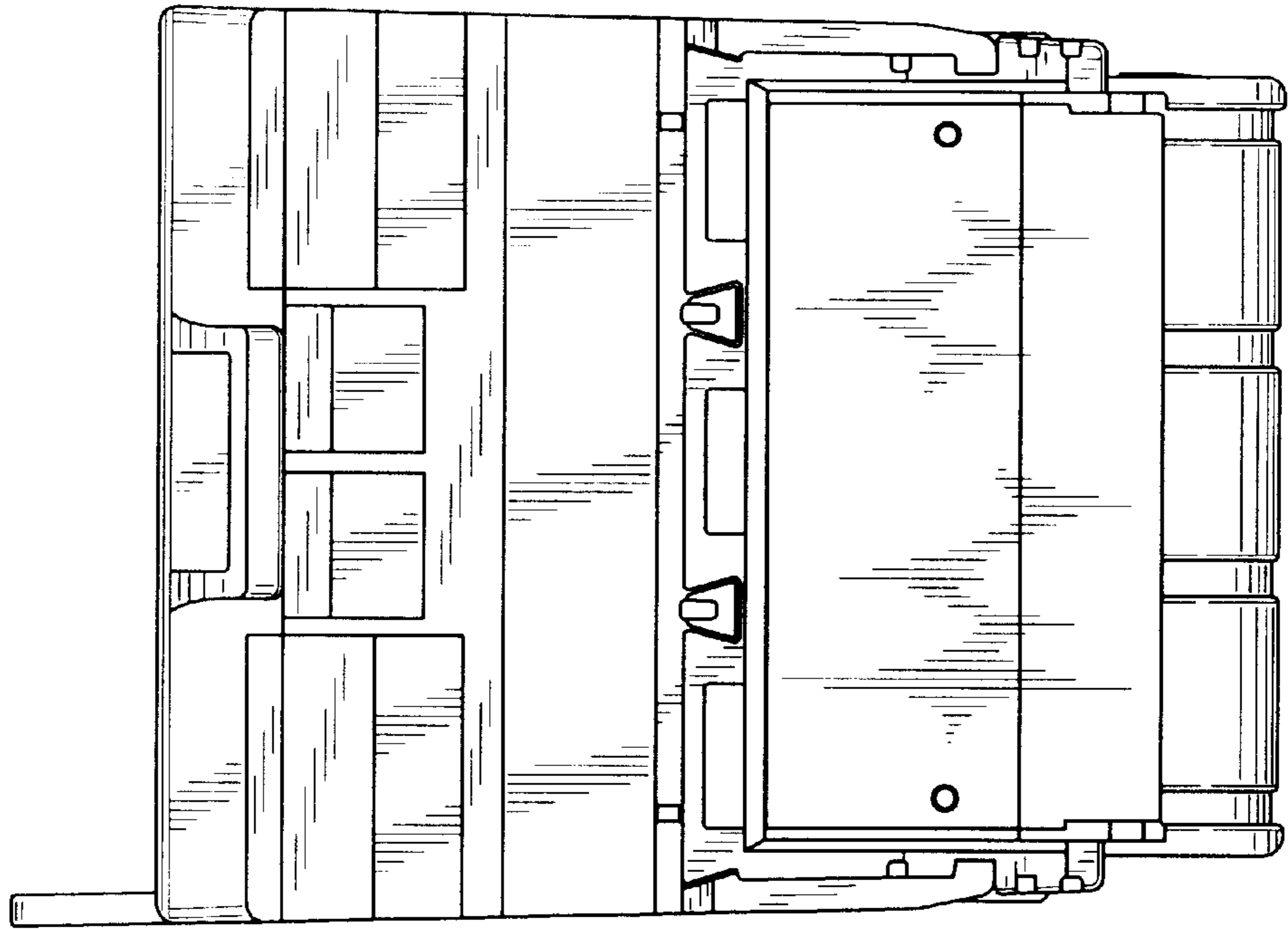


FIG. 1

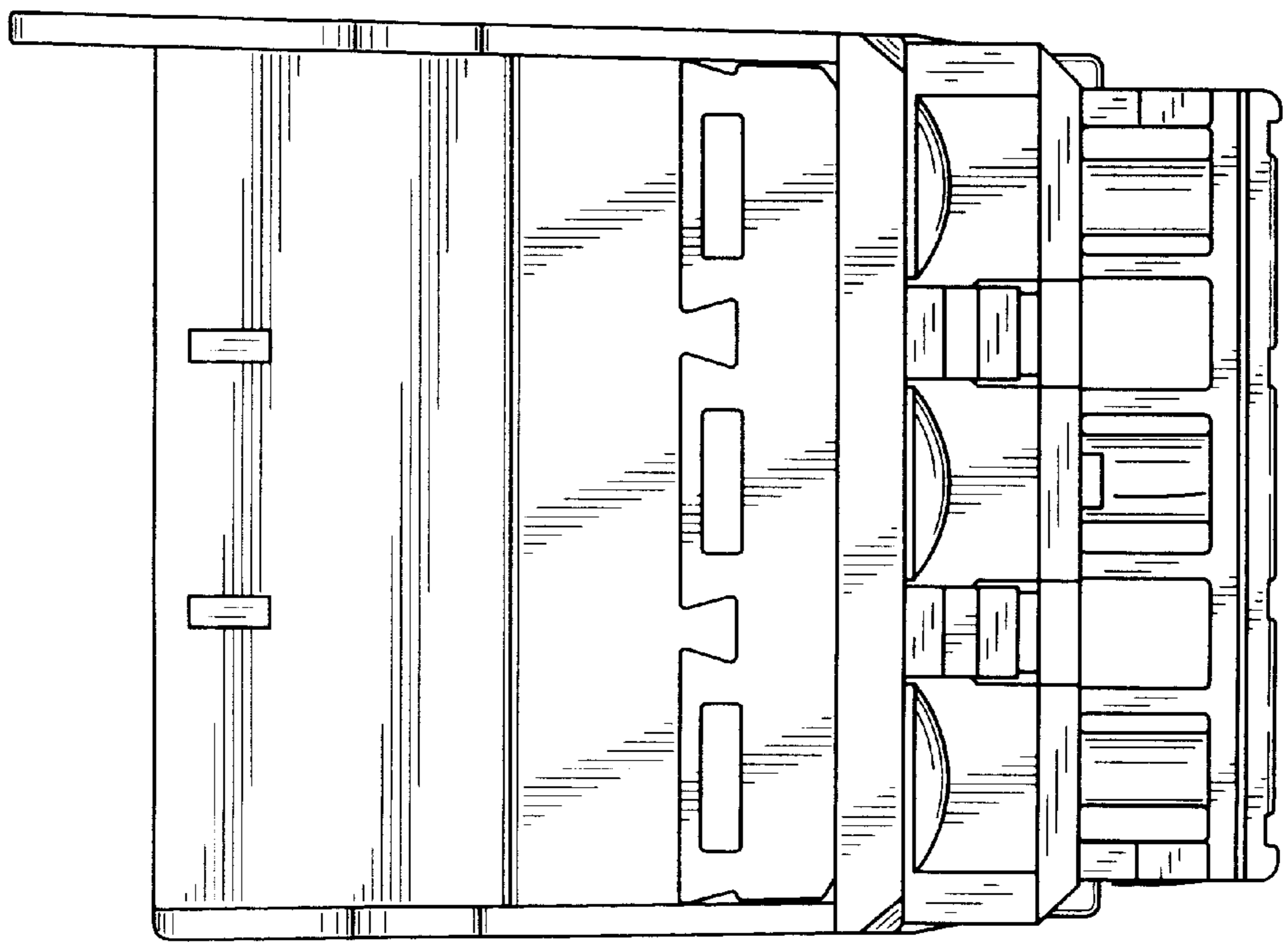


FIG. 3

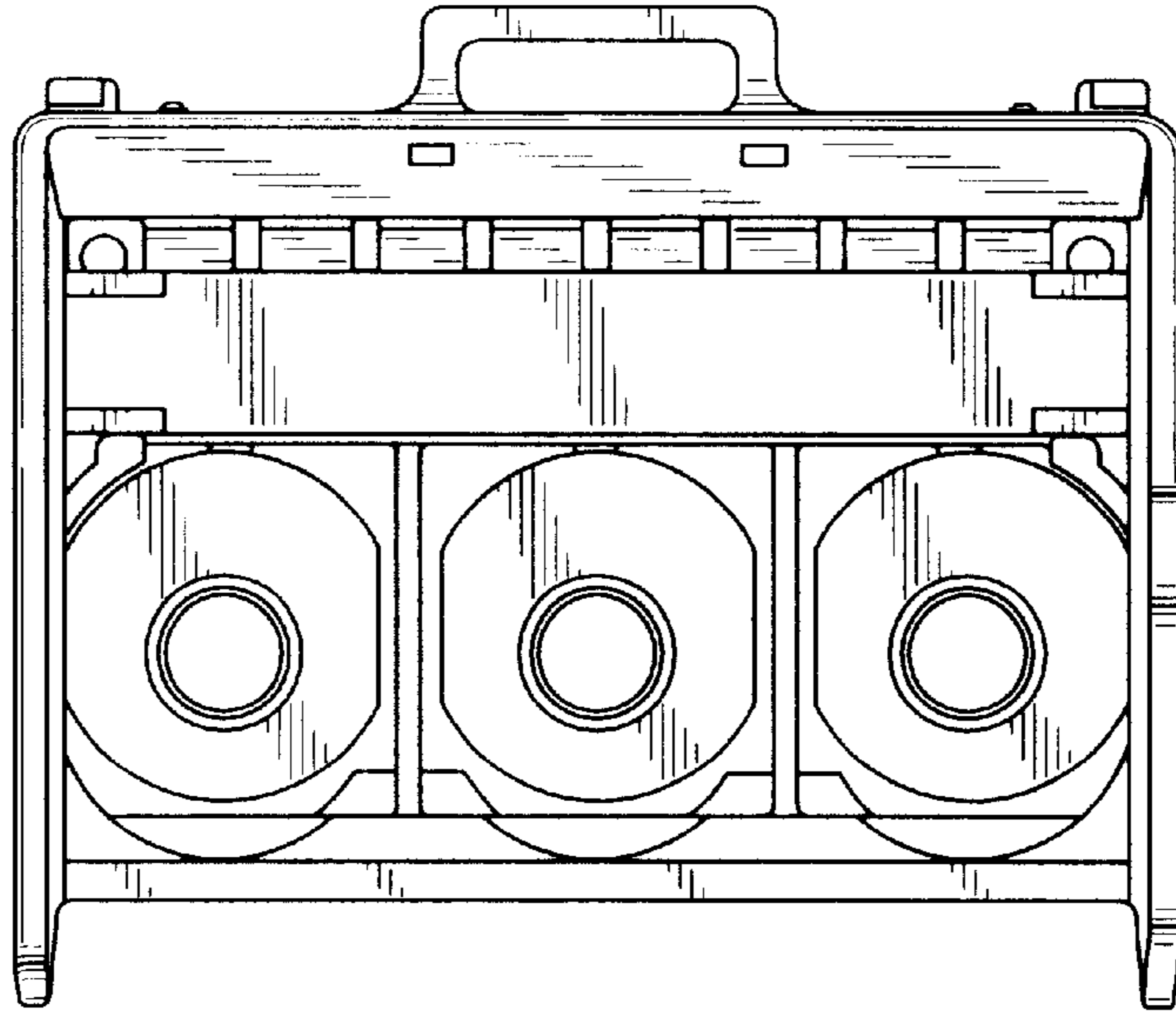


FIG. 4

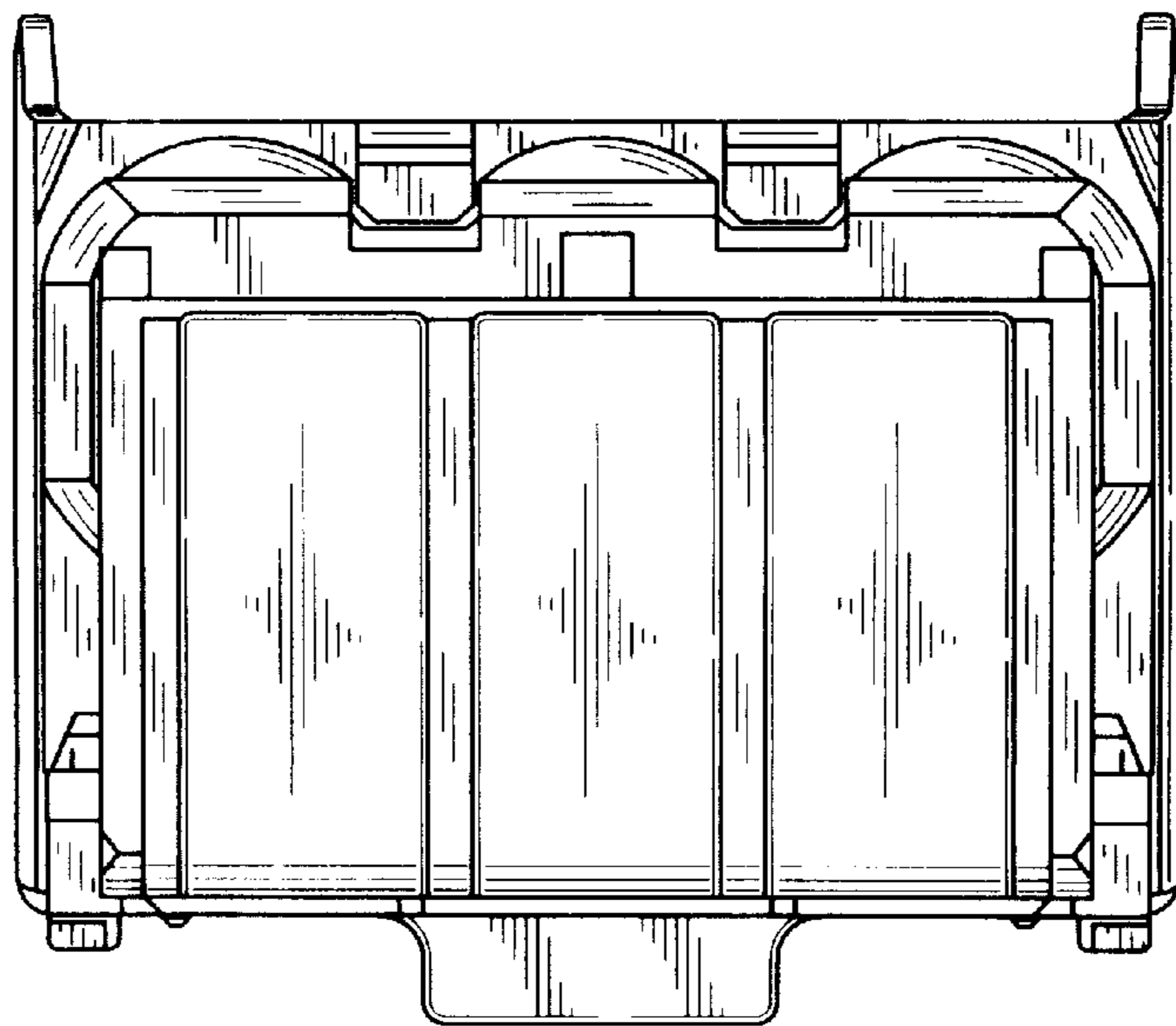


FIG. 6

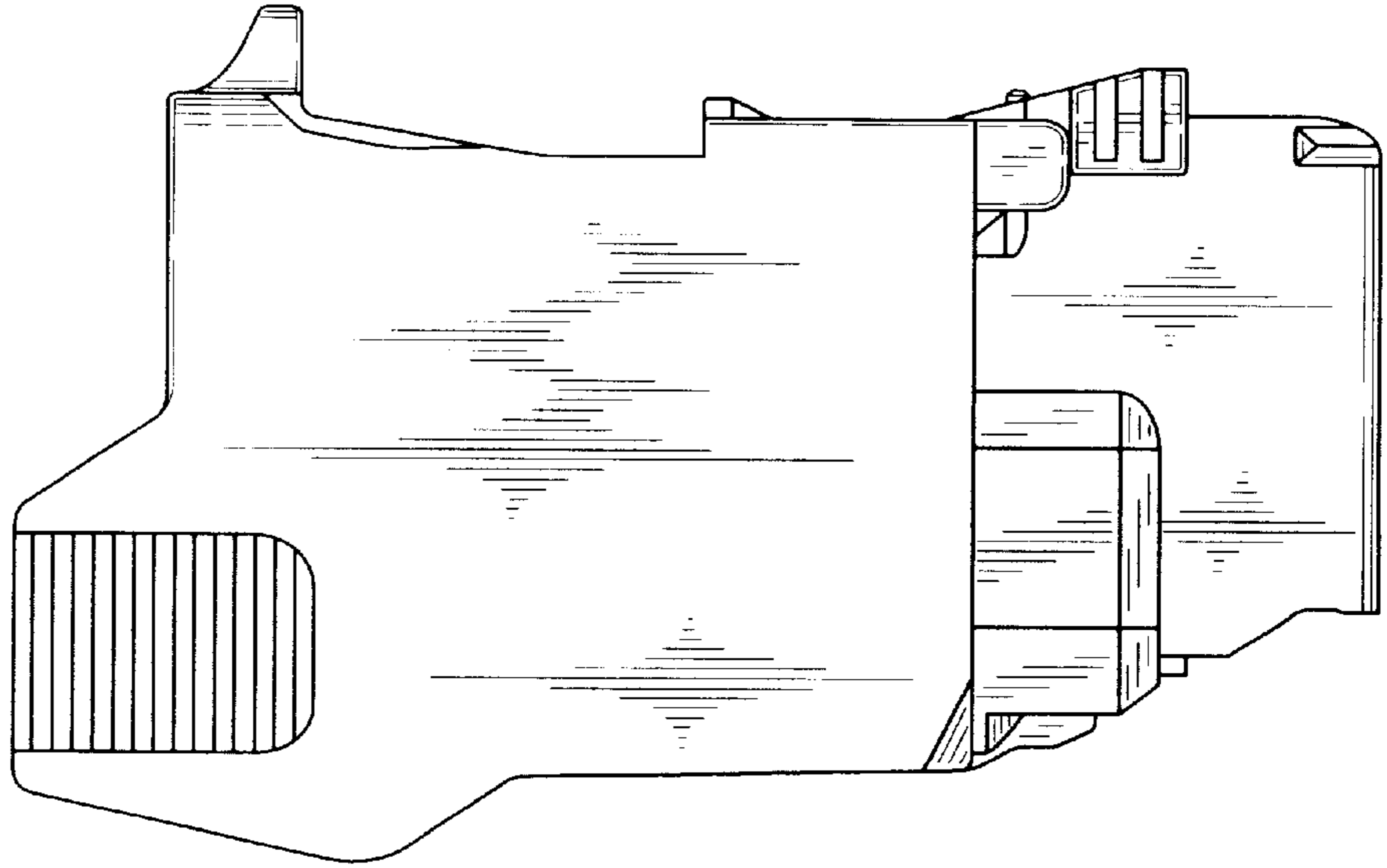


FIG. 5

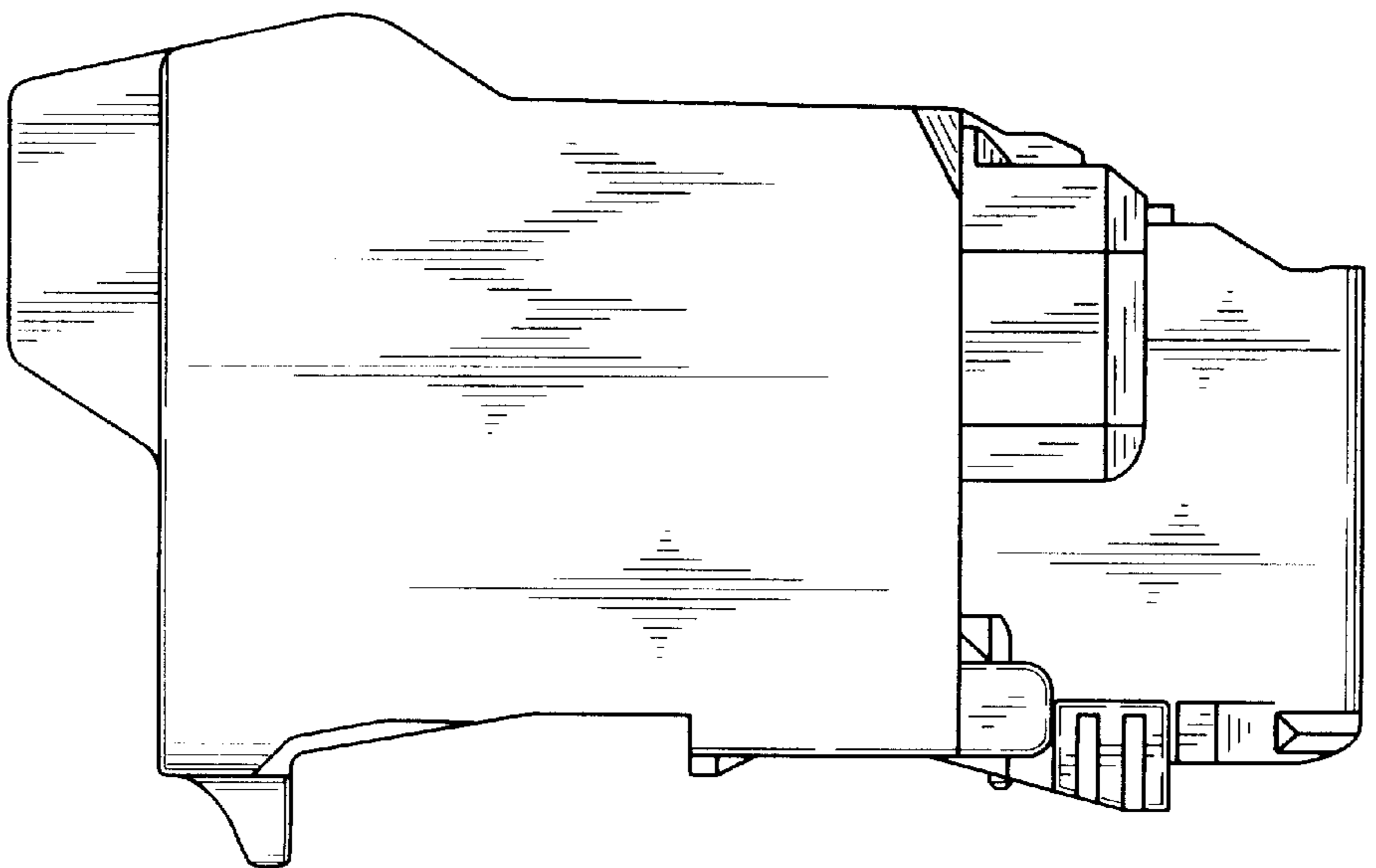


FIG. 7

