



US00D447513B1

(12) **United States Design Patent**  
**Miyazawa et al.**

(10) **Patent No.:** **US D447,513 S**

(45) **Date of Patent:** **\*\* Sep. 4, 2001**

(54) **INK CARTRIDGE FOR PRINTER**

(75) Inventors: **Yoshio Miyazawa; Shuichi Yamaguchi**, both of Suwa (JP)

(73) Assignee: **Seiko Epson Corporation**, Tokyo-to (JP)

(\*\*) Term: **14 Years**

(21) Appl. No.: **29/081,706**

(22) Filed: **Jan. 8, 1998**

(30) **Foreign Application Priority Data**

Jul. 9, 1997 (JP) ..... 9-60987

(51) **LOC (7) Cl.** ..... **18-02**

(52) **U.S. Cl.** ..... **D18/56**

(58) **Field of Search** ..... D18/56; 347/86, 347/88

(56) **References Cited**

**U.S. PATENT DOCUMENTS**

- D. 321,900 \* 11/1991 Kumagai ..... D18/56
- D. 330,387 10/1992 Kawakami .
- D. 331,939 \* 12/1992 Ujita ..... D18/12
- D. 334,403 \* 3/1993 Kawakami ..... D18/56
- D. 349,723 \* 8/1994 Ujita ..... D18/12
- D. 361,591 \* 8/1995 Tokuda et al. .... D18/56
- D. 423,043 \* 4/2000 Ishigami et al. .... D18/56
- 4,551,734 \* 11/1985 Causley et al. .... 347/86
- 4,855,762 \* 8/1989 Suzuki ..... 347/86
- 4,959,667 \* 9/1990 Kaplinsky ..... 347/87
- 5,113,206 \* 5/1992 Fukazawa ..... 347/86
- 5,153,612 \* 10/1992 Dunn et al. .... 347/87

- 5,216,452 \* 6/1993 Suzuki ..... 347/86
- 5,509,140 \* 4/1996 Koitabashi et al. .... 347/86
- 5,541,631 \* 7/1996 Hashimoto ..... 347/86
- 5,587,731 \* 12/1996 Yasunaga et al. .... 347/86
- 5,666,146 \* 9/1997 Mochizuki et al. .... 347/86
- 5,805,187 \* 9/1998 Sasaki ..... 347/86
- 5,821,964 \* 10/1998 Bidwell ..... 347/86
- 5,889,543 \* 3/1999 Miyazawa et al. .... 347/86

**FOREIGN PATENT DOCUMENTS**

- 828575 2/1992 (JP) .
- 828707 2/1992 (JP) .
- 887571 1/1994 (JP) .
- 406015835 \* 1/1994 (JP) ..... D18/56

\* cited by examiner

*Primary Examiner*—Cathy Anne MacCormac

(74) *Attorney, Agent, or Firm*—Stroock & Stroock & Lavan LLP

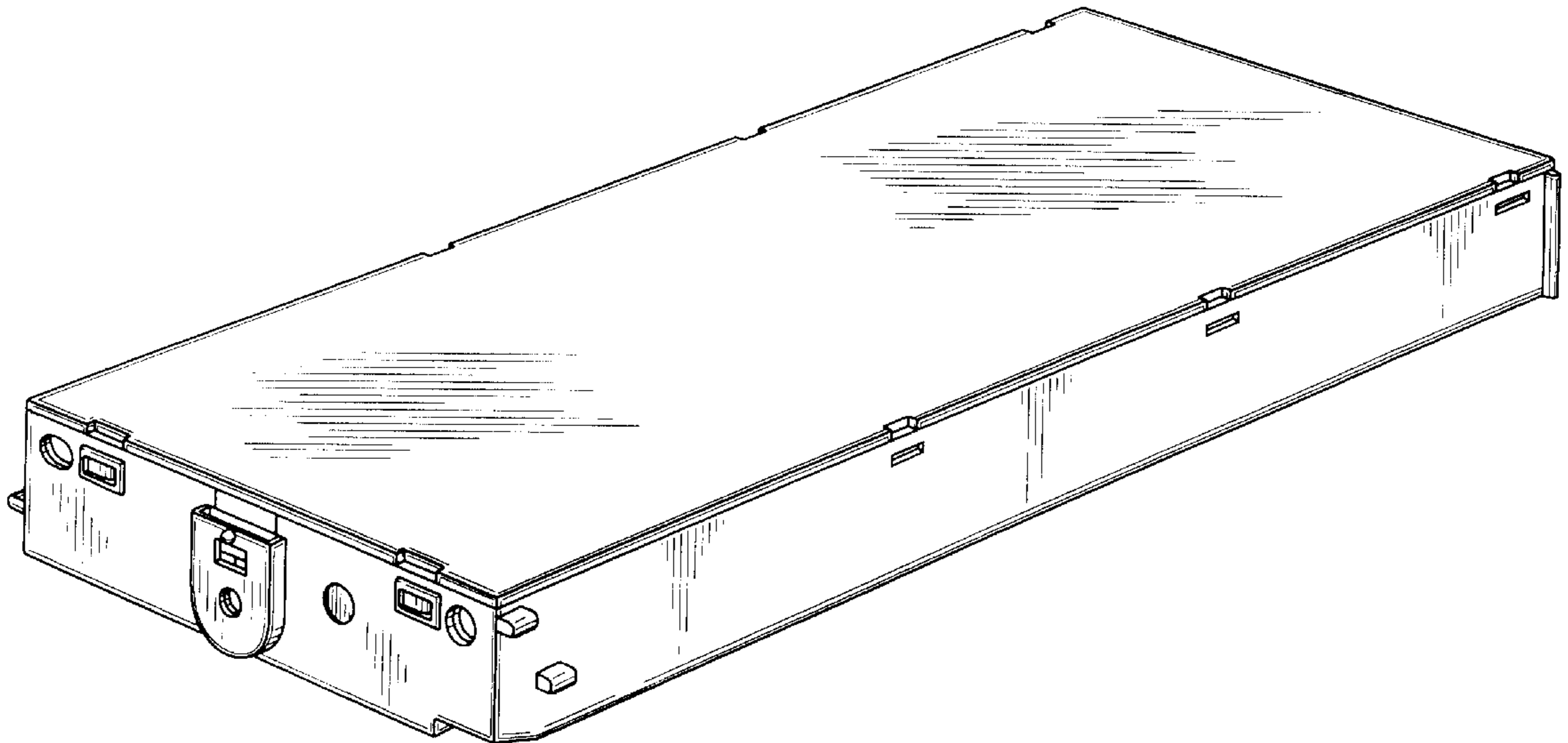
(57) **CLAIM**

The ornamental design for an ink cartridge for printer, as shown and described.

**DESCRIPTION**

FIG. 1 is a perspective view of the top, front and right side of an ink cartridge for printer showing our new design; FIG. 2 is a front elevational view thereof; FIG. 3 is a rear elevational view thereof; FIG. 4 is a top plan view thereof; FIG. 5 is a right side elevational view thereof; FIG. 6 is a left side elevational view thereof; and, FIG. 7 is a bottom plan view thereof.

**1 Claim, 4 Drawing Sheets**



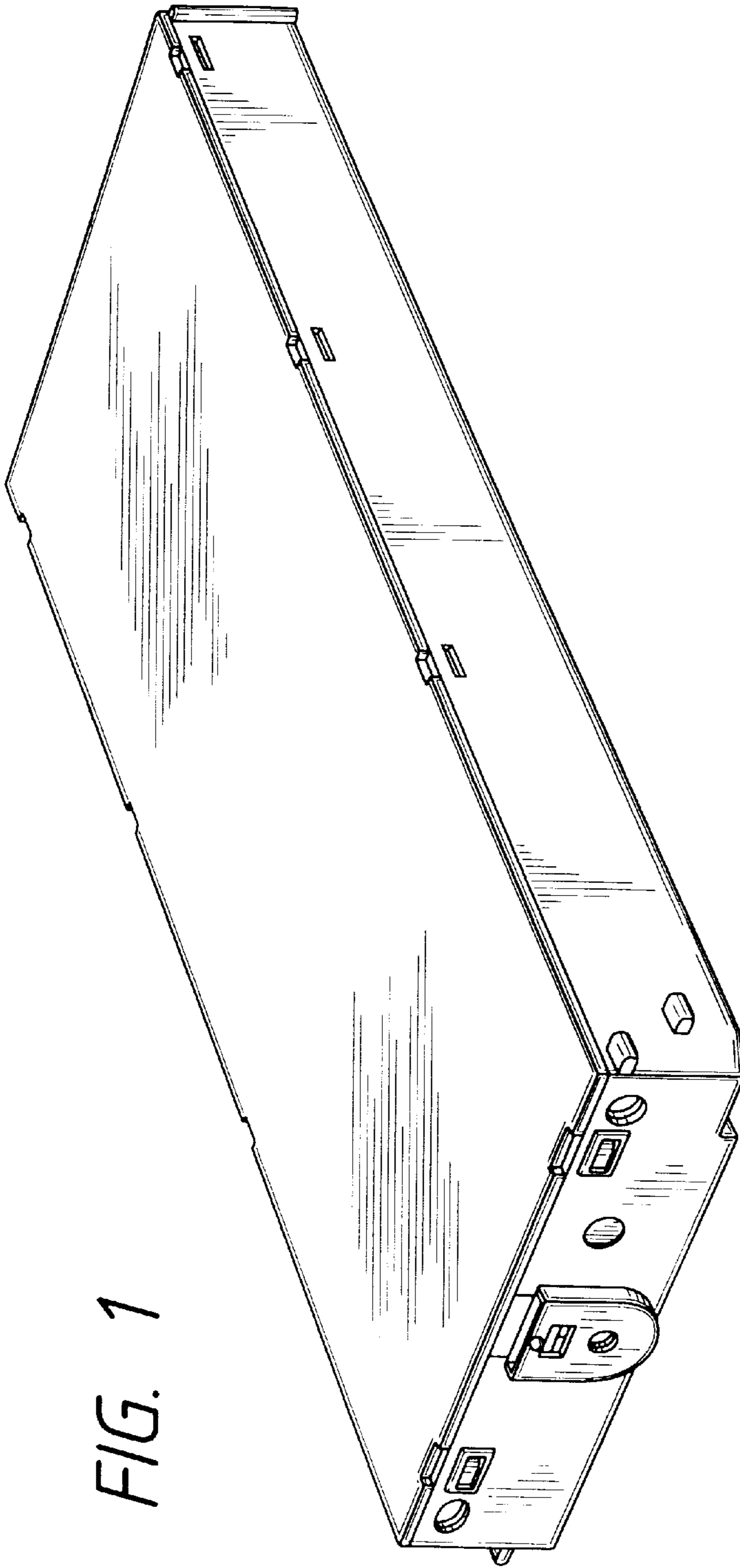


FIG. 2

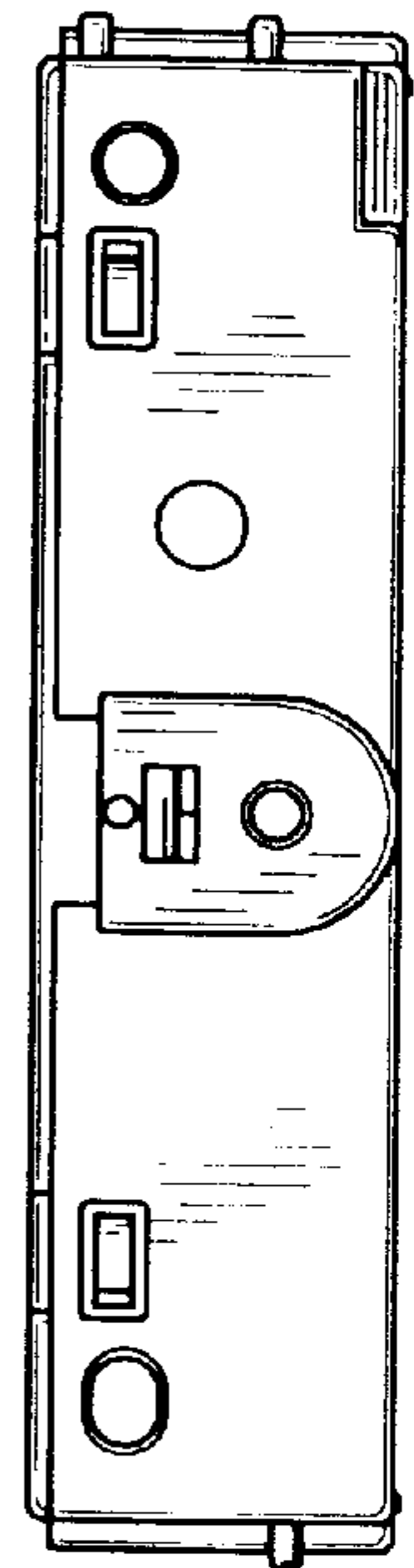
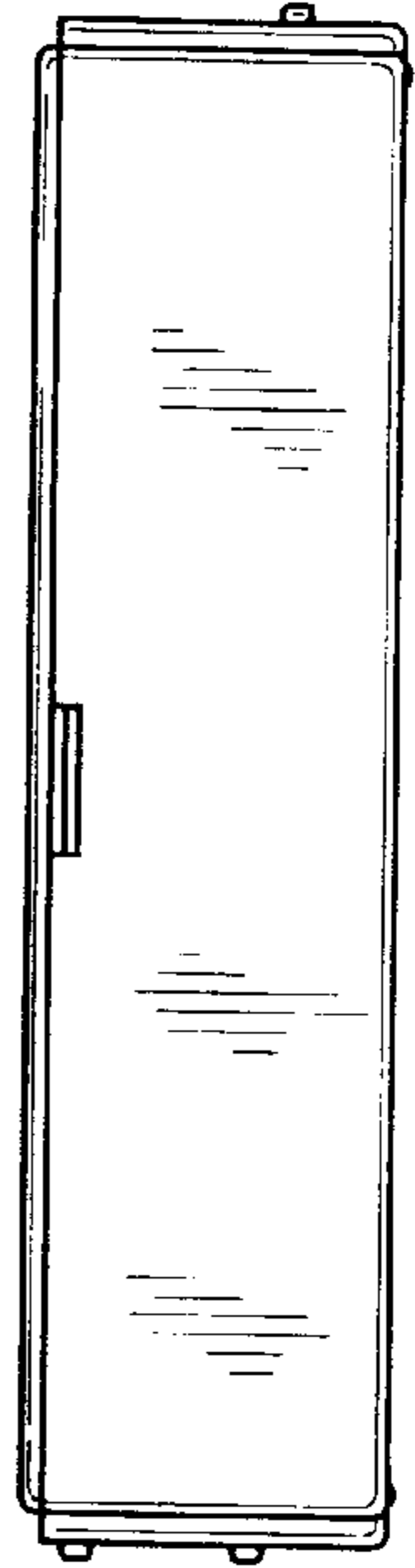


FIG. 3



*FIG. 4*

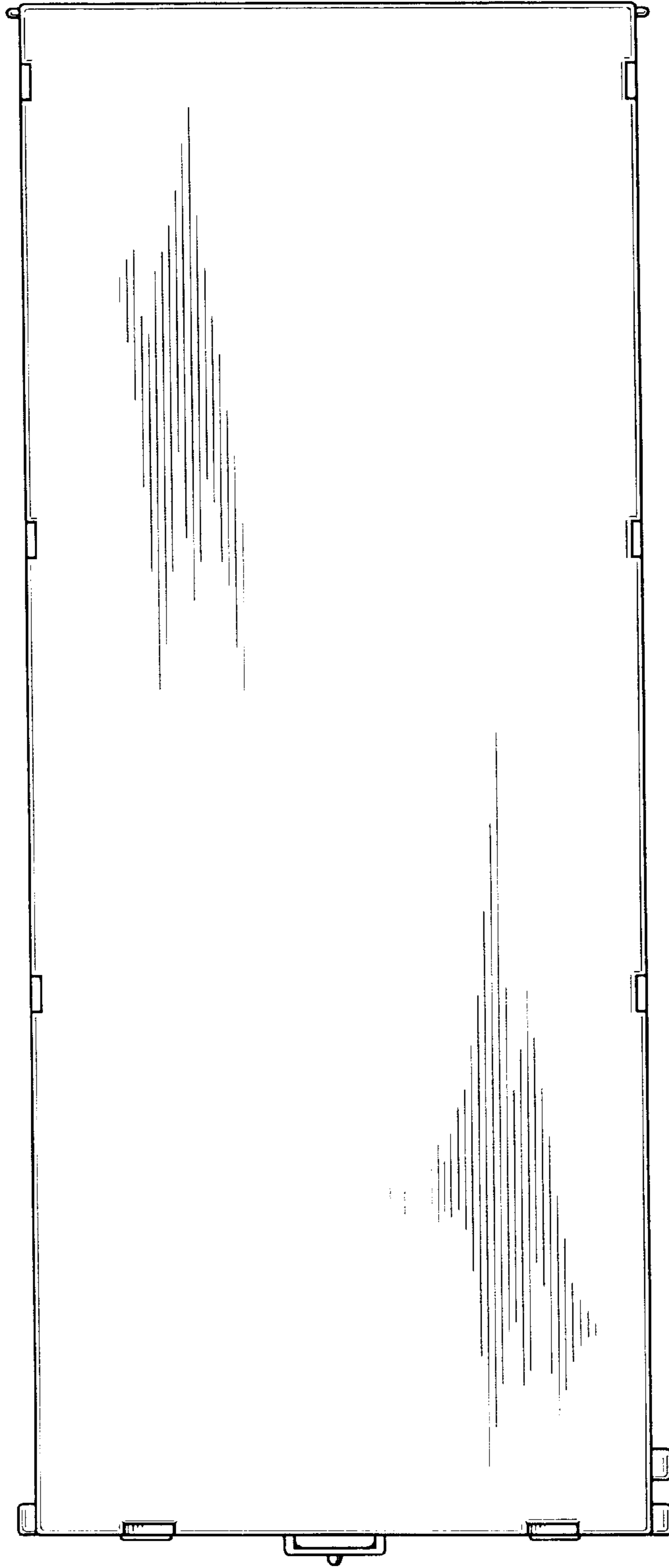


FIG. 5

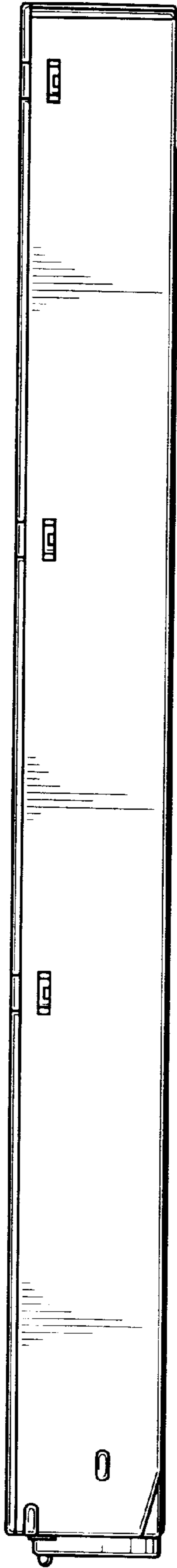
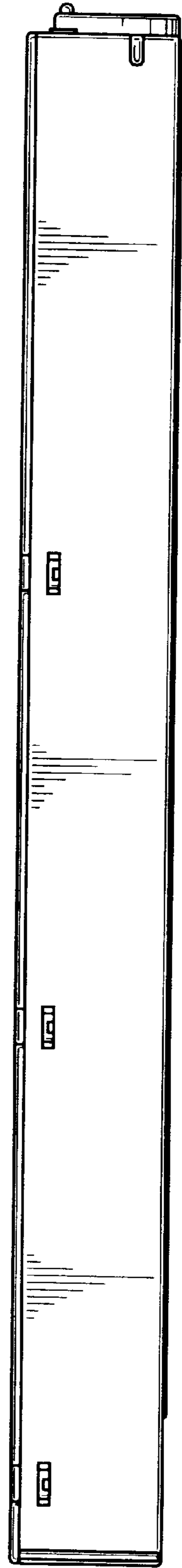


FIG. 6



*FIG. 7*

