



US00D447512B1

(12) **United States Design Patent**
Isomoto et al.

(10) **Patent No.:** **US D447,512 S**

(45) **Date of Patent:** **** Sep. 4, 2001**

(54) **COMPUTER PRINTER**

(76) Inventors: **Masataka Isomoto; Takashi Kusanagi; Akihisa Shiozaki; Tsutomu Yoshihara**, all of c/o Canon Kabushiki Kaisha 30-2, Shimomaruko 3-chome, Ohta-ku, Tokyo (JP)

(**) Term: **14 Years**

(21) Appl. No.: **29/126,827**

(22) Filed: **Jul. 26, 2000**

(30) **Foreign Application Priority Data**

Feb. 1, 2000 (JP) 12-005807

(51) **LOC (7) Cl.** **18-02**

(52) **U.S. Cl.** **D18/53**

(58) **Field of Search** D18/50, 53-55, D18/56, 36-39; D14/462; 400/613, 613.1-613.4, 690, 690.1-690.4, 691-694

(56) **References Cited**

U.S. PATENT DOCUMENTS

D. 349,921 * 8/1994 Graz D18/39 X
D. 373,786 * 9/1996 Kongo D18/39

D. 396,053 * 7/1998 Bishop et al. D18/50
D. 404,419 * 1/1999 Kusanaga D18/39
D. 425,551 5/2000 Shiozaki et al. D18/53
D. 433,439 * 11/2000 Yoshida et al. D18/36

* cited by examiner

Primary Examiner—Melody N. Brown

(57) **CLAIM**

The ornamental design for a computer printer, as shown and described.

DESCRIPTION

FIG. 1 is a front view of a computer printer showing our new design;

FIG. 2 is a rear view thereof;

FIG. 3 is a top plan view thereof;

FIG. 4 is a bottom plan view thereof;

FIG. 5 is a left side view thereof;

FIG. 6 is a right side view thereof; and,

FIG. 7 is a perspective view as thereof.

The portions of the printer shown in broken lines throughout the drawing are for illustrative purposes only and form no part of the claimed design.

1 Claim, 4 Drawing Sheets

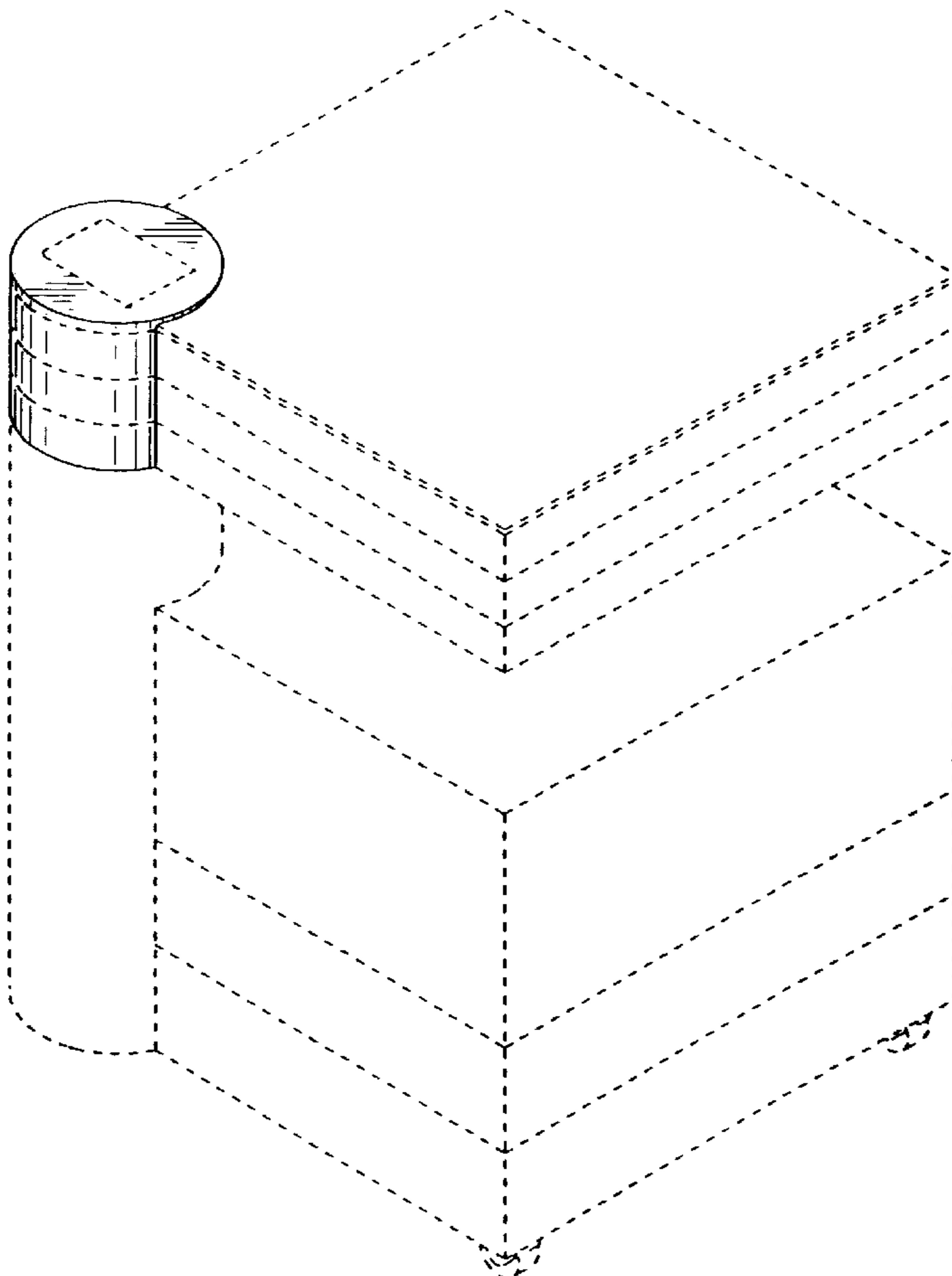


FIG. 2

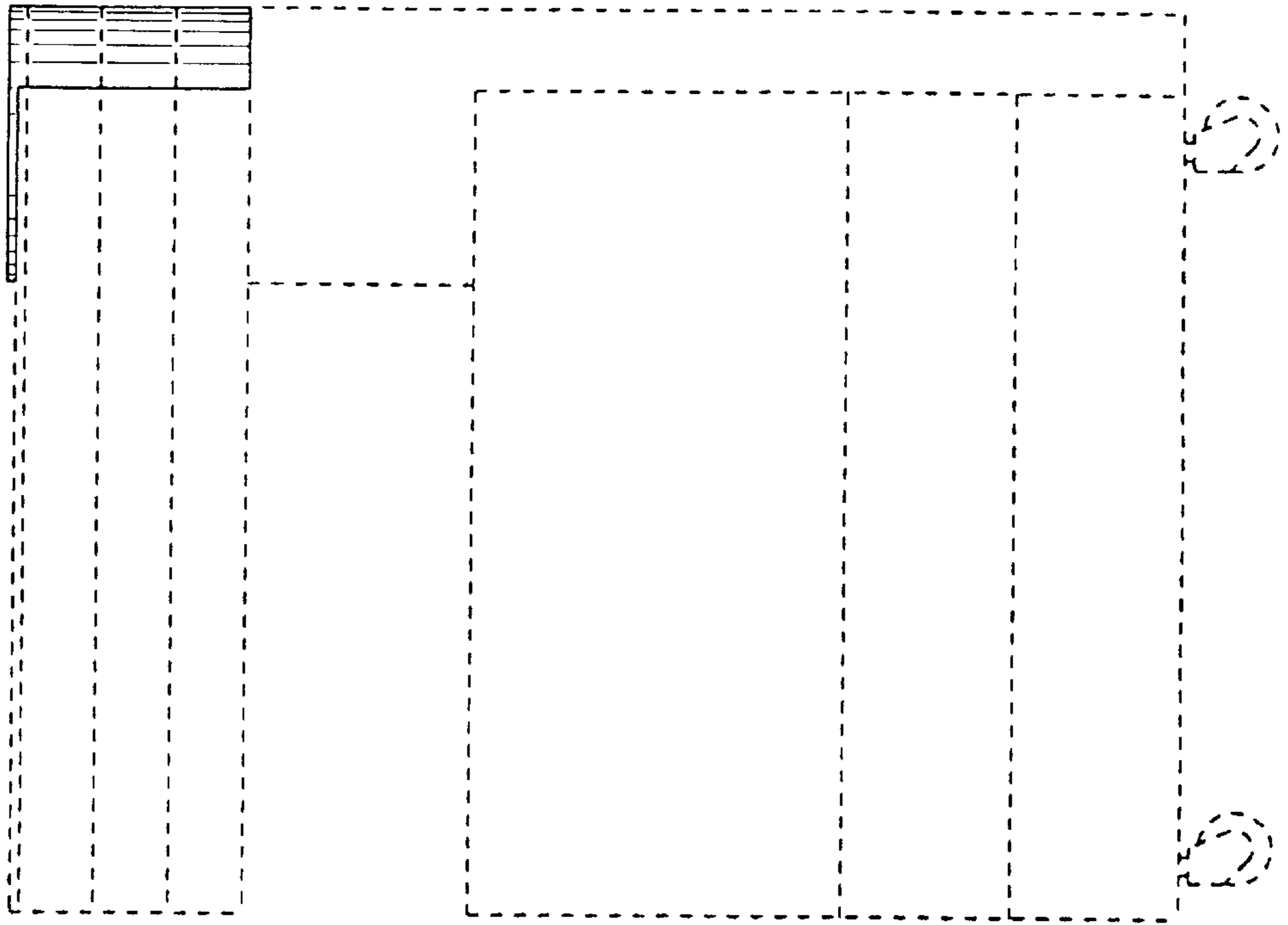


FIG. 1

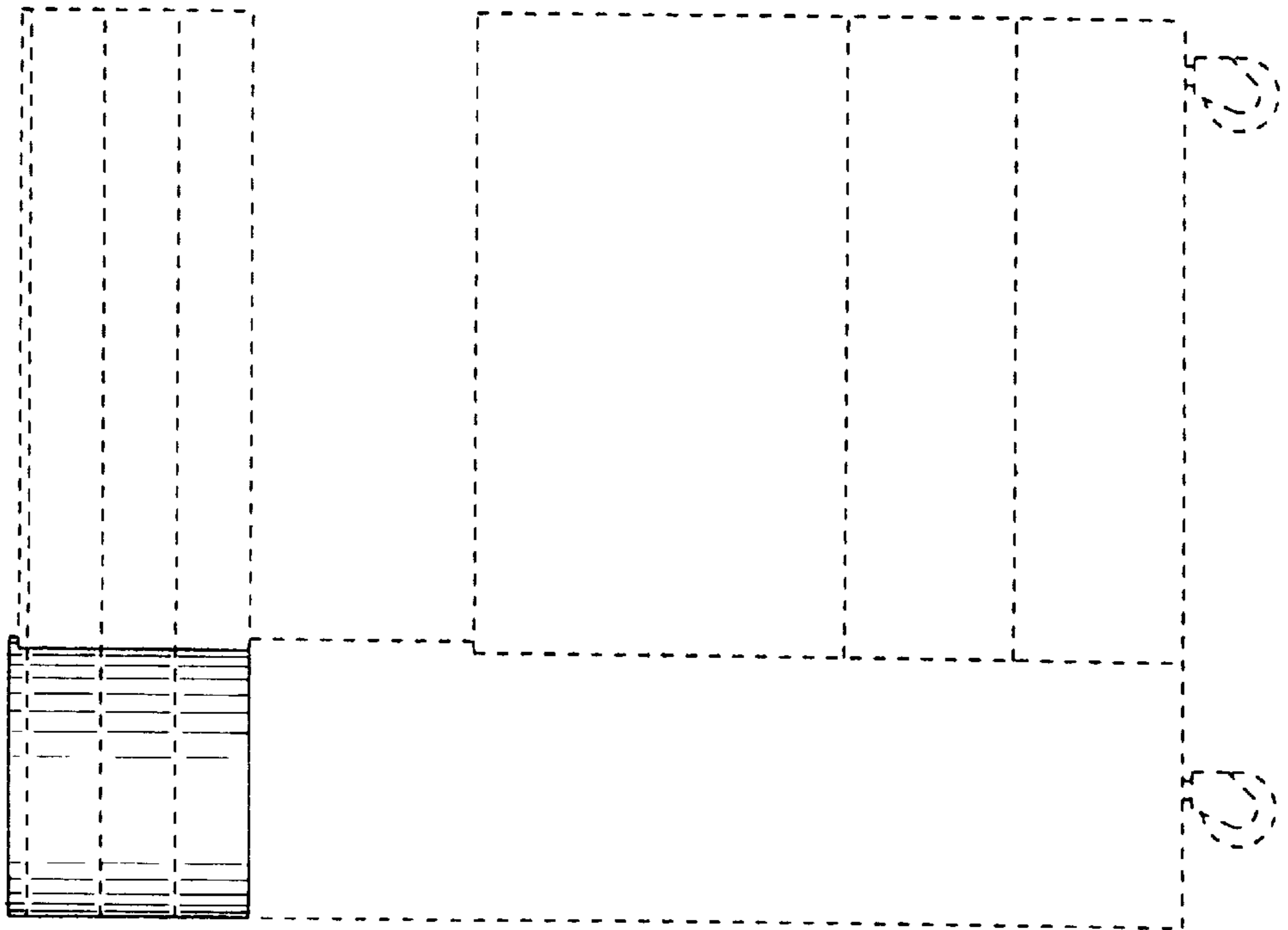


FIG. 3

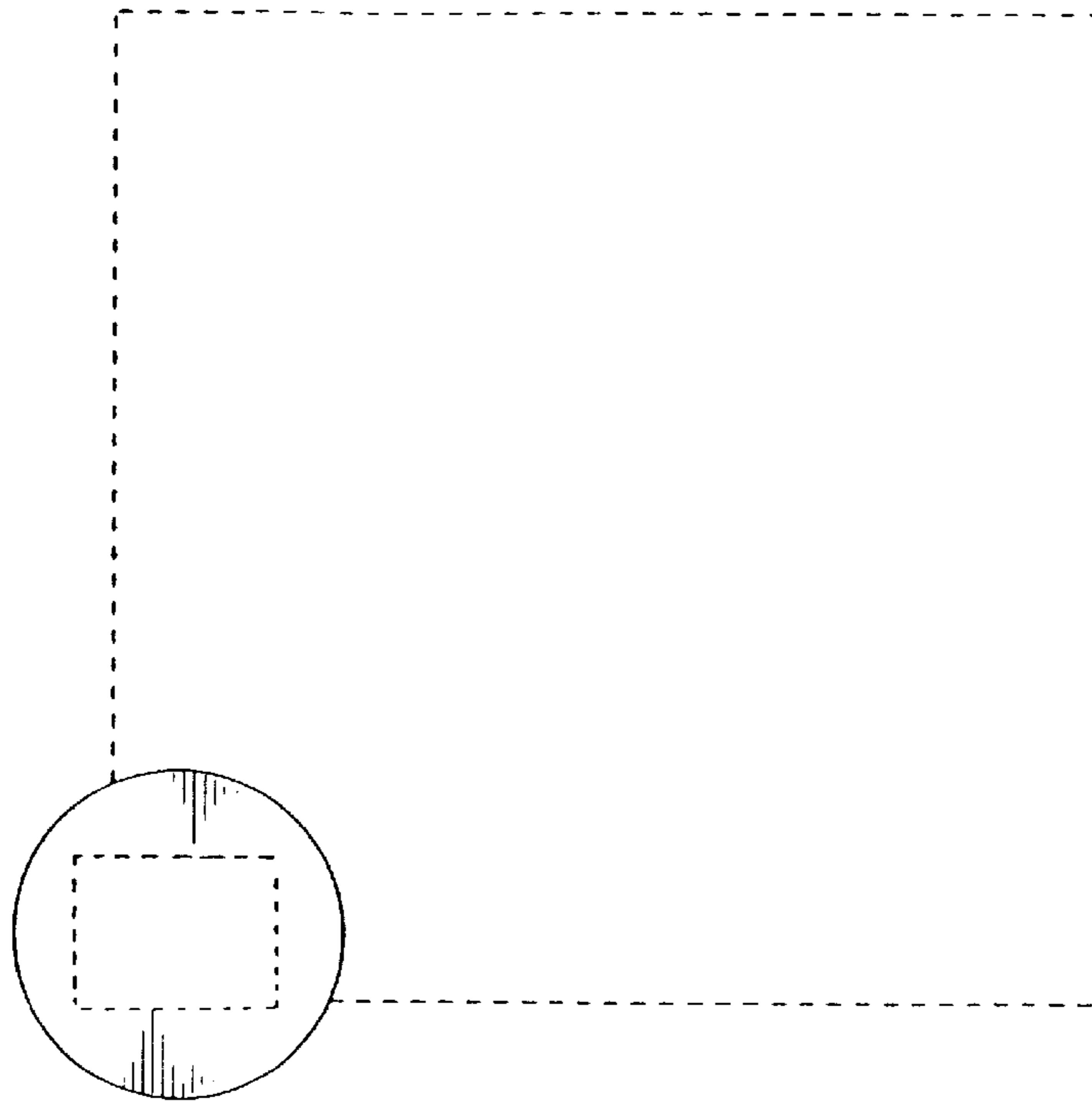


FIG. 4

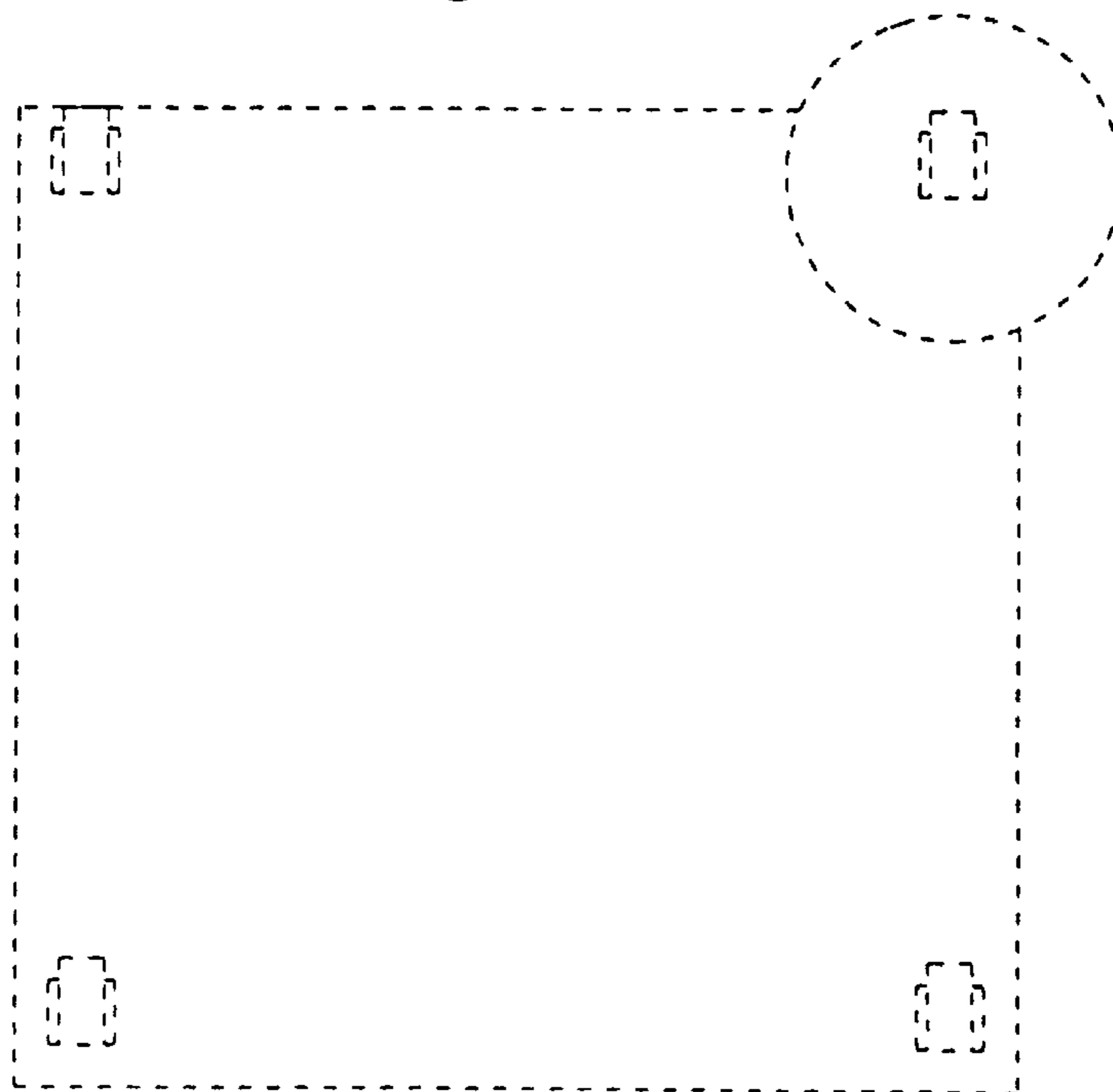


FIG. 6

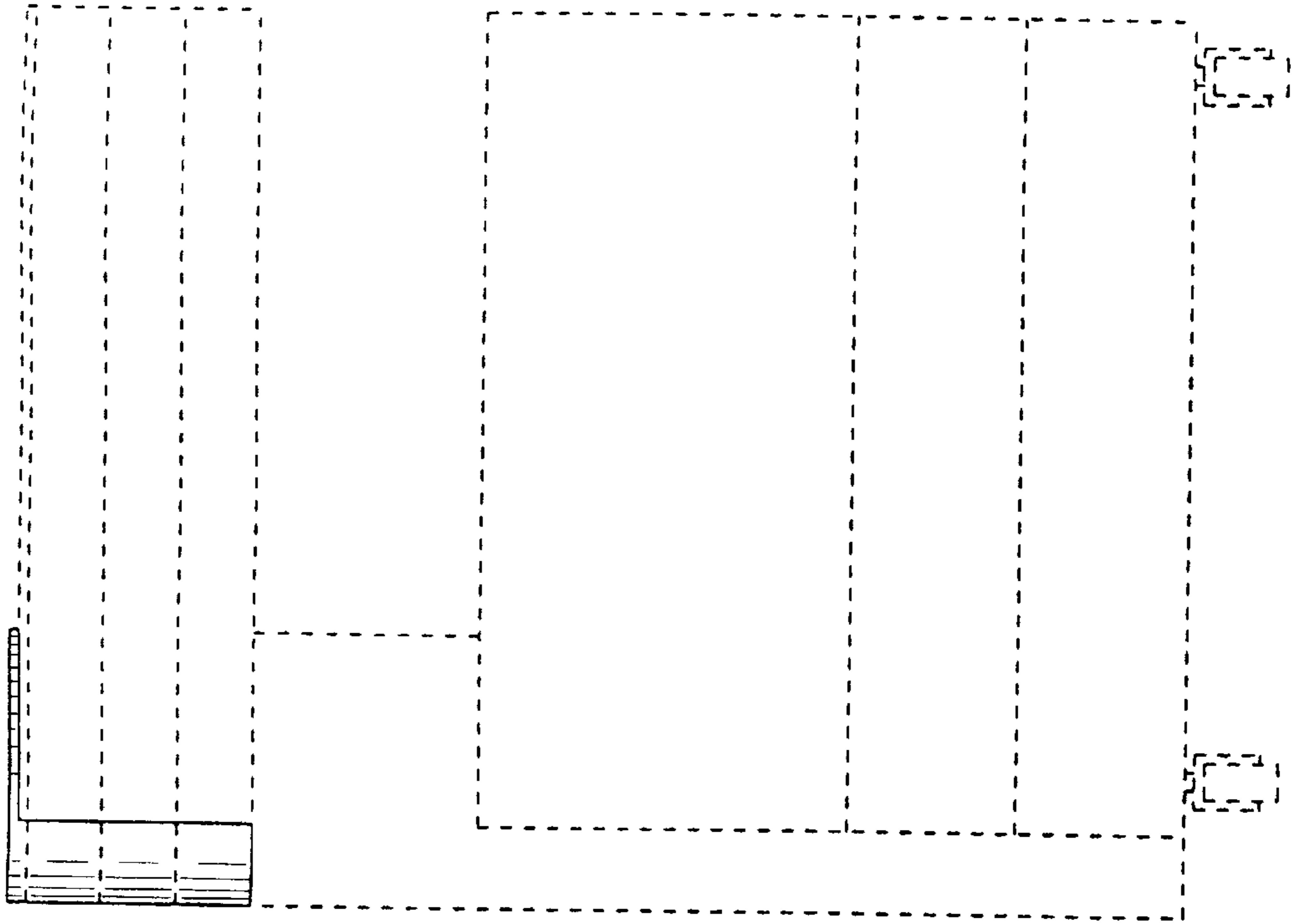


FIG. 5

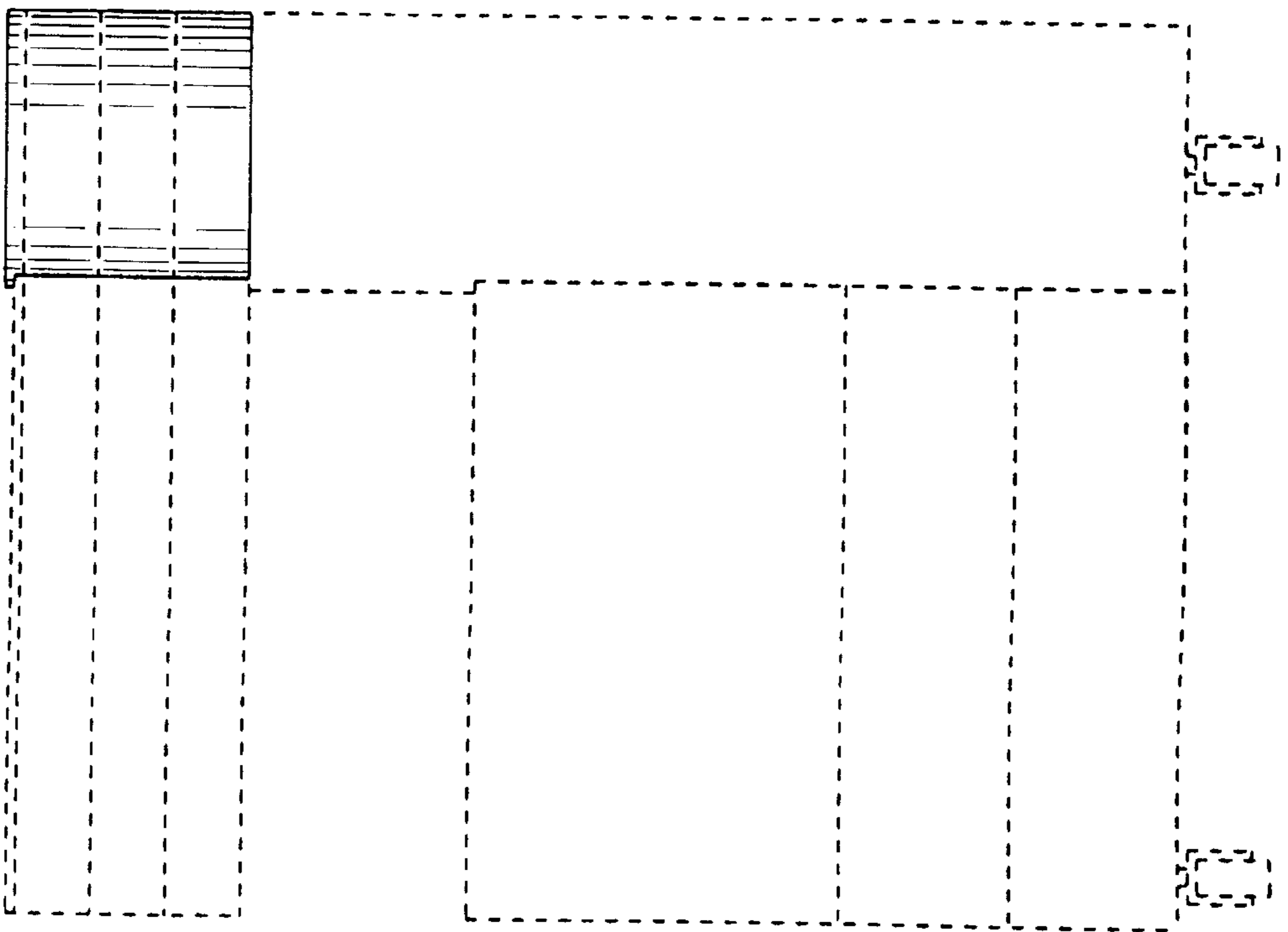
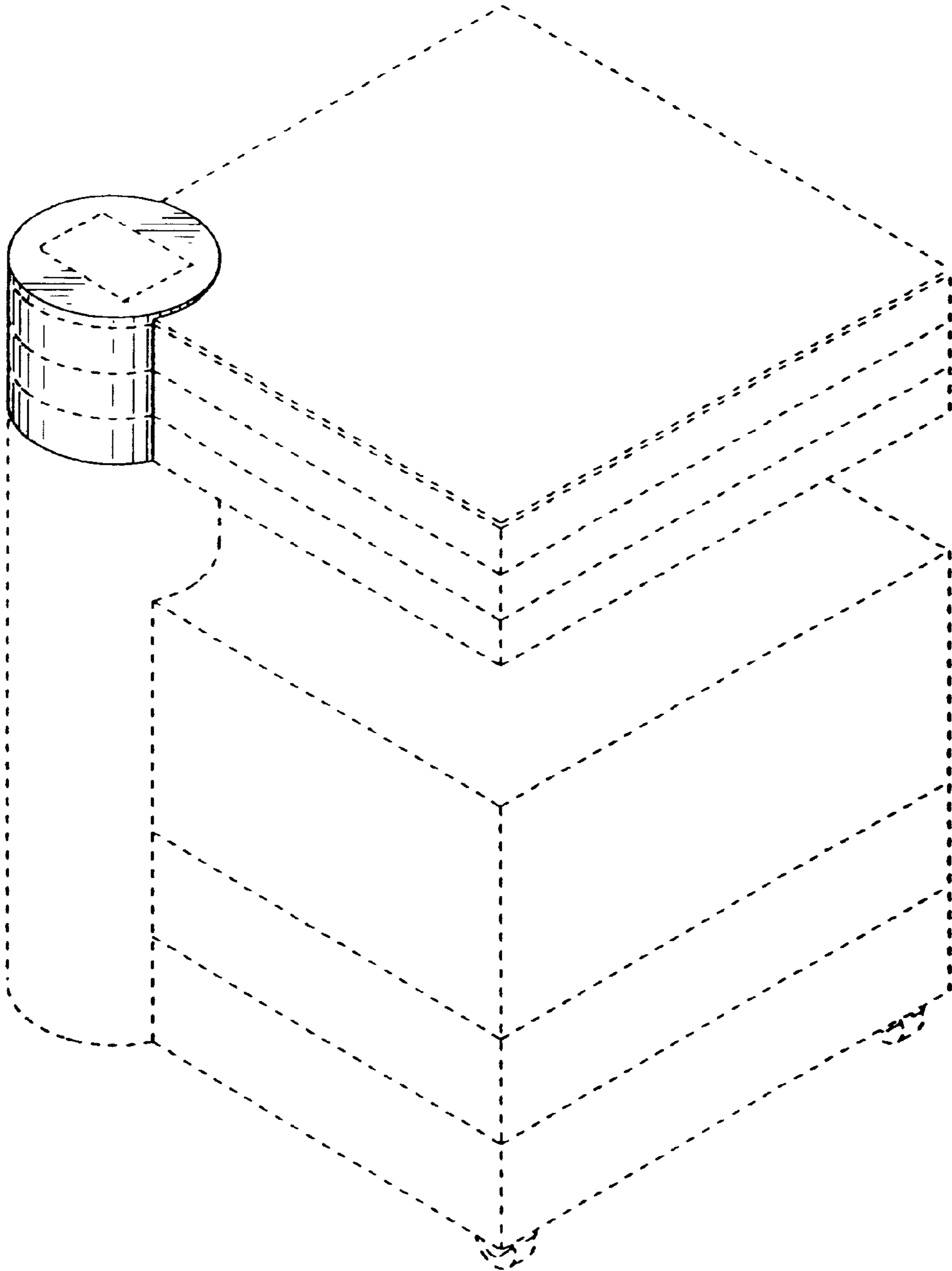


FIG. 7



UNITED STATES PATENT AND TRADEMARK OFFICE
CERTIFICATE OF CORRECTION

PATENT NO. : Des 447,512 S
DATED : September 4, 2001
INVENTOR(S) : Masataka Isomoto et al.

Page 1 of 1

It is certified that error appears in the above-identified patent and that said Letters Patent is hereby corrected as shown below:

Title page,


Item [73], Assignee,

Insert, -- [73] Assignee: Canon Kabushiki Kaisha, Tokyo (JP) --.

Signed and Sealed this

Twenty-fifth Day of December, 2001

Attest:



Attesting Officer

JAMES E. ROGAN
Director of the United States Patent and Trademark Office