



US00D447509B1

(12) **United States Design Patent**
Forslund

(10) **Patent No.:** **US D447,509 S**

(45) **Date of Patent:** **** Sep. 4, 2001**

(54) **COIN SORTING AND CALCULATING MACHINE**

5,501,632 * 3/1996 Adams et al. 453/3

* cited by examiner

(75) Inventor: **Carl Forslund, Höllviken (SE)**

Primary Examiner—Caron D. Veynar

(73) Assignee: **Scan Coin Industries AB, Malmo (SE)**

(74) *Attorney, Agent, or Firm*—Brinks Hofer Gilson & Lione

(**) Term: **14 Years**

(57) **CLAIM**

(21) Appl. No.: **29/133,116**

The ornamental design for a coin sorting and calculating machine, as shown.

(22) Filed: **Nov. 22, 2000**

(30) **Foreign Application Priority Data**

DESCRIPTION

May 25, 2000 (SE) 00-1015

FIG. 1 is a front perspective view of a coin sorting and calculating machine.

(51) **LOC (7) Cl.** **18-01**

FIG. 2 is a rear perspective view thereof.

(52) **U.S. Cl.** **D18/3.1**

FIG. 3 is a front elevation view thereof.

(58) **Field of Search** D18/3.1-3.3; D99/28, D99/38; 453/3, 18, 63; 194/217

FIG. 4 is a bottom plan view thereof.

FIG. 5 is a top plan view thereof.

FIG. 6 is a left elevation side view thereof.

FIG. 7 is a right elevation side view thereof; and,

FIG. 8 is a rear elevation view thereof.

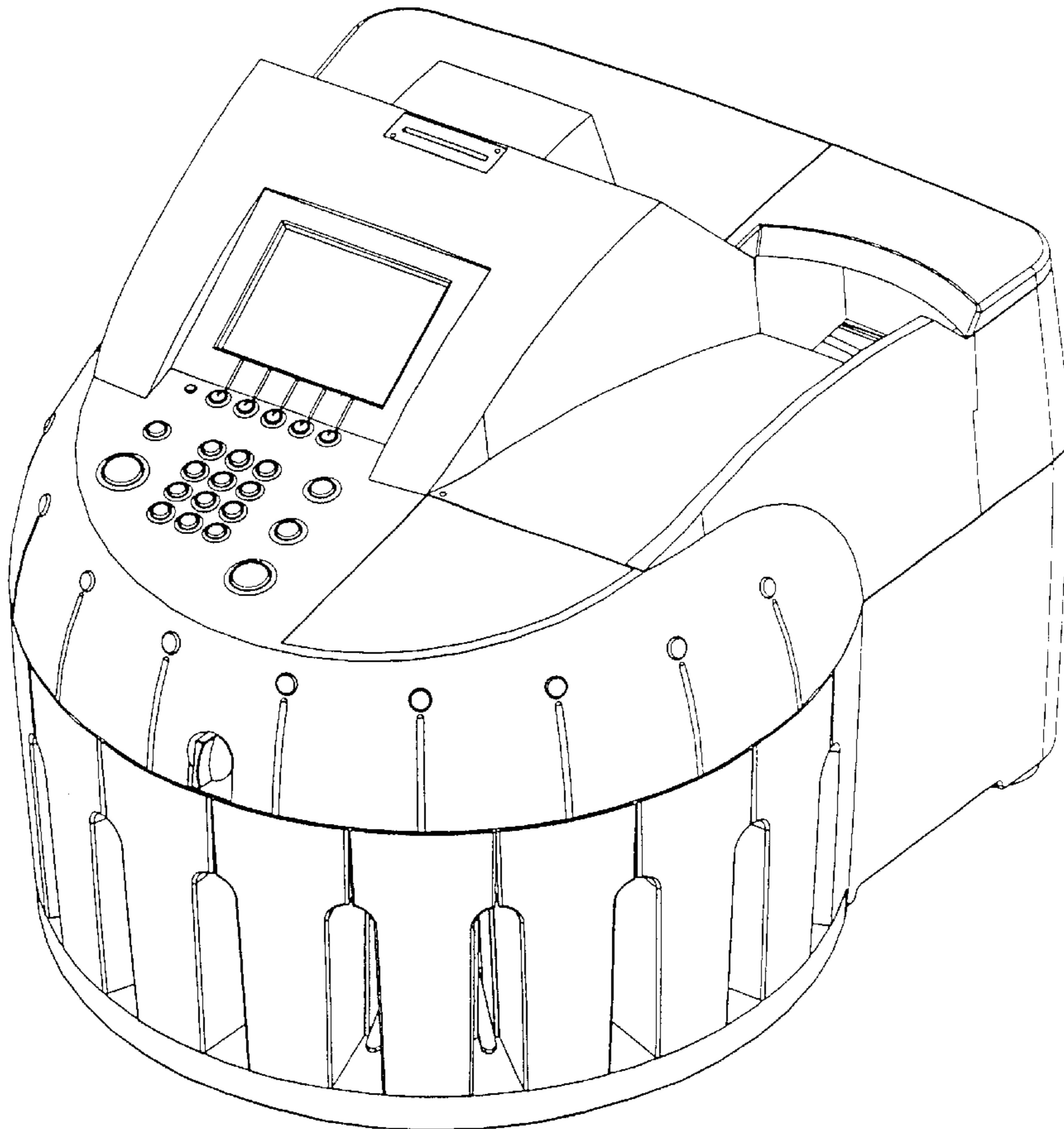
FIGS. 3-8 are drawn on a reduced scale.

(56) **References Cited**

U.S. PATENT DOCUMENTS

D. 359,152 * 6/1995 Adams et al. D18/3.1
5,429,551 * 7/1995 Uecker et al. 453/18

1 Claim, 4 Drawing Sheets



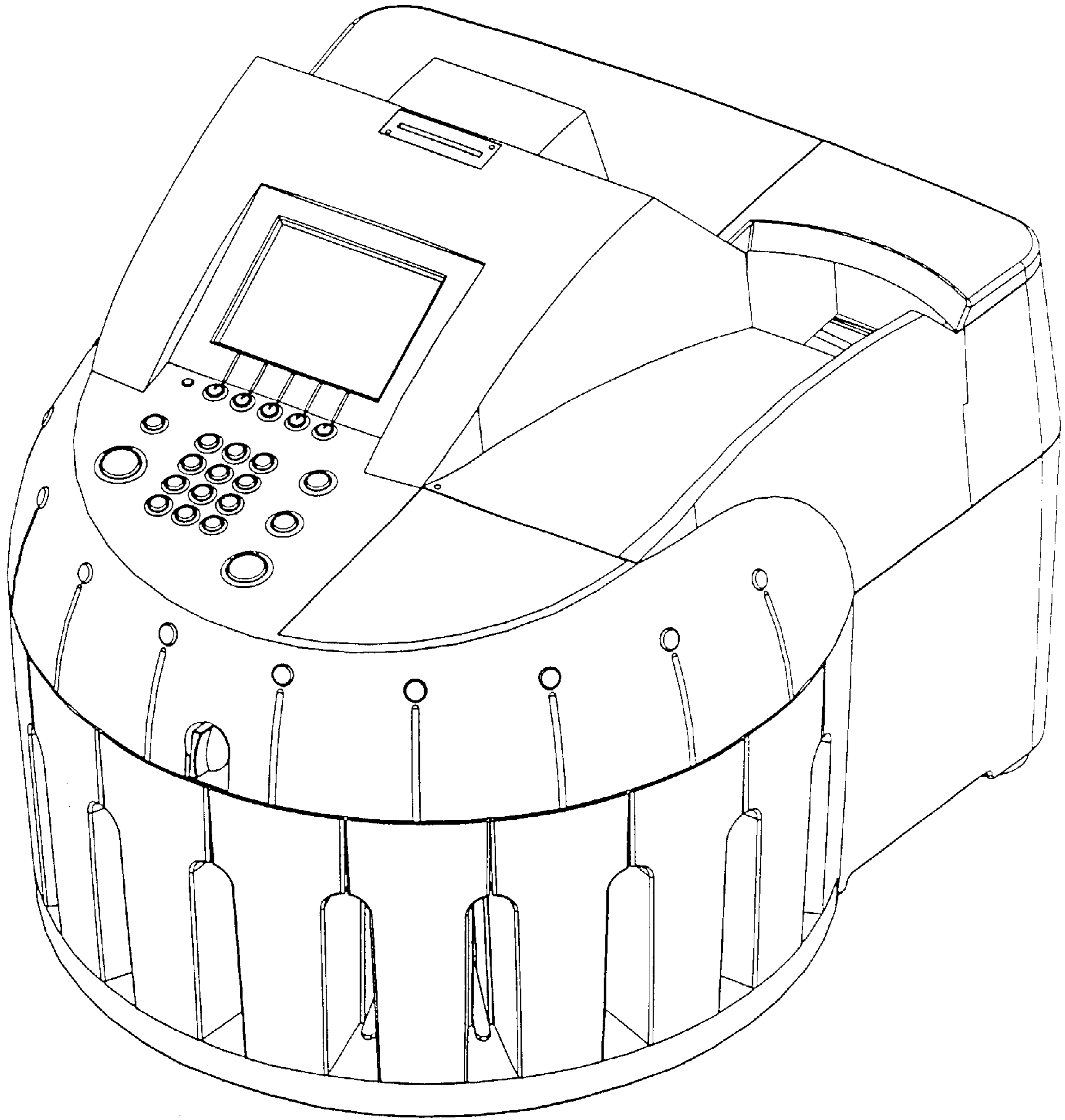


FIG. 1

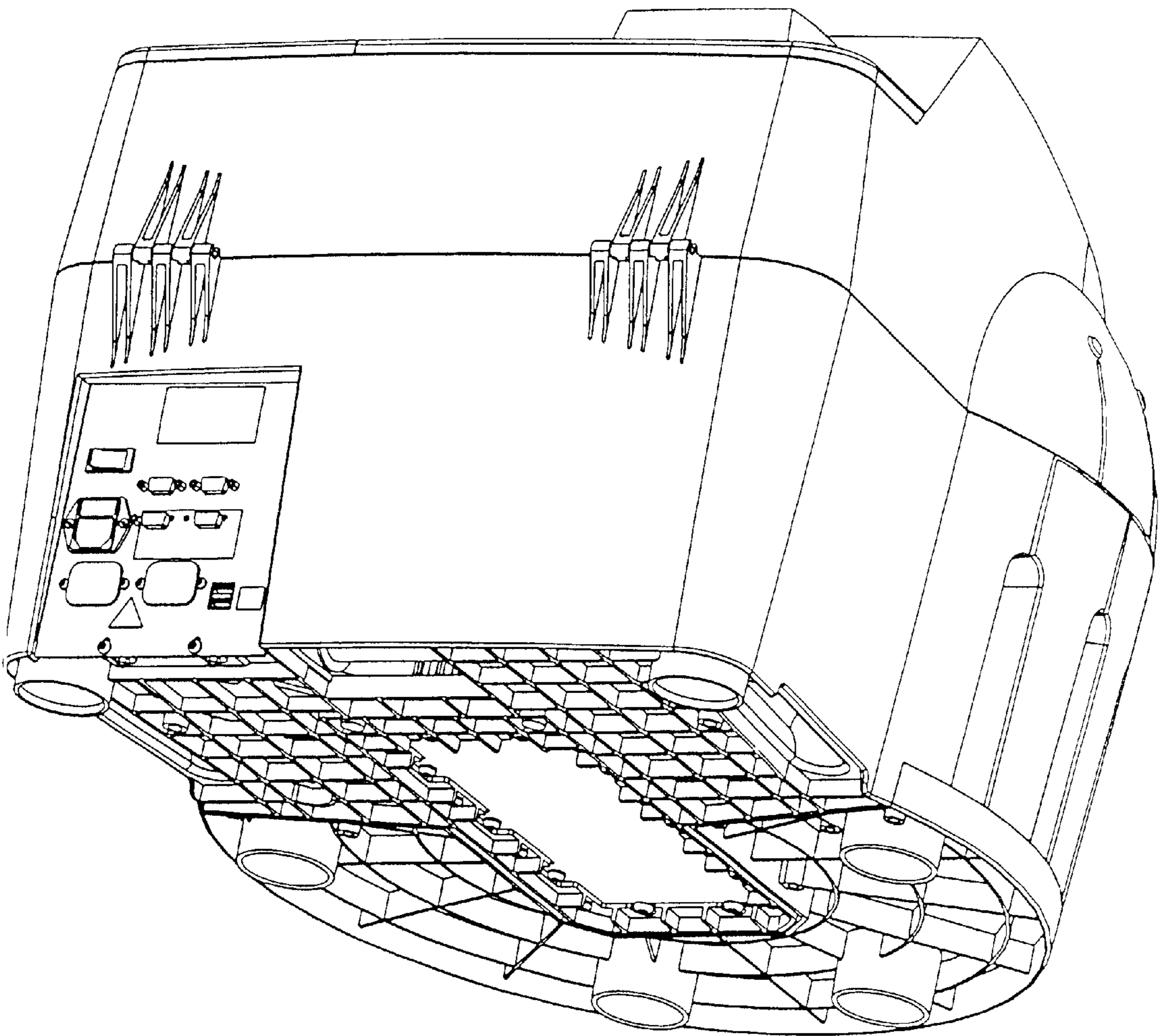


FIG. 2

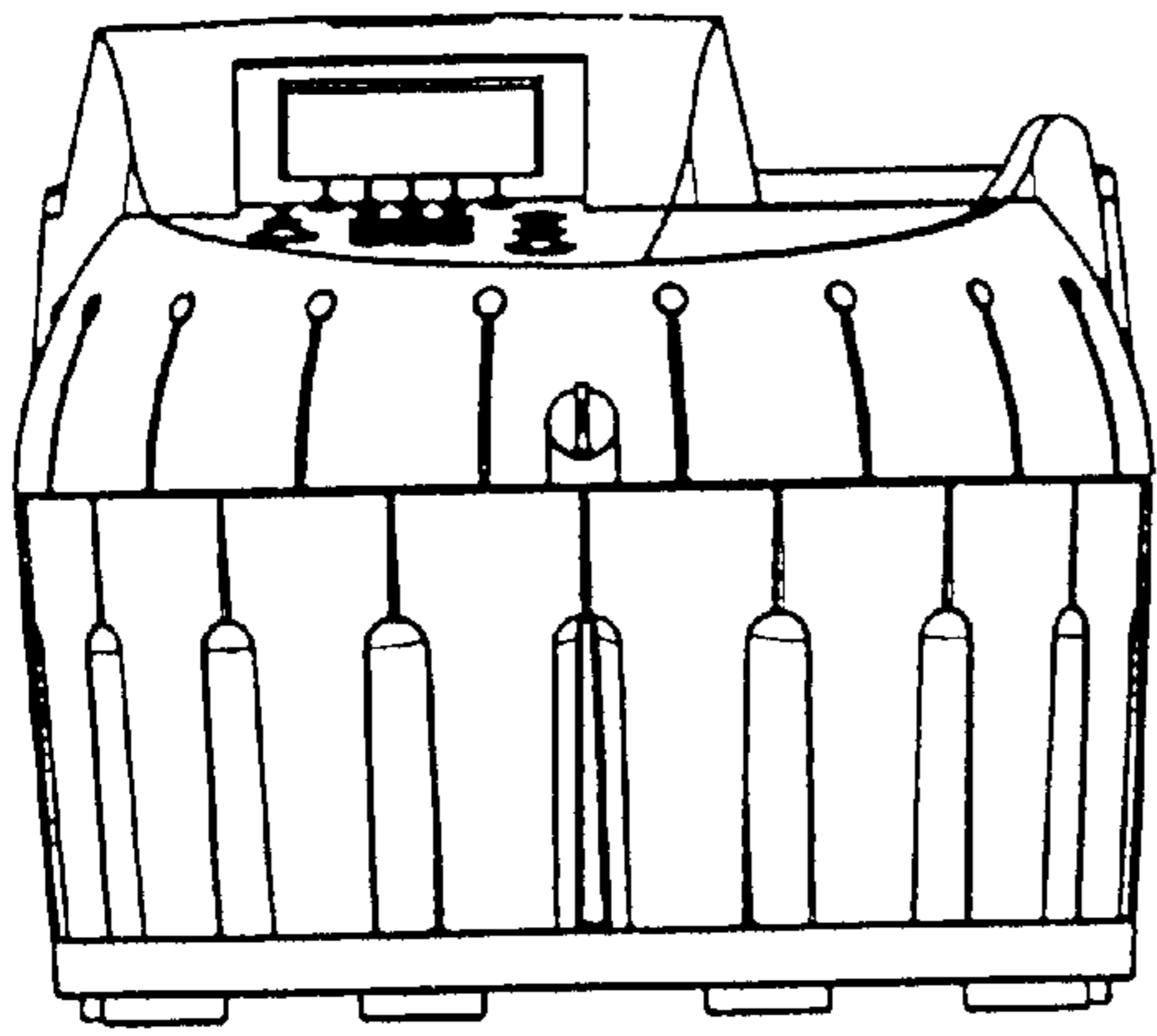


FIG. 3

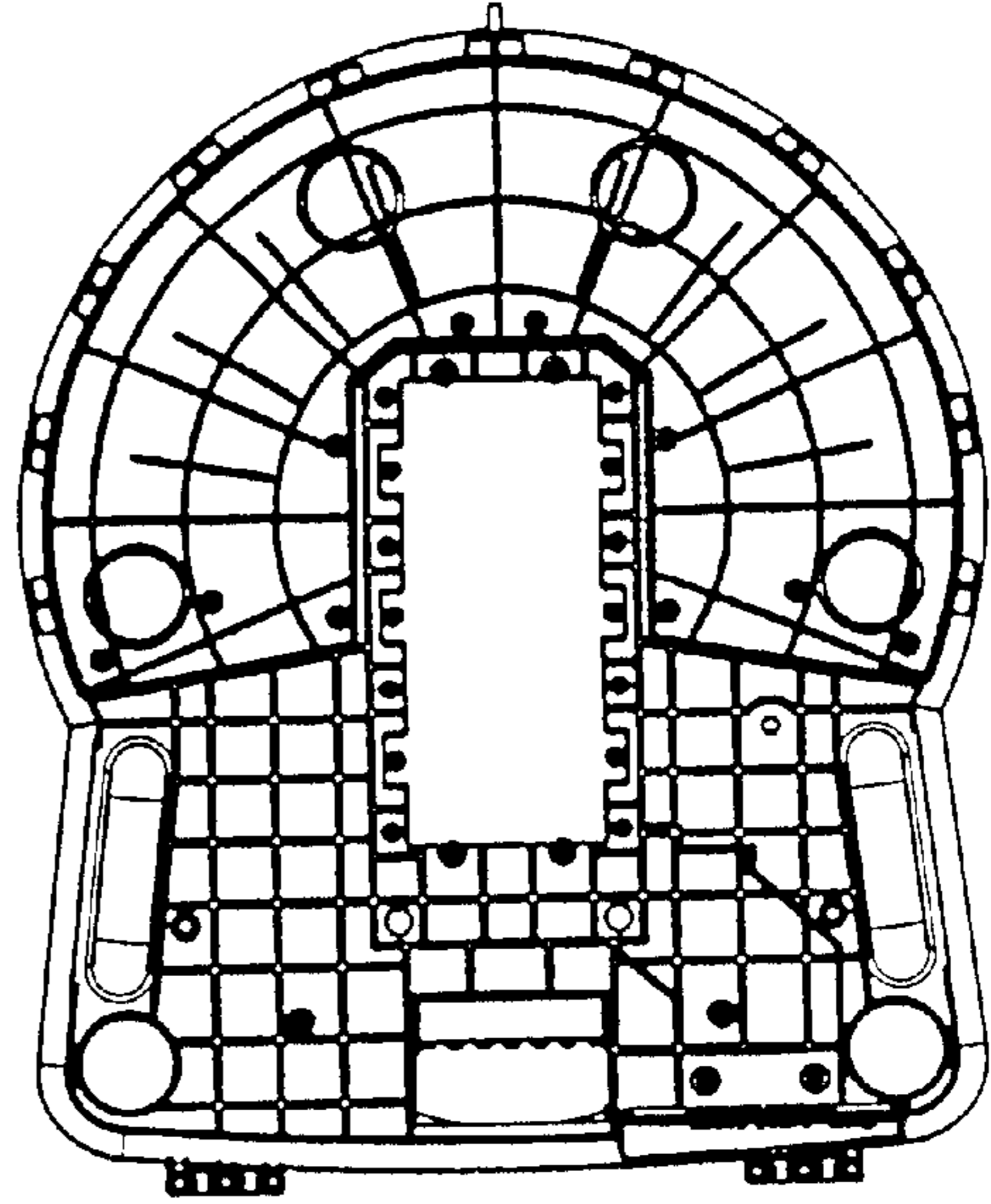


FIG. 4

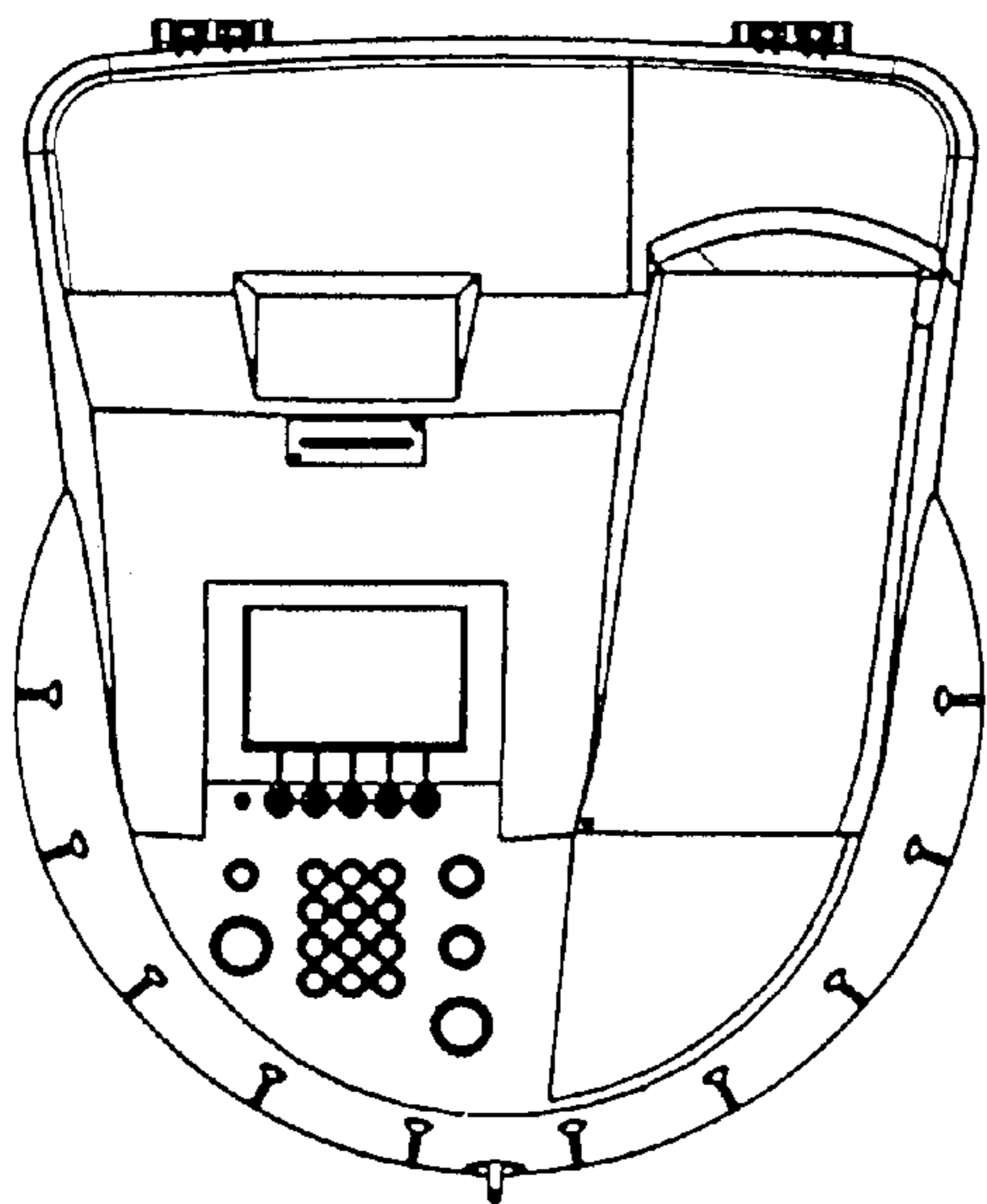


FIG. 5

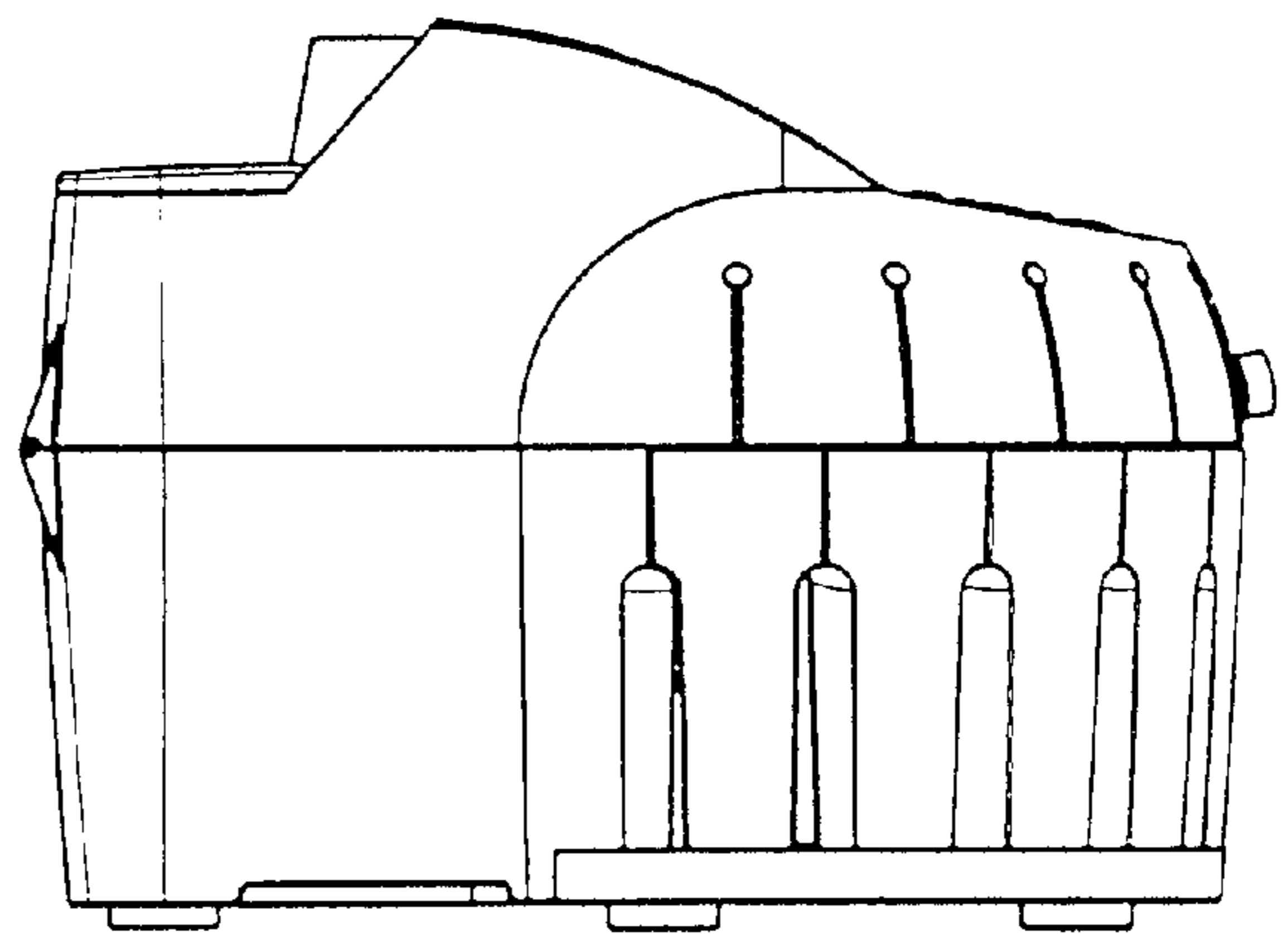


FIG. 6

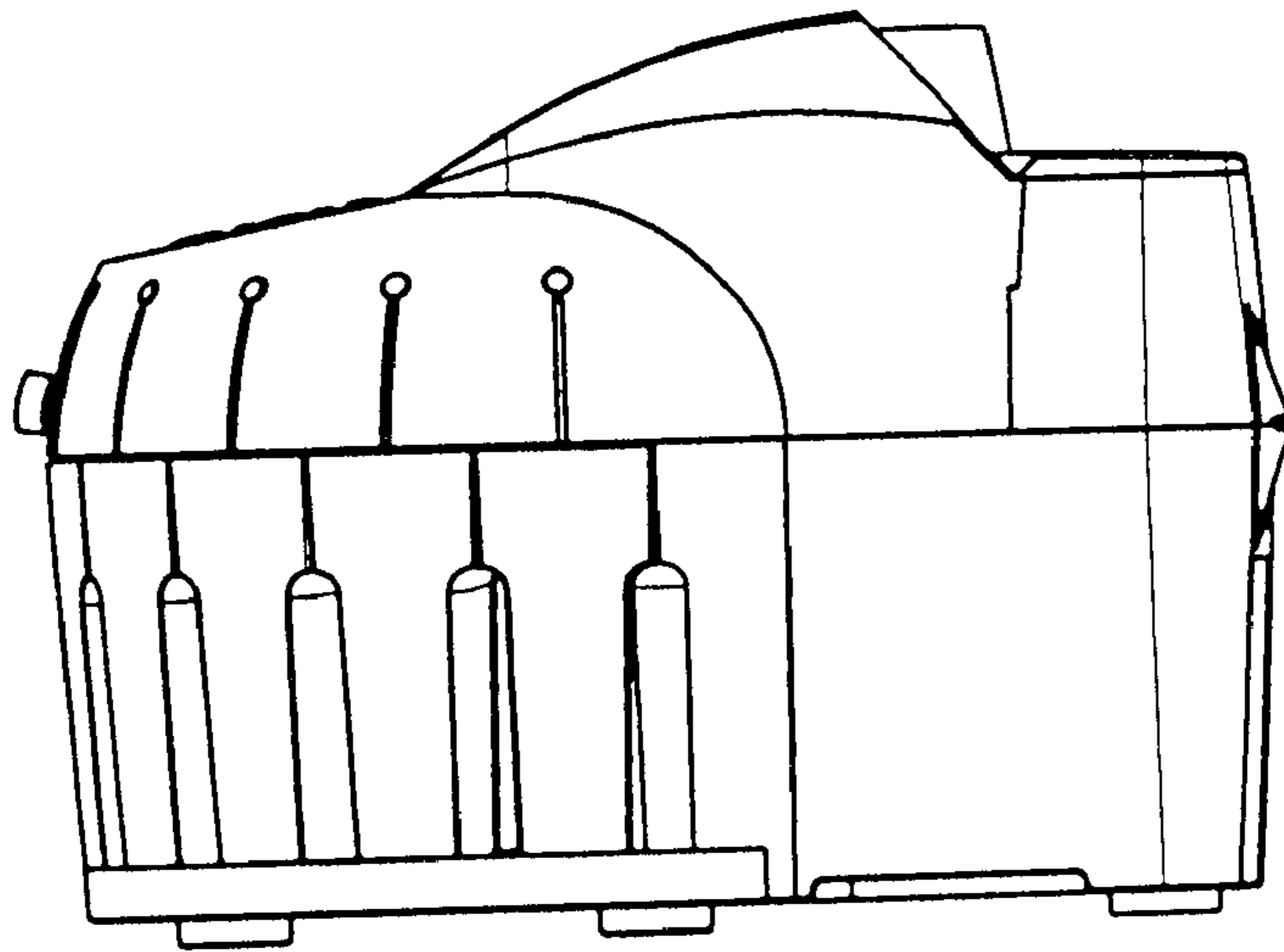


FIG. 7

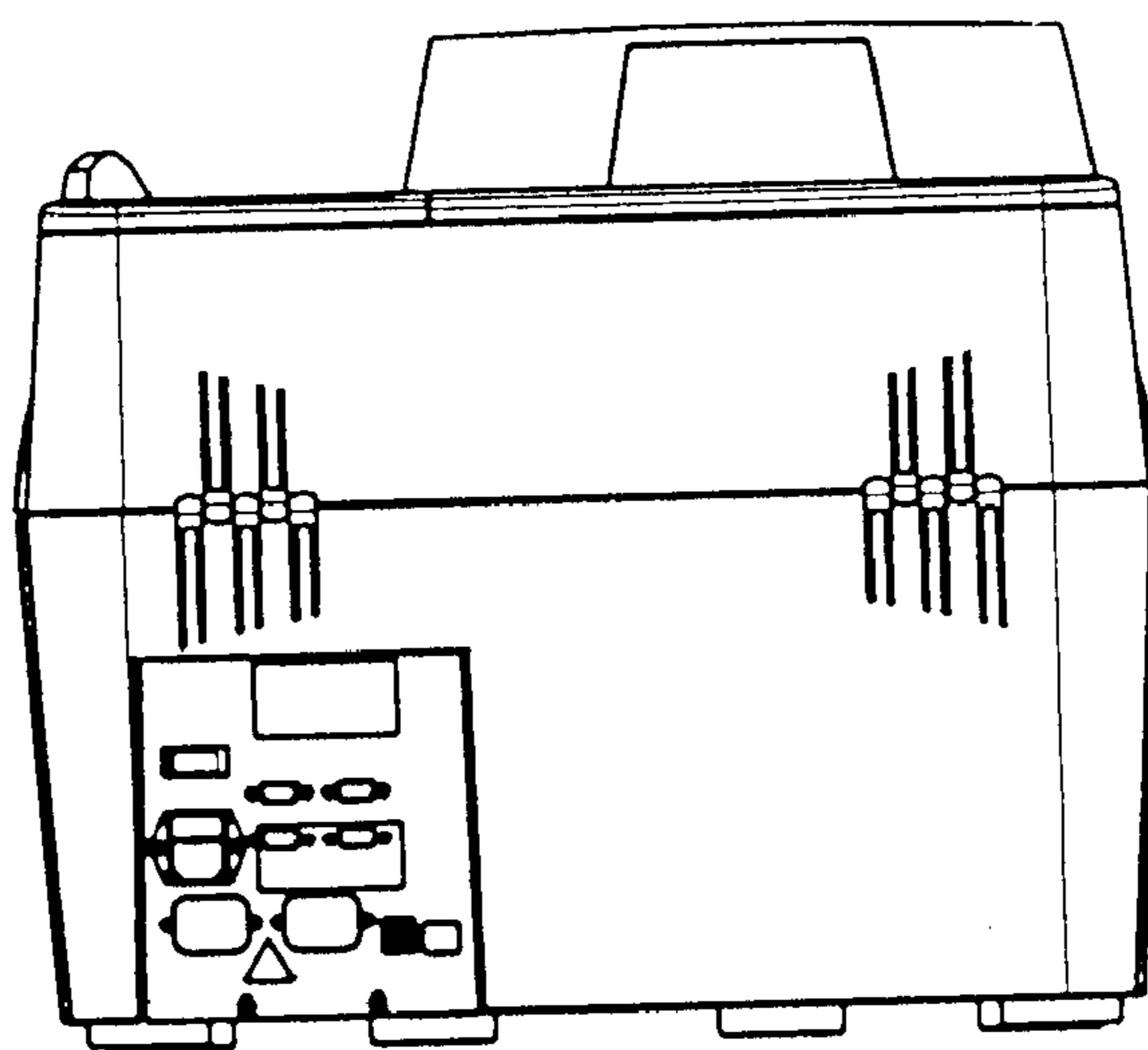


FIG. 8