



US00D447504B1

(12) **United States Design Patent**
Horikiri

(10) **Patent No.:** **US D447,504 S**

(45) **Date of Patent:** **** Sep. 4, 2001**

(54) **INSTANT CAMERA**

(75) **Inventor:** **Kazuhisa Horikiri, Tokyo (JP)**

(73) **Assignee:** **Fuji Photo Film Co., Ltd., Kanagawa (JP)**

(**) **Term:** **14 Years**

(21) **Appl. No.:** **29/135,271**

(22) **Filed:** **Jan. 10, 2001**

(30) **Foreign Application Priority Data**

Jul. 25, 2000 (JP) 12-020335

(51) **LOC (7) Cl.** **16-01**

(52) **U.S. Cl.** **D16/218**

(58) **Field of Search** D16/200-205,
D16/208, 209, 211, 218; 396/30-39, 6,
7, 535-541

(56) **References Cited**

U.S. PATENT DOCUMENTS

D. 348,684 * 7/1994 Shiba D16/211

D. 436,976 * 1/2001 Tanaka D16/202

D. 436,977 1/2001 Senda D16/218

6,006,040 * 12/1999 Aosaki et al. 396/242

6,173,120 * 1/2001 Takatori 396/36

* cited by examiner

Primary Examiner—Adir Aronovich

(74) *Attorney, Agent, or Firm*—Young & Thompson

(57) **CLAIM**

The ornamental design for an instant camera, as shown.

DESCRIPTION

FIG. 1 is a top, front and side perspective view of an instant camera showing my new design;
FIG. 2 is a front elevational view thereof;
FIG. 3 is a rear elevational view thereof;
FIG. 4 is a top plan view thereof;
FIG. 5 is a bottom plan view thereof;
FIG. 6 is a side elevational view thereof from the right side of FIG. 2; and,
FIG. 7 is a side elevational view thereof from the left of FIG. 2.

1 Claim, 4 Drawing Sheets

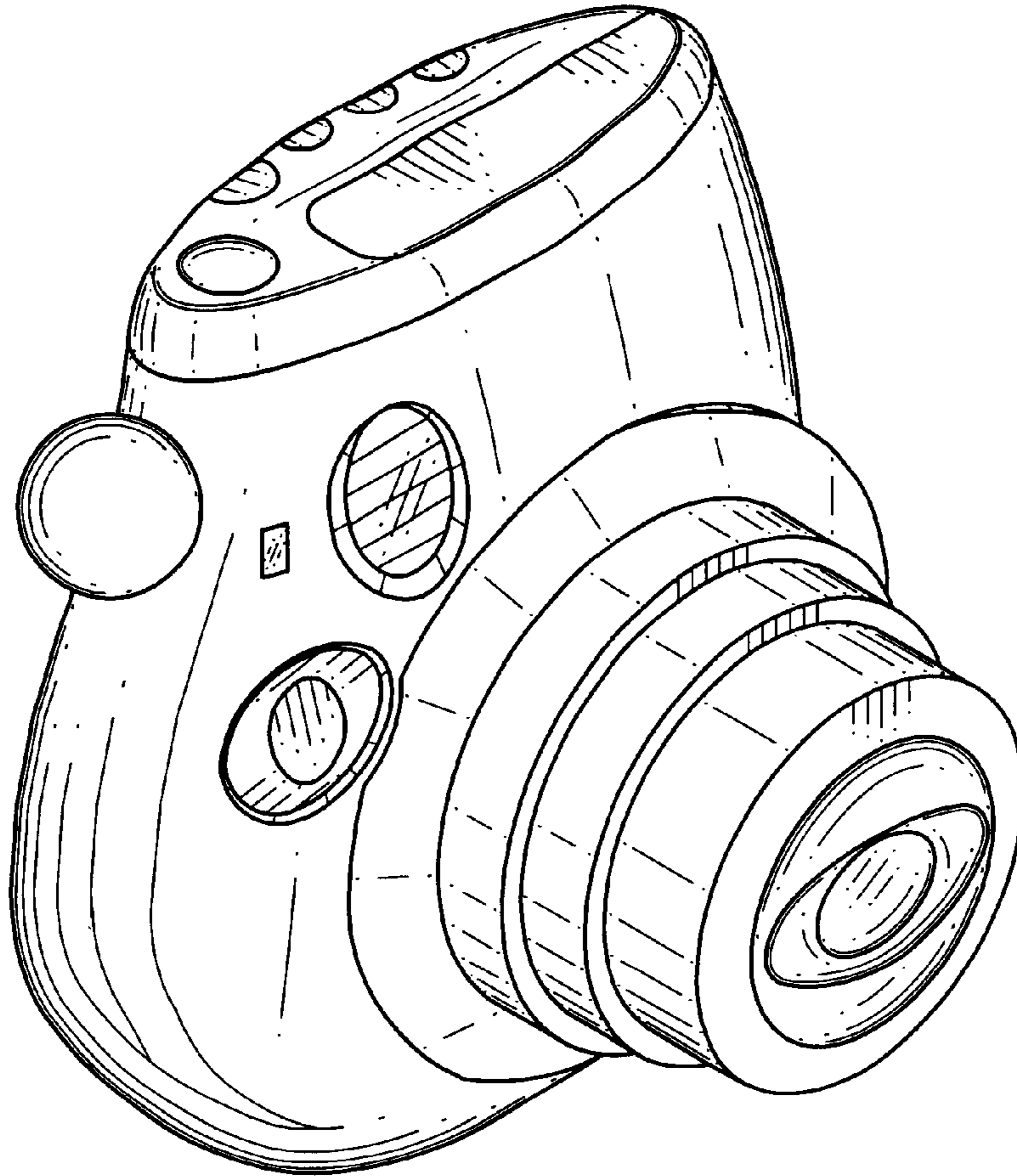


FIG. 1

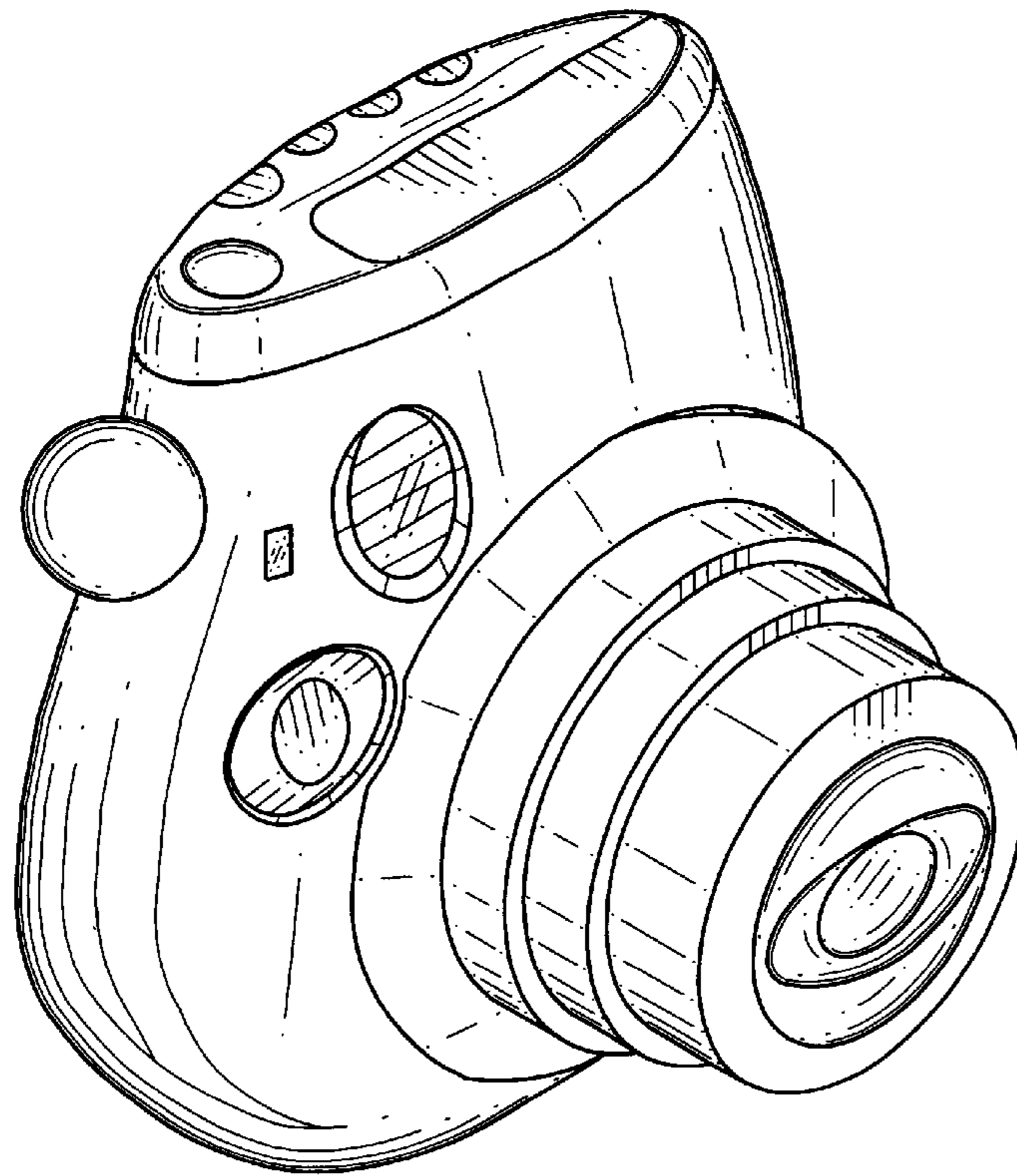


FIG. 2

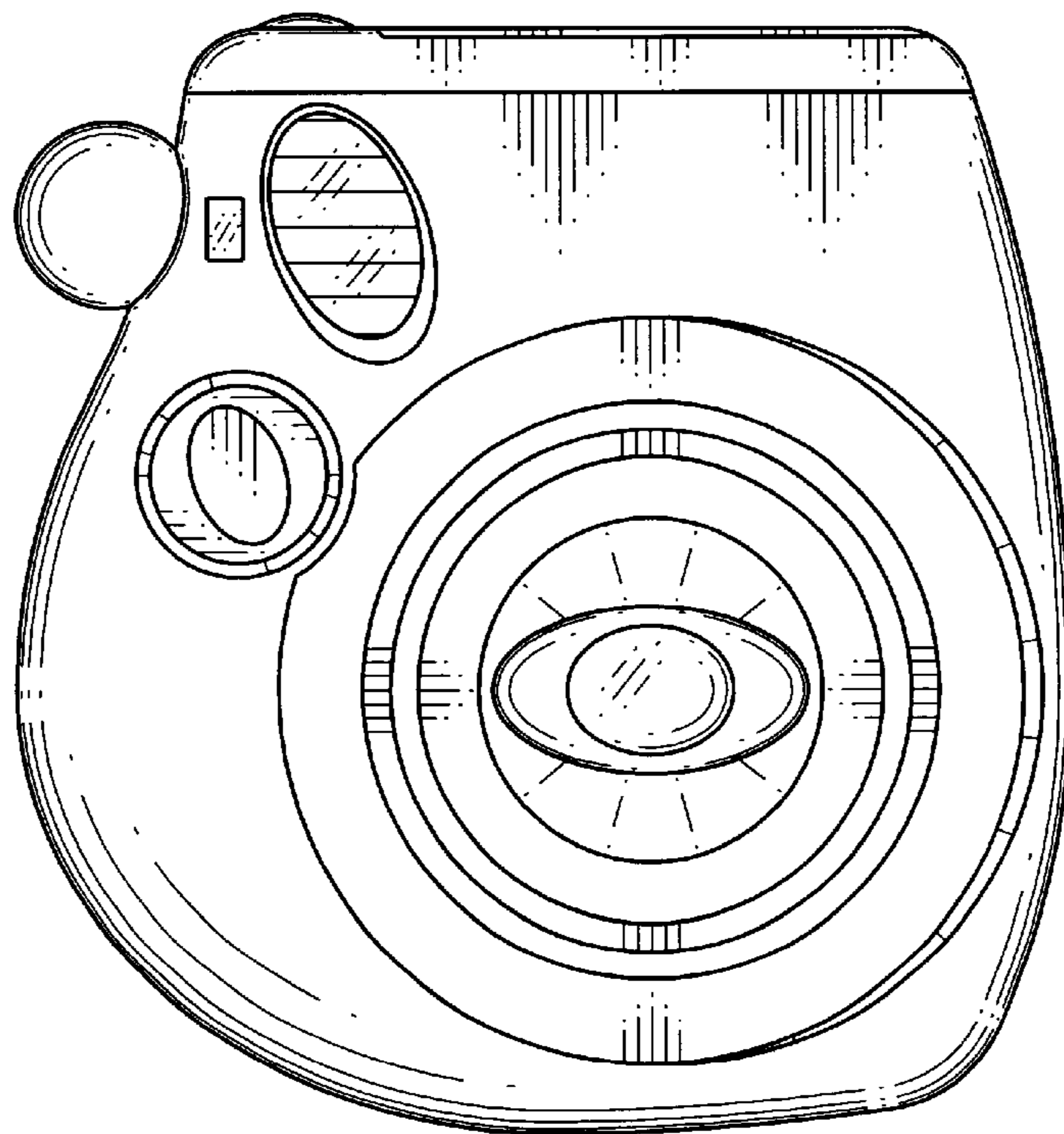


FIG. 3

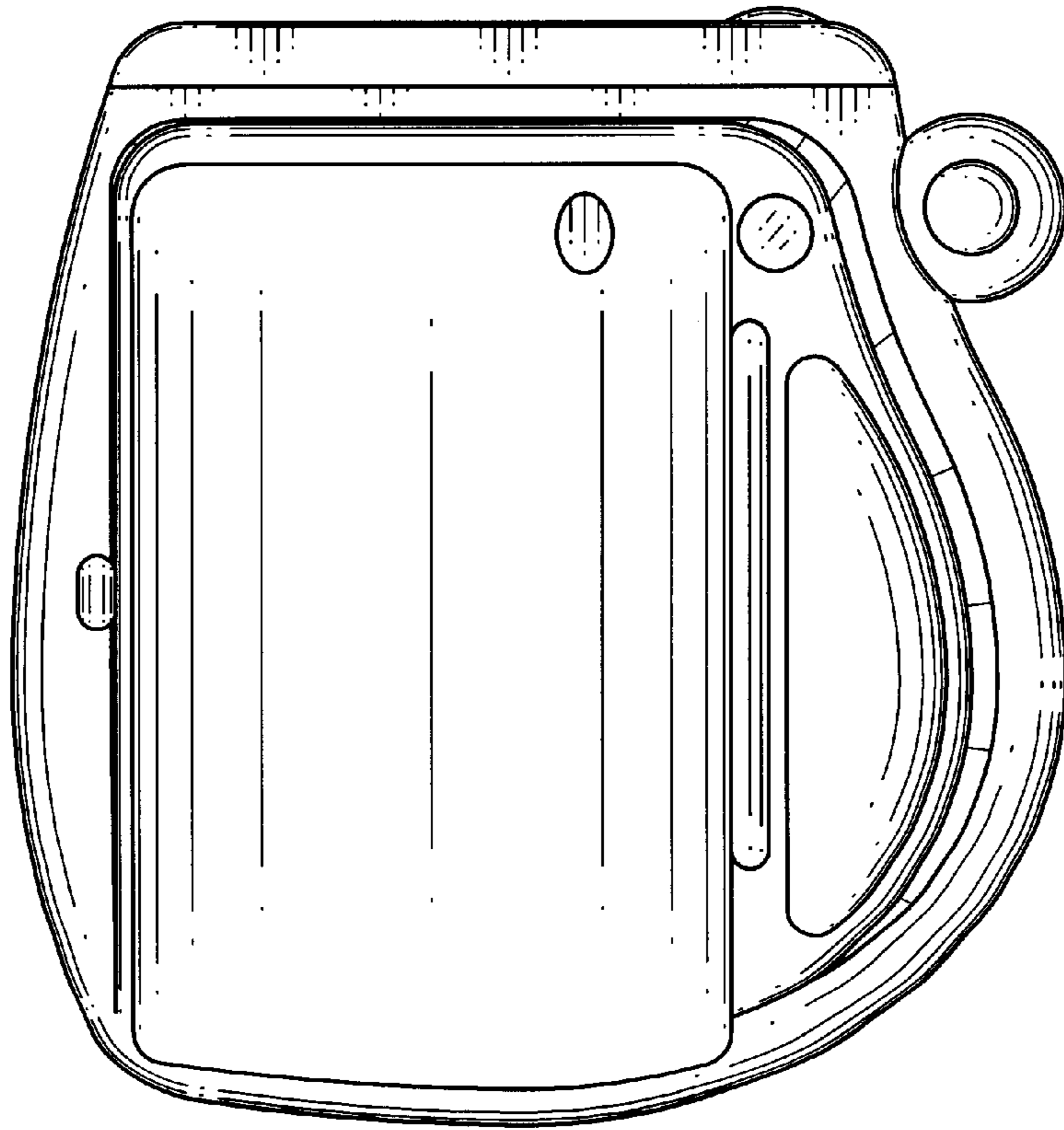


FIG. 4

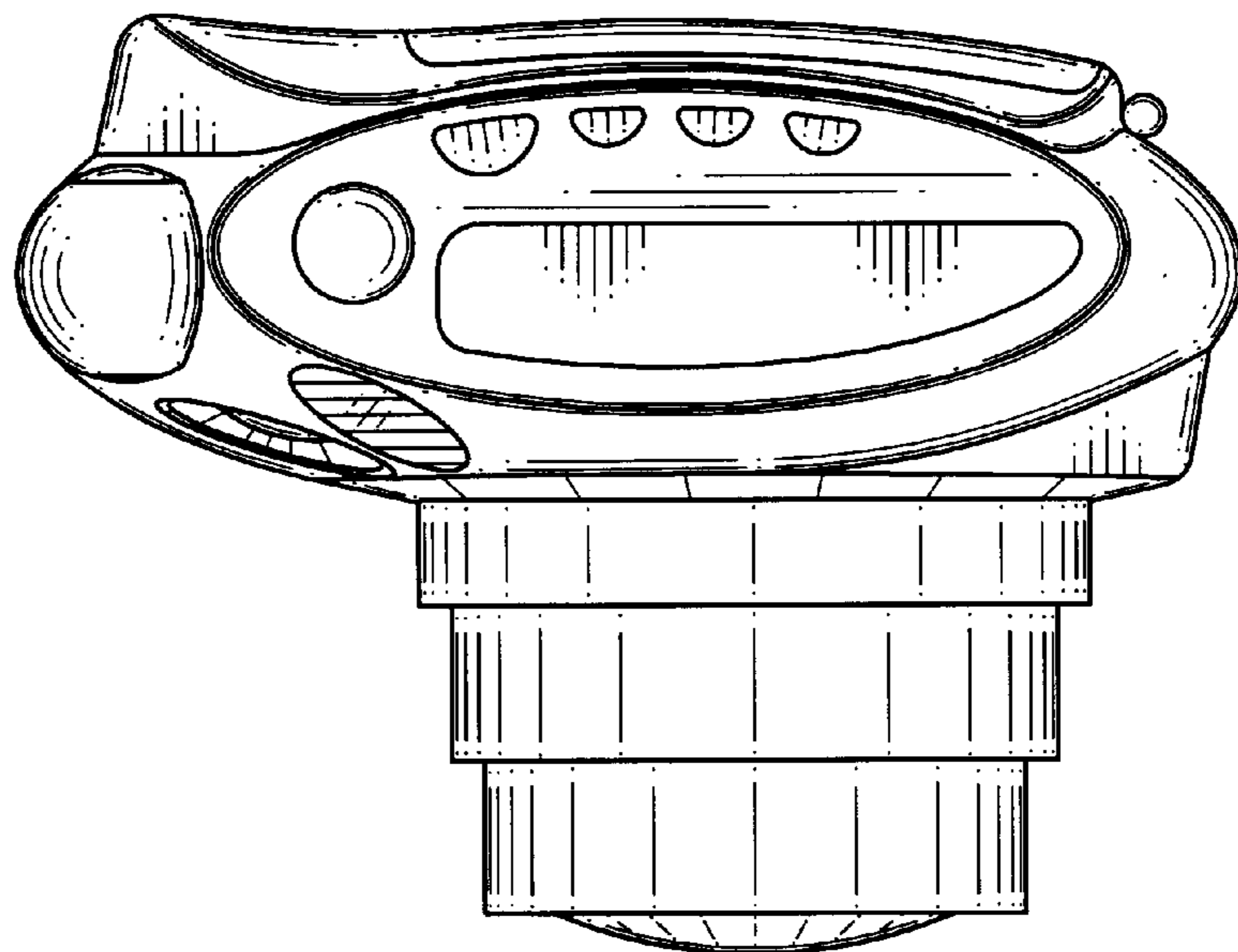


FIG. 5

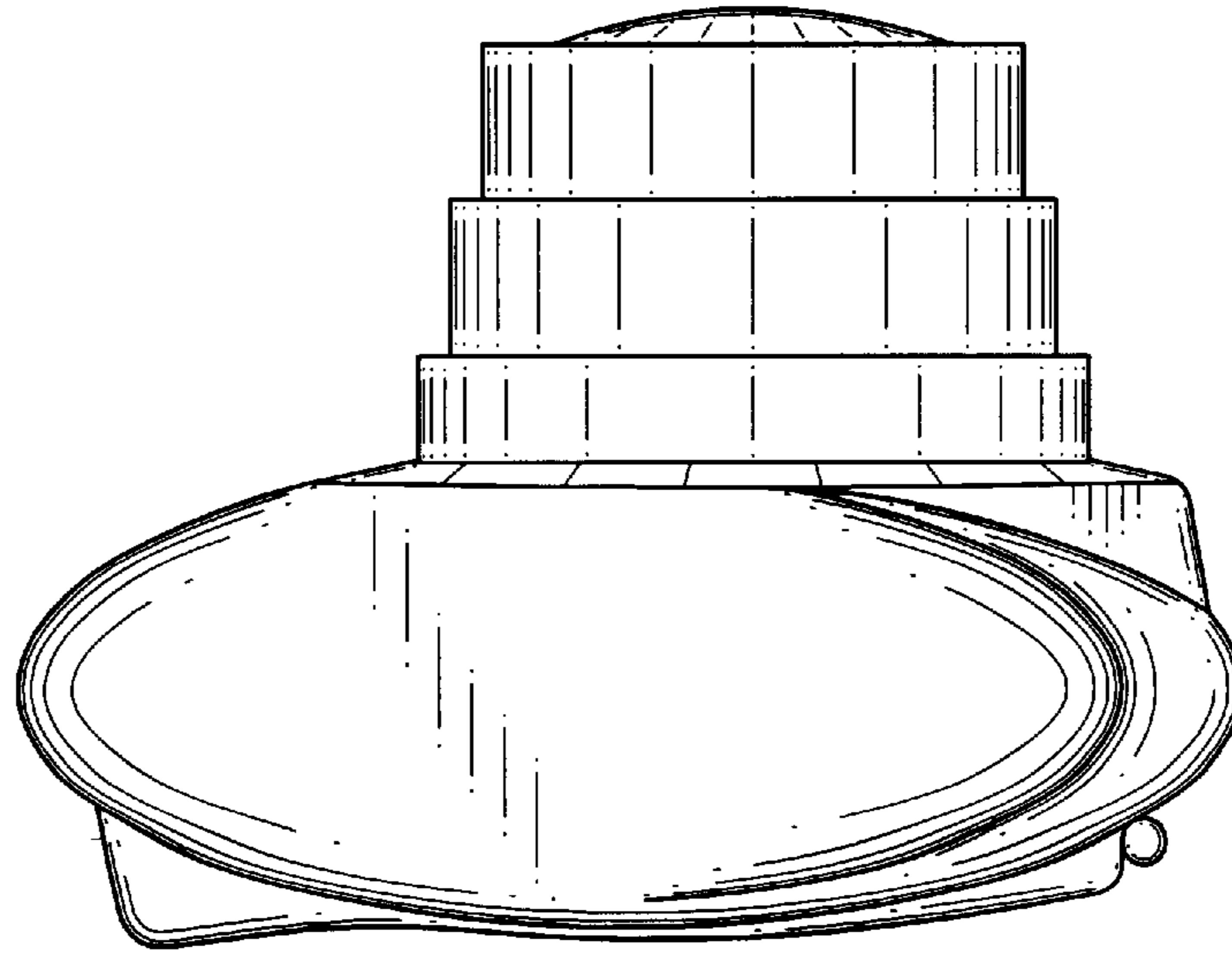


FIG. 6

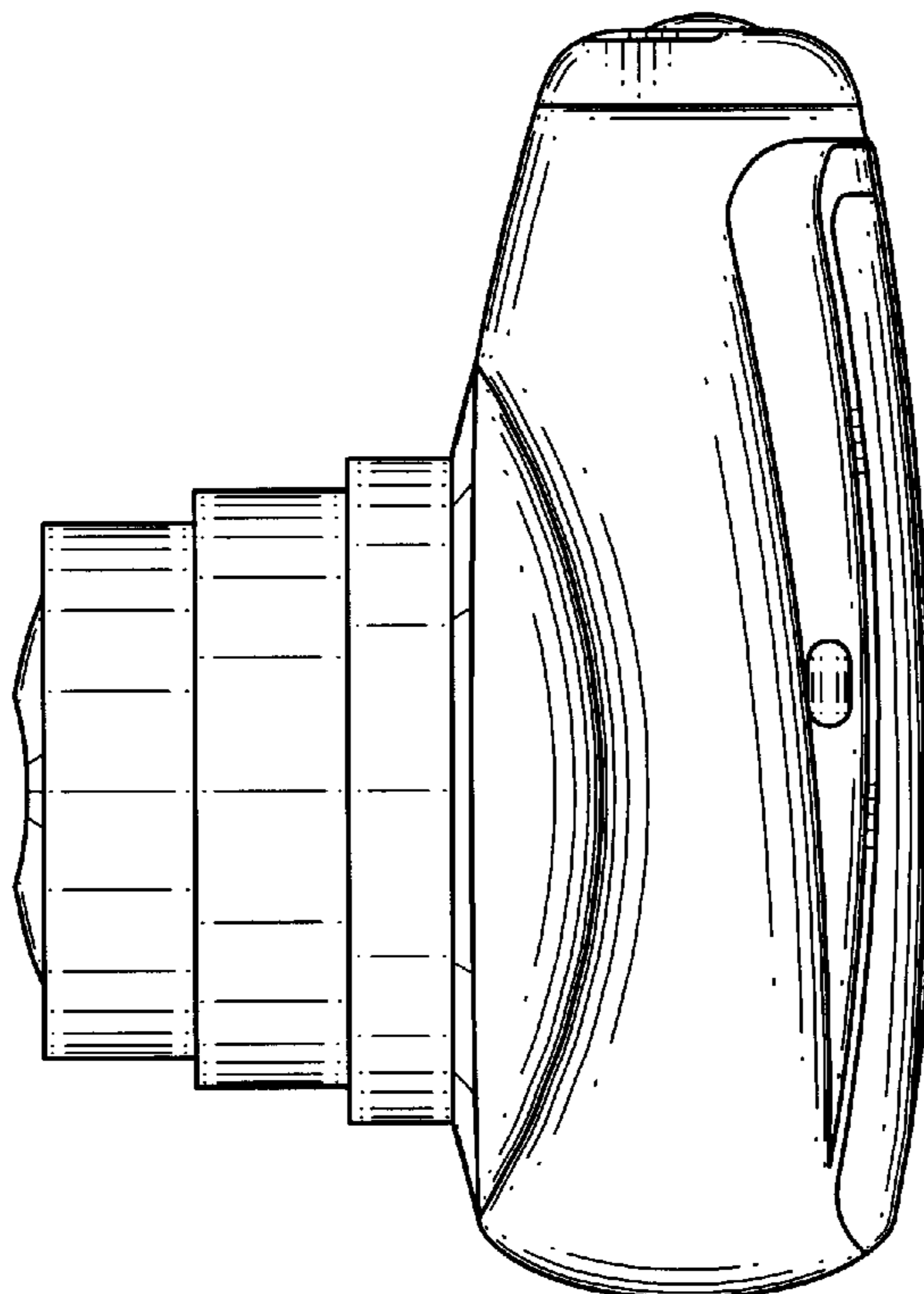


FIG. 7

