



US00D447503B1

(12) **United States Design Patent**
Horikiri

(10) **Patent No.:** **US D447,503 S**

(45) **Date of Patent:** **** Sep. 4, 2001**

(54) **INSTANT CAMERA**

3,695,755 * 10/1972 Egnaczak 396/33
5,649,251 * 7/1997 Suzuki et al. 396/341

(75) Inventor: **Kazuhisa Horikiri**, Tokyo (JP)

* cited by examiner

(73) Assignee: **Fuji Photo Film Co., Ltd.**, Kanagawa (JP)

Primary Examiner—Adir Aronovich
(74) *Attorney, Agent, or Firm*—Young & Thompson

(**) Term: **14 Years**

(57) **CLAIM**

(21) Appl. No.: **29/136,066**

The ornamental design for an instant camera, as shown and described.

(22) Filed: **Jan. 25, 2001**

(30) **Foreign Application Priority Data**

DESCRIPTION

Jul. 25, 2000 (JP) 12-020336

FIG. 1 is a top, front and side perspective view of an instant camera showing my new design;
FIG. 2 is a front elevational view thereof;
FIG. 3 is a rear elevational view thereof;
FIG. 4 is a top plan view thereof;
FIG. 5 is a bottom plan view thereof;
FIG. 6 is a side elevational view thereof from the right of FIG. 2;
FIG. 7 is a side elevational view thereof from the left of FIG. 2; and,
FIG. 8 is a view similar to FIG. 1 but with the parts in a different position.

(51) **LOC (7) Cl.** **16-01**

(52) **U.S. Cl.** **D16/211; D16/218**

(58) **Field of Search** D16/200-206,
D16/208, 211, 213, 218; 396/6, 7, 30-36,
535-541, 348-350

(56) **References Cited**

U.S. PATENT DOCUMENTS

D. 244,685 * 6/1977 Hansen et al. D16/211
D. 348,684 * 7/1994 Shiiba D16/211
3,369,472 * 2/1968 Land D16/211

1 Claim, 4 Drawing Sheets

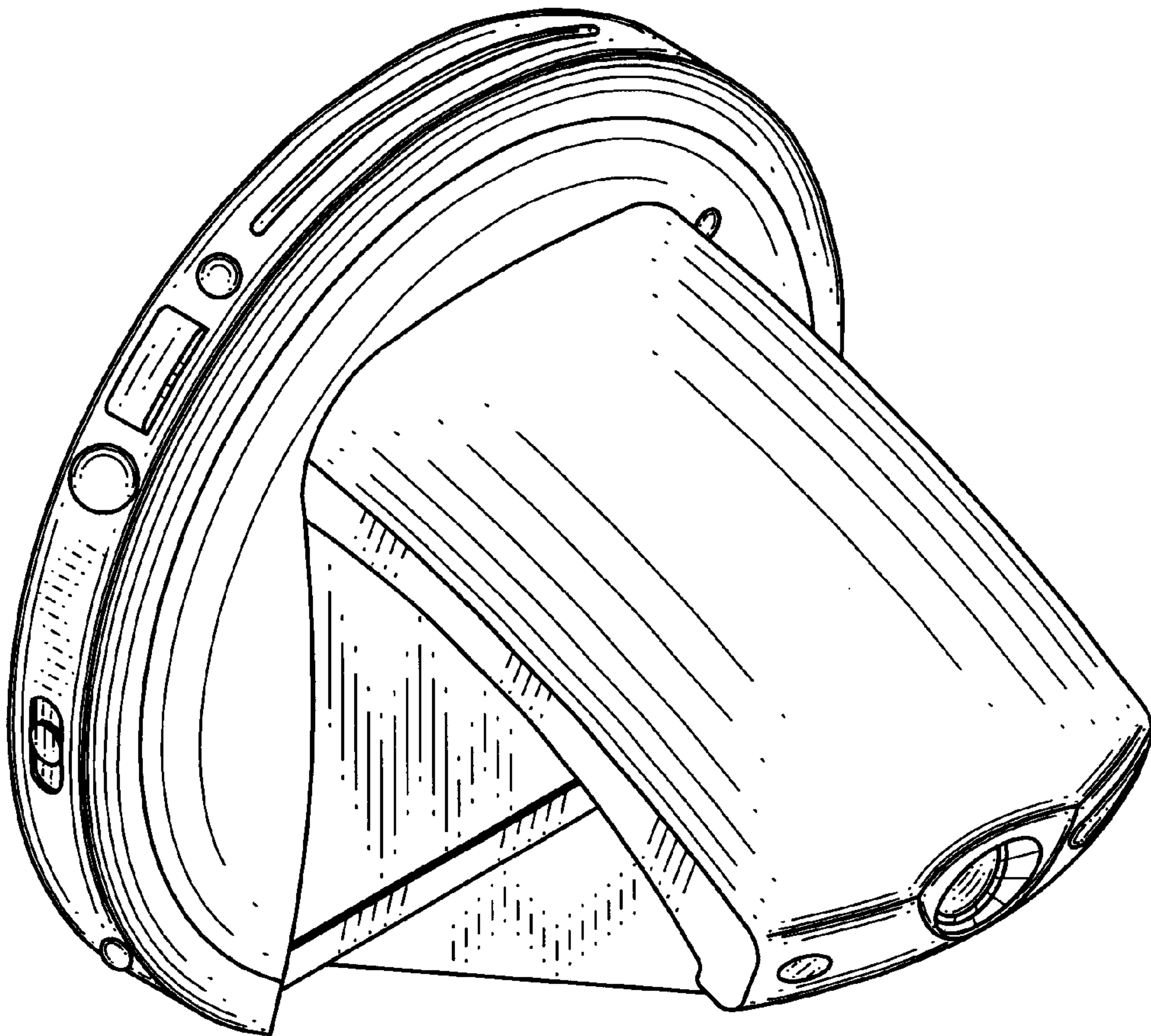


FIG. 1

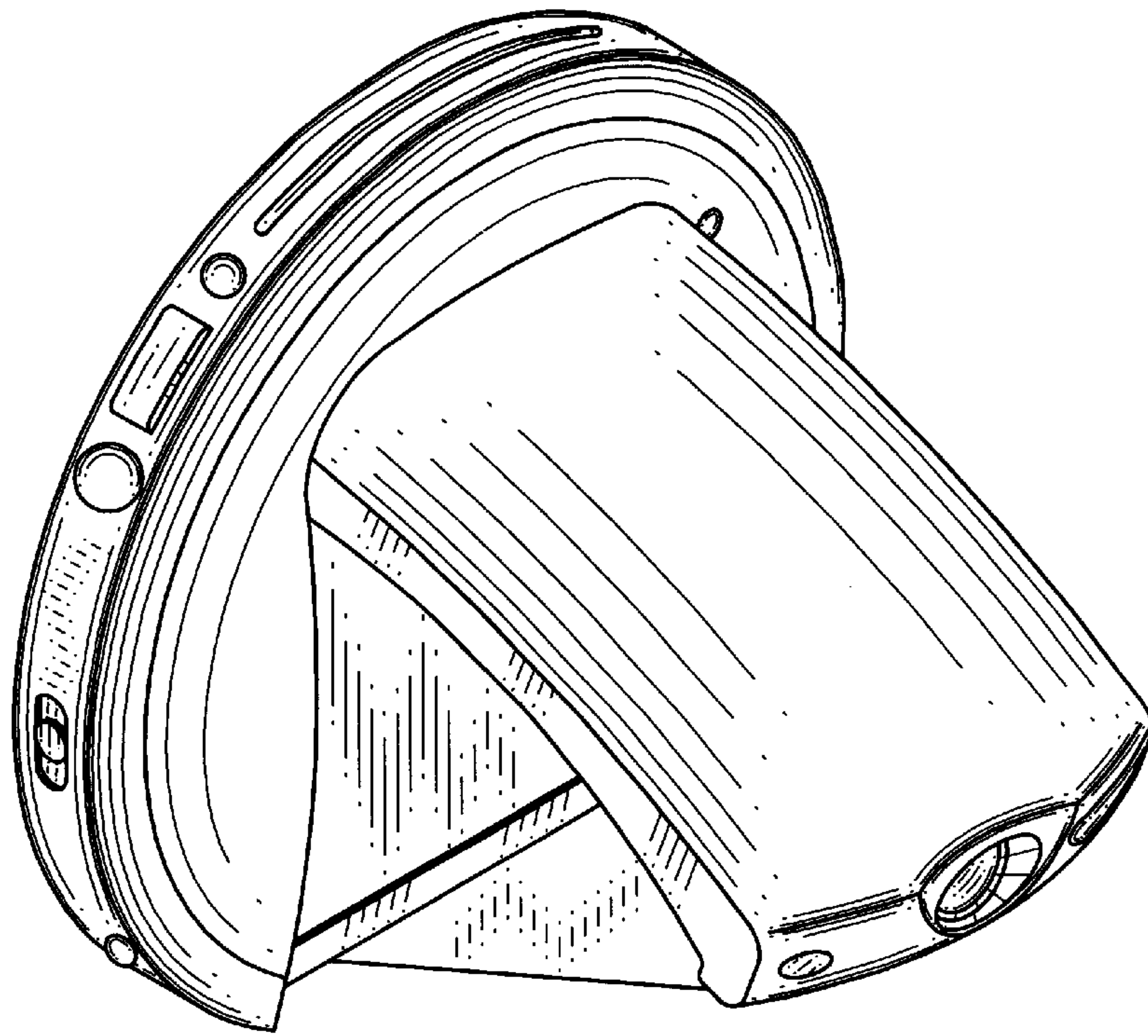


FIG. 2

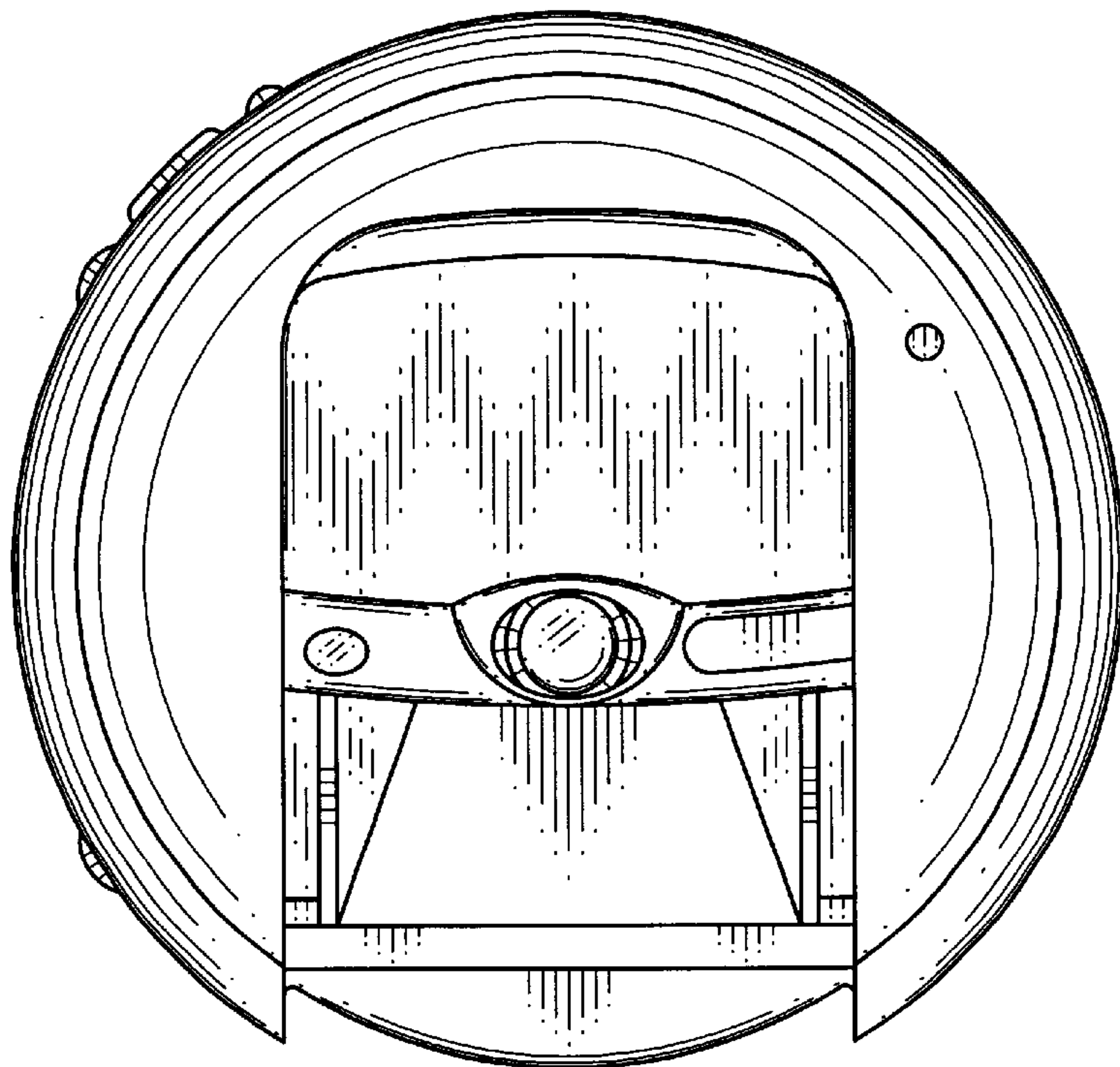


FIG. 3

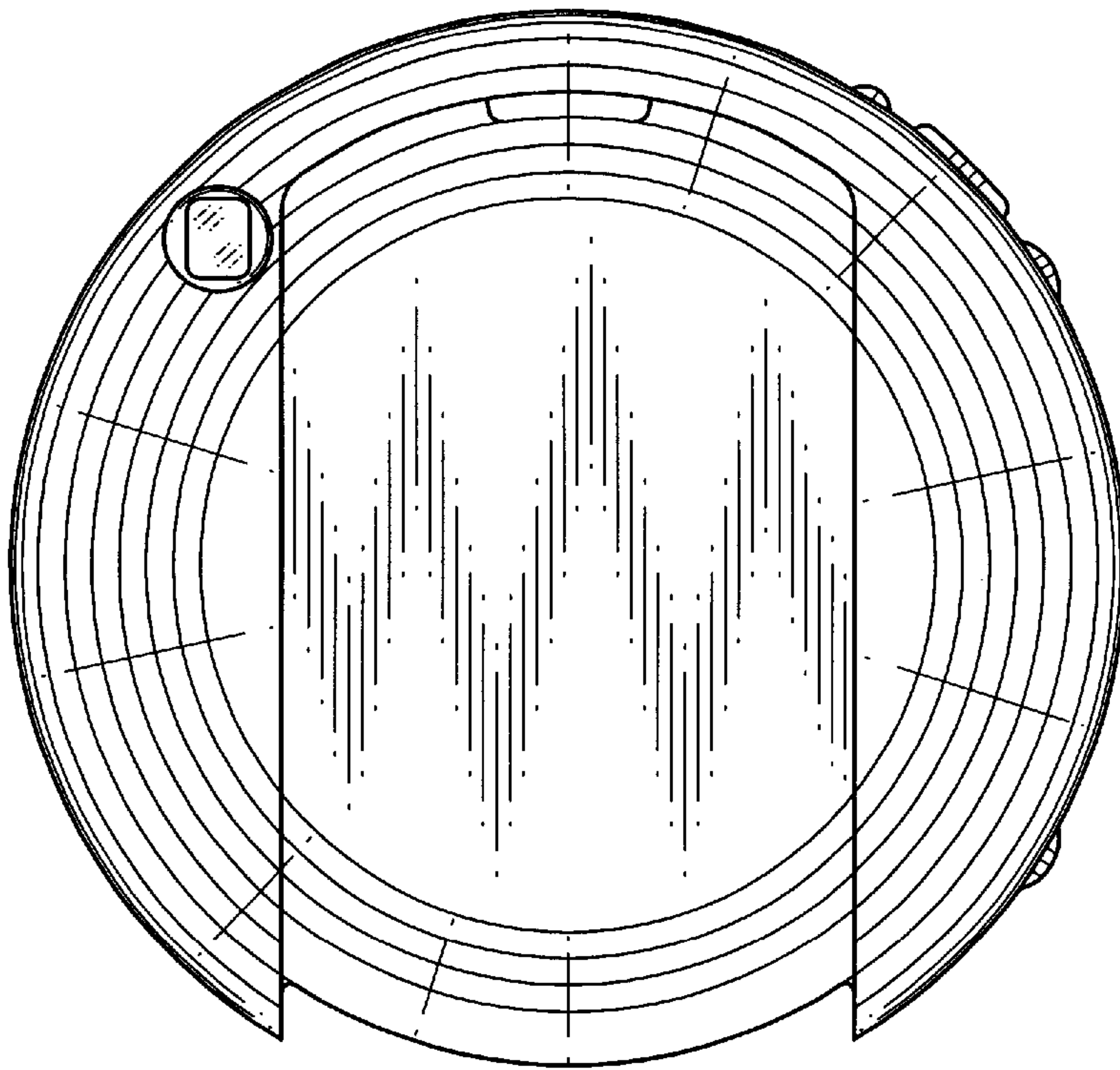


FIG. 4

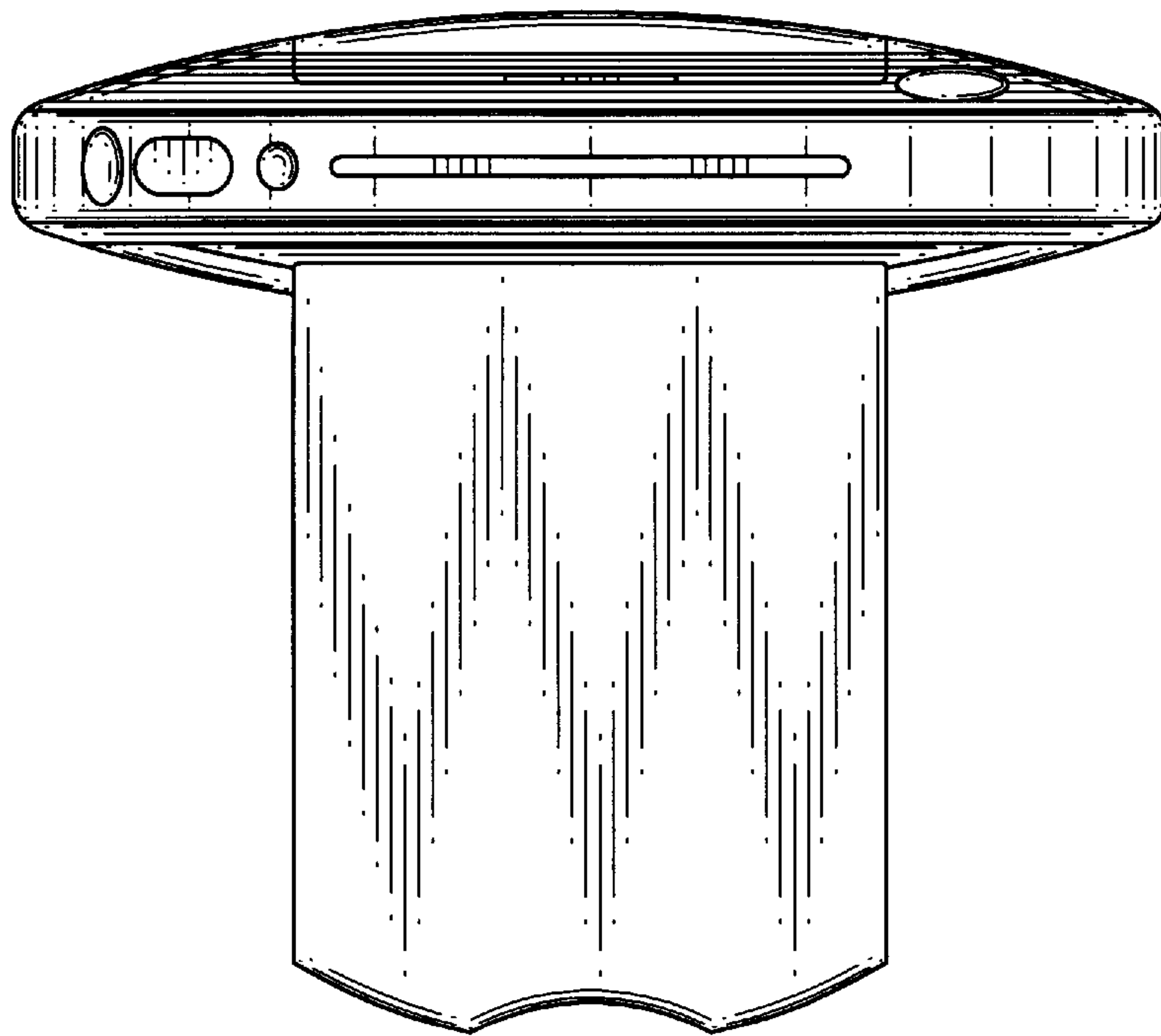


FIG. 5

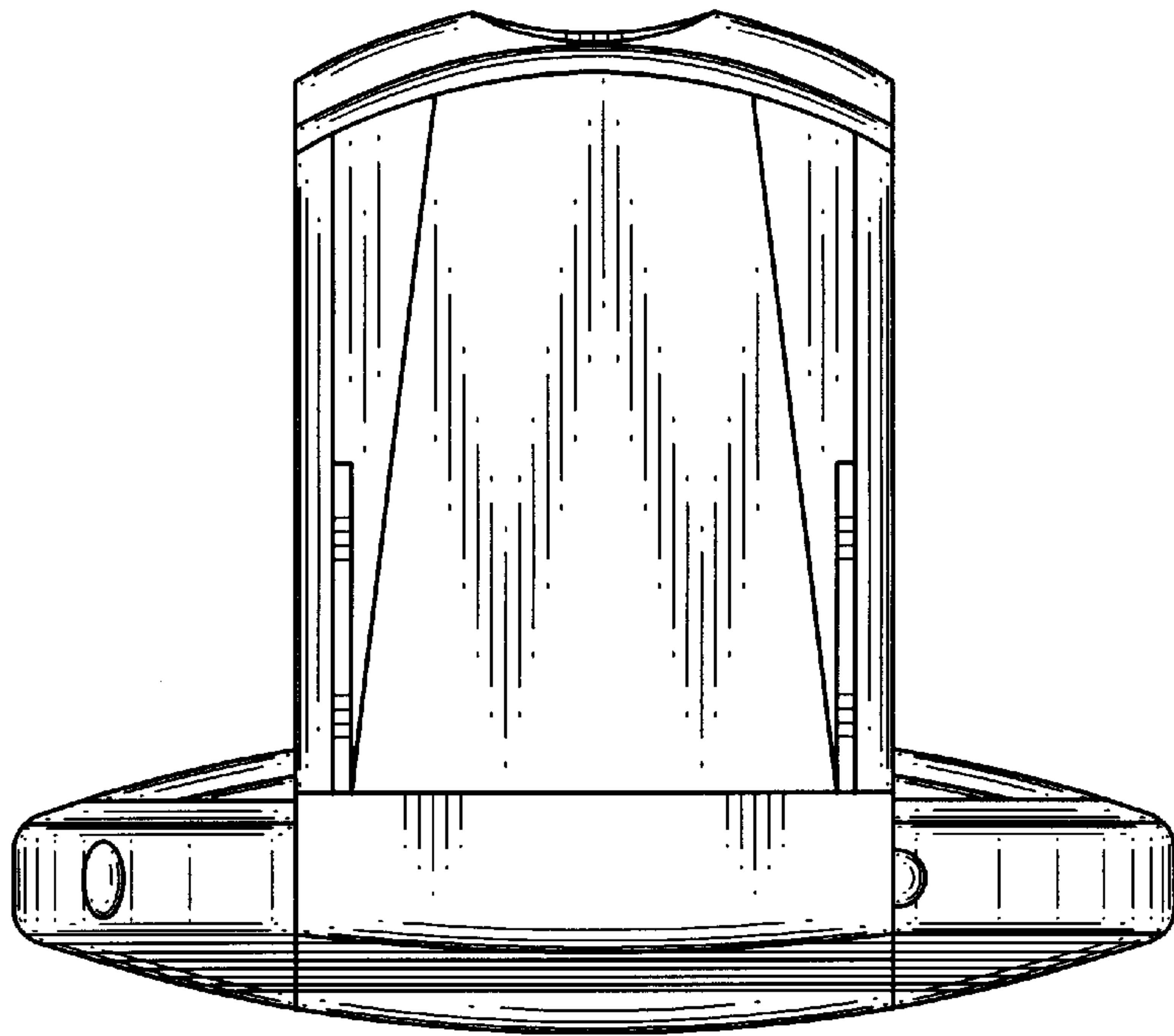


FIG. 6

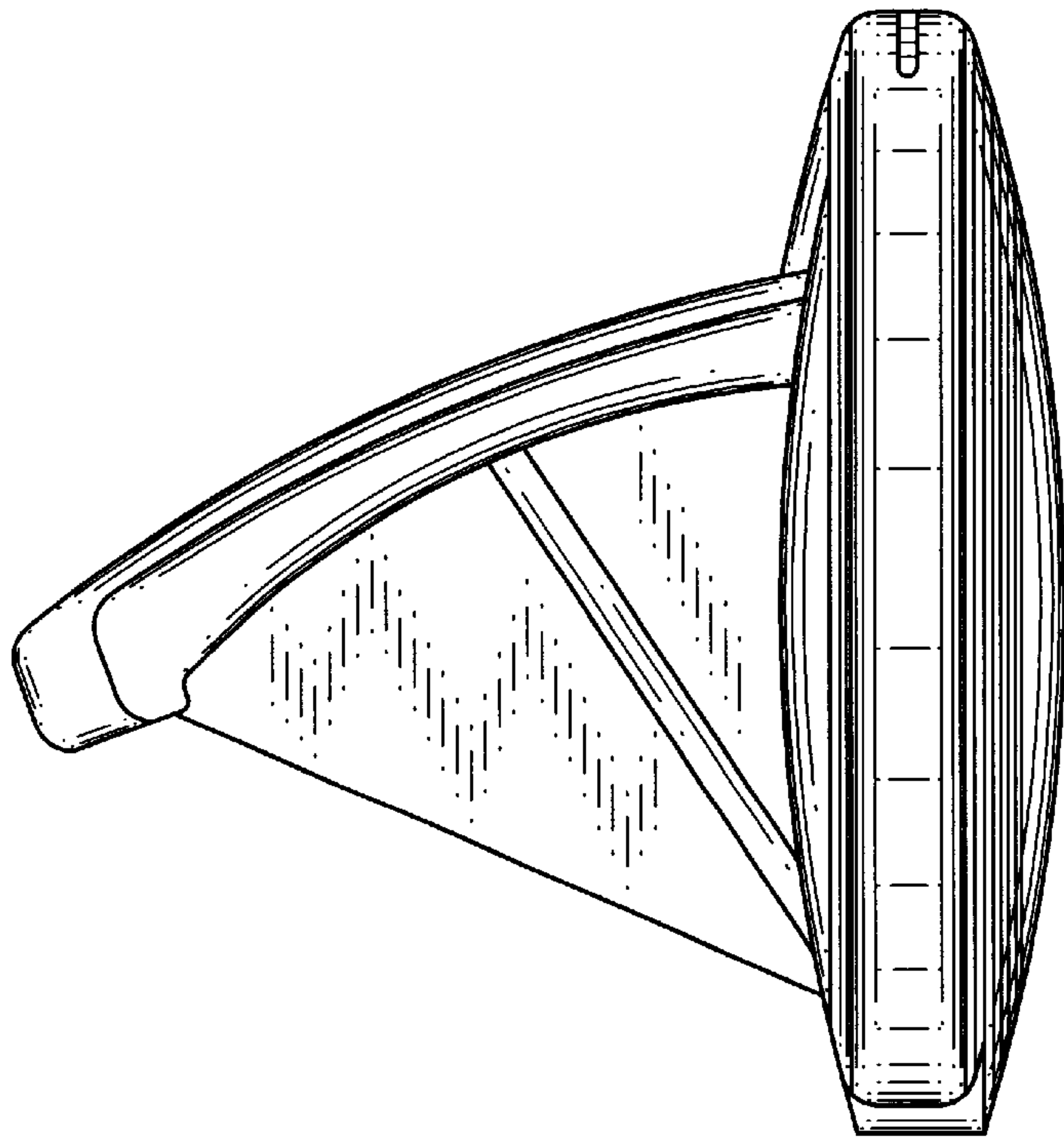


FIG. 7

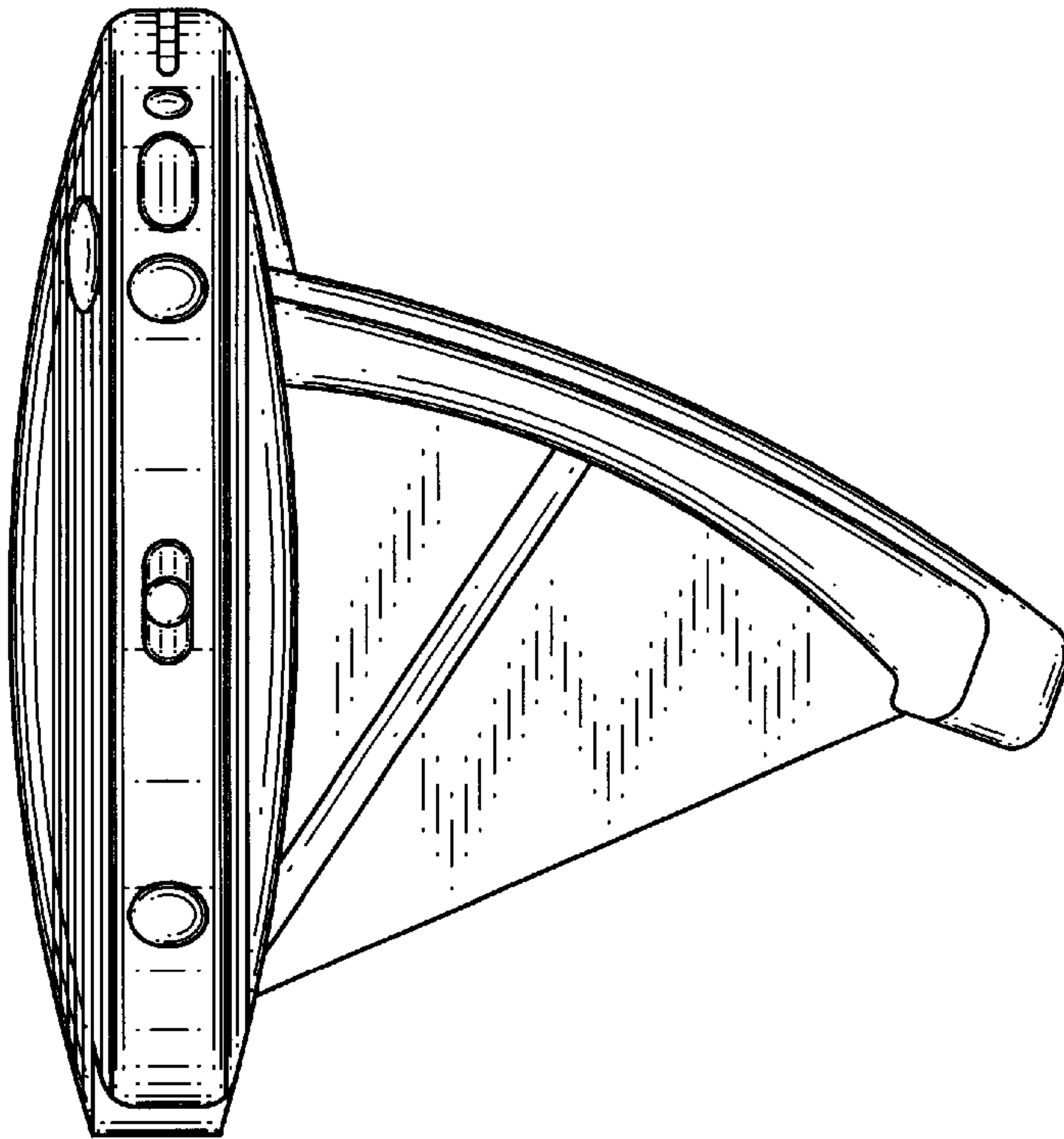


FIG. 8

