



US00D447502B1

(12) **United States Design Patent**
Schelling et al.

(10) **Patent No.:** **US D447,502 S**

(45) **Date of Patent:** **** Sep. 4, 2001**

(54) **CAMERA**

(75) Inventors: **Anna C. Schelling**, Rochester; **James G. Rydelek**, Henrietta; **Jeffrey A. Solomon**, Spencerport; **Walter A. Jakubowski**, Albion; **George A. Xanthos**, Rochester, all of NY (US)

(73) Assignee: **Eastman Kodak Company**, Rochester, NY (US)

(**) Term: **14 Years**

(21) Appl. No.: **29/126,191**

(22) Filed: **Jul. 11, 2000**

(51) **LOC (7) Cl.** **16-01**

(52) **U.S. Cl.** **D16/209; D16/218**

(58) **Field of Search** **D16/200-205, D16/208, 209, 217, 218; 396/6, 535, 536-541**

(56) **References Cited**

U.S. PATENT DOCUMENTS

D. 369,820	*	5/1996	Chapman et al.	D16/209
D. 374,881	*	10/1996	Chapman et al.	D16/209
D. 399,227	*	10/1998	Chapman et al.	D16/209
D. 404,751	*	1/1999	Takaba	D16/209
5,761,541	*	6/1998	Constable et al.	396/6
6,085,037	*	7/2000	Zawodny et al.	396/6

* cited by examiner

Primary Examiner—Adir Aronovich

(74) *Attorney, Agent, or Firm*—Roger A. Fields

(57) **CLAIM**

The ornamental design for a camera, as shown and described.

DESCRIPTION

Reference is made to commonly assigned copending applications Ser. No. 29/126,362, entitled Camera with Front and Rear Labels, filed in the names of Anna C. Schelling, James G. Rydelek, Jeffrey A. Solomon, Walter A. Jakubowski, George A. Xanthos, Anthony F. DiGaetano and Wayne R. Ingalls; Ser. No. 29/126,205, entitled Front Label for Camera, filed in the names of Anna C. Schelling, Wayne R. Ingalls, James G. Rydelek, and Anthony F. DiGaetano; and Ser. No. 29/126,206, entitled Rear Label for Camera, filed in the names of Anna C. Schelling, Wayne R. Ingalls, James G. Rydelek, and Anthony F. DiGaetano.

FIG. 1 is a front, top, right-side, perspective view of a camera, showing our new design;

FIG. 2 is a rear, bottom, left-side, perspective view thereof;

FIG. 3 is a front elevation view thereof;

FIG. 4 is a rear elevation view thereof;

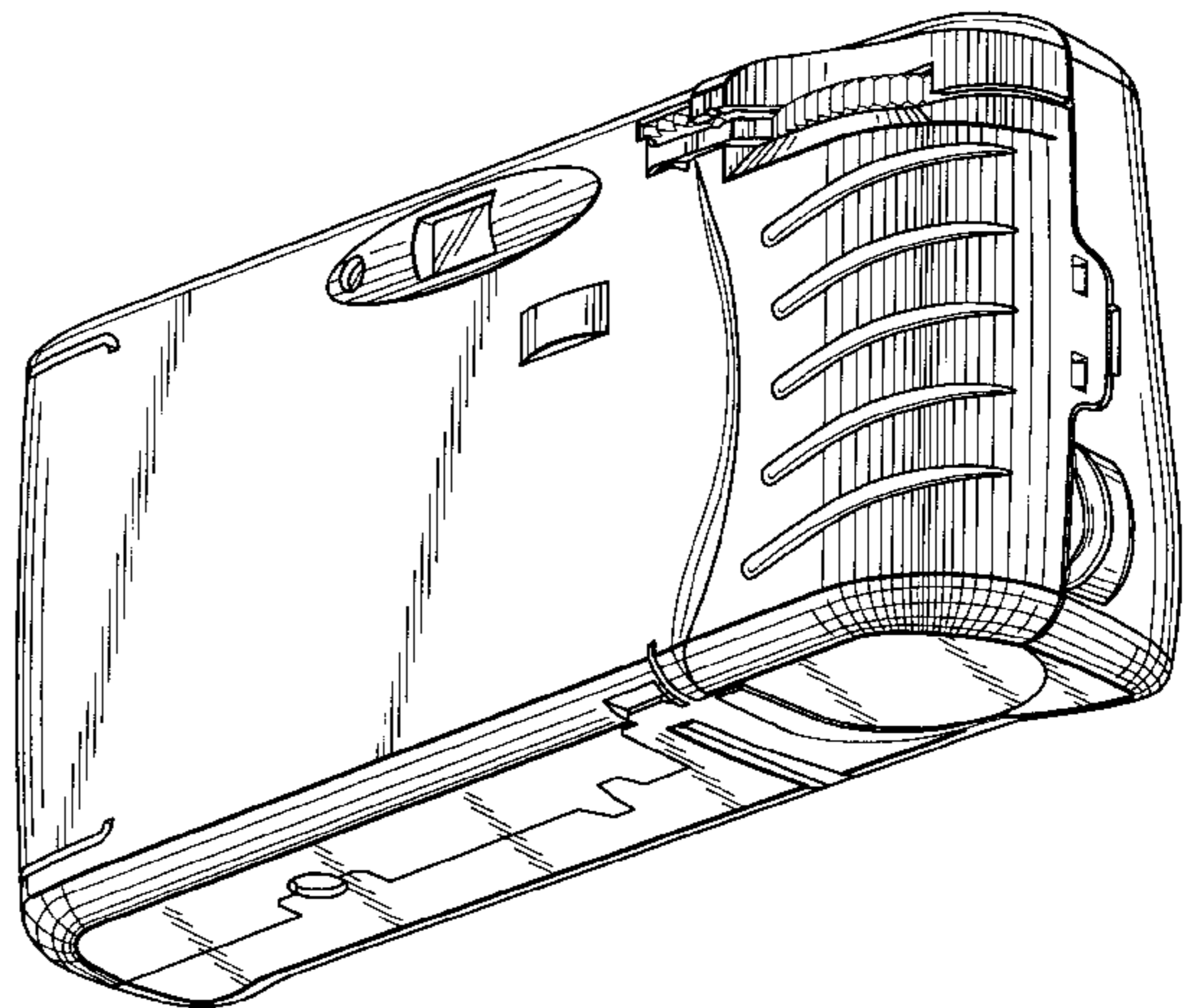
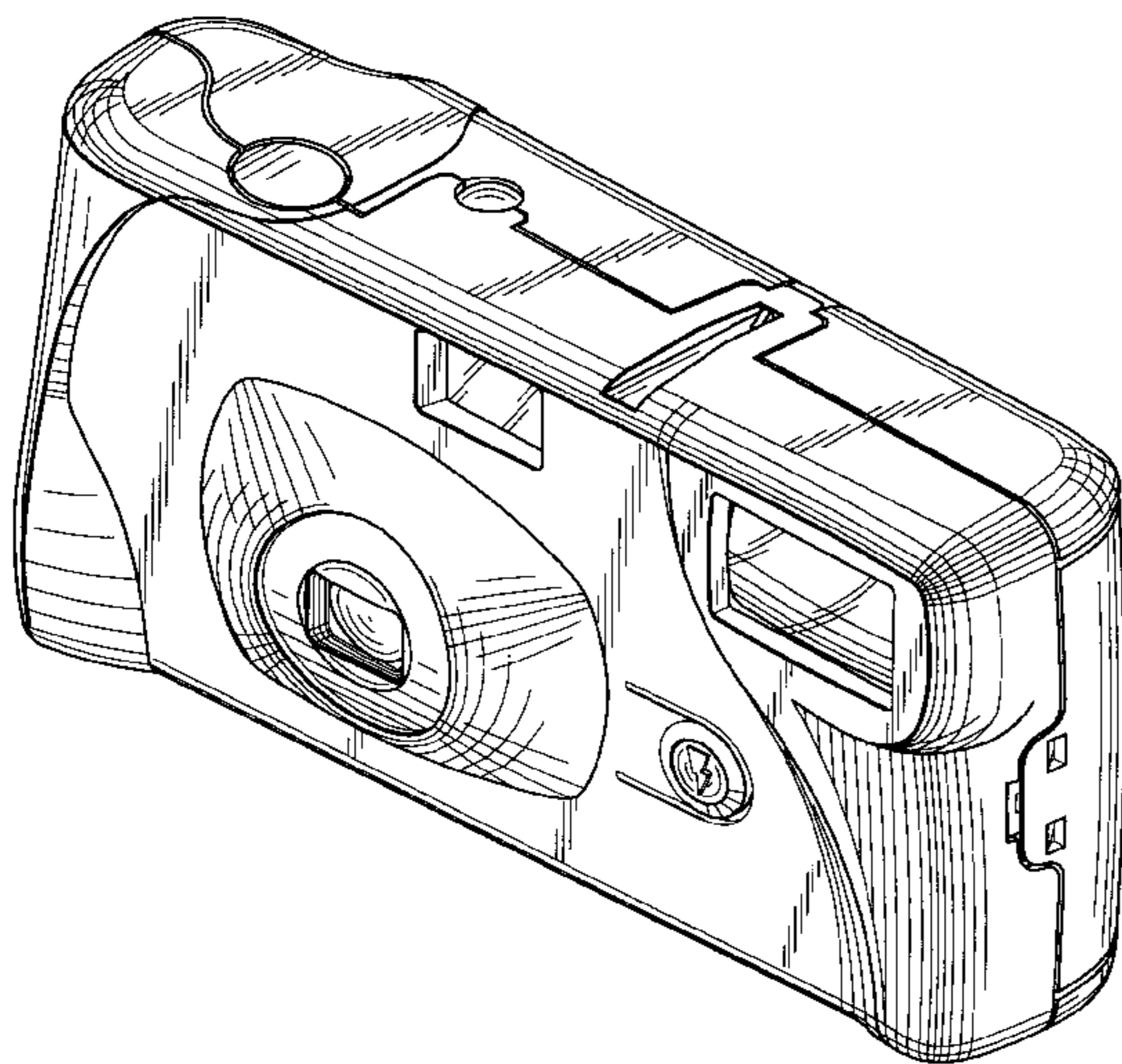
FIG. 5 is a top plan view thereof;

FIG. 6 is a bottom plan view thereof;

FIG. 7 is a right-side elevation view thereof; and,

FIG. 8 is a left-side elevation view thereof.

1 Claim, 8 Drawing Sheets



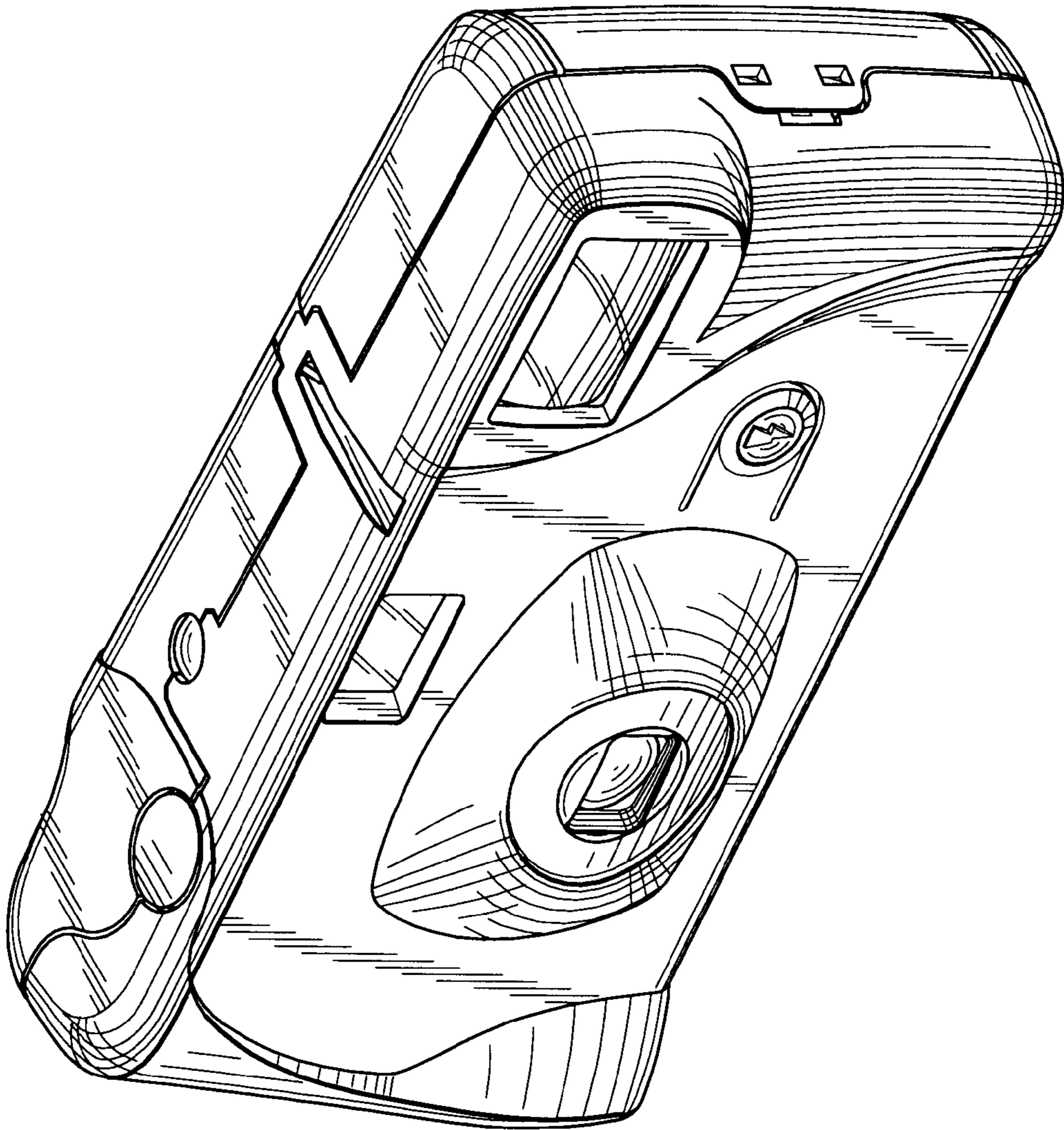


FIG. 1

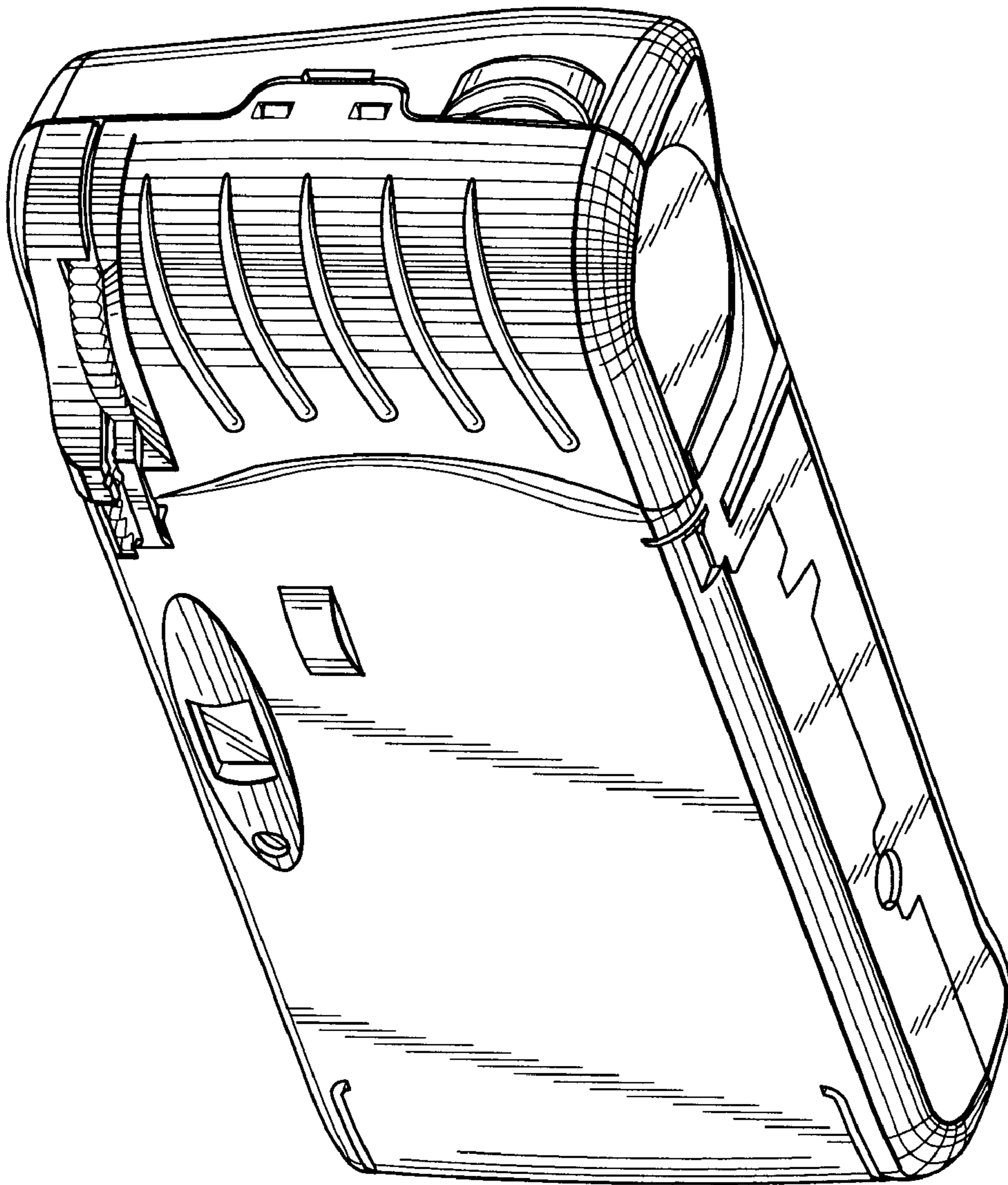


FIG. 2

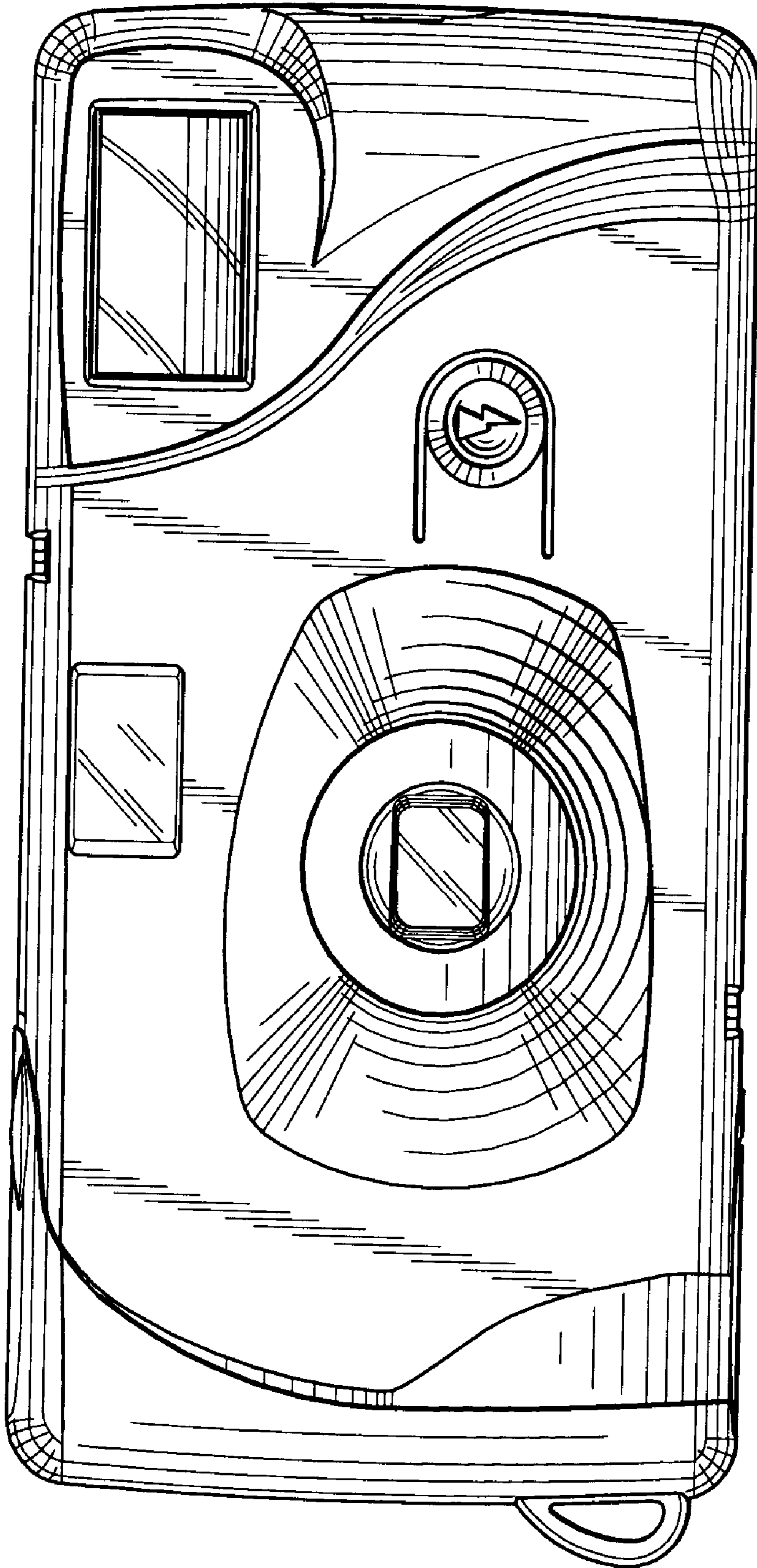


FIG. 3

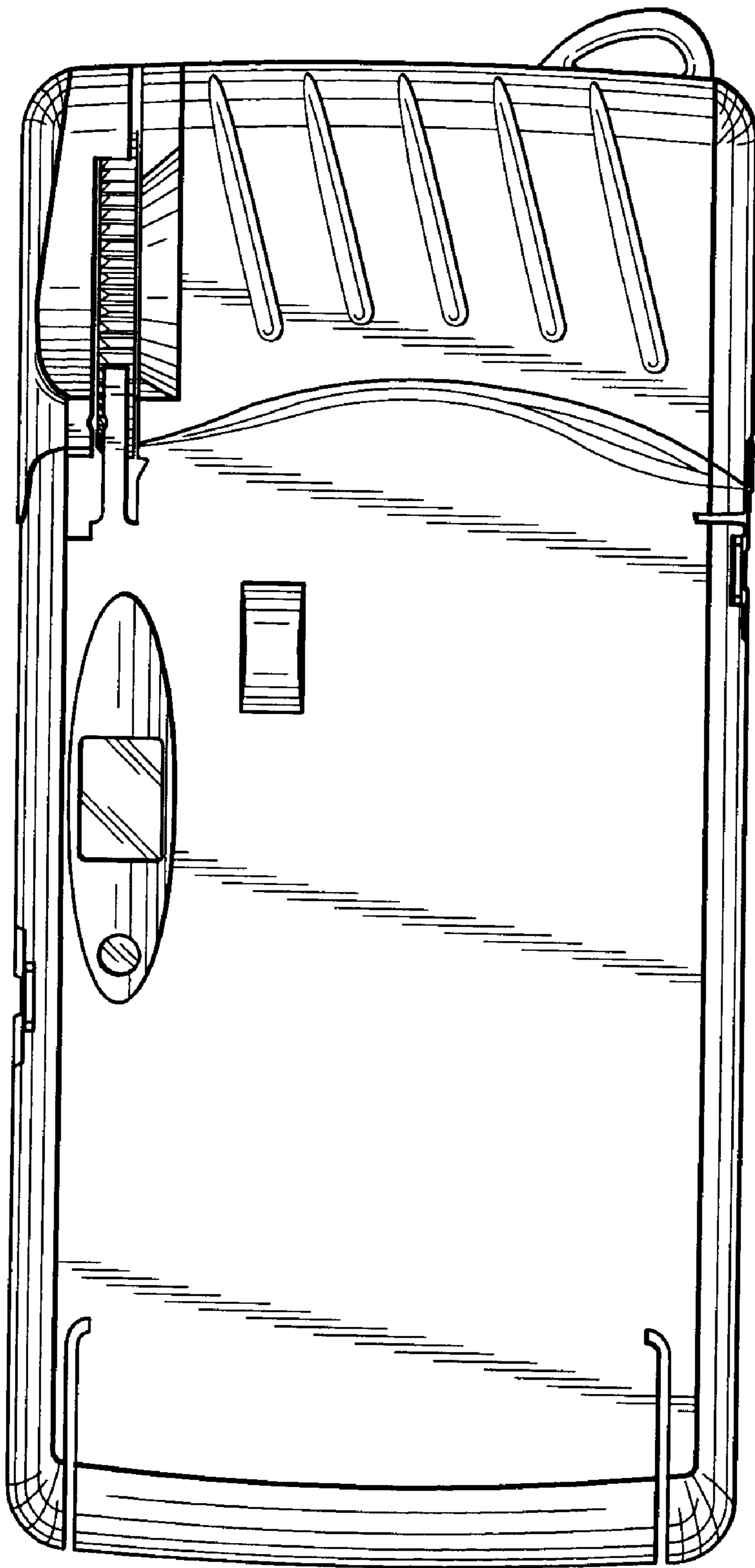


FIG. 4

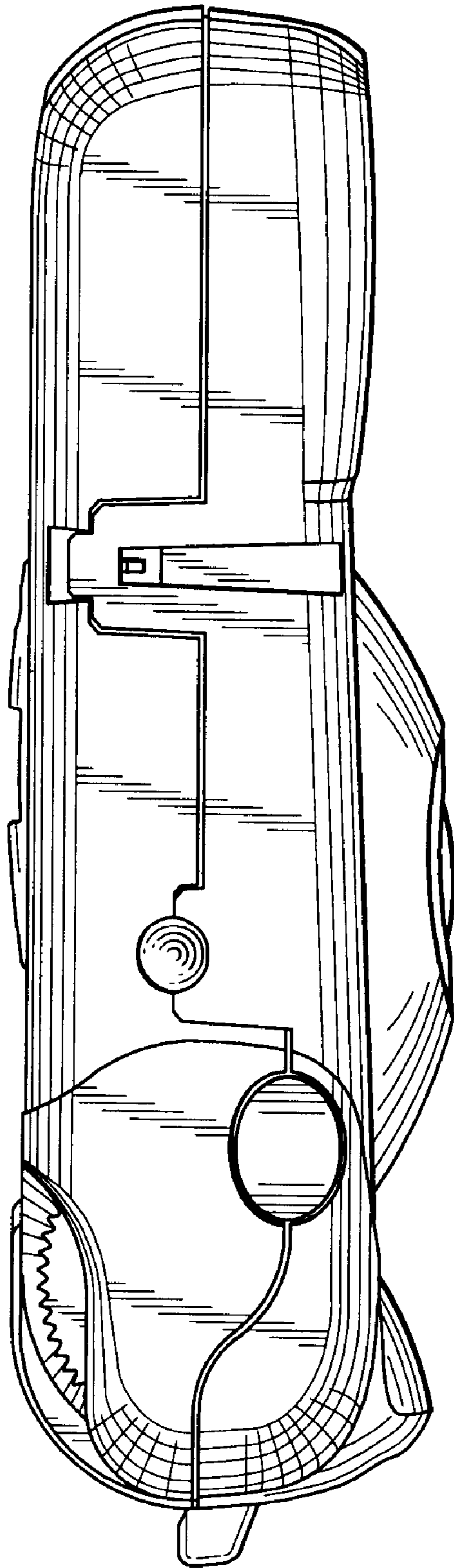


FIG. 5

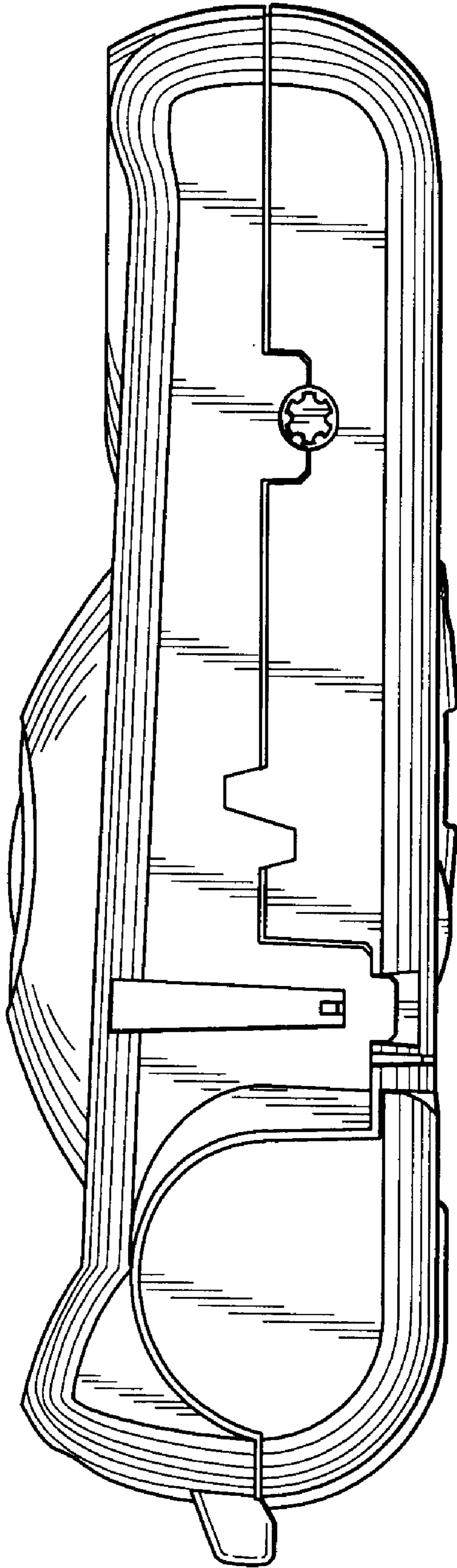


FIG. 6

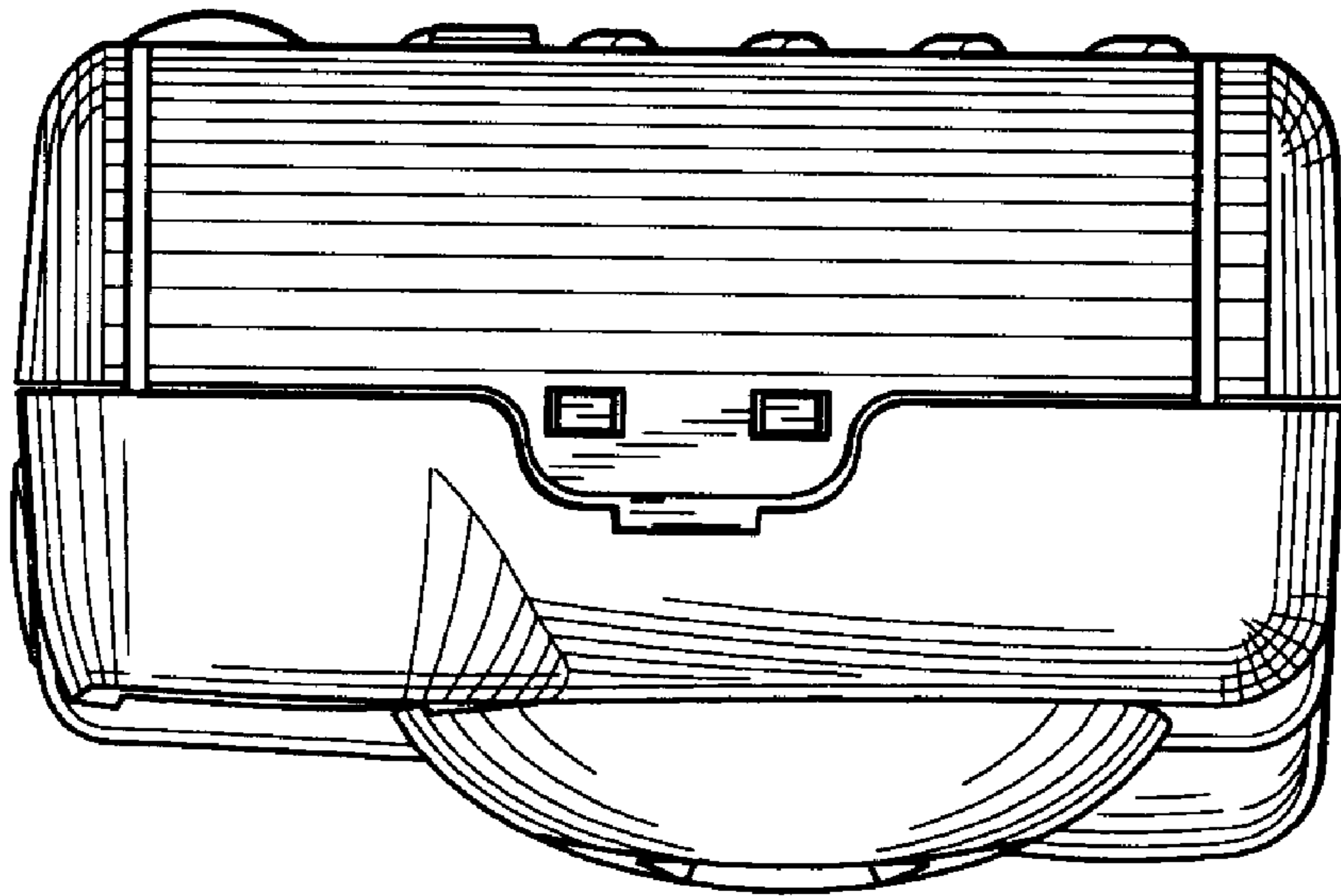


FIG. 7

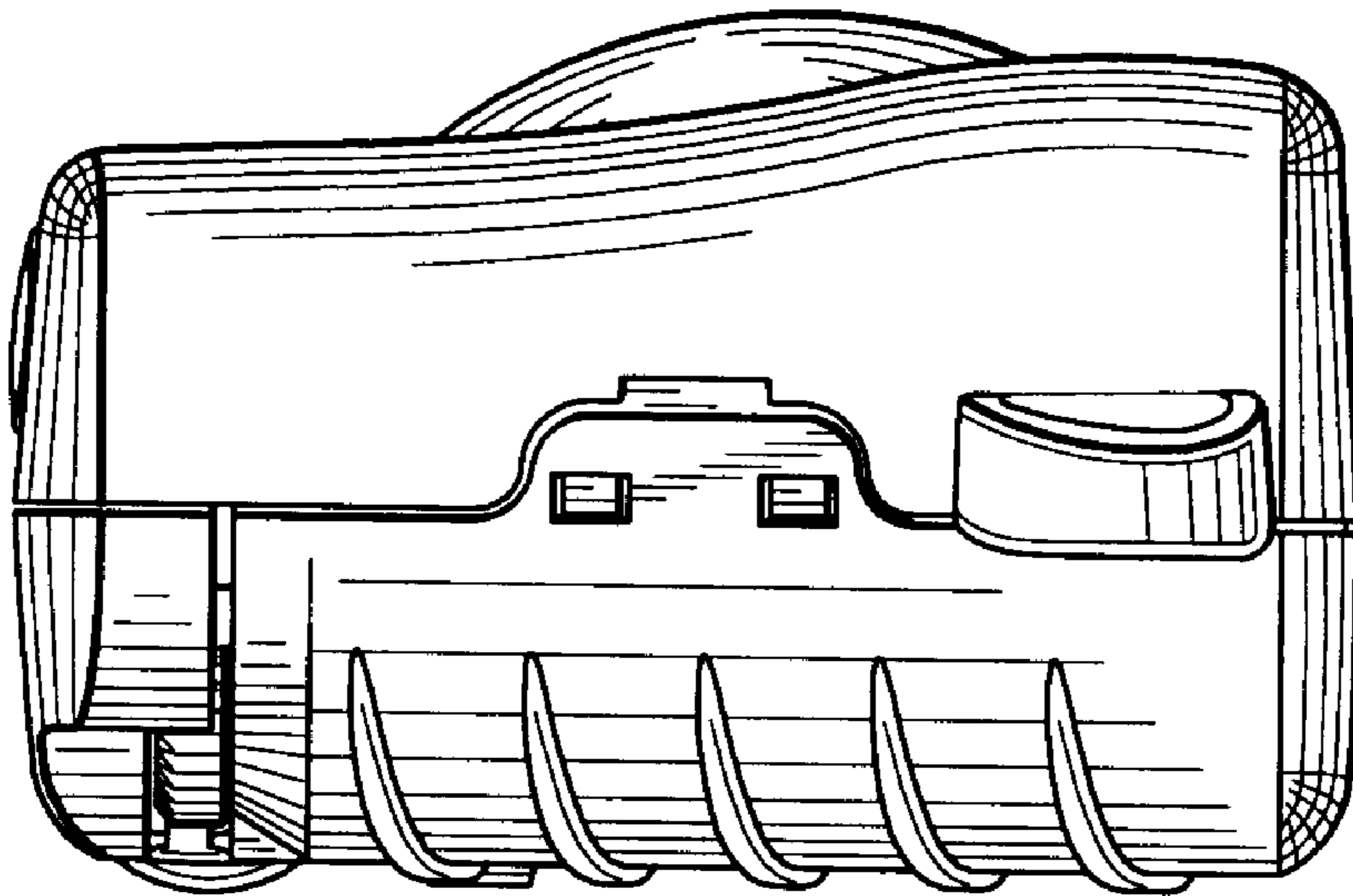


FIG. 8