



US00D447501B1

(12) **United States Design Patent**  
**Mizoguchi et al.**

(10) **Patent No.:** **US D447,501 S**

(45) **Date of Patent:** **\*\* Sep. 4, 2001**

(54) **CAMERA**

(75) Inventors: **Shuri Mizoguchi**, Tokyo; **Hiroshi Kibayashi**, Saitama, both of (JP)

(73) Assignee: **Konica Corporation**, Tokyo (JP)

(\*) Notice: This patent is subject to a terminal disclaimer.

(\*\*) Term: **14 Years**

(21) Appl. No.: **29/124,934**

(22) Filed: **Jun. 14, 2000**

(30) **Foreign Application Priority Data**

Dec. 14, 1999 (JP) ..... 11-34365

(51) **LOC (7) Cl.** ..... **16-01**

(52) **U.S. Cl.** ..... **D16/209; D16/218**

(58) **Field of Search** ..... **D16/200-205, D16/208, 209, 217, 218; 396/535-541**

(56) **References Cited**

**U.S. PATENT DOCUMENTS**

D. 404,751 \* 1/1999 Takaba ..... D16/209

D. 409,215 \* 5/1999 Nihei et al. .... D16/209  
D. 415,512 \* 10/1999 Takaba ..... D16/209  
D. 427,619 \* 7/2000 Mizoguchi et al. .... D16/209  
D. 430,889 \* 9/2000 Nihei ..... D16/209  
5,581,321 \* 12/1996 Boyd ..... 396/535

\* cited by examiner

*Primary Examiner*—Adir Aronovich

(74) *Attorney, Agent, or Firm*—Frishauf, Holtz, Goodman, Langer & Chick, P.C.

(57) **CLAIM**

The ornamental design for a camera, as shown.

**DESCRIPTION**

FIG. 1 is a front elevational view of a camera, showing our new design;

FIG. 2 is a rear elevational view thereof;

FIG. 3 is a right side elevational view thereof;

FIG. 4 is a left side elevational view thereof;

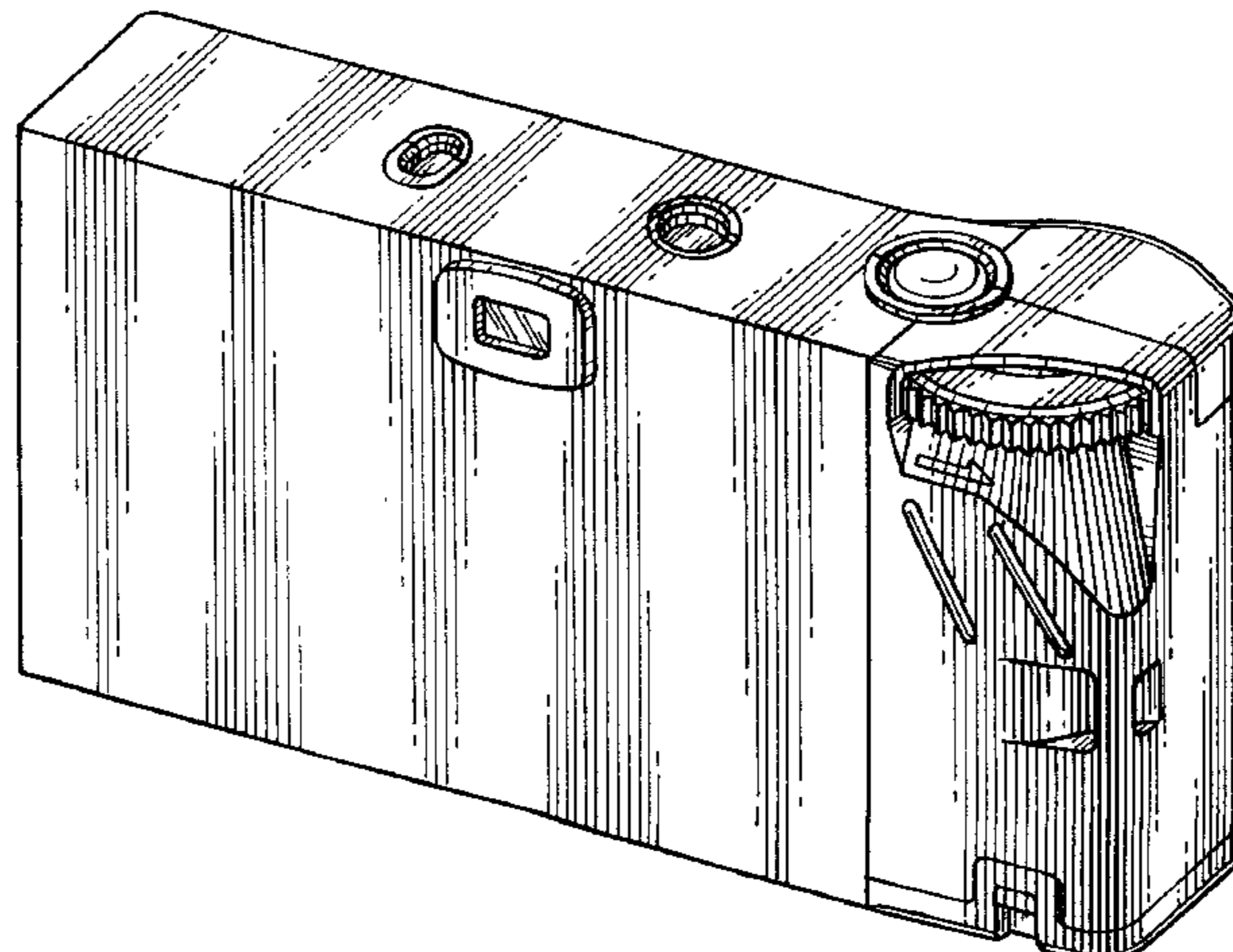
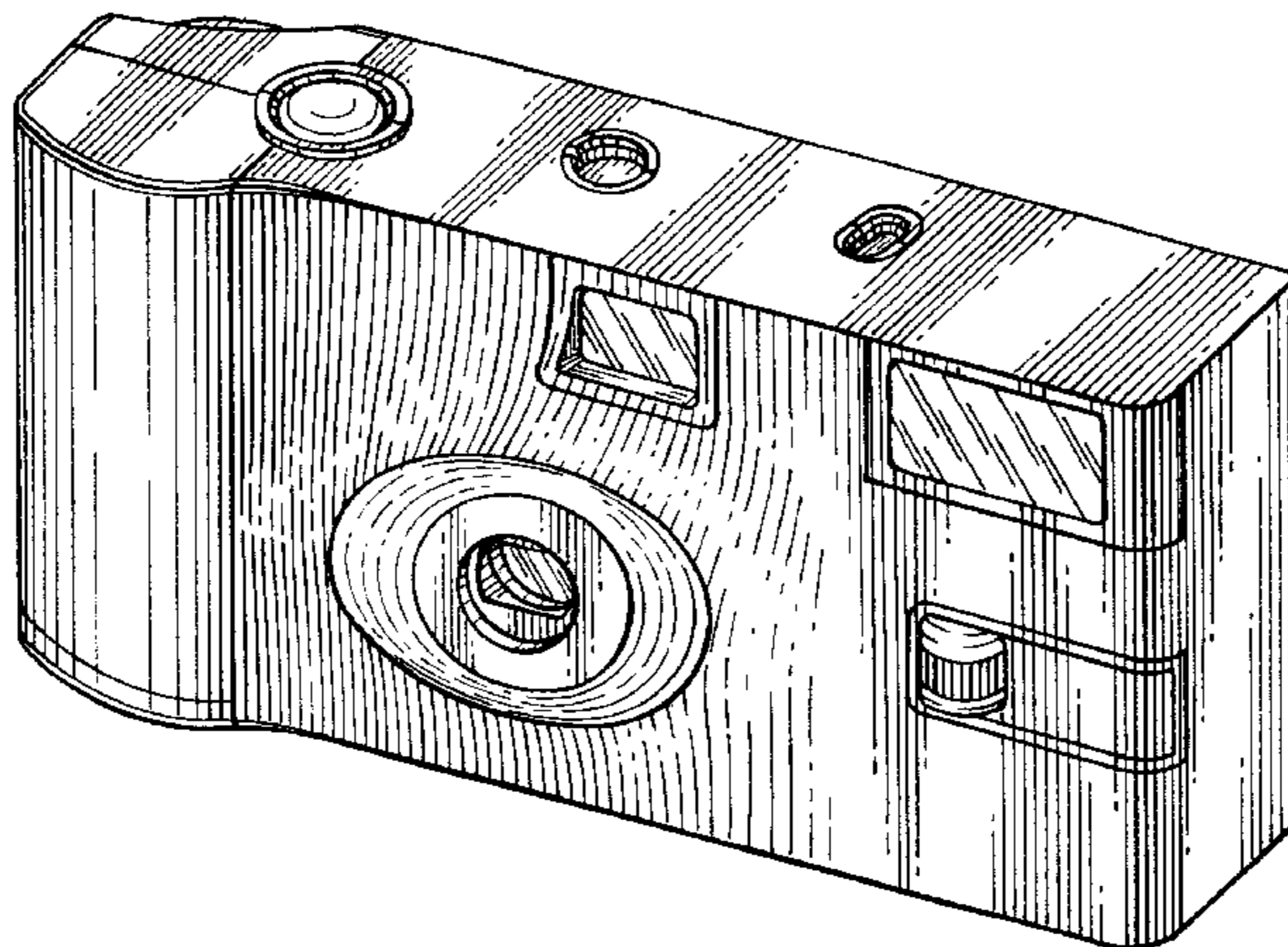
FIG. 5 is a top plan view thereof;

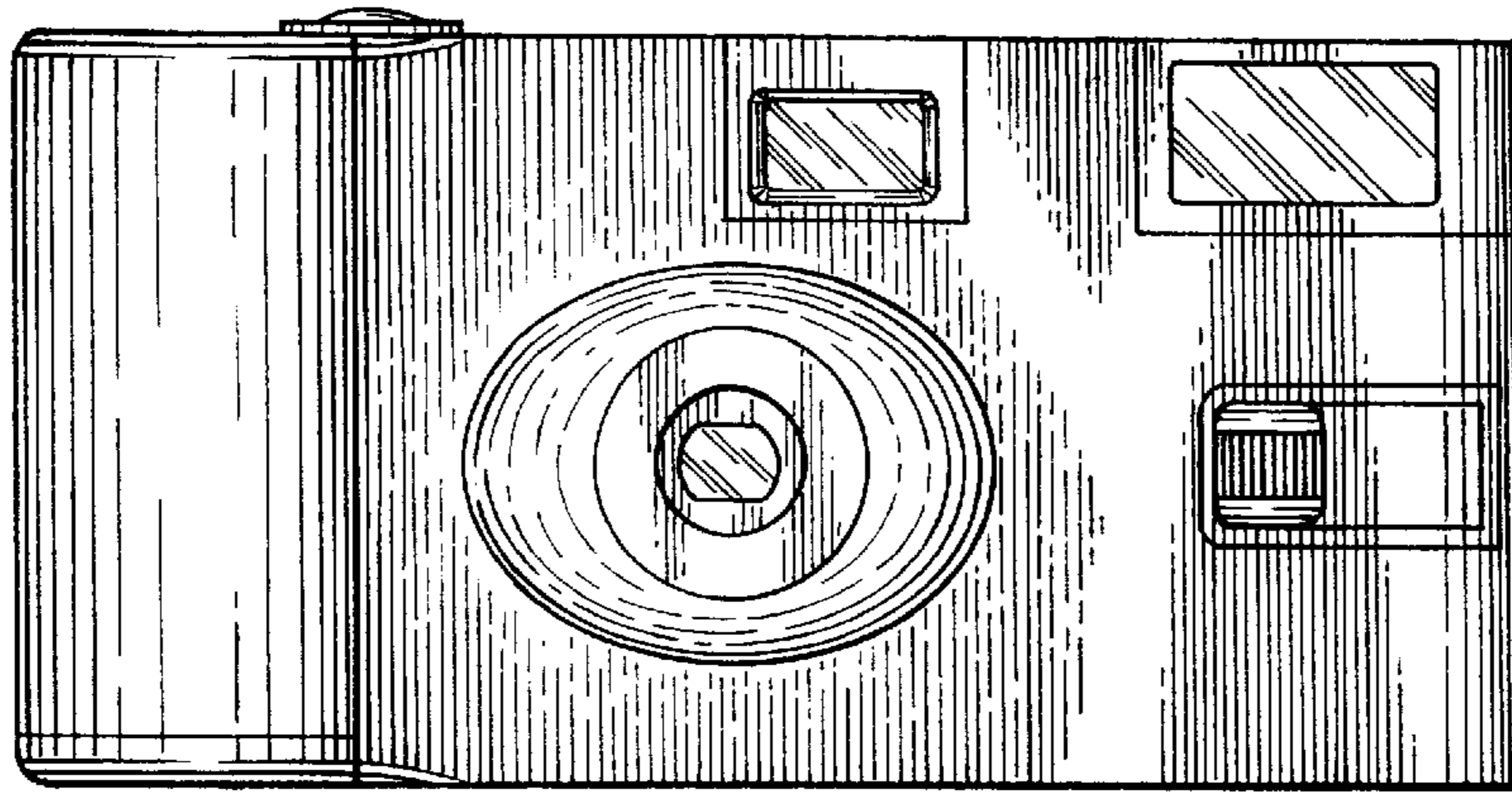
FIG. 6 is a bottom plan view thereof;

FIG. 7 is a right-side, top perspective view thereof; and,

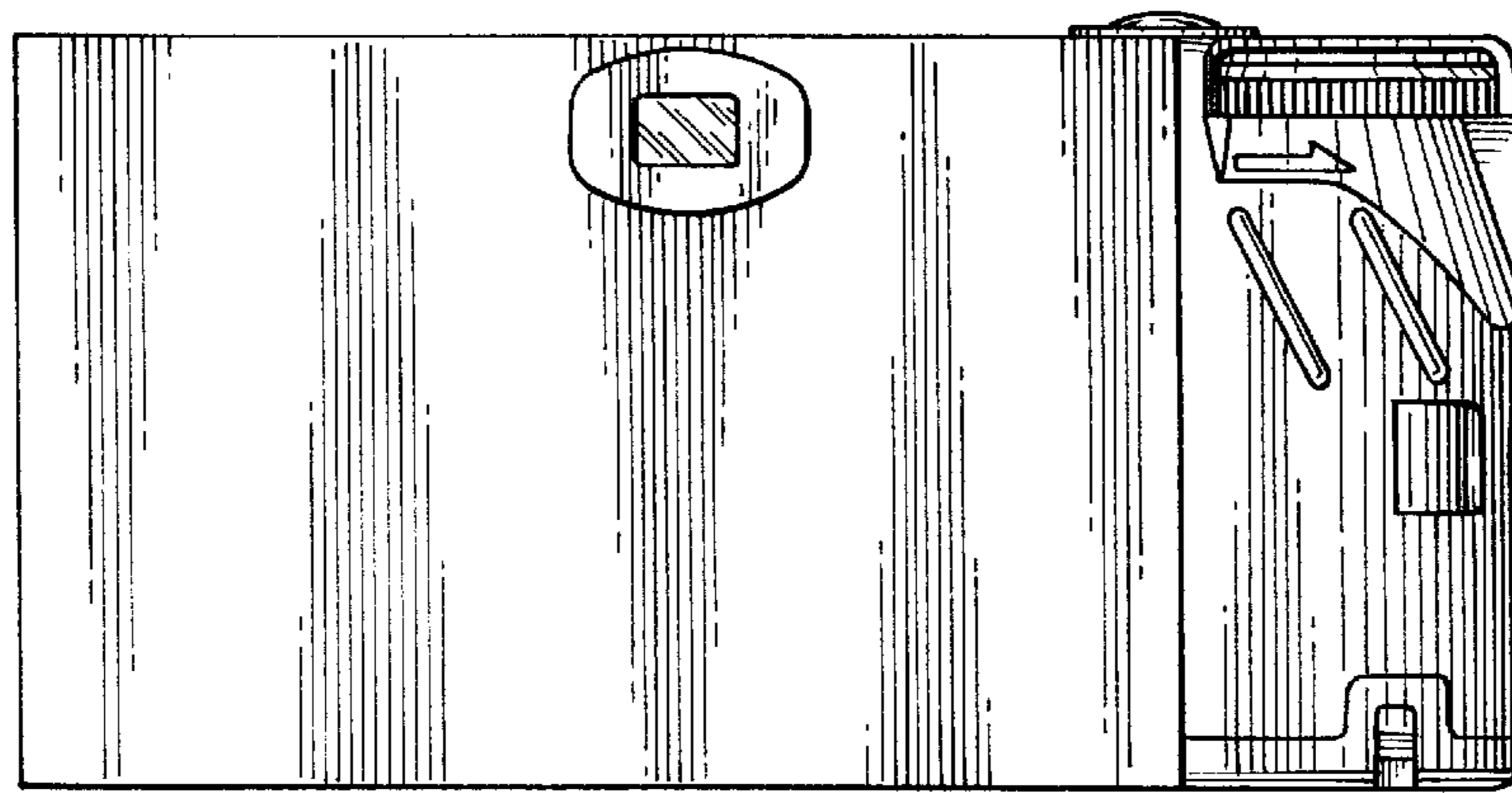
FIG. 8 is a left-side, top perspective view thereof.

**1 Claim, 2 Drawing Sheets**

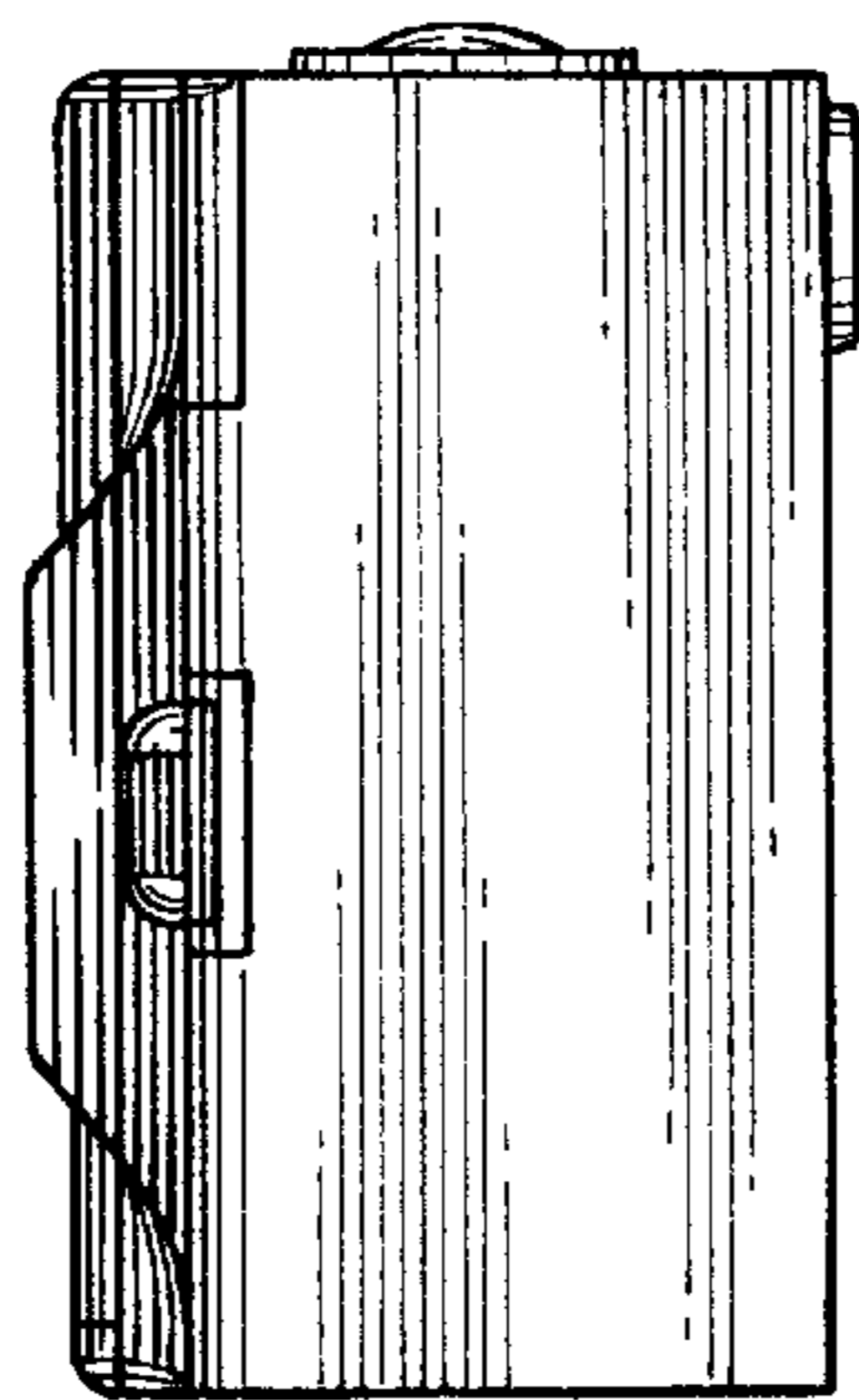




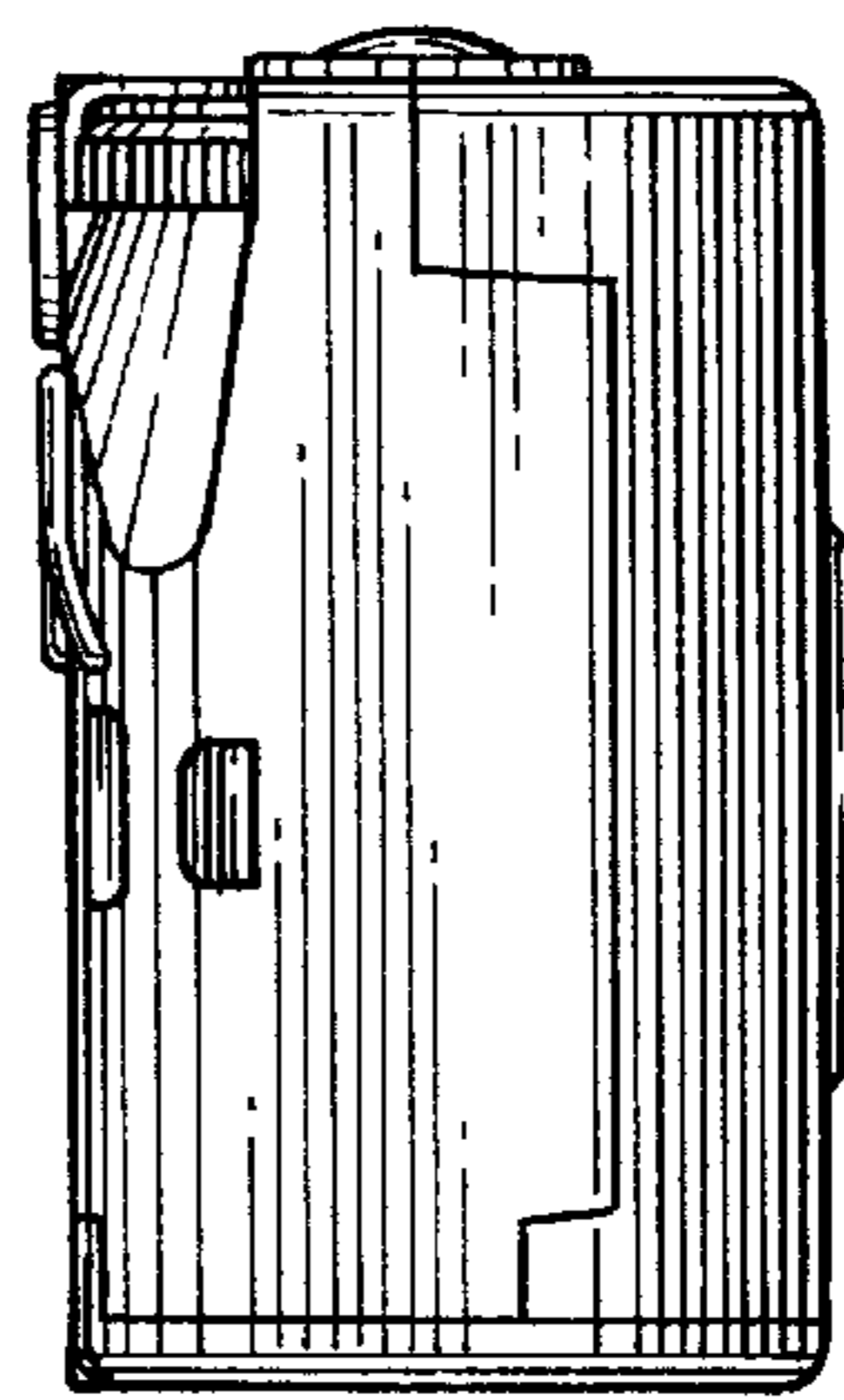
*Fig. 1*



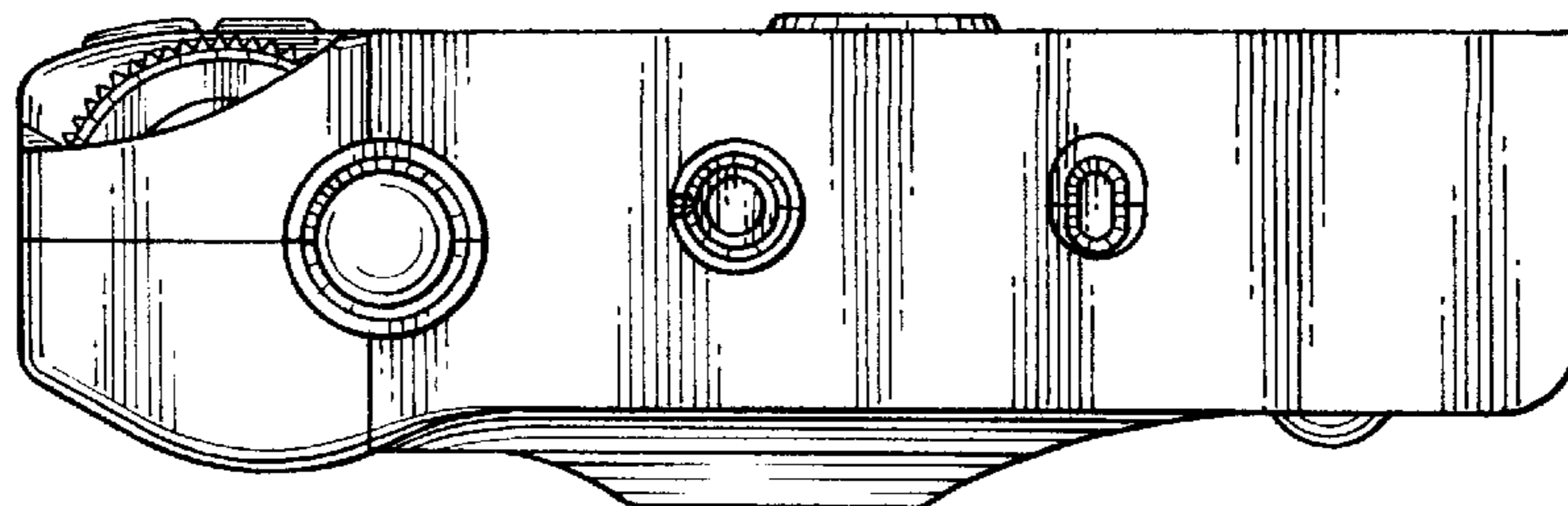
*Fig. 2*



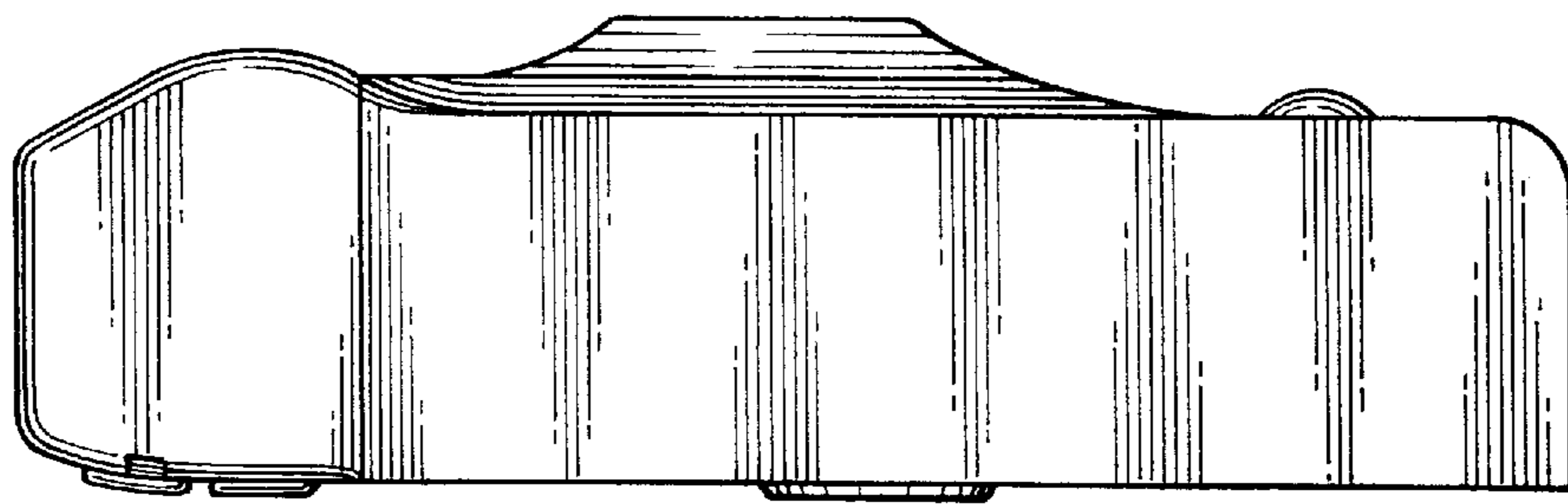
*Fig. 3*



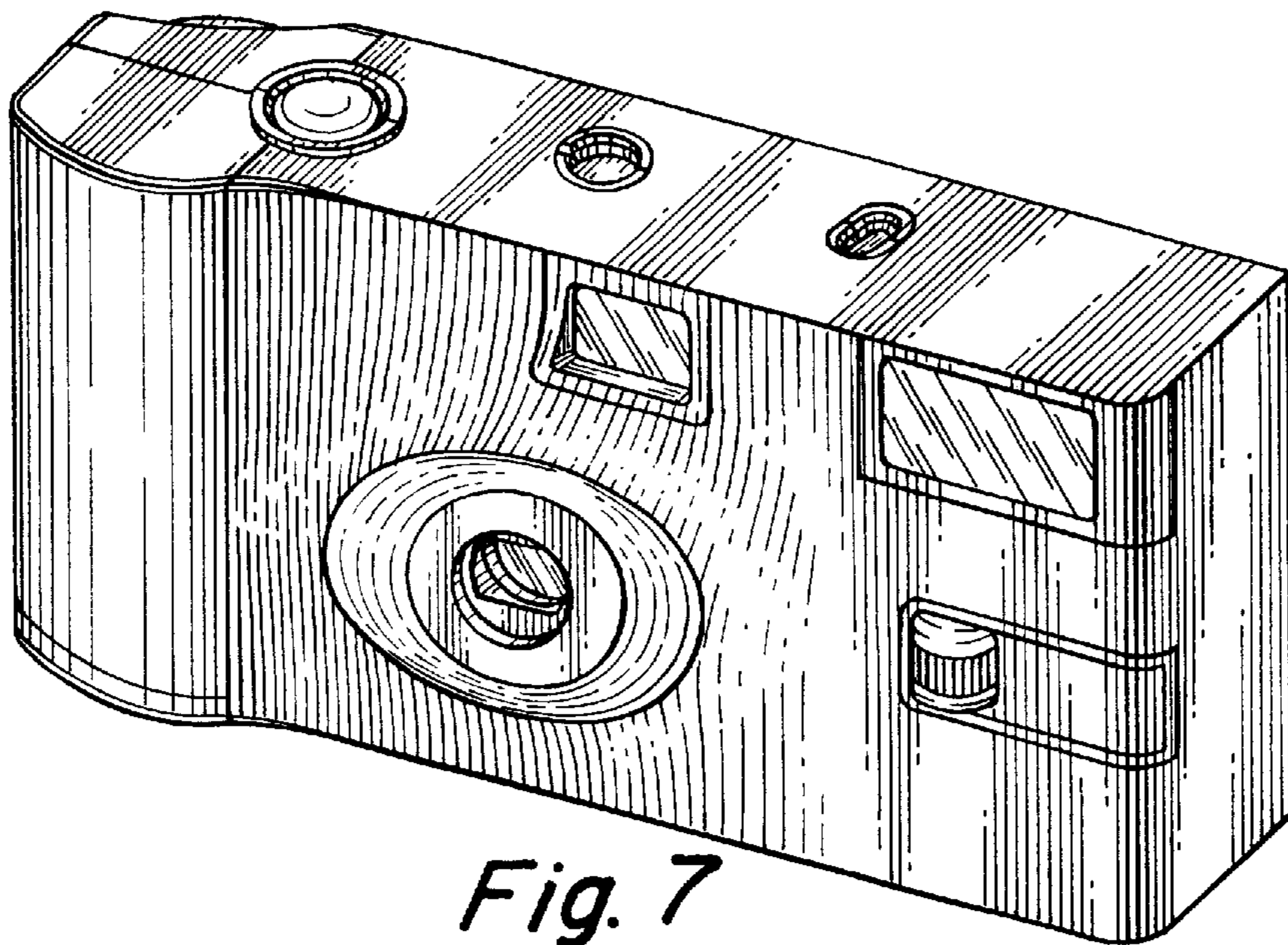
*Fig. 4*



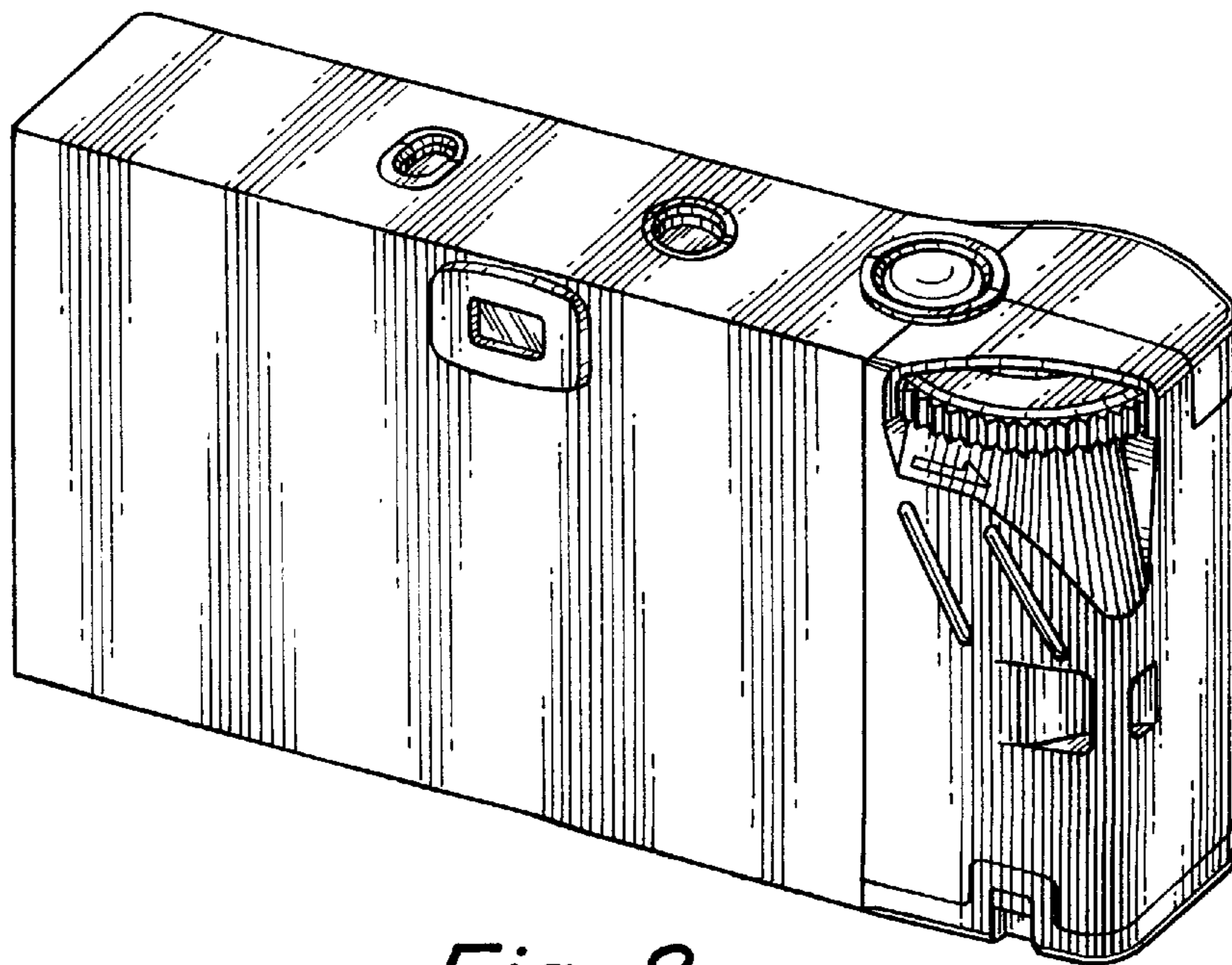
*Fig. 5*



*Fig. 6*



*Fig. 7*



*Fig. 8*