



US00D447500B1

(12) **United States Design Patent**
Funato

(10) **Patent No.:** **US D447,500 S**

(45) **Date of Patent:** **** Sep. 4, 2001**

(54) **ELECTRONIC STILL CAMERA**

(75) Inventor: **Kenichi Funato**, Tokyo (JP)

(73) Assignee: **Fuji Photo Film Co., Ltd.**, Kanagawa (JP)

(**) Term: **14 Years**

(21) Appl. No.: **29/131,330**

(22) Filed: **Oct. 20, 2000**

(30) **Foreign Application Priority Data**

Apr. 24, 2000 (JP) 12-010724

(51) **LOC (7) Cl.** **16-01**

(52) **U.S. Cl.** **D16/202; D16/206**

(58) **Field of Search** D16/200-206,
D16/208, 209, 217, 218; 348/373-376;
396/176-178, 61, 535, 536-541; 358/909.1

(56) **References Cited**

U.S. PATENT DOCUMENTS

- D. 387,079 12/1997 Horikiri D16/217
- D. 388,110 * 12/1997 Watarai et al. D16/217
- D. 408,040 * 4/1999 Miyahara D16/202
- D. 416,271 * 11/1999 Ikenaga D16/202

- D. 425,095 * 5/2000 Watarai et al. D16/217
- 4,945,372 * 7/1990 Higuchi et al. 396/61

* cited by examiner

Primary Examiner—Adir Aronovich

(74) *Attorney, Agent, or Firm*—Young & Thompson

(57) **CLAIM**

The ornamental design for an electronic still camera, as shown and described.

DESCRIPTION

FIG. 1 is top, front and side perspective view of an electronic still camera showing my new design;
 FIG. 2 is a front elevational view thereof;
 FIG. 3 is a rear elevational view thereof;
 FIG. 4 is a top plan view thereof;
 FIG. 5 is a bottom plan view thereof;
 FIG. 6 is a side elevational view thereof from the right of FIG. 2;
 FIG. 7 is a side elevational view thereof from the left of FIG. 2;
 FIG. 8 is a view similar to FIG. 1 but with parts in a different position; and,
 FIG. 9 is a view similar to FIG. 6 but with parts in a different position.

1 Claim, 5 Drawing Sheets

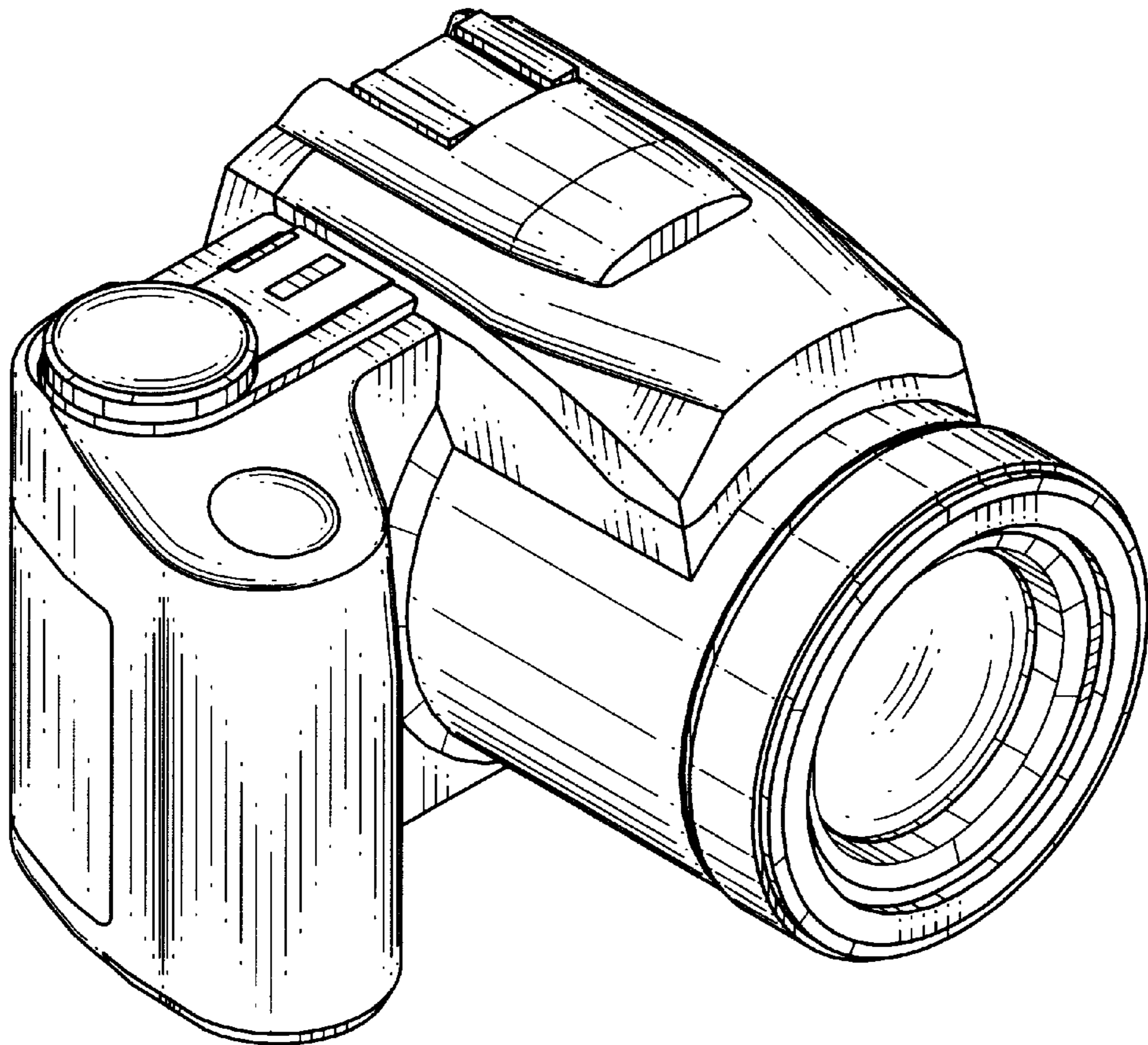


FIG. 1

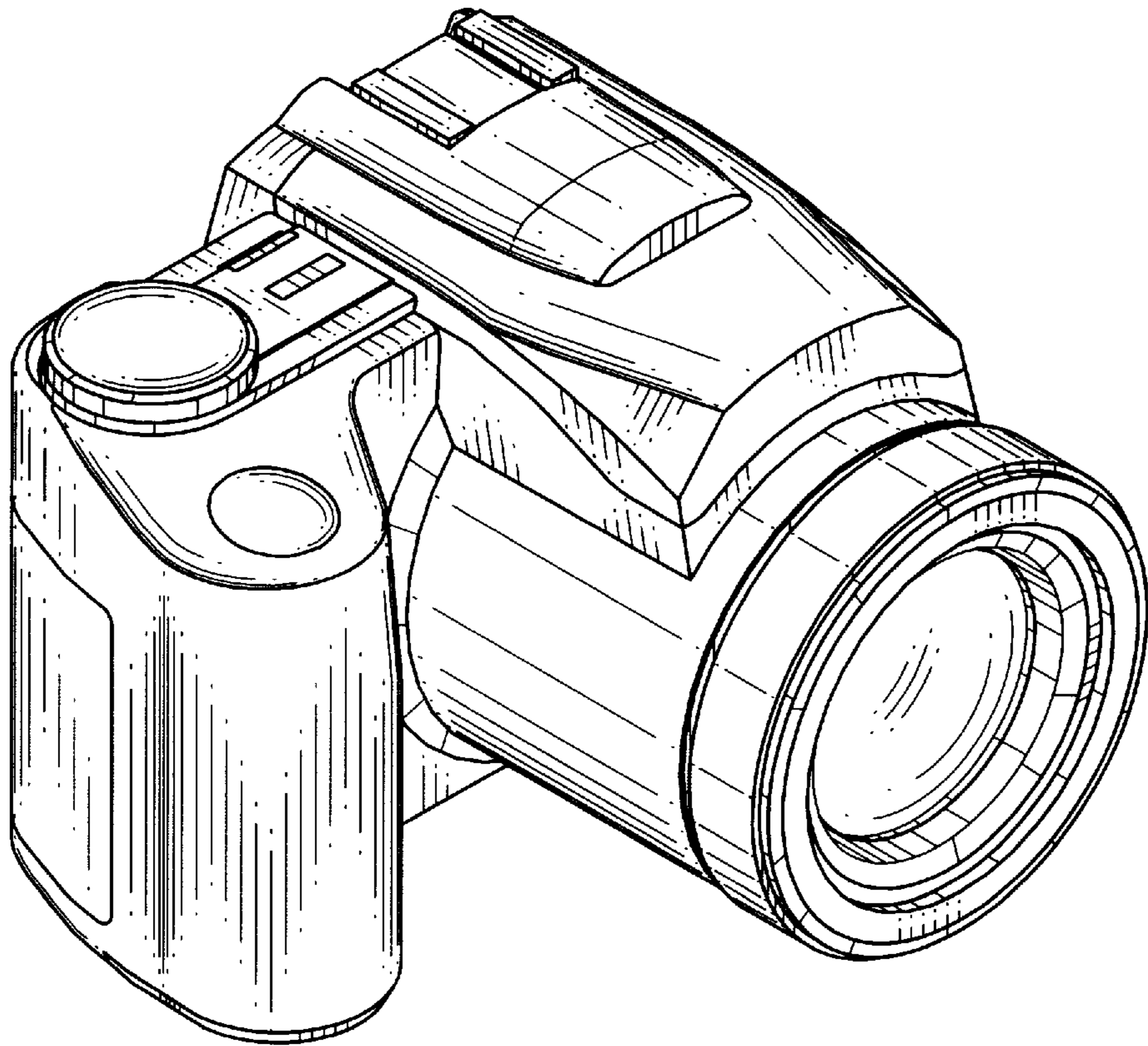


FIG. 2

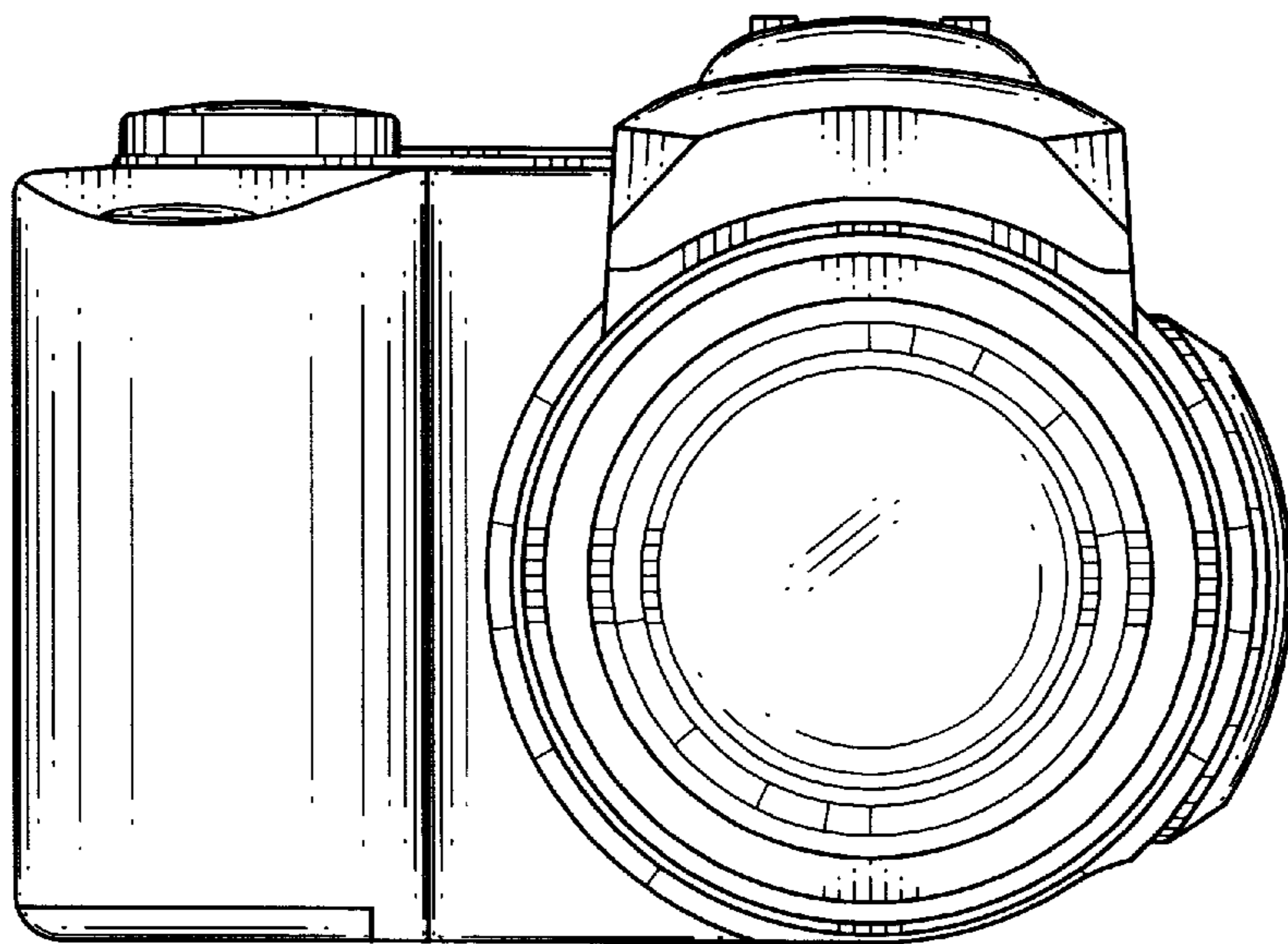


FIG. 3

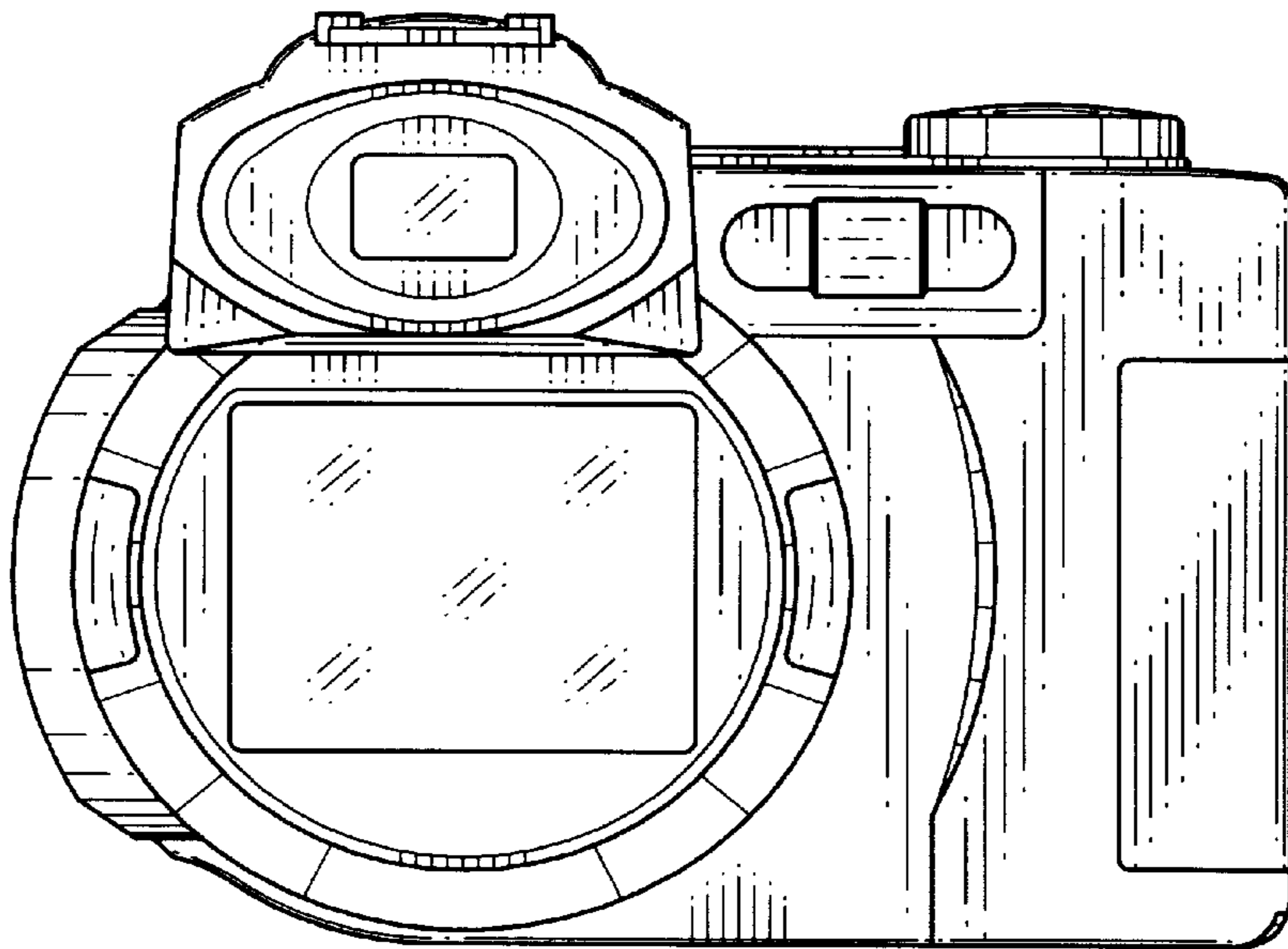


FIG. 4

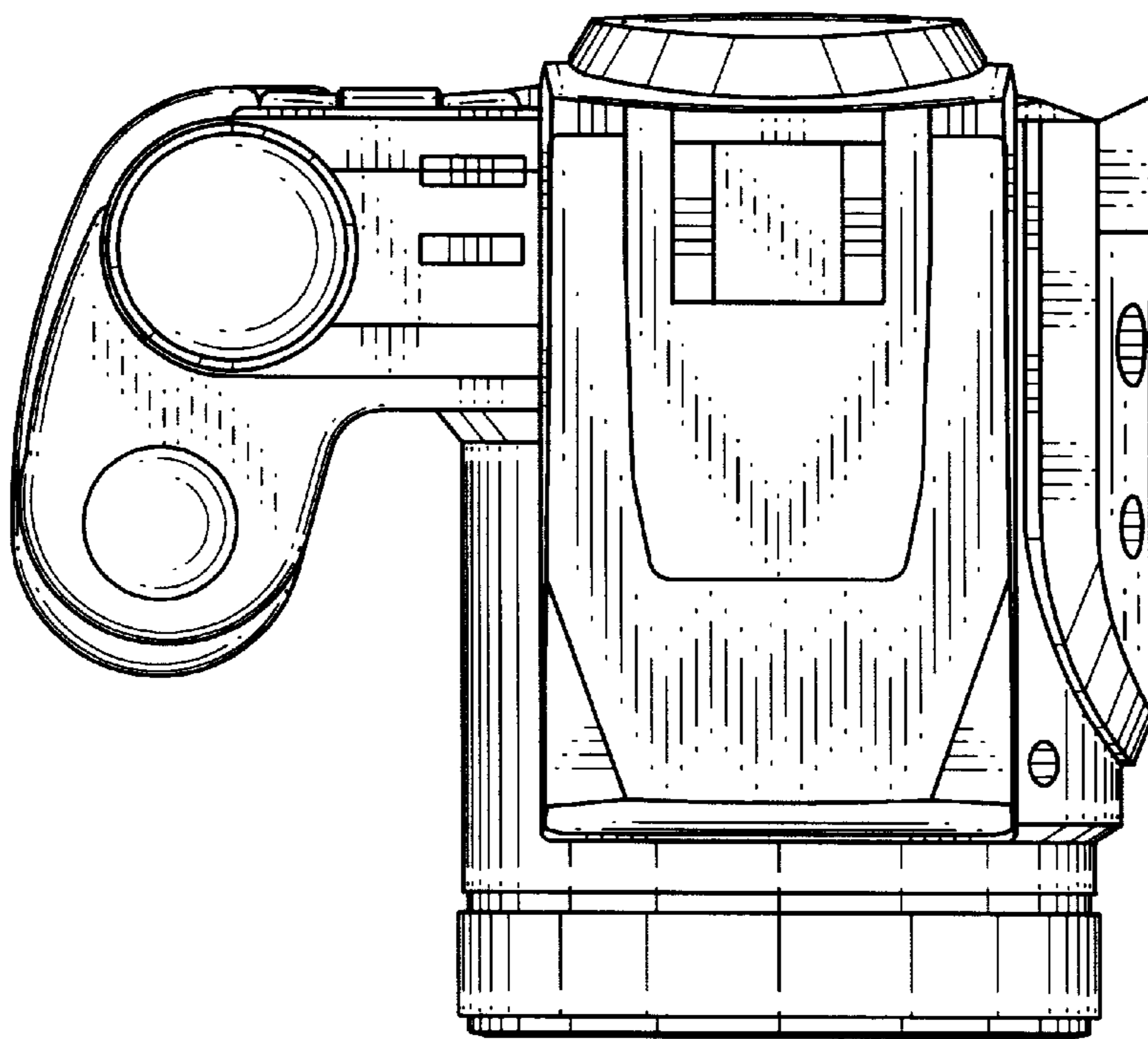


FIG. 5

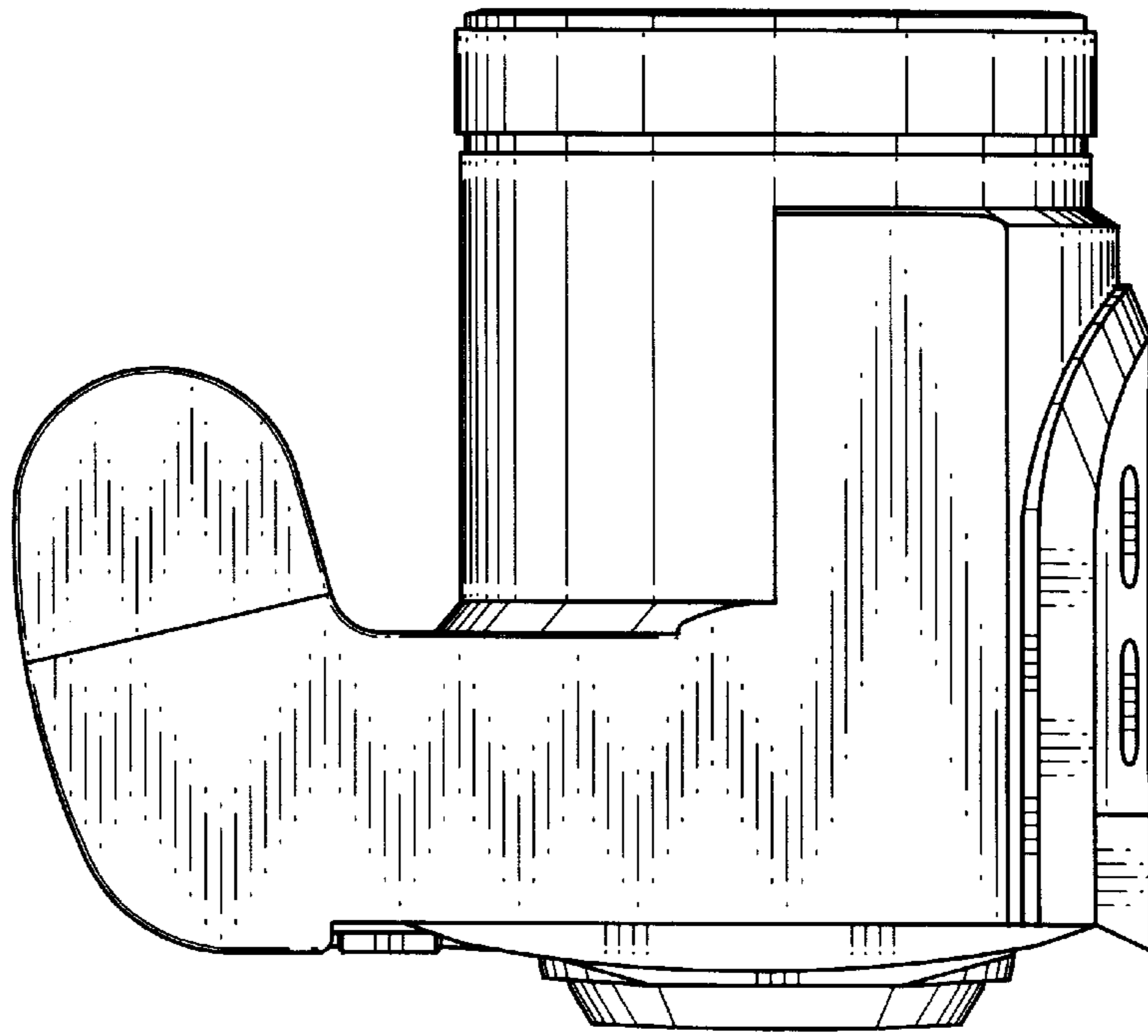


FIG. 6

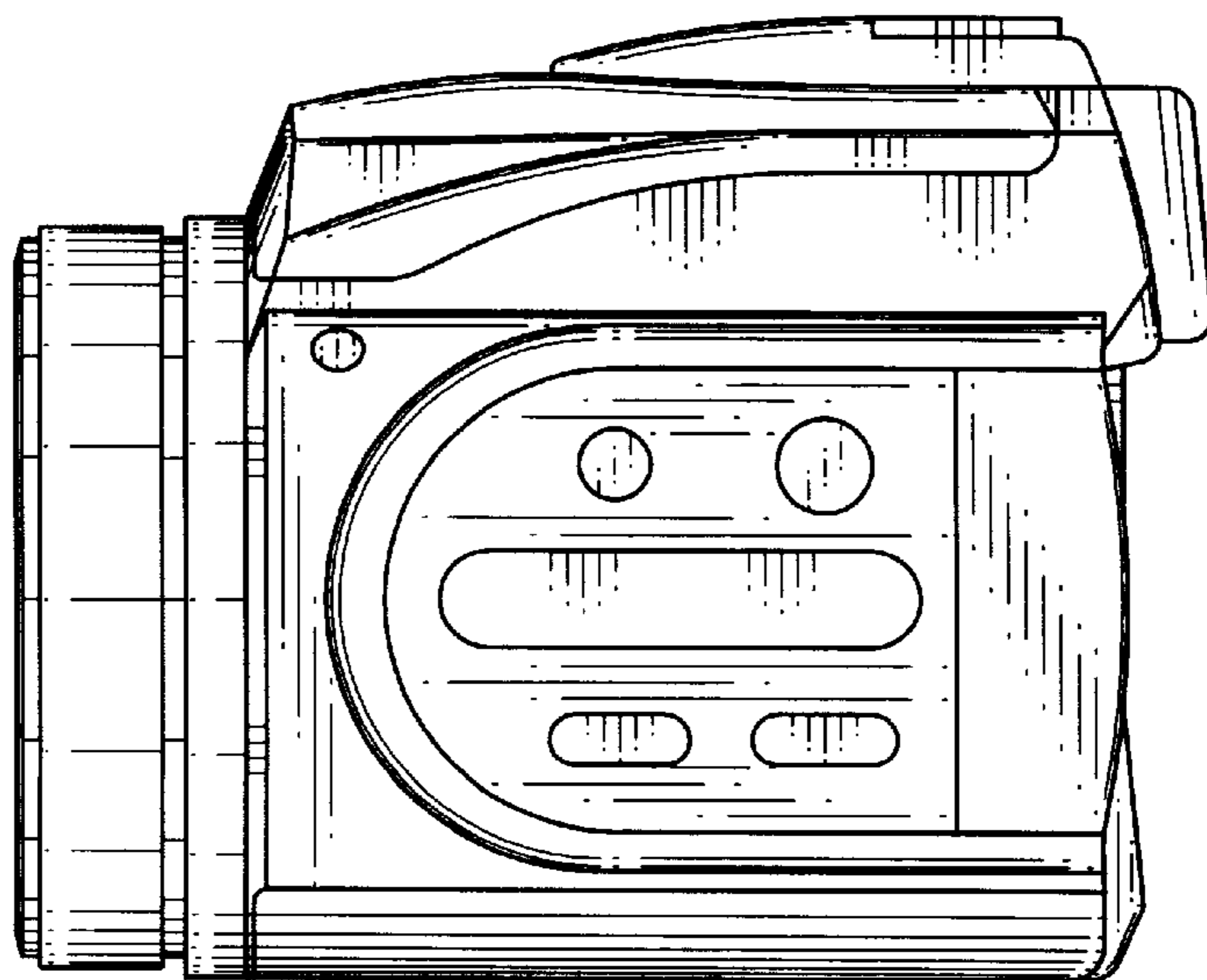


FIG. 7

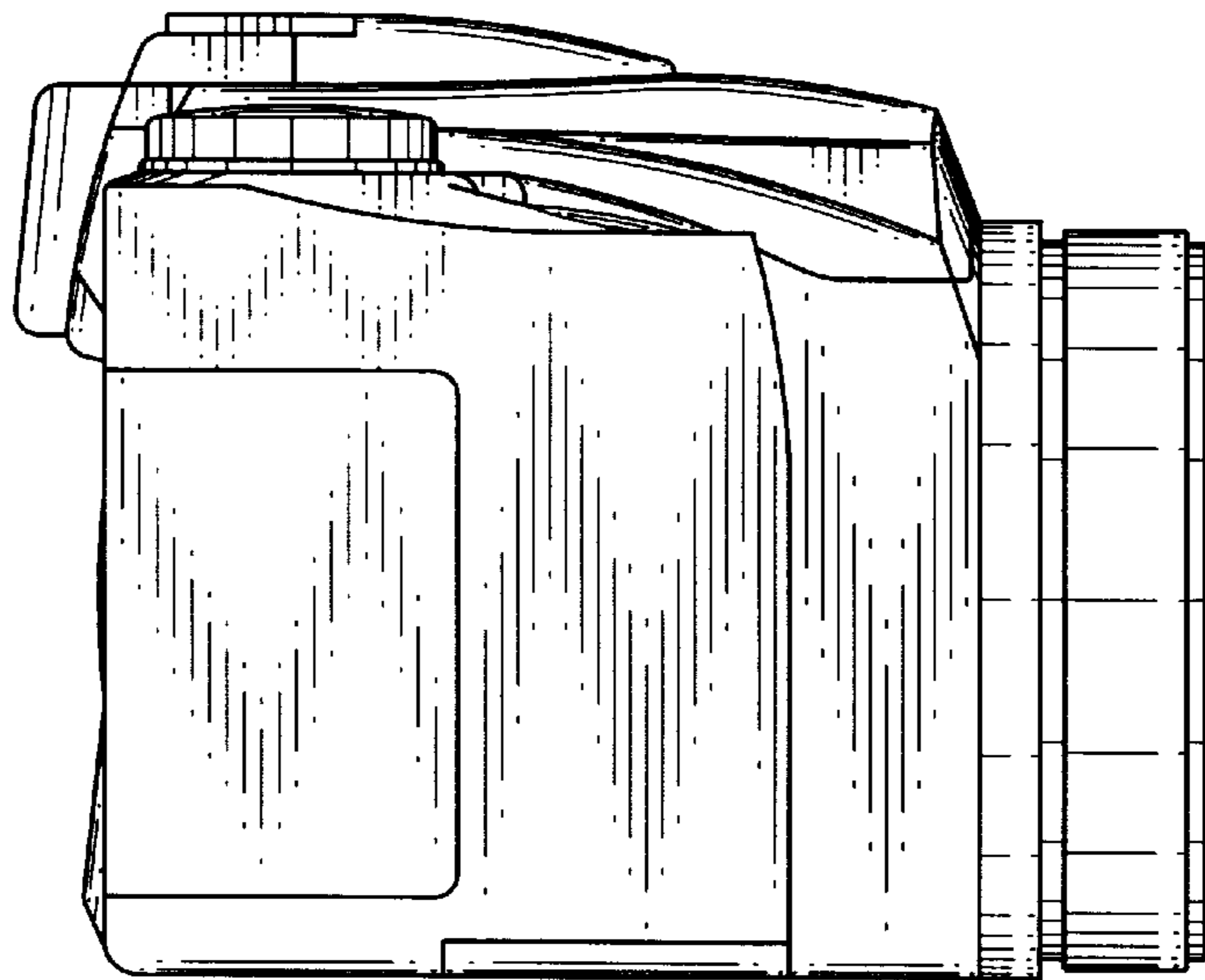


FIG. 8

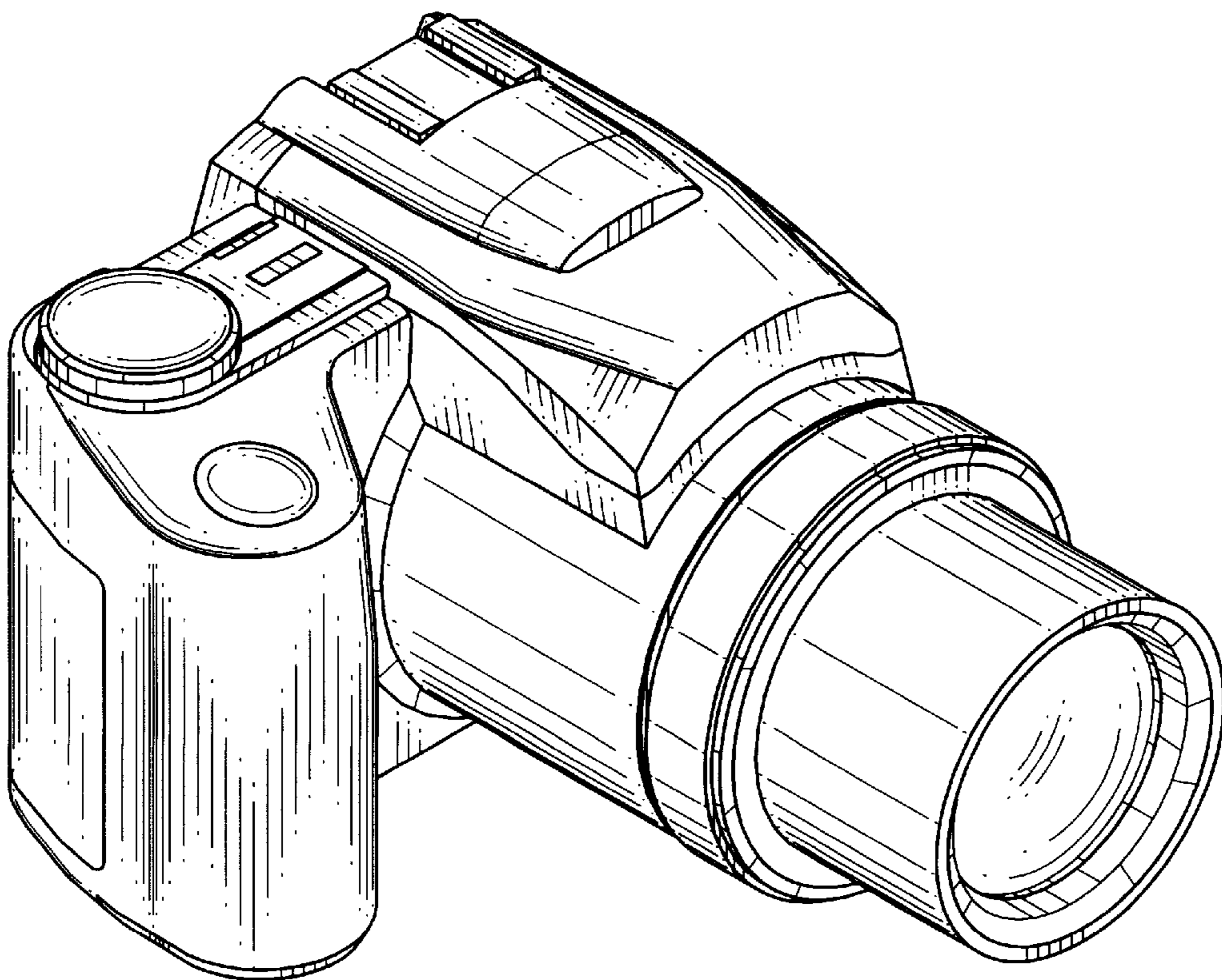


FIG. 9

