



US00D447499B1

(12) **United States Design Patent**
Jin

(10) **Patent No.:** **US D447,499 S**

(45) **Date of Patent:** **** Sep. 4, 2001**

(54) **DIGITAL CAMERA**

(75) **Inventor:** **Byung Wook Jin, Seoul (KR)**

(73) **Assignee:** **Samsung Techwin Co., Ltd.,
Changwon**

(**) **Term:** **14 Years**

(21) **Appl. No.:** **29/126,928**

(22) **Filed:** **Jul. 26, 2000**

(30) **Foreign Application Priority Data**

Feb. 3, 2000 (KR) 00-2829

(51) **LOC (7) Cl.** **16-01**

(52) **U.S. Cl.** **D16/202; D16/218**

(58) **Field of Search** **D16/200-205,
D16/208, 209, 212, 218; 348/373-376;
358/906, 909.1; 396/535-541**

(56) **References Cited**

U.S. PATENT DOCUMENTS

D. 404,752 * 1/1999 Lin D16/218

D. 407,098 * 3/1999 Goto et al. D16/202
D. 421,761 * 3/2000 Chang et al. D16/209
D. 422,002 * 3/2000 Li et al. D16/209
D. 426,842 * 6/2000 Suzuki et al. D16/202

* cited by examiner

Primary Examiner—Adir Aronovich

(74) *Attorney, Agent, or Firm*—Dellett and Walters

(57) **CLAIM**

The ornamental design for a digital camera, as shown and described.

DESCRIPTION

FIG. 1 is a perspective view of the design for a digital camera;

FIG. 2 is a front view of the design of FIG. 1;

FIG. 3 is a rear elevational view of the design of FIG. 1;

FIG. 4 is a left side view of the design of FIG. 1;

FIG. 5 is a right side view of the design of FIG. 1;

FIG. 6 is a top view of the design of FIG. 1; and,

FIG. 7 is a bottom view of the design of FIG. 1.

1 Claim, 4 Drawing Sheets

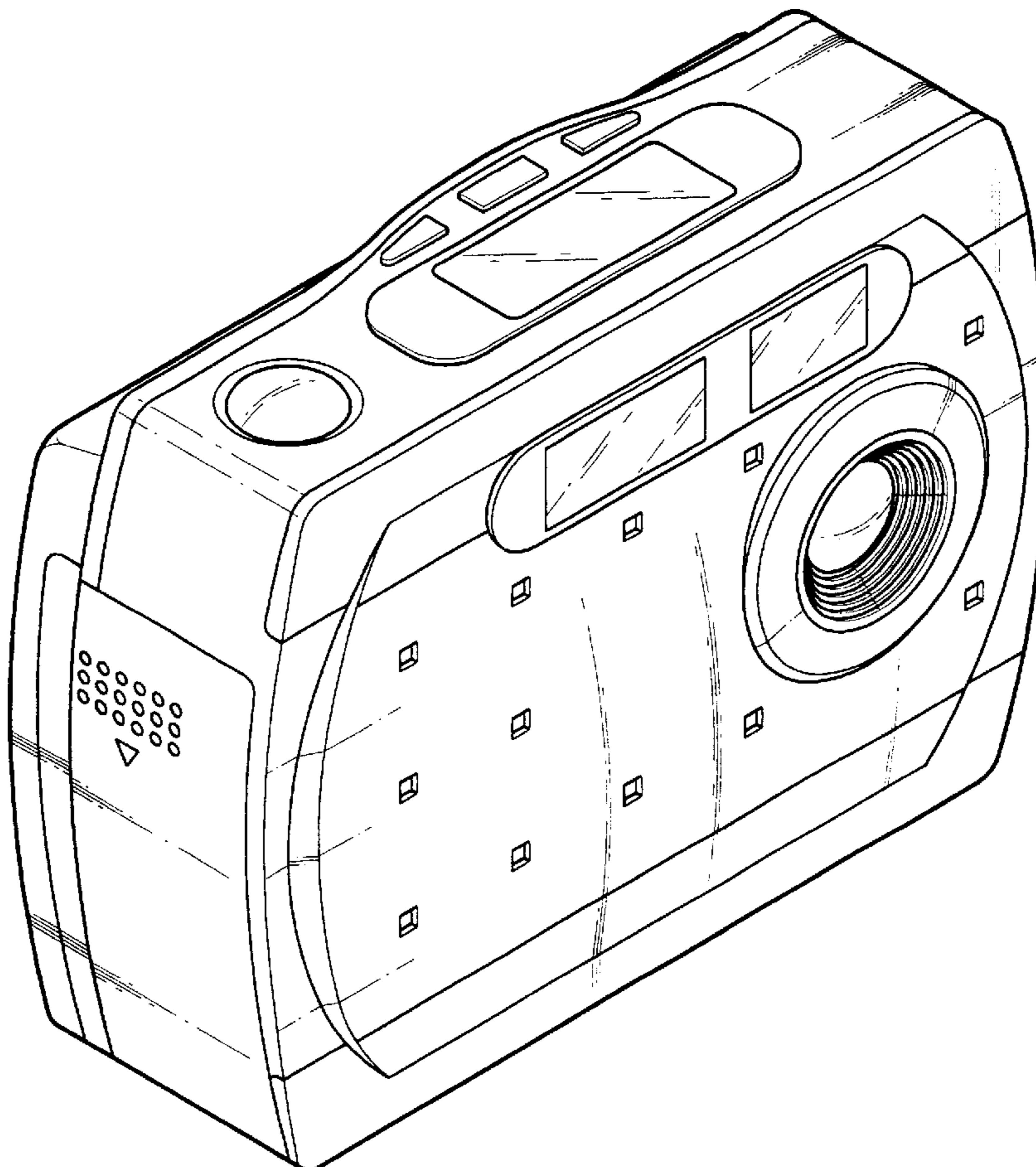


FIG. 1

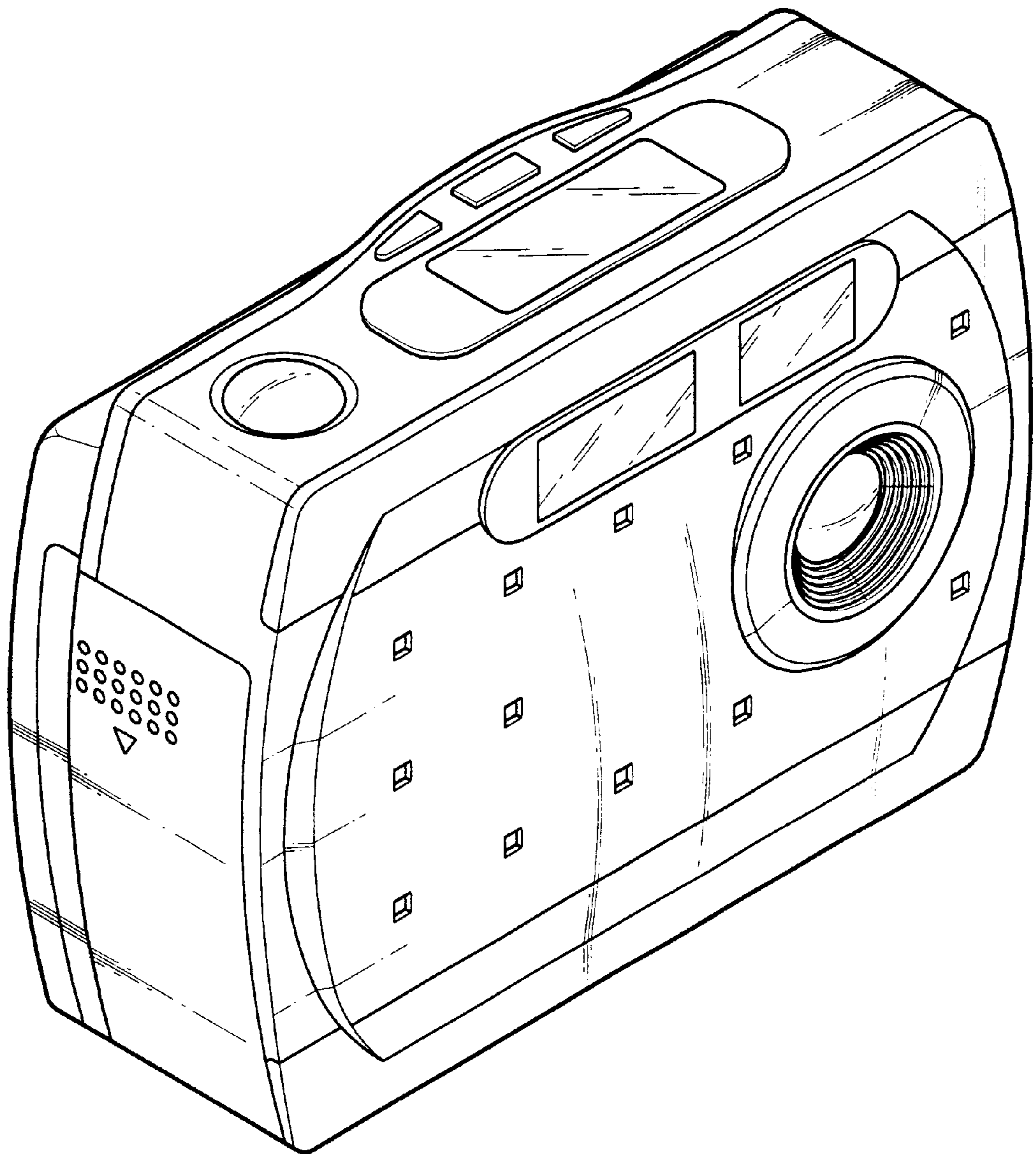


FIG. 2

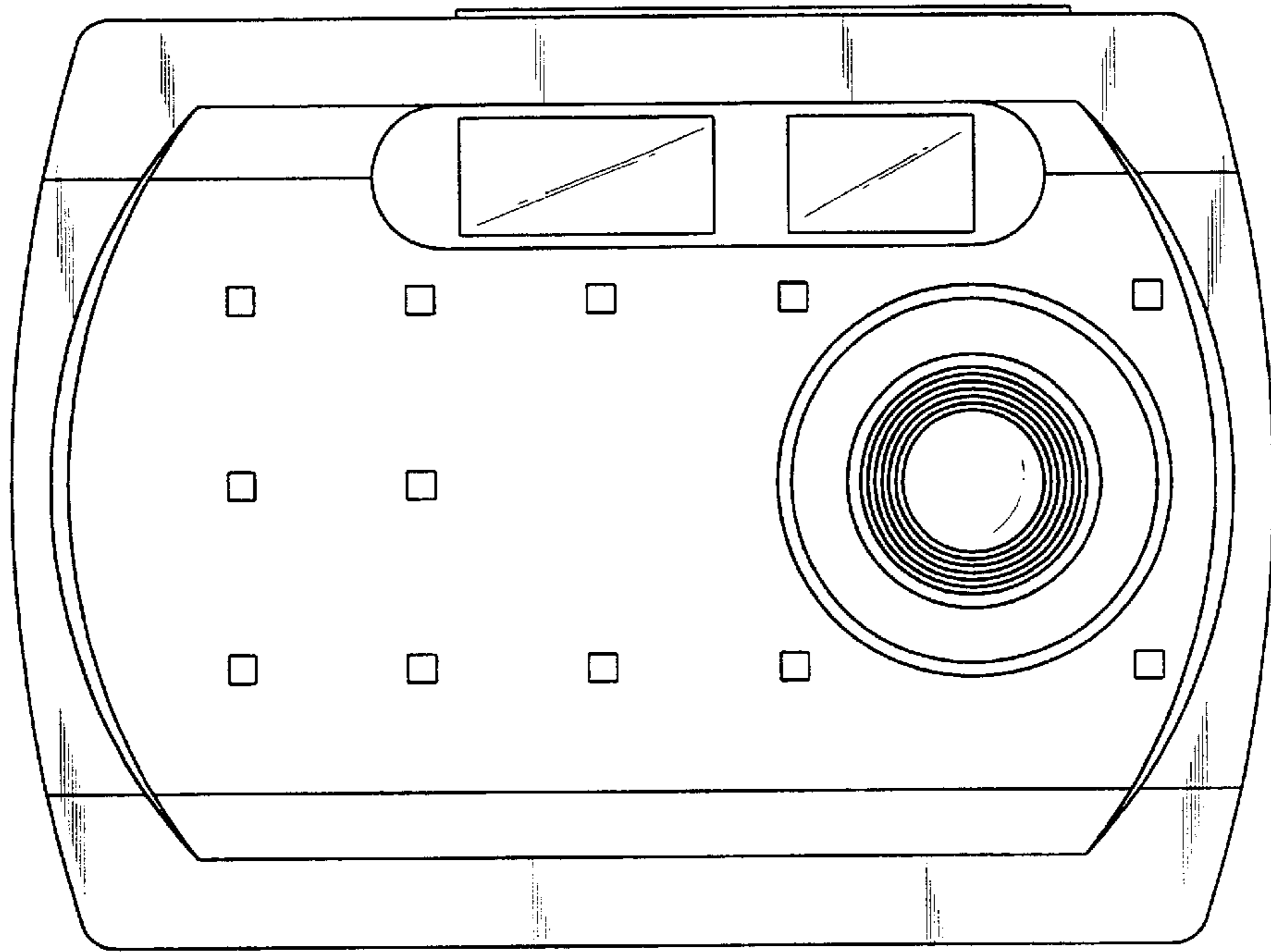


FIG. 3

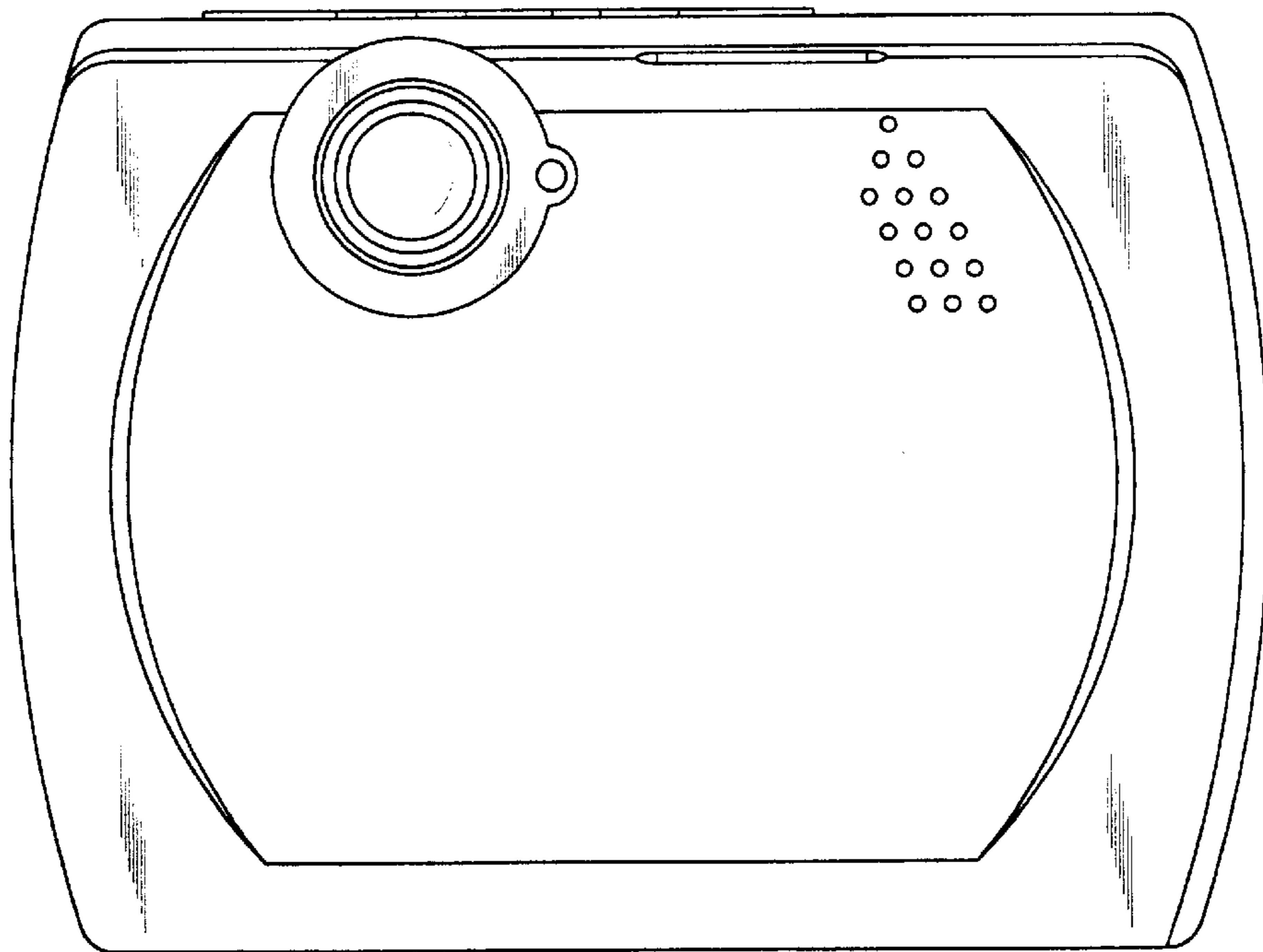


FIG. 4

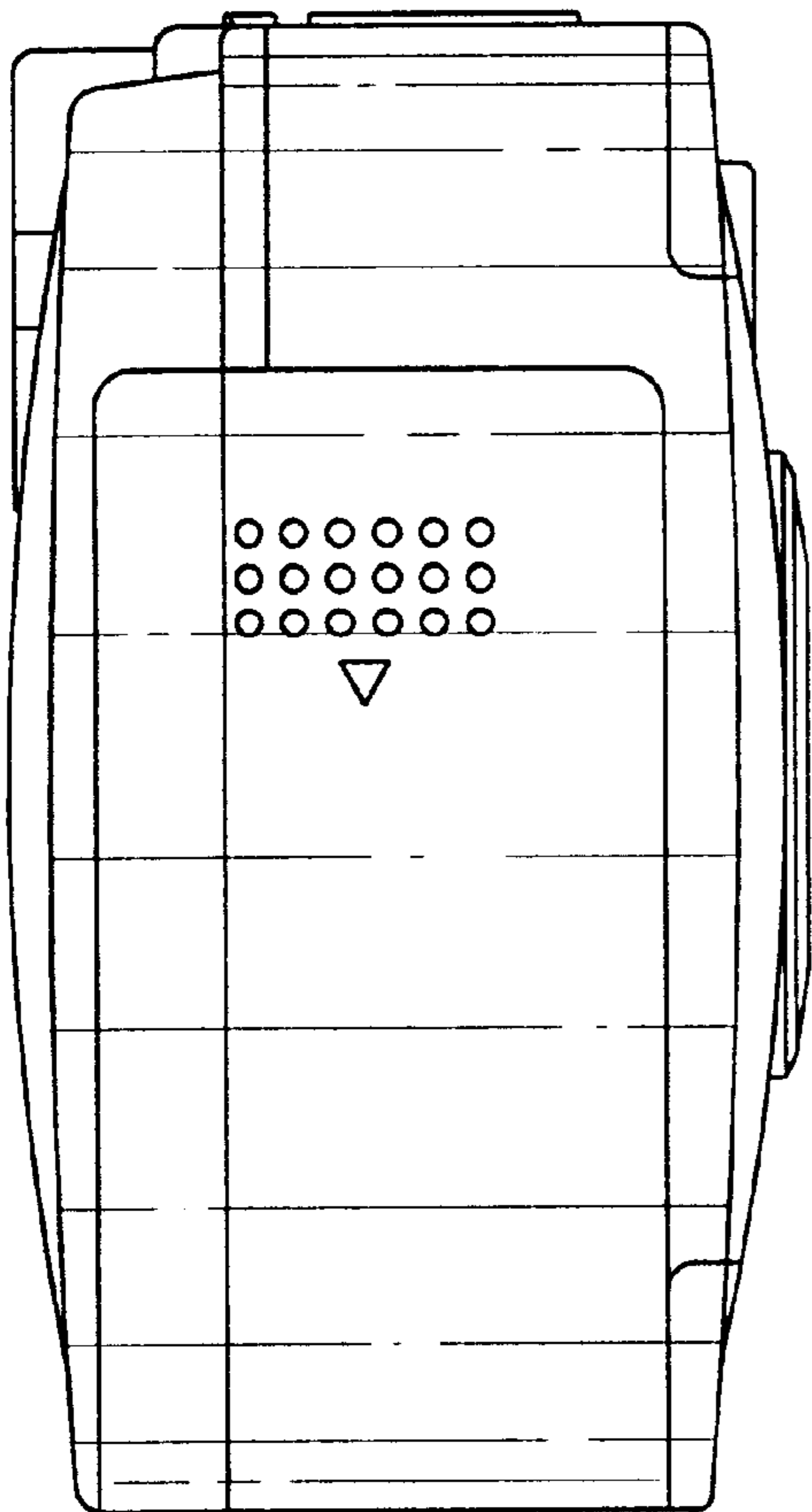


FIG. 5

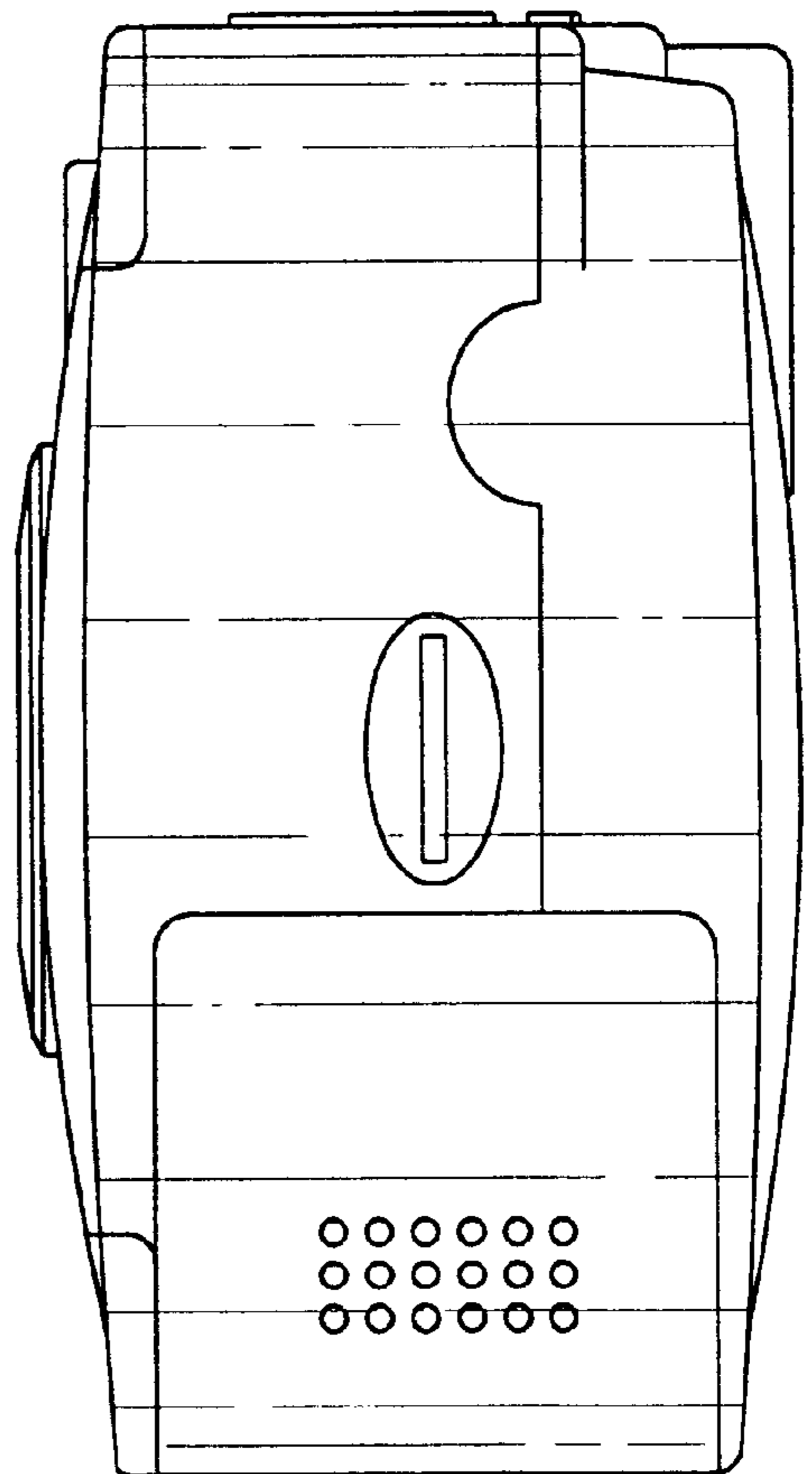


FIG. 6

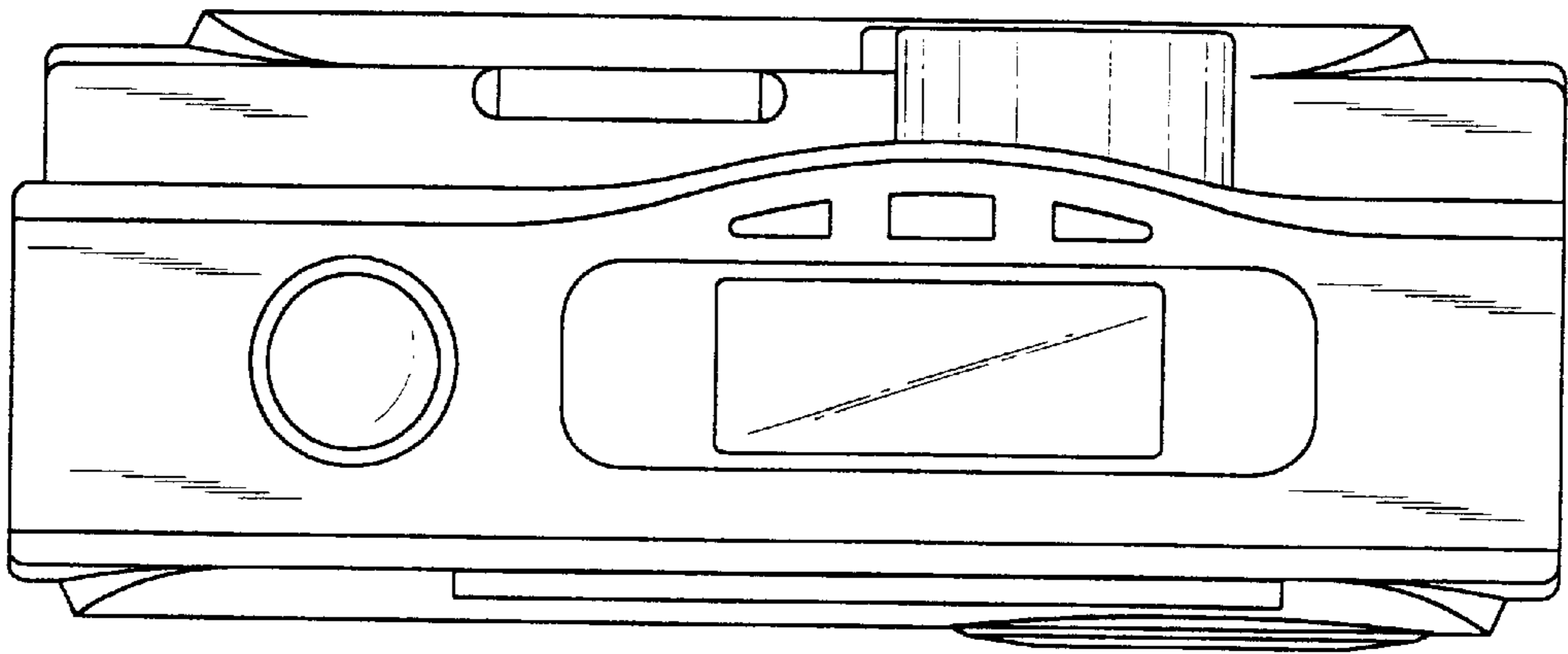


FIG. 7

