



US00D447497B1

(12) **United States Design Patent**
Welsh et al.

(10) **Patent No.:** **US D447,497 S**

(45) **Date of Patent:** **** Sep. 4, 2001**

(54) **LEG ASSEMBLY FOR A TABLE SAW**

(56)

References Cited

(75) Inventors: **Robert P. Welsh**, Hunt Valley, MD (US); **David E. Duncanson, W.** Newbury, MA (US); **Mark A. Nichols**, Boston, MA (US); **Scott E. Stropkay**, Carlisle, MA (US)

U.S. PATENT DOCUMENTS

4,874,025 * 10/1989 Cleveland 144/287
6,047,750 * 4/2000 Jensen 144/287 X

* cited by examiner

(73) Assignee: **Black & Decker Inc.**, Newark, DE (US)

Primary Examiner—Antoine Duval Davis
(74) *Attorney, Agent, or Firm*—Adan Ayala

(**) Term: **14 Years**

(57) **CLAIM**

(21) Appl. No.: **29/132,607**

The ornamental design for a leg assembly for a table saw, as shown and described.

(22) Filed: **Nov. 9, 2000**

DESCRIPTION

Related U.S. Application Data

(63) Continuation of application No. 29/121,606, filed on Apr. 11, 2000, now Pat. No. Des. 440,239, which is a continuation of application No. 29/111,726, filed on Oct. 1, 1999, now Pat. No. Des. 427,214, which is a continuation of application No. 29/103,366, filed on Apr. 13, 1999, now Pat. No. Des. 422,290.

FIG. 1 is a front elevational view of a leg assembly for a table saw of the present invention;
FIG. 2 is a rear elevational view thereof;
FIG. 3 is a right side elevational view thereof;
FIG. 4 is a front perspective view thereof; and,
FIG. 5 is a perspective view.

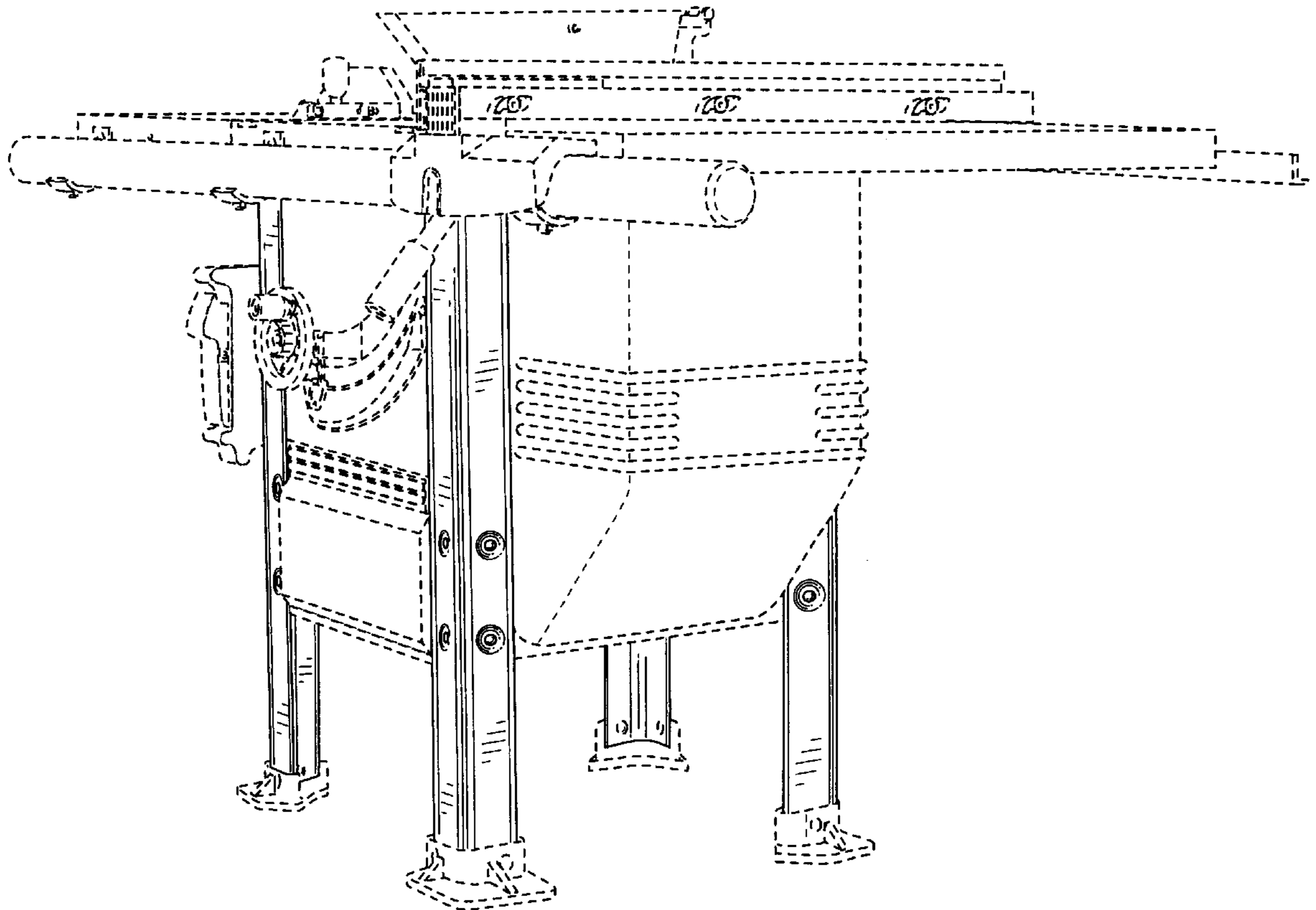
(51) **LOC (7) Cl.** **15-09**

(52) **U.S. Cl.** **D15/141**

(58) **Field of Search** D15/133; 83/432,
83/435, 468.3, 468.7, 477, 477.2, 478;
144/287

In the above drawings, any broken line illustration is not part of the design sought to be patented. In addition, any views not shown thereof do not form a part of the invention.

1 Claim, 5 Drawing Sheets



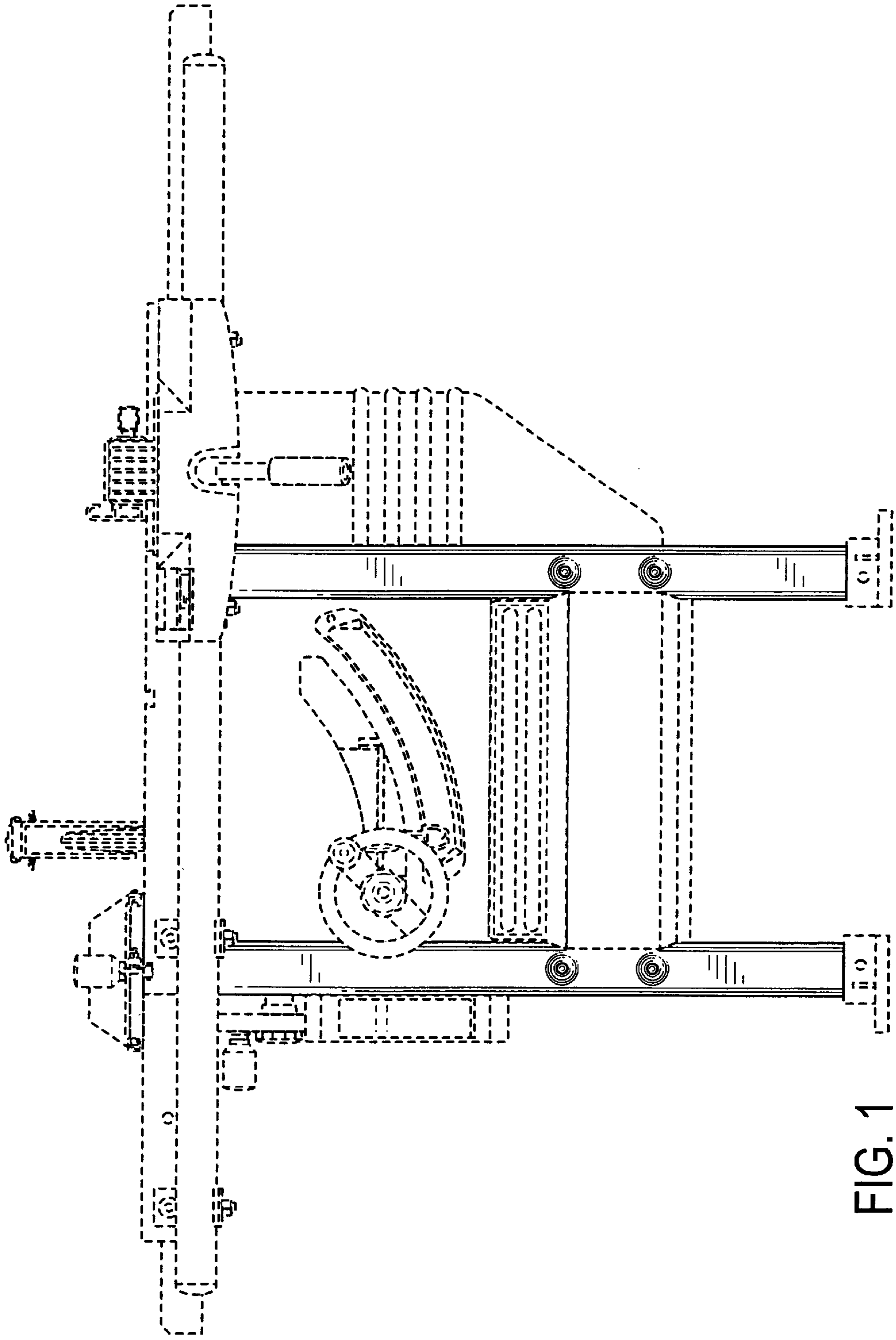


FIG. 1

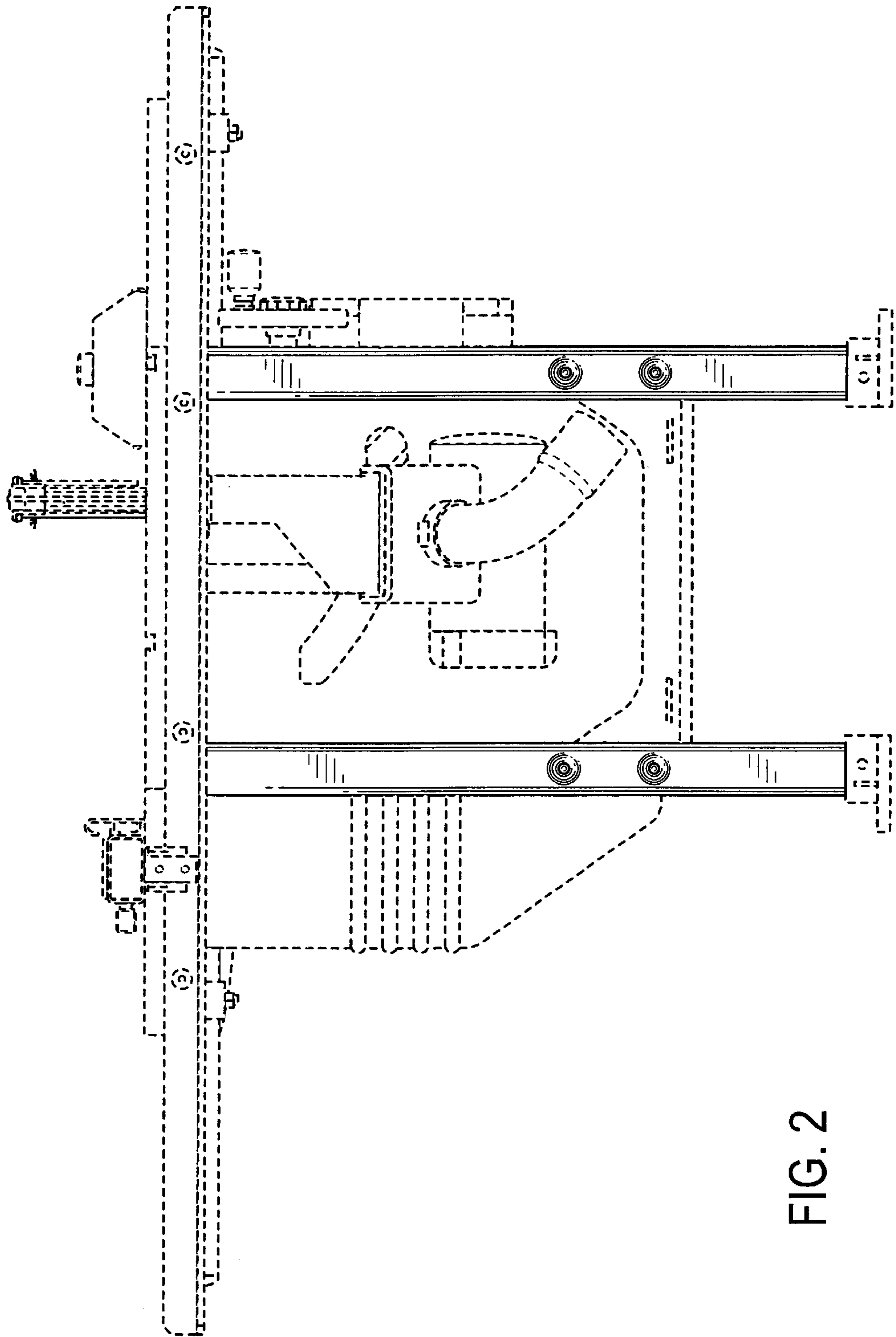


FIG. 2

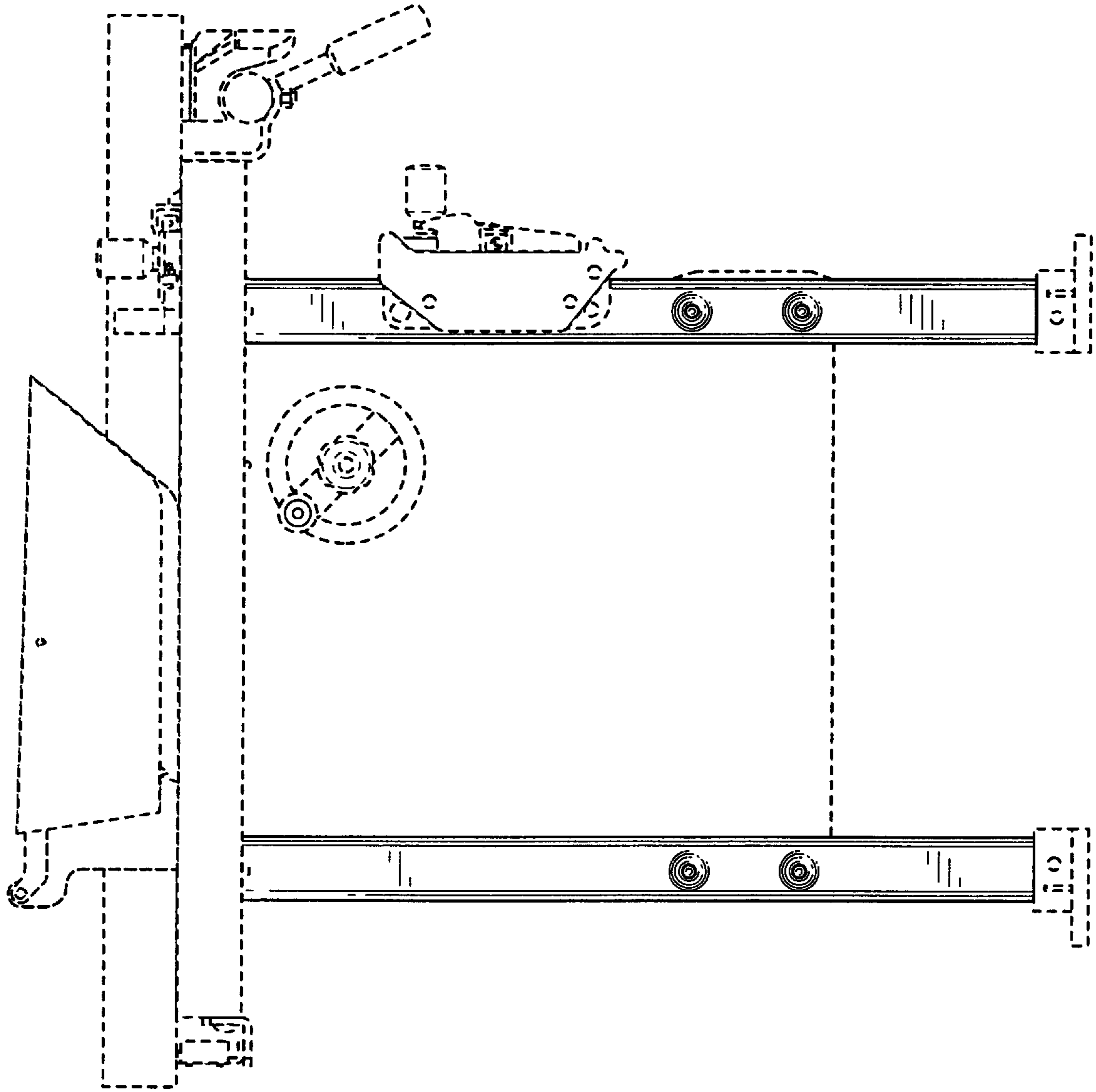


FIG. 3

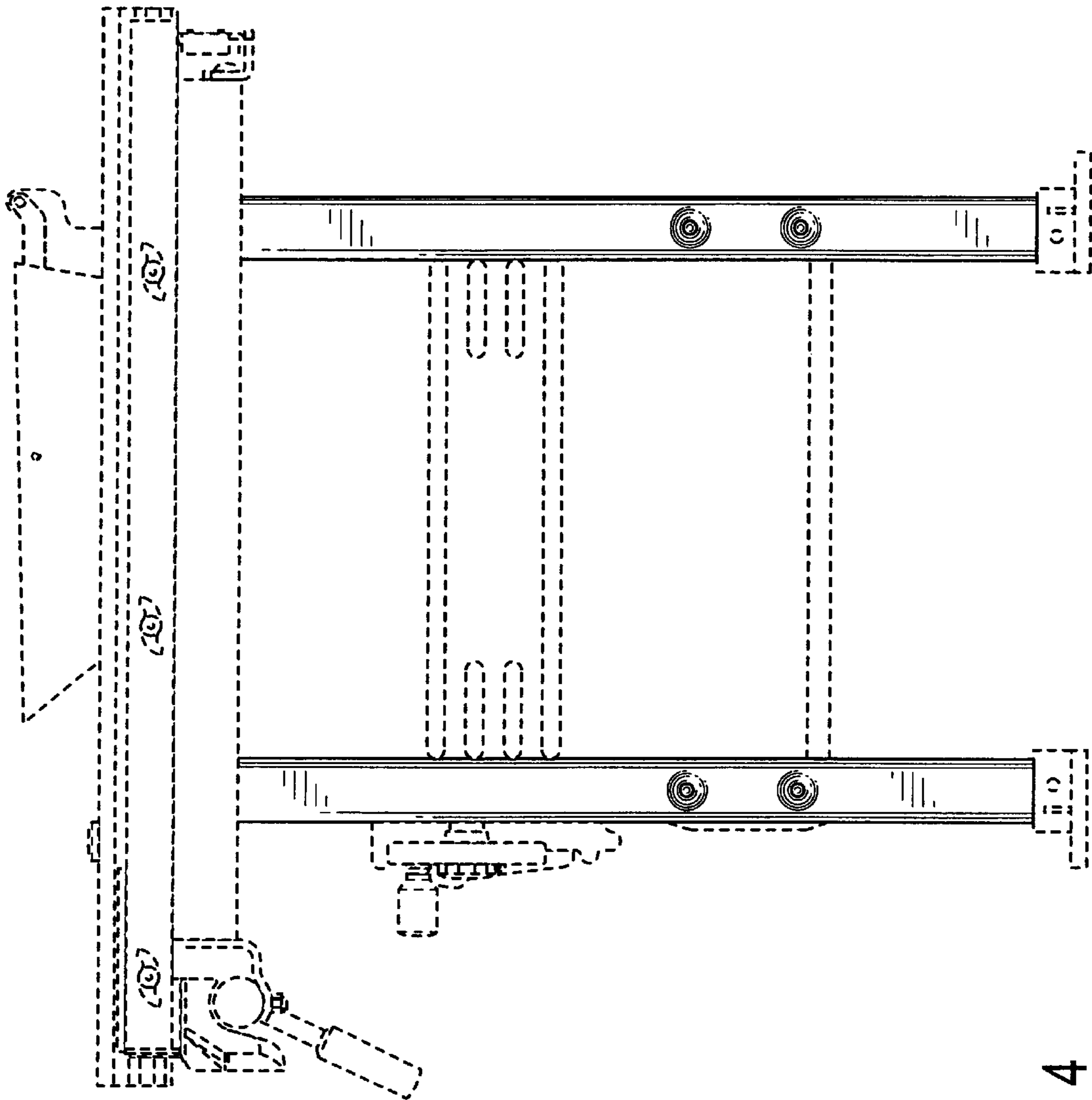


FIG. 4

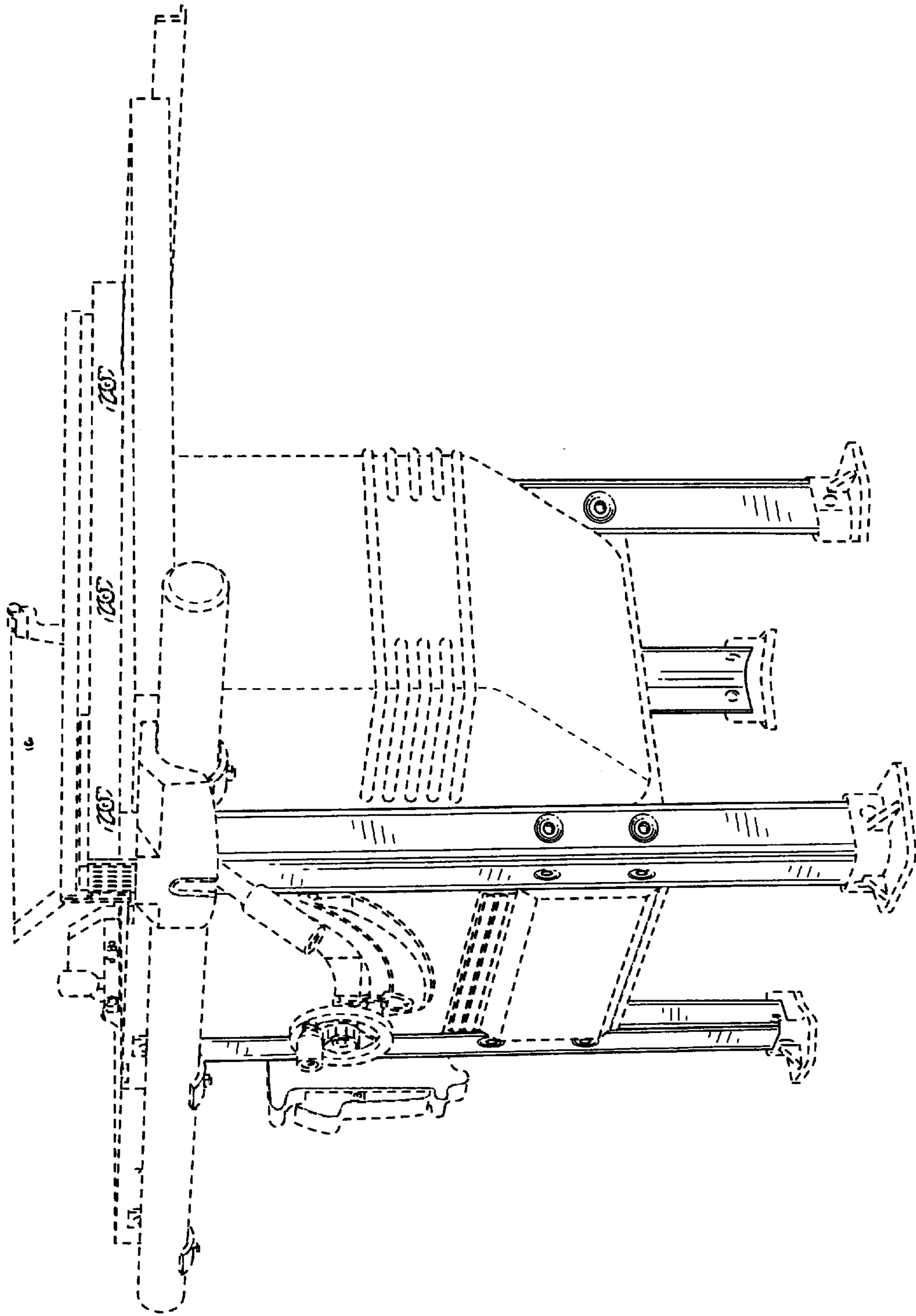


FIG. 5