



US00D447494B1

(12) **United States Design Patent**
Miller

(10) **Patent No.:** **US D447,494 S**

(45) **Date of Patent:** **** Sep. 4, 2001**

(54) **SELF-ADHERING MAGNETIC DRILL**

(75) Inventor: **Jeffrey Ray Miller**, Gaines, MI (US)

(73) Assignee: **Hougen Manufacturing, Inc.**, Swartz Creek, MI (US)

(**) Term: **14 Years**

(21) Appl. No.: **29/132,420**

(22) Filed: **Nov. 8, 2000**

(51) **LOC (7) Cl.** **15-09**

(52) **U.S. Cl.** **D15/132**

(58) **Field of Search** D15/132; 408/76,
408/77, 91, 6, 9, 16, 1 R, 11, 3, 135, 136,
109, 129, 710, 110, 115 R

(56) **References Cited**

U.S. PATENT DOCUMENTS

D. 348,074 * 6/1994 Asano D15/132
6,102,633 * 8/2000 Uehlein-Proctor 408/76 X

* cited by examiner

Primary Examiner—Antoine Duval Davis
(74) *Attorney, Agent, or Firm*—Howard & Howard

(57) **CLAIM**

The ornamental design for a self-adhering magnetic drill, as shown and described.

DESCRIPTION

FIG. 1 is a perspective view of the inventive drill.

FIG. 2 is a side elevation view of the inventive drill as seen from the left side of FIG. 1.

FIG. 3 is a front end view of the inventive drill as seen in FIG. 1.

FIG. 4 is a side elevation view of the inventive drill as seen from the right side of FIG. 1.

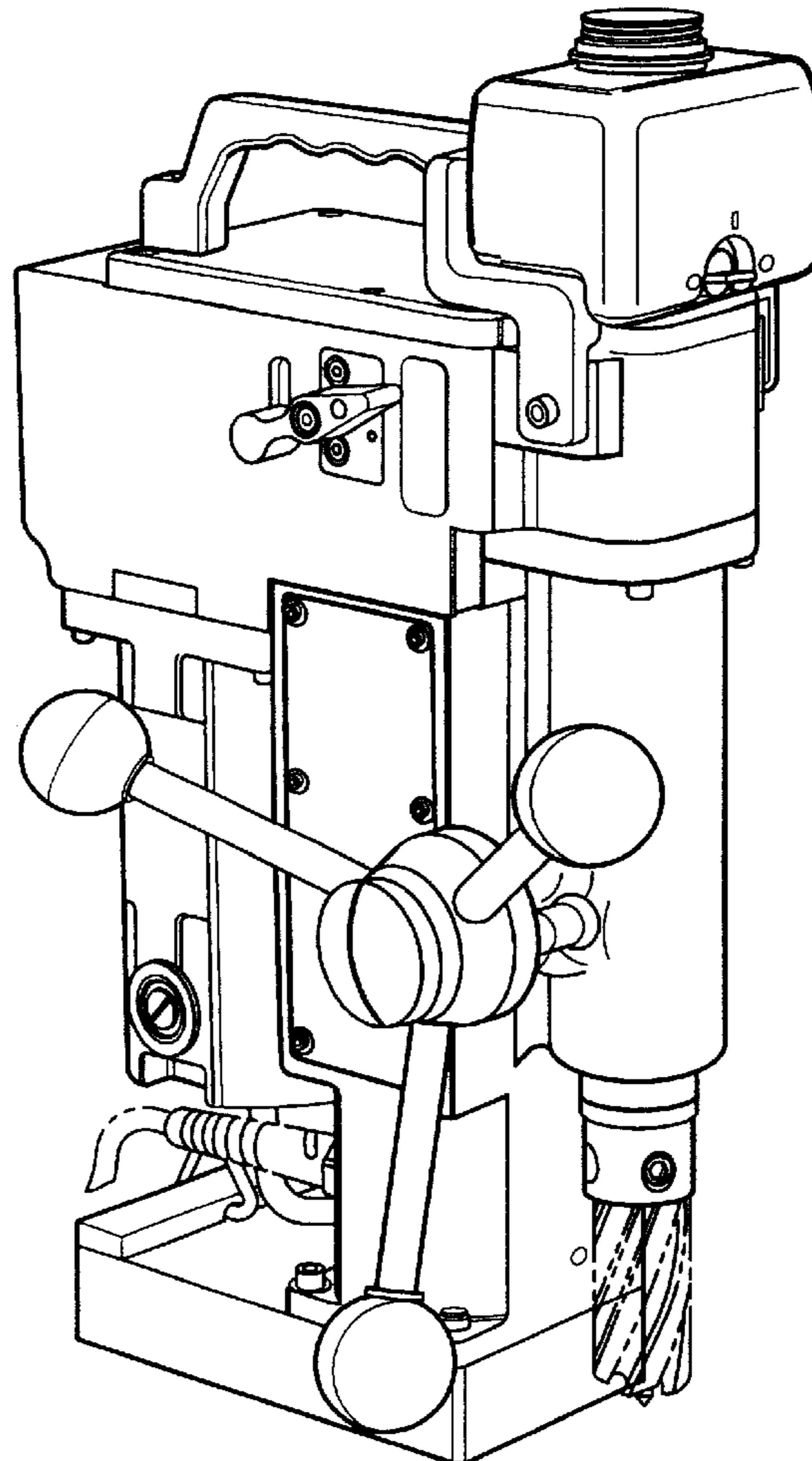
FIG. 5 is a rear end view of the inventive drill as seen in FIG. 1.

FIG. 6 is a top plan view of the inventive drill; and,

FIG. 7 is a bottom plan view of the inventive drill.

The broken line showing is for illustrative purposes only and forms no part of the claimed design.

1 Claim, 3 Drawing Sheets



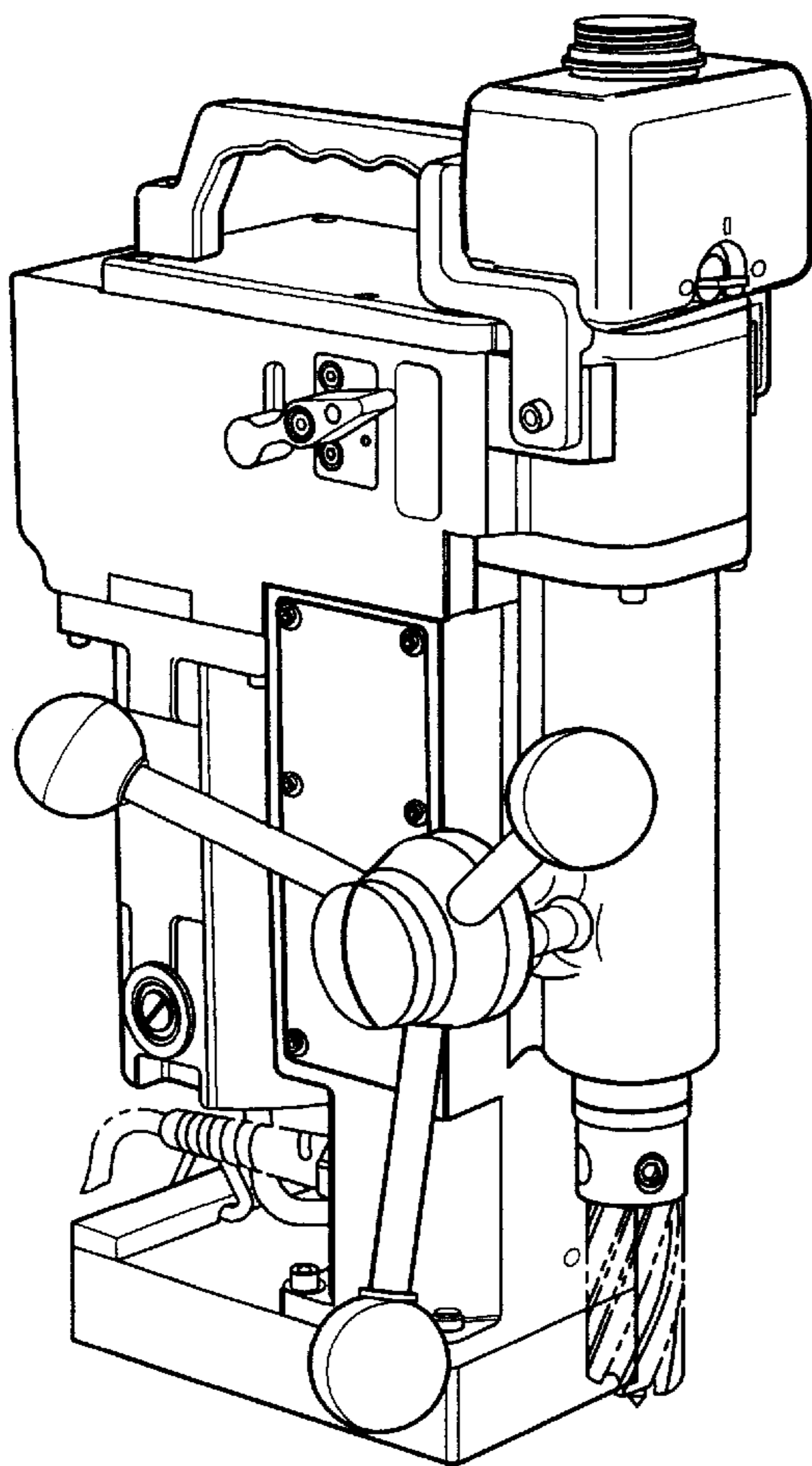


Fig-1

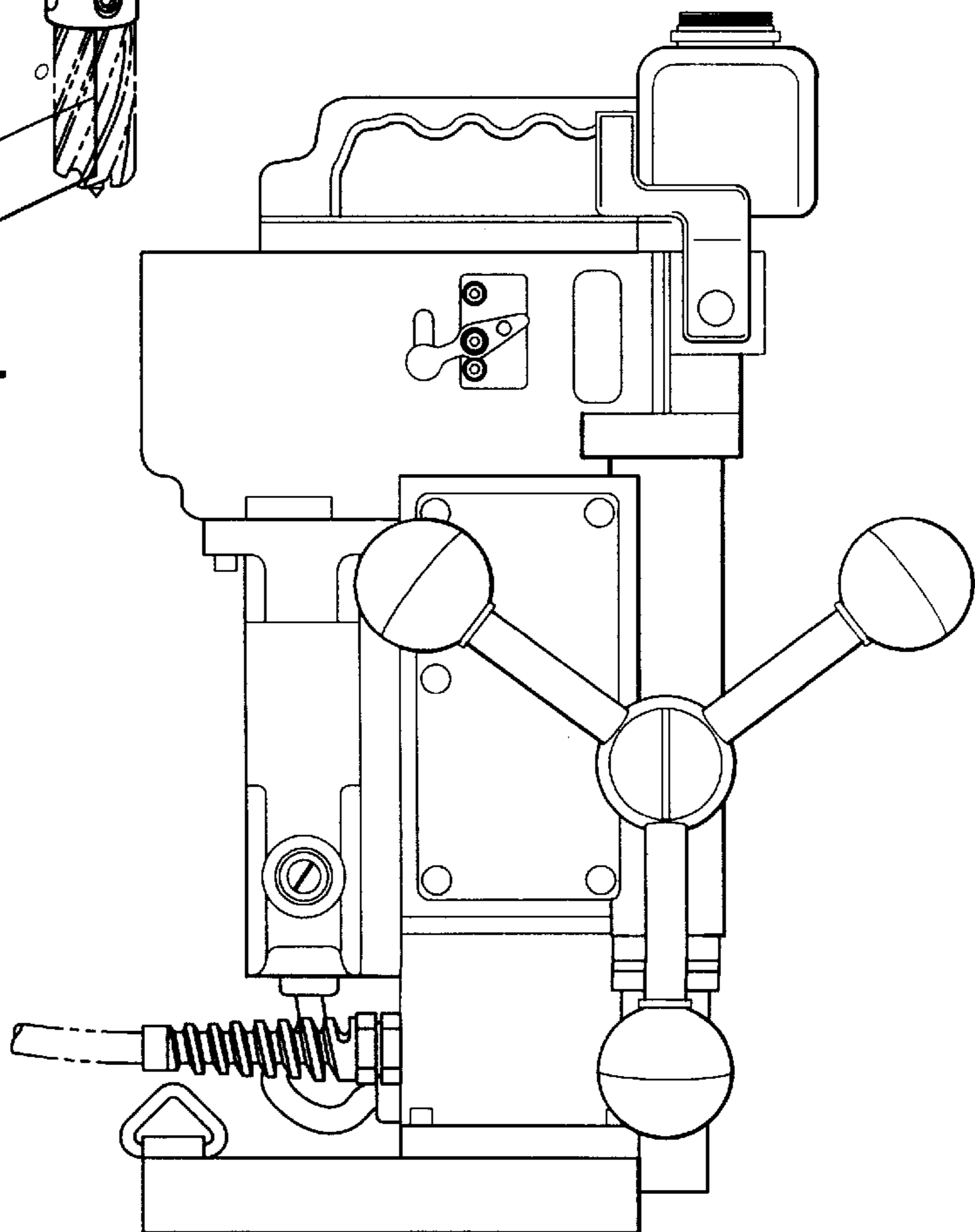


Fig-2

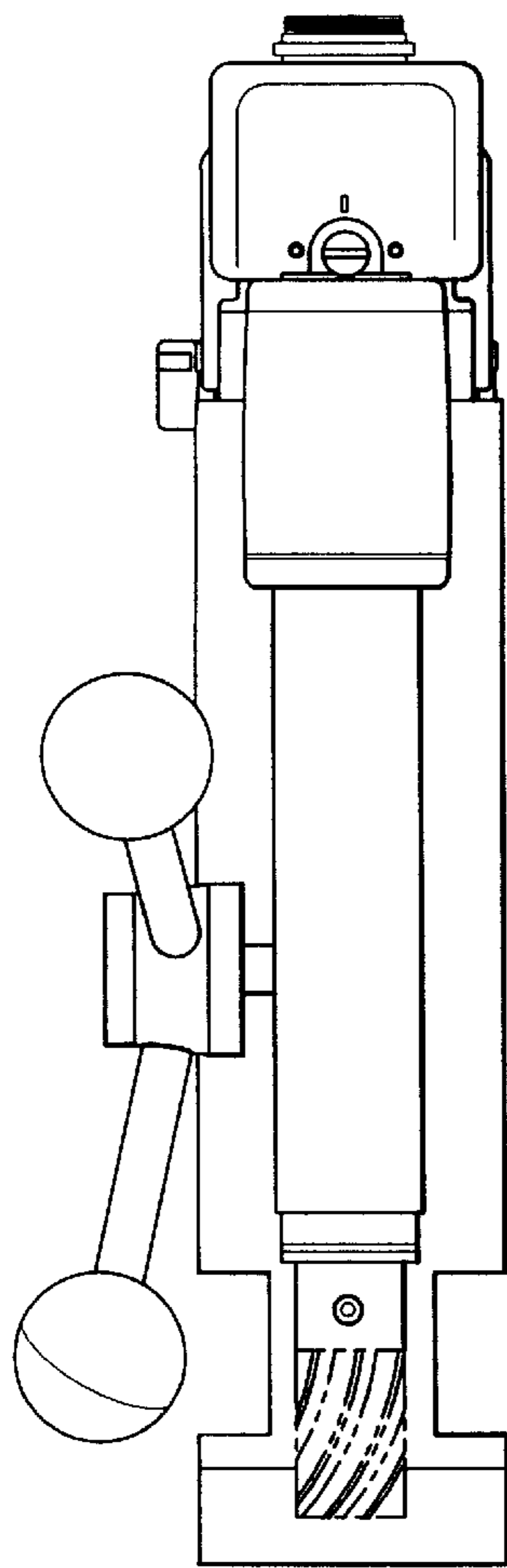


Fig-3

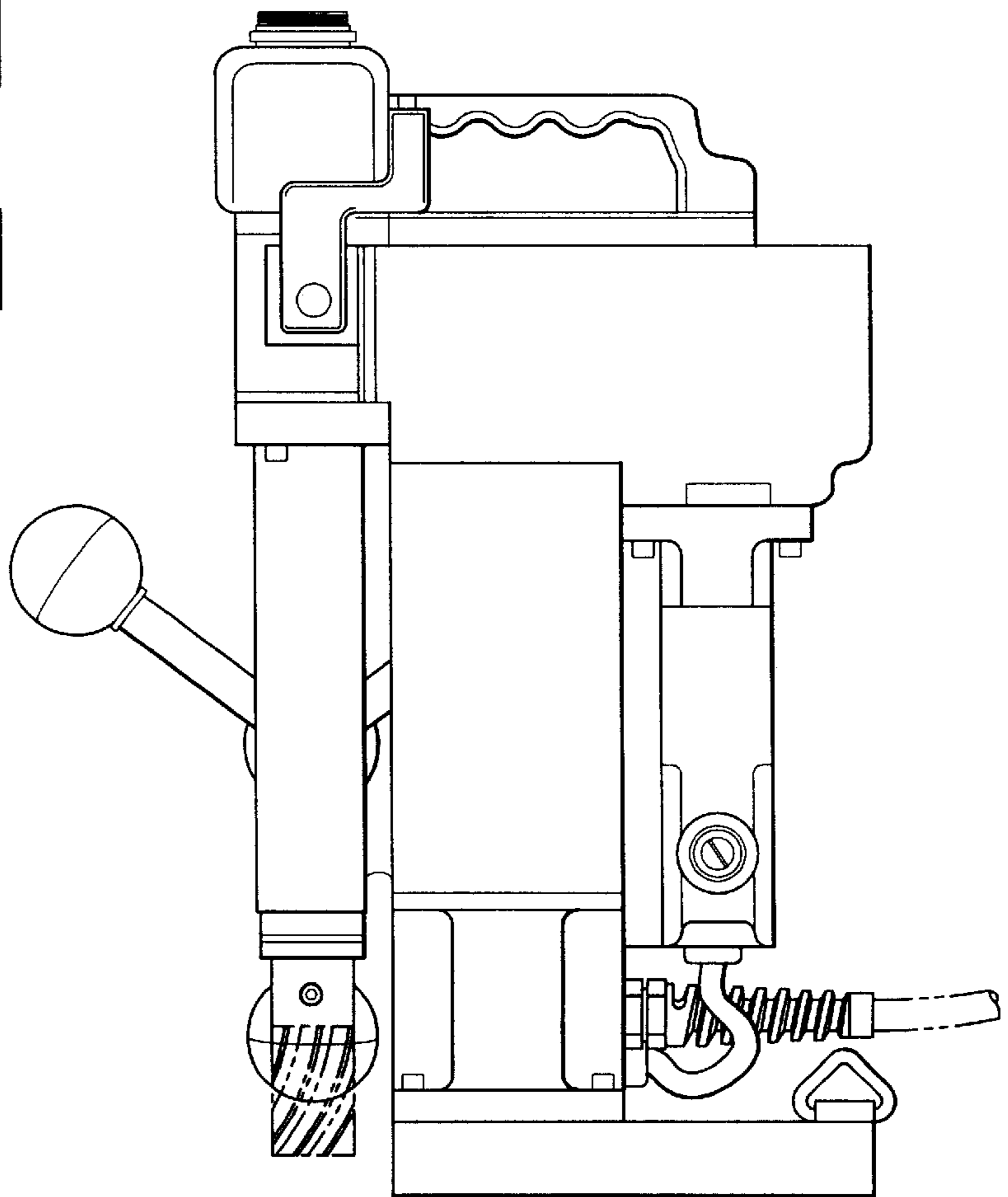


Fig-4

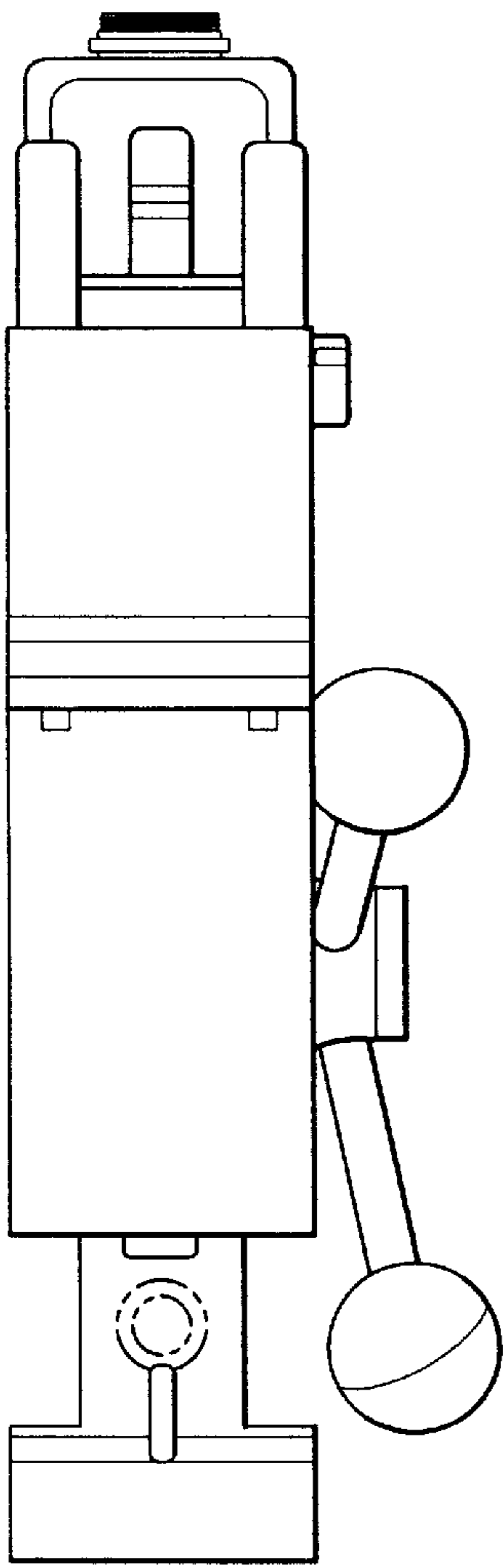


Fig-5

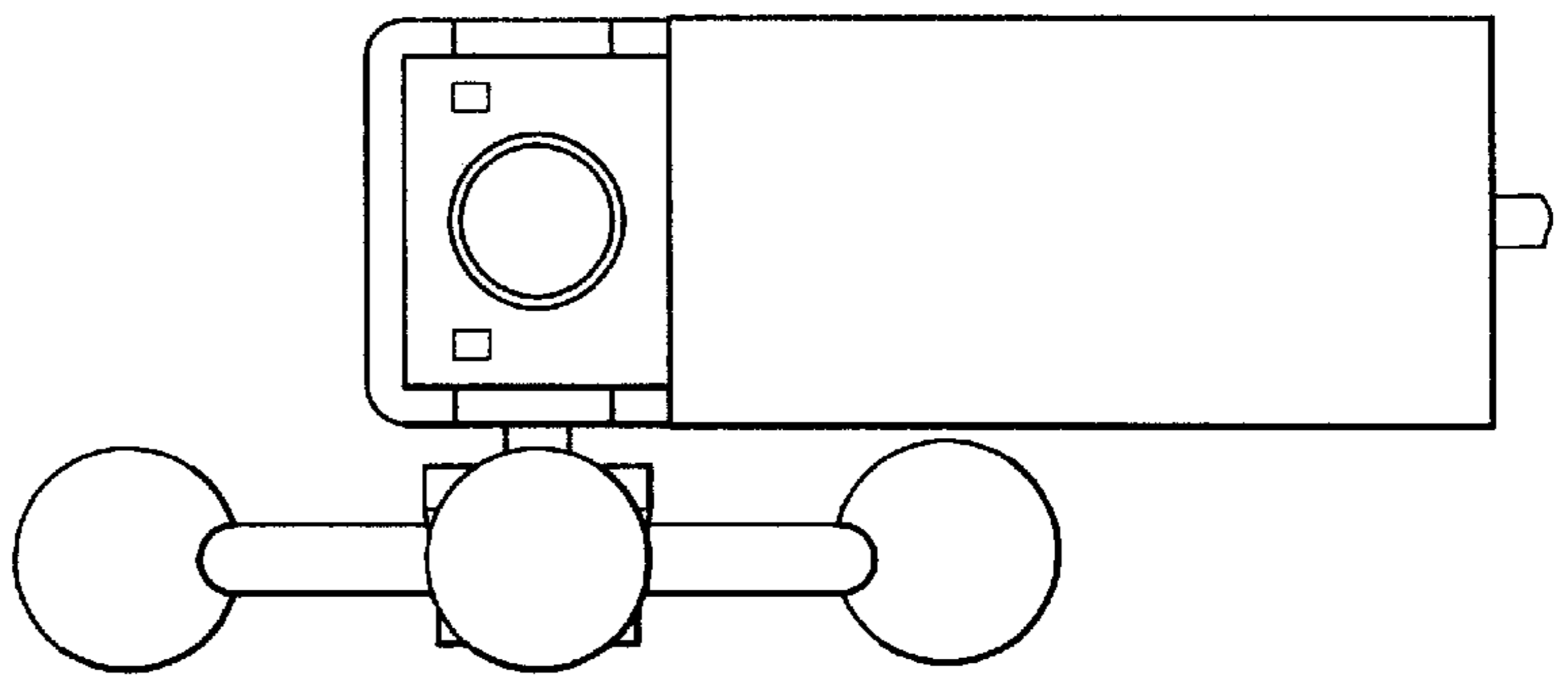


Fig-6

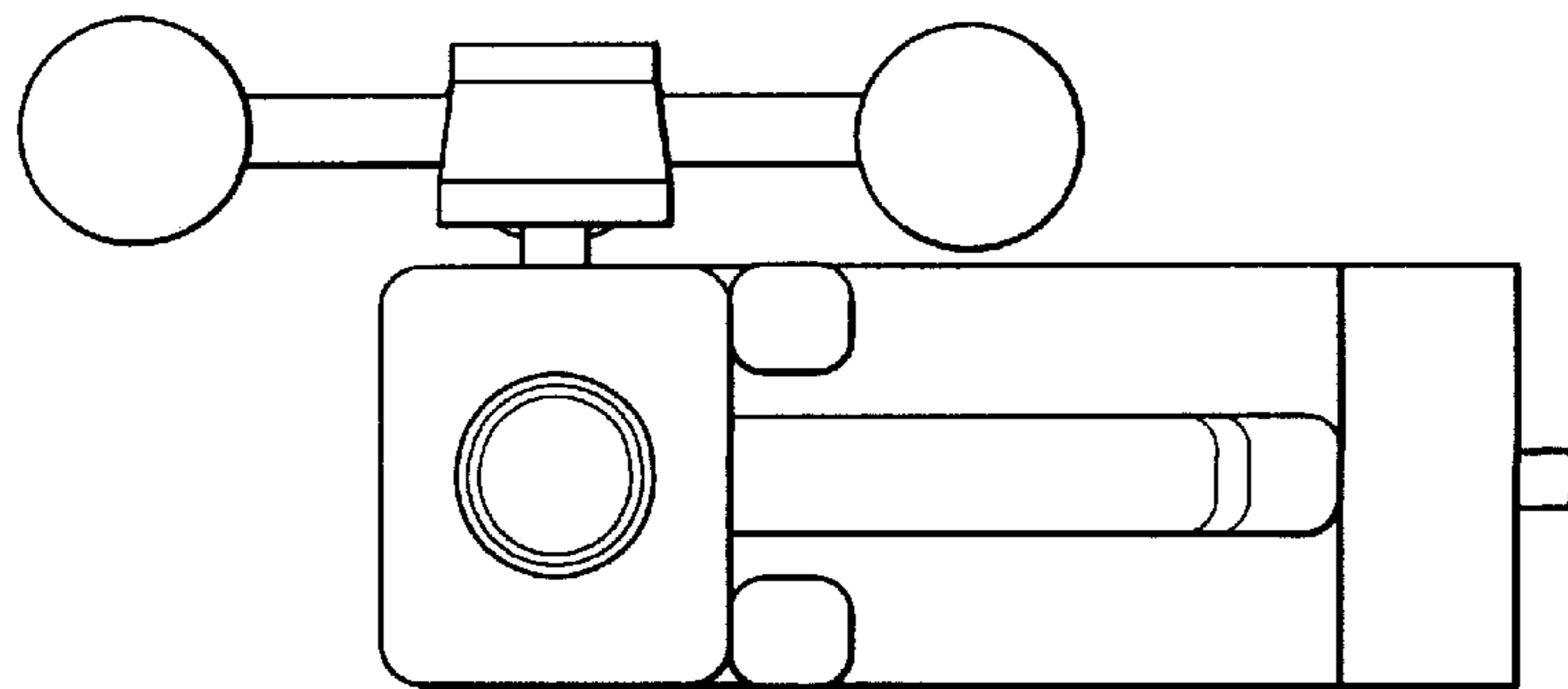


Fig-7