



US00D447493B1

(12) **United States Design Patent**
Shelley et al.

(10) **Patent No.:** **US D447,493 S**

(45) **Date of Patent:** **** Sep. 4, 2001**

(54) **REMOVABLE ICE BUCKET**

(75) Inventors: **Kenneth Todd Shelley**, St. Joseph;
Daniel H. Quinlan, Stevensville;
Sandra C. Steward, Benton Harbor, all
of MI (US)

(73) Assignee: **Whirlpool Corporation**, Benton
Harbor, MI (US)

(**) Term: **14 Years**

(21) Appl. No.: **29/126,155**

(22) Filed: **Jul. 11, 2000**

(51) **LOC (7) Cl.** **15-07**

(52) **U.S. Cl.** **D15/90**

(58) **Field of Search** D15/89, 90; 62/137,
62/344; 193/2 R

(56) **References Cited**

U.S. PATENT DOCUMENTS

3,545,217	*	12/1970	Linstromberg	62/137
6,148,624	*	11/2000	Bishop et al.	62/137
6,158,564	*	12/2000	Derelanko	193/2 R

* cited by examiner

Primary Examiner—Mitchell Siegel

(74) *Attorney, Agent, or Firm*—Stephen Krefman; Robert
O. Rice; Joel M. Van Winkle

(57) **CLAIM**

The ornamental design for a removable ice bucket, as shown
and described.

DESCRIPTION

FIG. 1 is a right perspective view of a removable ice bucket
showing our new design in a freezer door.

FIG. 2 is a left perspective view of a removable ice bucket
showing our new design in a freezer door.

FIG. 3 is a right side view of a removable ice bucket
showing our new design.

FIG. 4 is a left side view of a removable ice bucket showing
our new design.

FIG. 5 is a front elevation view of a removable ice bucket
showing our new design.

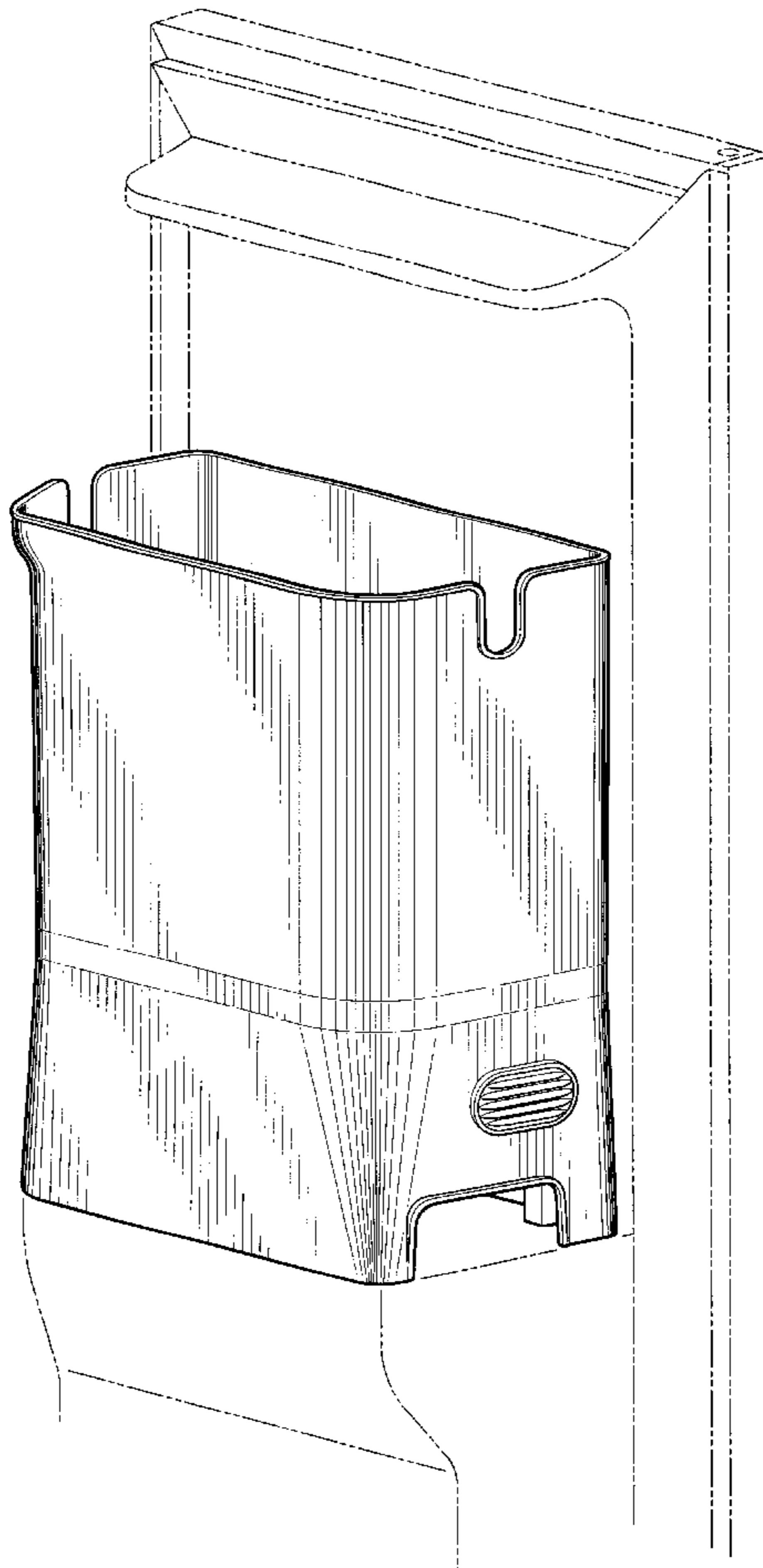
FIG. 6 is a rear elevation view of a removable ice bucket
showing our new design; and,

FIG. 7 is a top plan view of a removable ice bucket showing
our new design.

The broken lines shown in FIGS. 1 and 2 are for environ-
ment and form no part of the claimed design.

The bottom forms no part of the claimed design.

1 Claim, 4 Drawing Sheets



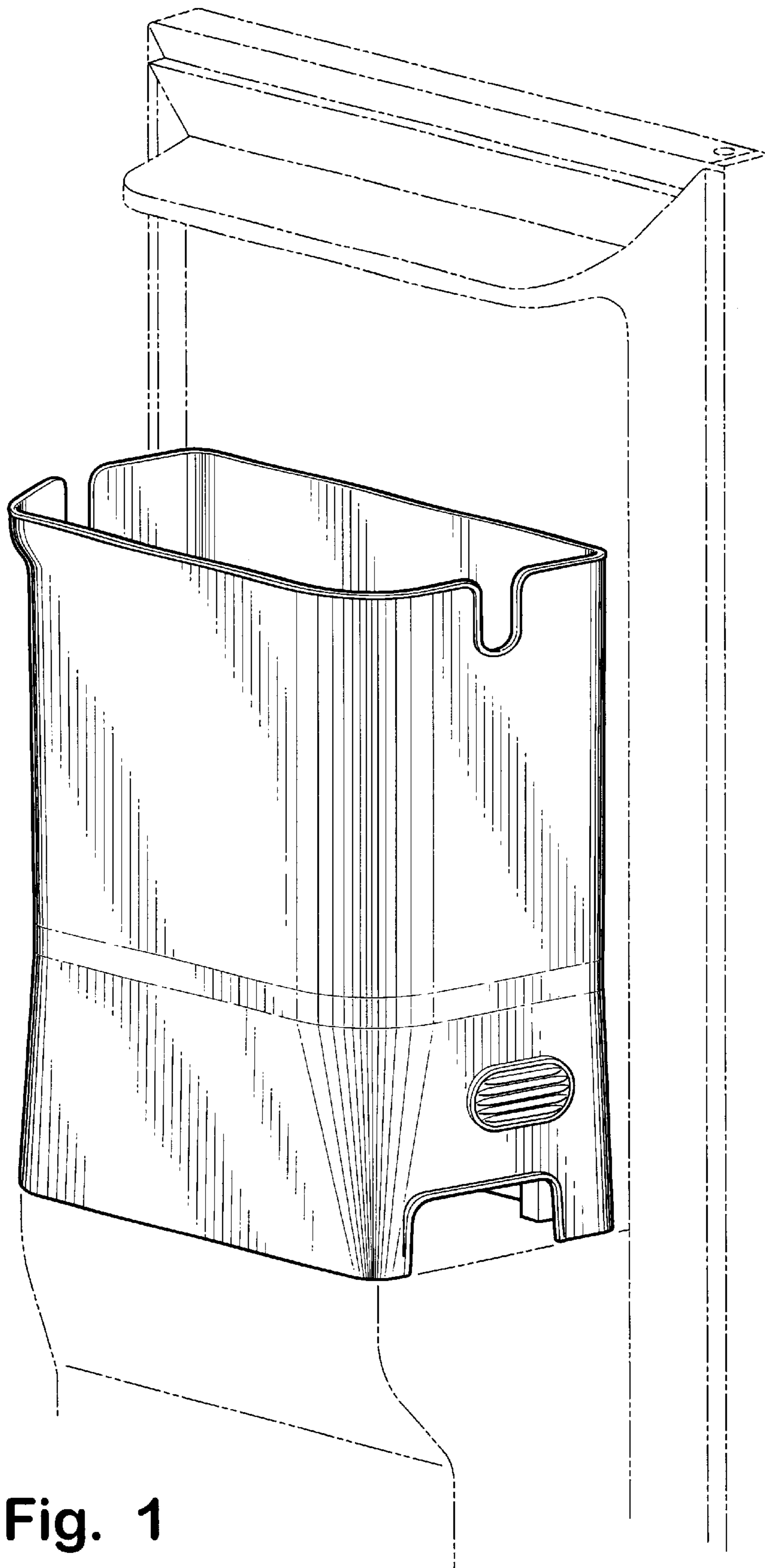


Fig. 1

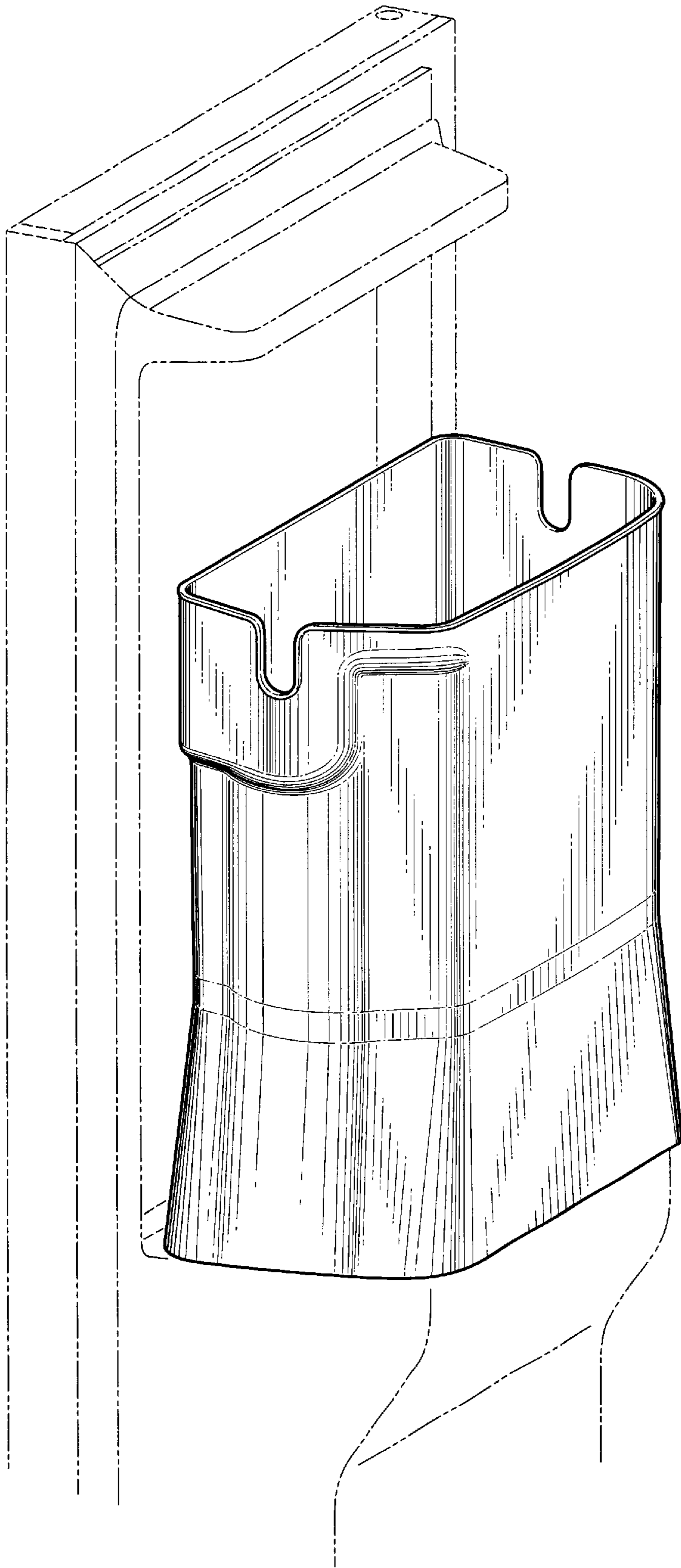


Fig. 2

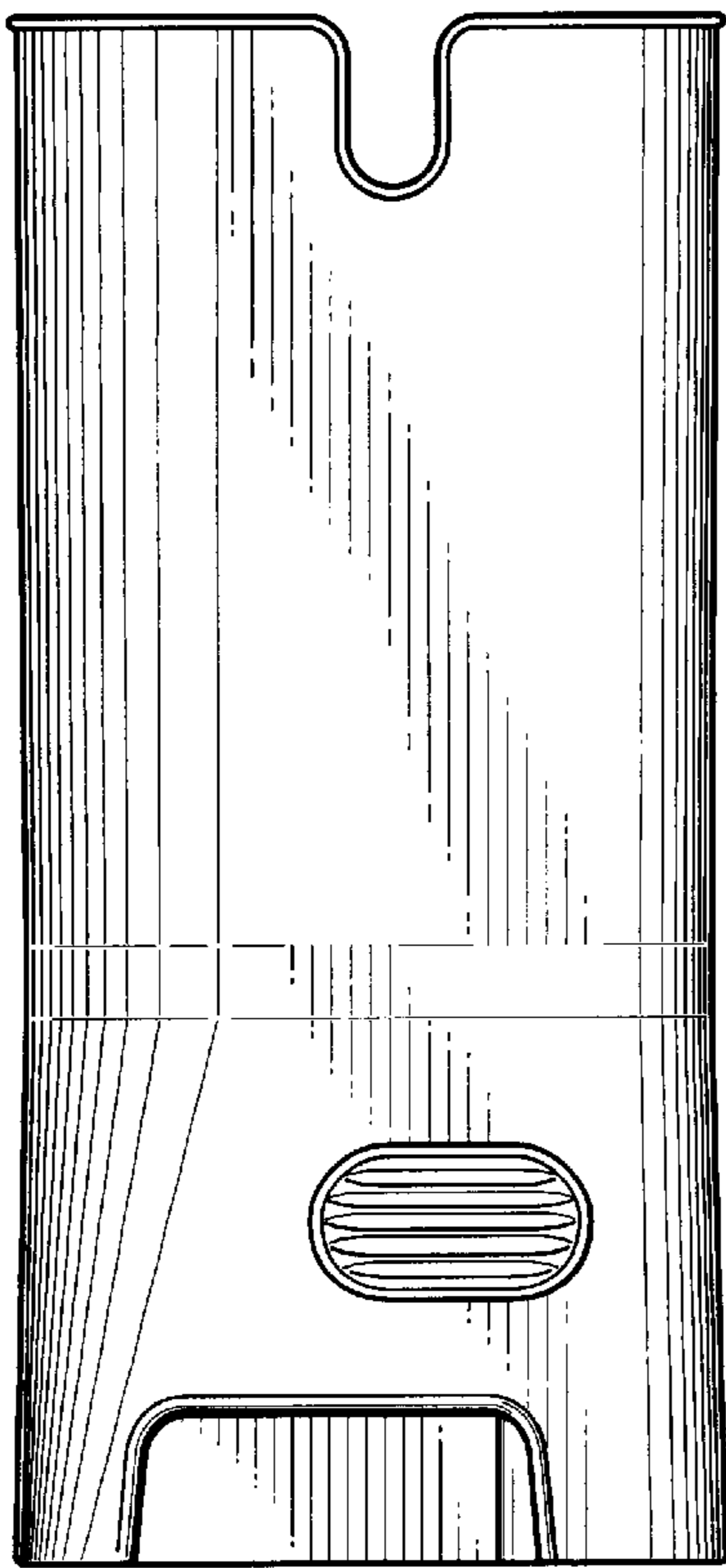


Fig. 3

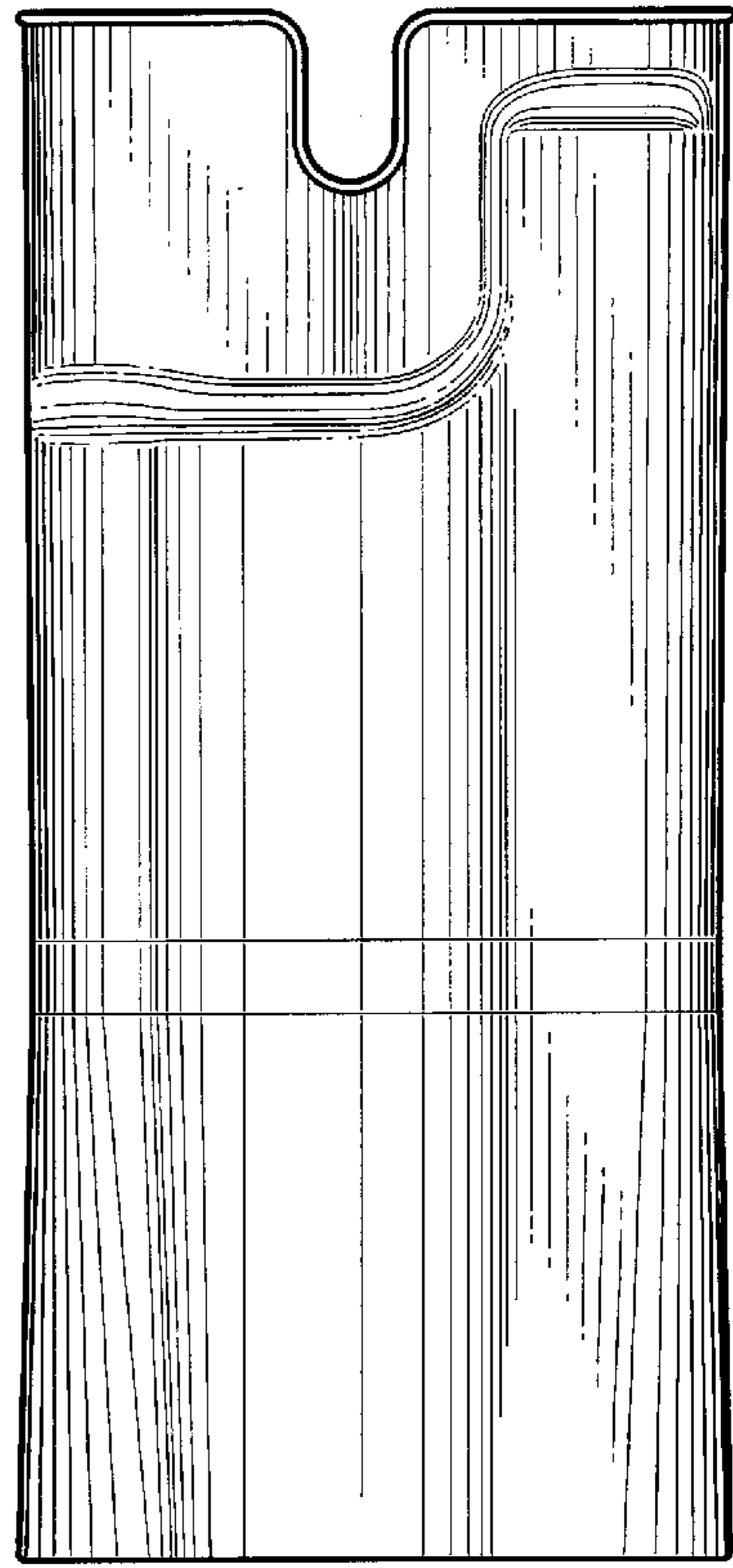


Fig. 4

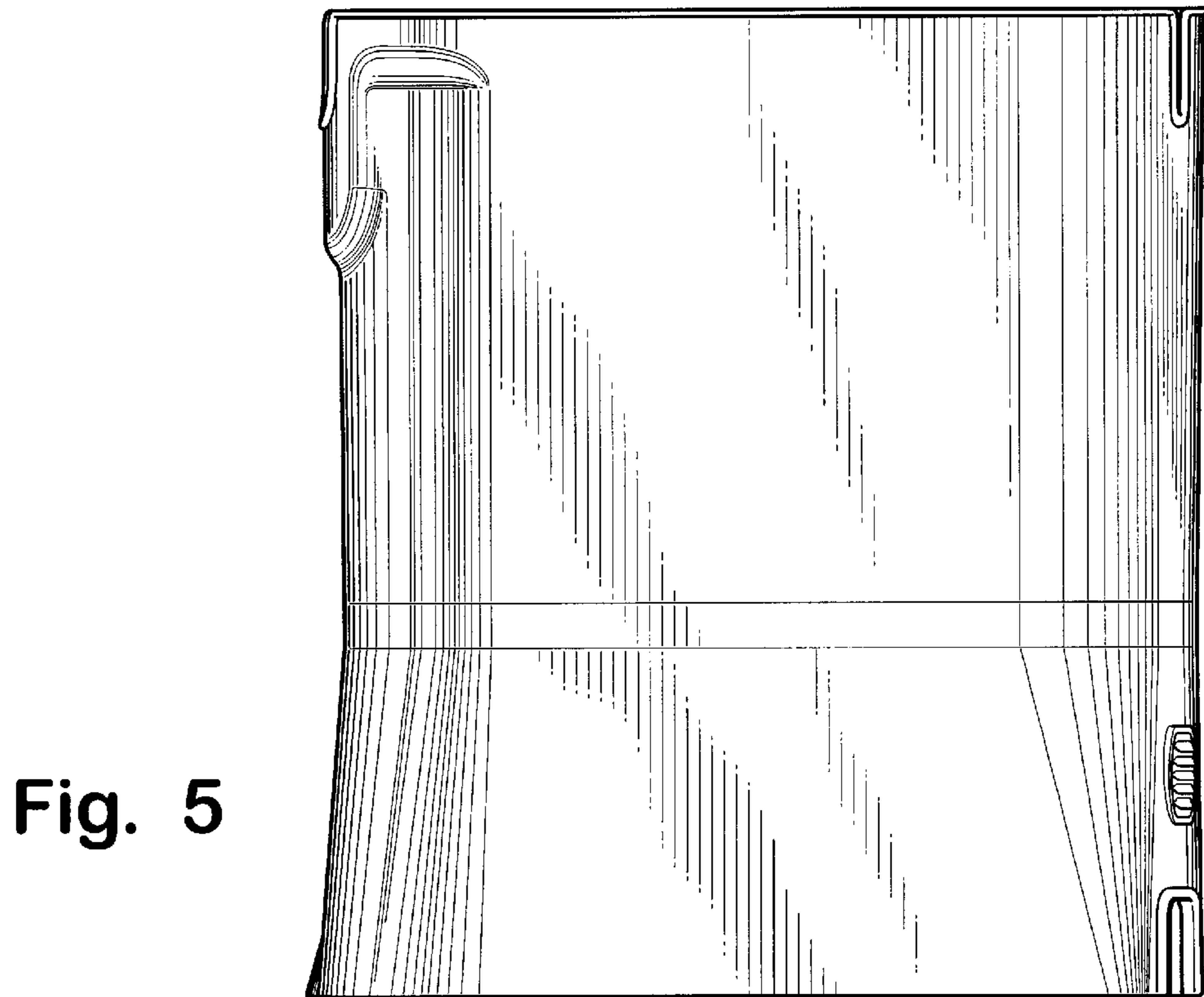


Fig. 5

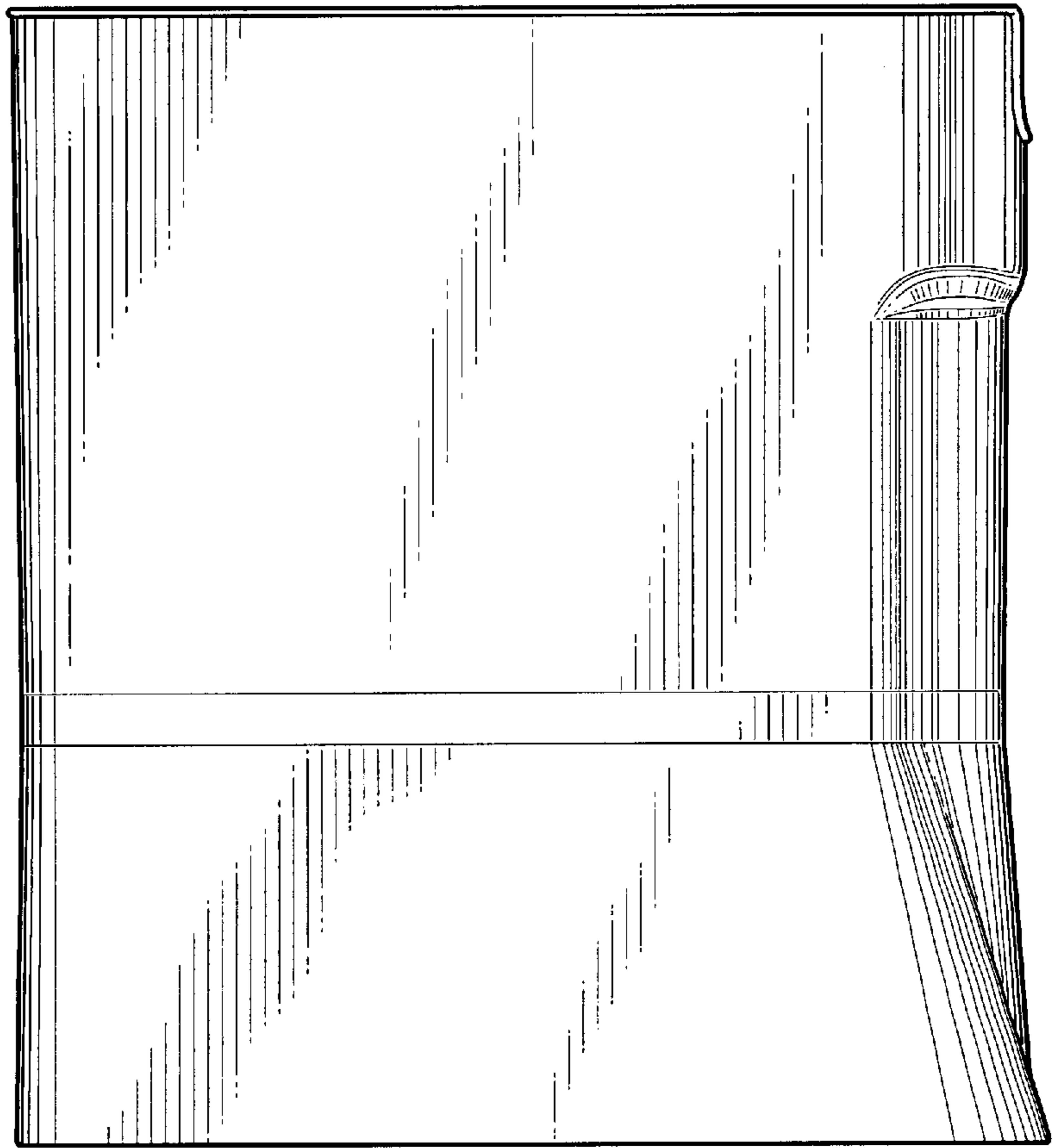


Fig. 6

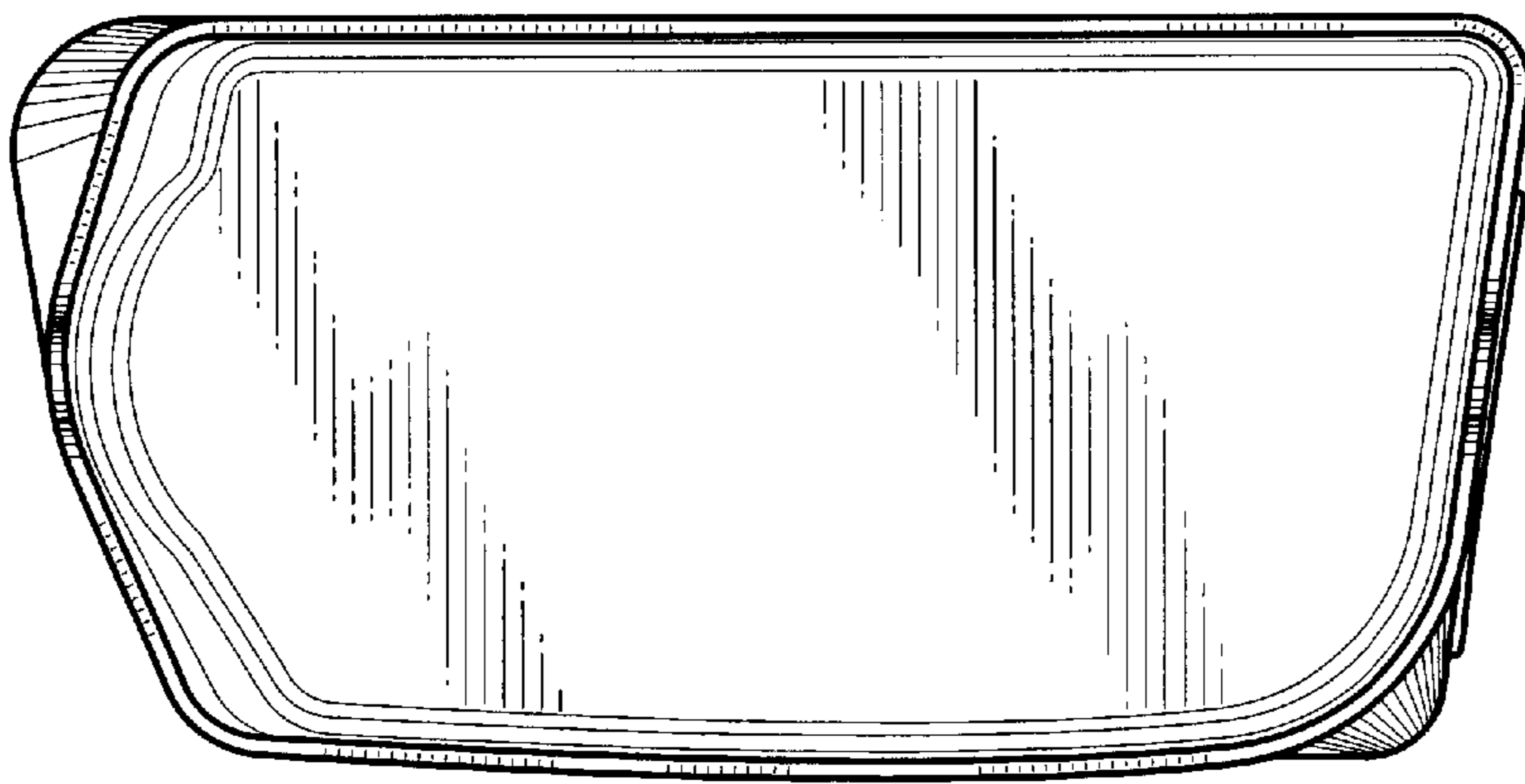


Fig. 7