



US00D447489B1

(12) **United States Design Patent**  
**Antony et al.**

(10) **Patent No.:** **US D447,489 S**

(45) **Date of Patent:** **\*\* Sep. 4, 2001**

(54) **GEAR HOUSING ASSEMBLY**

(75) Inventors: **Gerhard Antony; Arthur Pantelides,**  
both of Virginia Beach; **William Long,**  
Chesapeake, all of VA (US)

(73) Assignee: **Sumitomo Machinery Corp. of**  
**America,** Chesapeake, VA (US)

(\*\*) Term: **14 Years**

(21) Appl. No.: **29/122,949**

(22) Filed: **May 8, 2000**

**Related U.S. Application Data**

(60) Division of application No. 29/103,589, filed on Apr. 16,  
1999, which is a continuation-in-part of application No.  
29/102,575, filed on Mar. 26, 1999, now Pat. No. Des.  
431,572.

(51) **LOC (7) Cl.** ..... **15-01**

(52) **U.S. Cl.** ..... **D15/5**

(58) **Field of Search** ..... D15/5-7, 148;  
74/489, 606 R, 606 A, 607; 474/82, 144,  
146; 476/42; 20/606 R; D12/124

(56) **References Cited**

**U.S. PATENT DOCUMENTS**

- D. 327,272 \* 6/1992 Cadotte et al. .... D15/7
- D. 327,273 \* 6/1992 Cadotte et al. .... D15/7

- D. 356,094 \* 3/1995 Curtis ..... D15/5
- D. 405,096 \* 2/1999 Dudeck ..... D15/7
- D. 410,659 \* 6/1999 Lannoch ..... D15/5
- D. 431,572 \* 10/2000 Antony et al. .... D15/5

\* cited by examiner

*Primary Examiner*—Melody N. Brown

(74) *Attorney, Agent, or Firm*—Arent Fox Kintner Plotkin  
& Kahn, PLLC

(57) **CLAIM**

The ornamental design for a gear housing assembly, as  
shown and described.

**DESCRIPTION**

FIG. 1 is a perspective view of an embodiment showing our  
new design configured solely as a gear housing assembly  
with the mounting structure, input shaft structure and output  
shaft shown in dotted line;

FIG. 2 is a top view thereof;

FIG. 3 is a front view thereof;

FIG. 4 is a back view thereof;

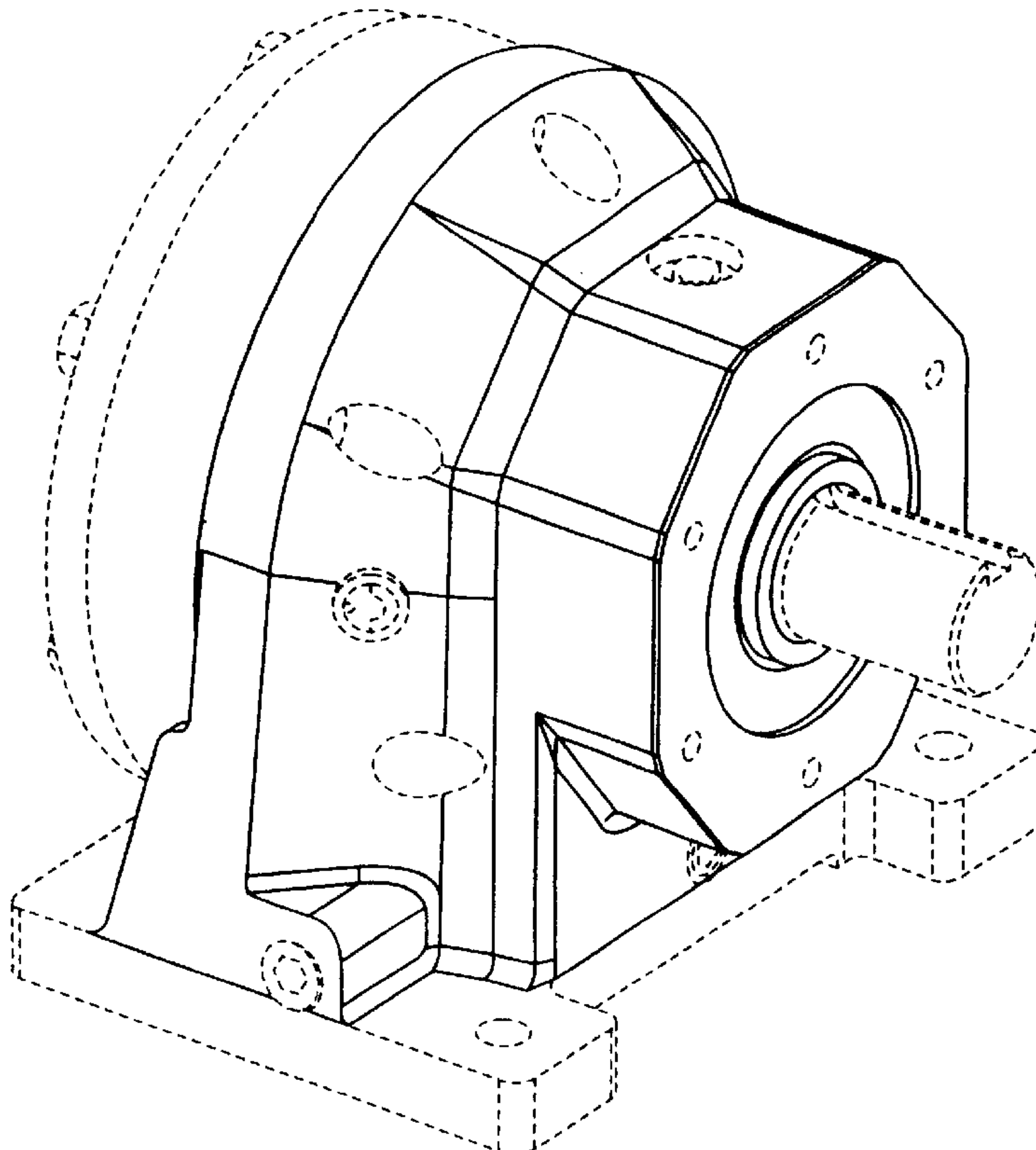
FIG. 5 is a left side view thereof;

FIG. 6 is a right side view thereof; and,

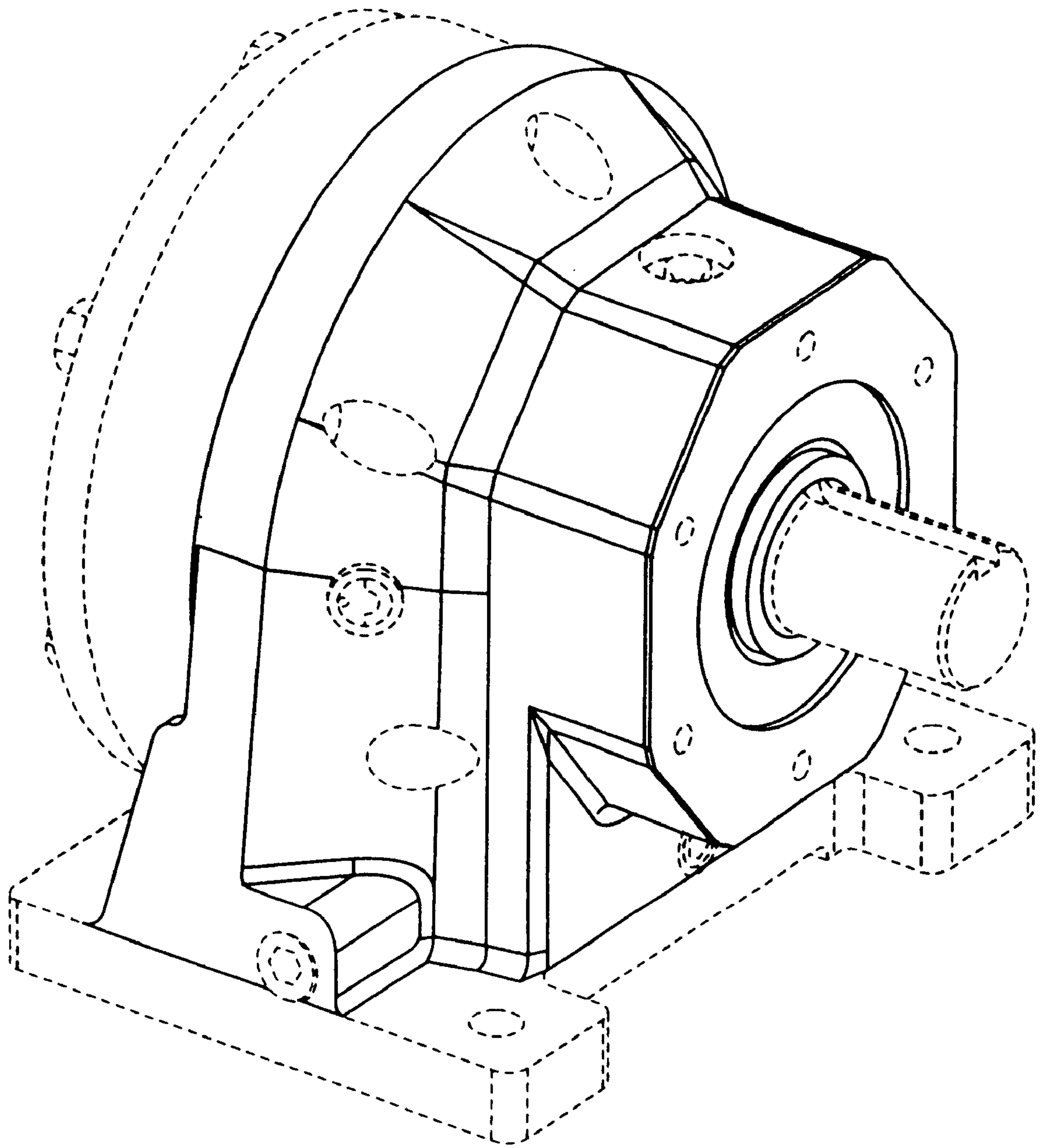
FIG. 7 is a bottom view thereof.

The items shown in broken lines in the various views of the  
Figures do not form a part of our inventive design and are  
not claimed herein.

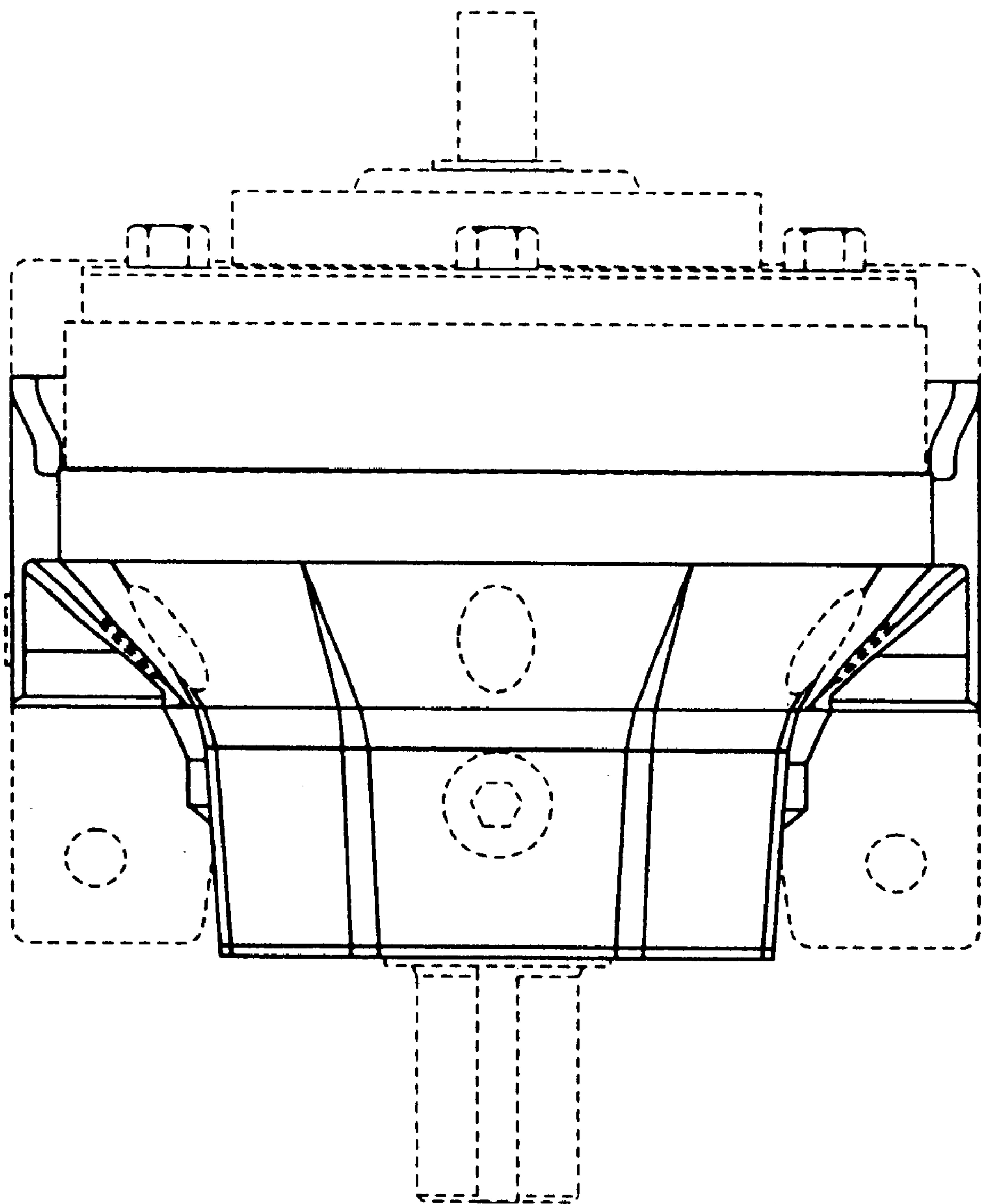
**1 Claim, 5 Drawing Sheets**

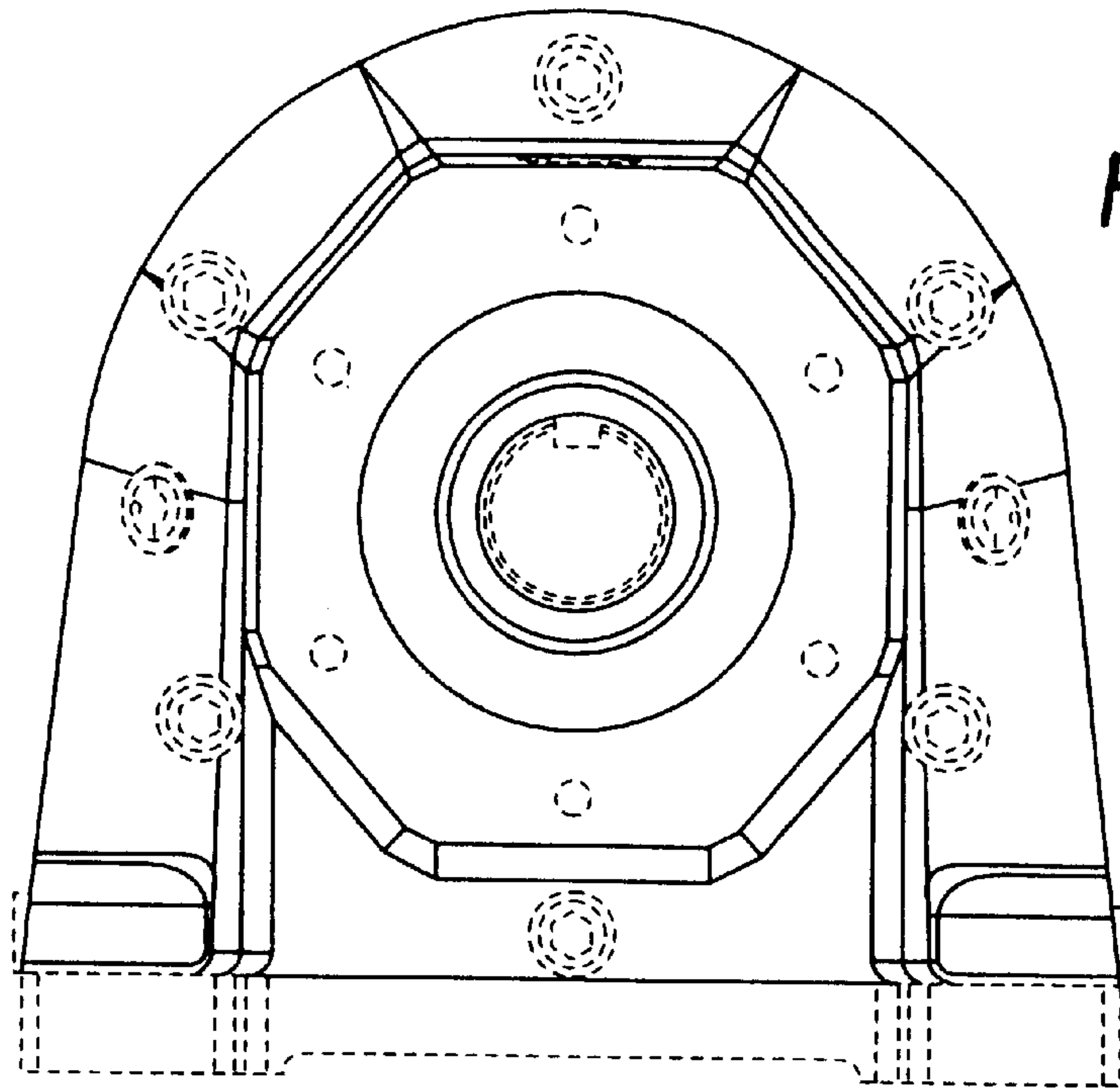


*Fig. 1*



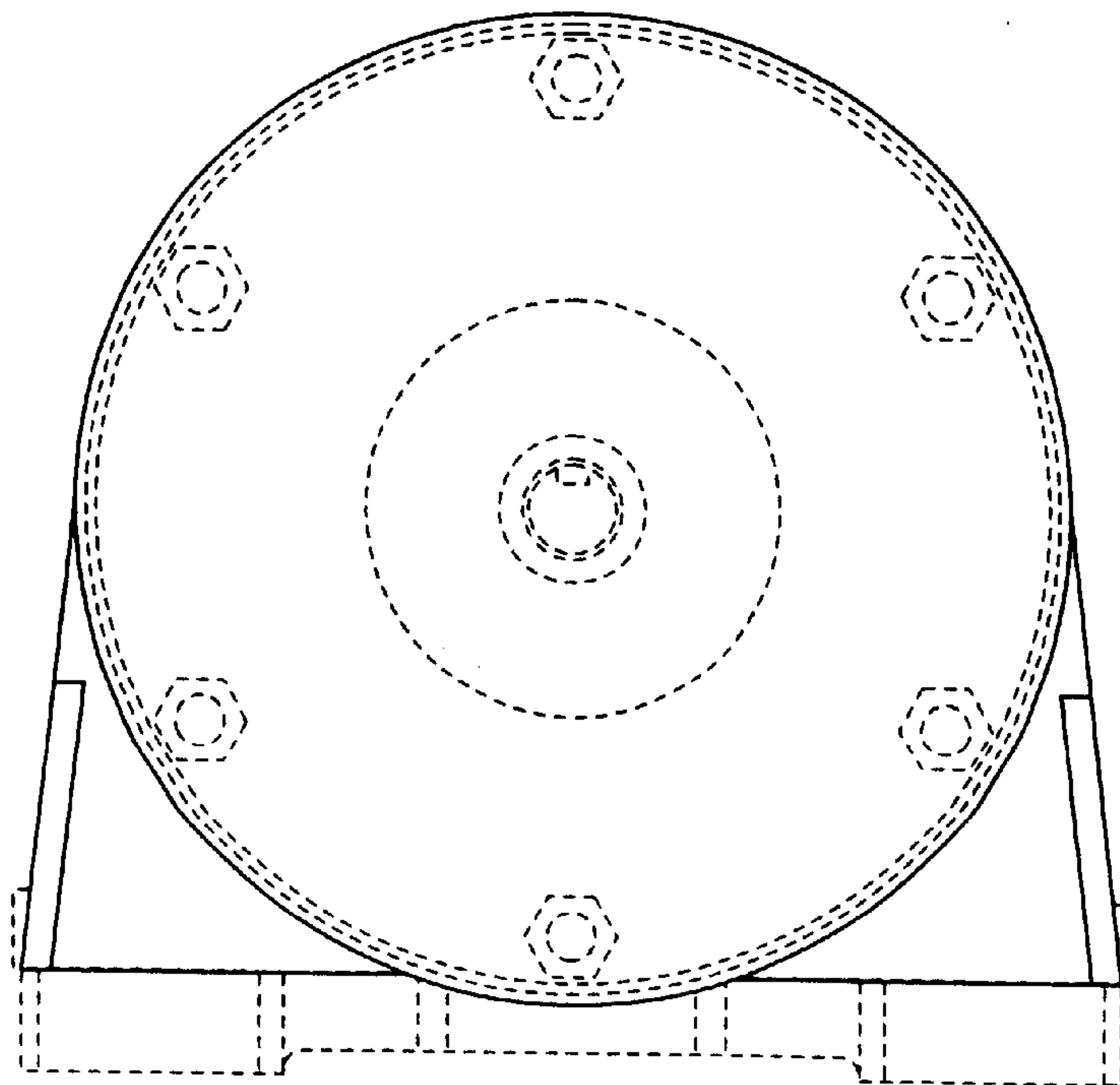
*Fig. 2*

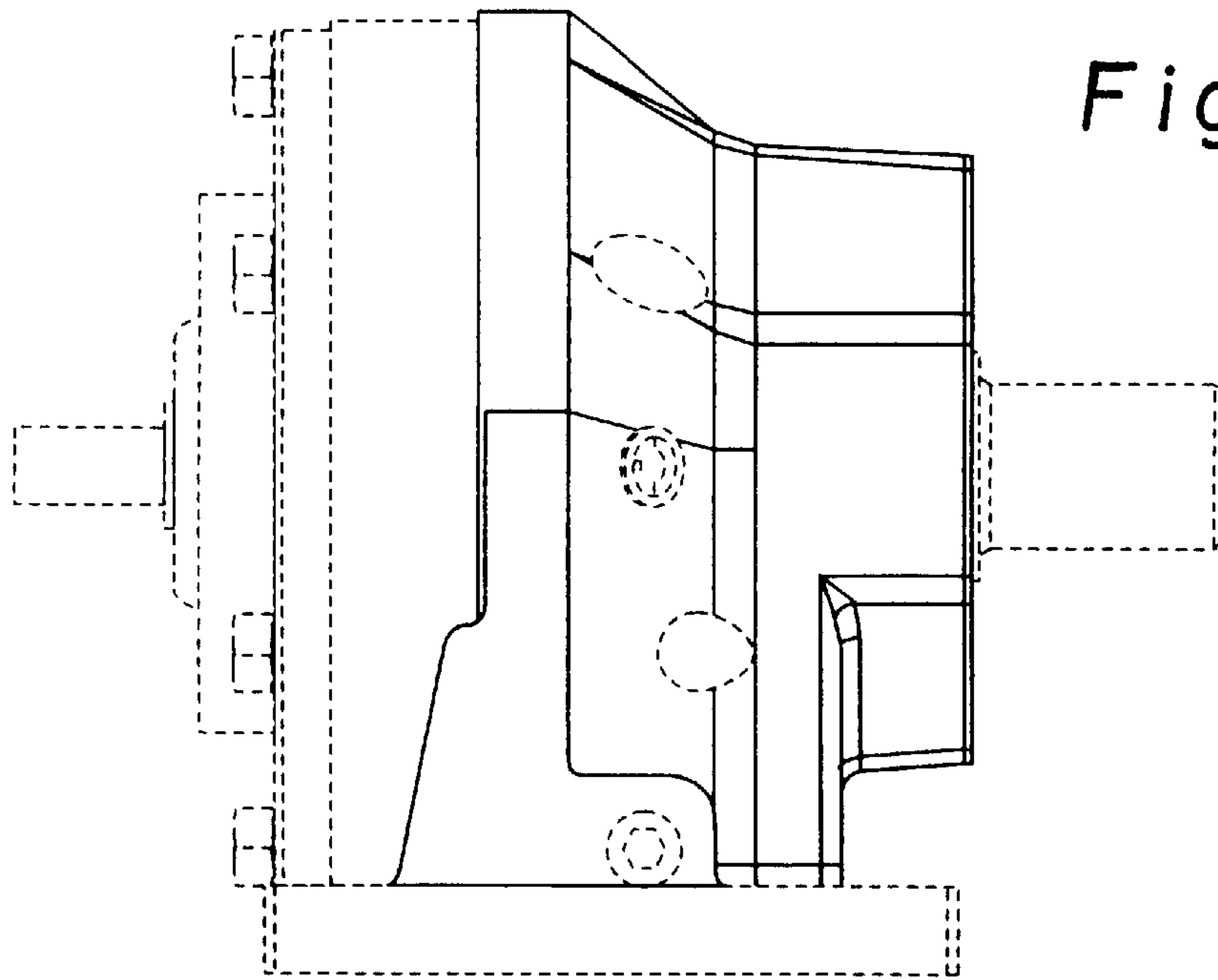




*Fig. 3*

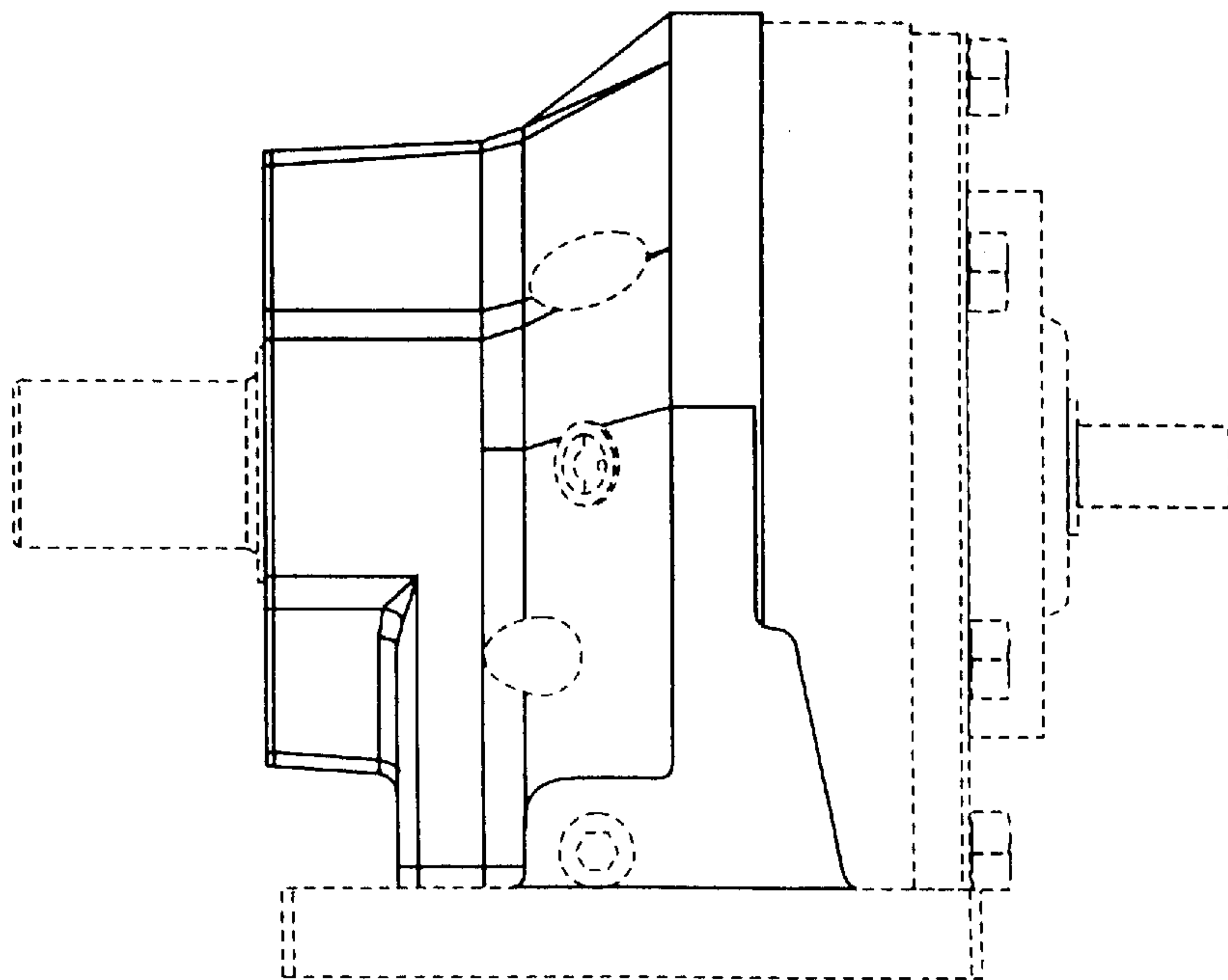
*Fig. 4*





*Fig. 5*

*Fig. 6*



*Fig. 7*

