



US00D447478B1

(12) **United States Design Patent**
Madsen et al.

(10) **Patent No.:** **US D447,478 S**
(45) **Date of Patent:** **** Sep. 4, 2001**

(54) **CASE FOR A HANDHELD COMPUTER SYSTEM**

DESCRIPTION

(75) Inventors: **Brent Madsen**, Providence, UT (US);
E. Michael Lunsford, San Carlos, CA (US);
Michael Collins, Brigham City, UT (US)

(73) Assignee: **3COM Corporation**, Santa Clara, CA (US)

(**) Term: **14 Years**

(21) Appl. No.: **29/129,737**

(22) Filed: **Sep. 20, 2000**

(51) **LOC (7) Cl.** **14-02**

(52) **U.S. Cl.** **D14/345**

(58) **Field of Search** D14/341, 345,
D14/342, 343; D19/26, 59, 60; D6/407;
D3/201; 345/104, 156, 173, 168; 349/12;
206/305; 708/105; 434/201

(56) **References Cited**

U.S. PATENT DOCUMENTS

D. 385,299	*	10/1997	Adams	D14/342
D. 391,987	*	3/1998	Jambhekar et al.	D14/345
D. 426,236	*	6/2000	Kim et al.	D14/345
4,340,375	*	7/1982	Sakaue et al.	434/201
5,632,373	*	5/1997	Kumar et al.	206/305
5,898,600	*	4/1999	Isashi	708/105

* cited by examiner

Primary Examiner—Freda Nunn

(74) *Attorney, Agent, or Firm*—Wagner, Murabito & Hao LLP

(57) **CLAIM**

We claim the ornamental design for a case for a handheld computer system, as shown and described.

FIG. 1 is an upper right front perspective view in the closed position of a case for a handheld computer system;

FIG. 2 is a lower left rear perspective view in the closed position thereof;

FIG. 3 is a front elevational view in the closed position thereof;

FIG. 4 is a right side elevational view in the closed position thereof;

FIG. 5 is a rear elevational view in the closed position thereof;

FIG. 6 is a left side elevational view in the closed position thereof;

FIG. 7 is a top plan view in the closed position thereof;

FIG. 8 is a bottom plan view in the closed position thereof;

FIG. 9 is an upper right front perspective view in the open position, with a handheld computer system installed and shown in dashed lines as it is not a part of the claimed design;

FIG. 10 is an upper right front perspective view in the open position thereof;

FIG. 11 is a front elevational view in the open position thereof;

FIG. 12 is a right side elevational view in the open position thereof;

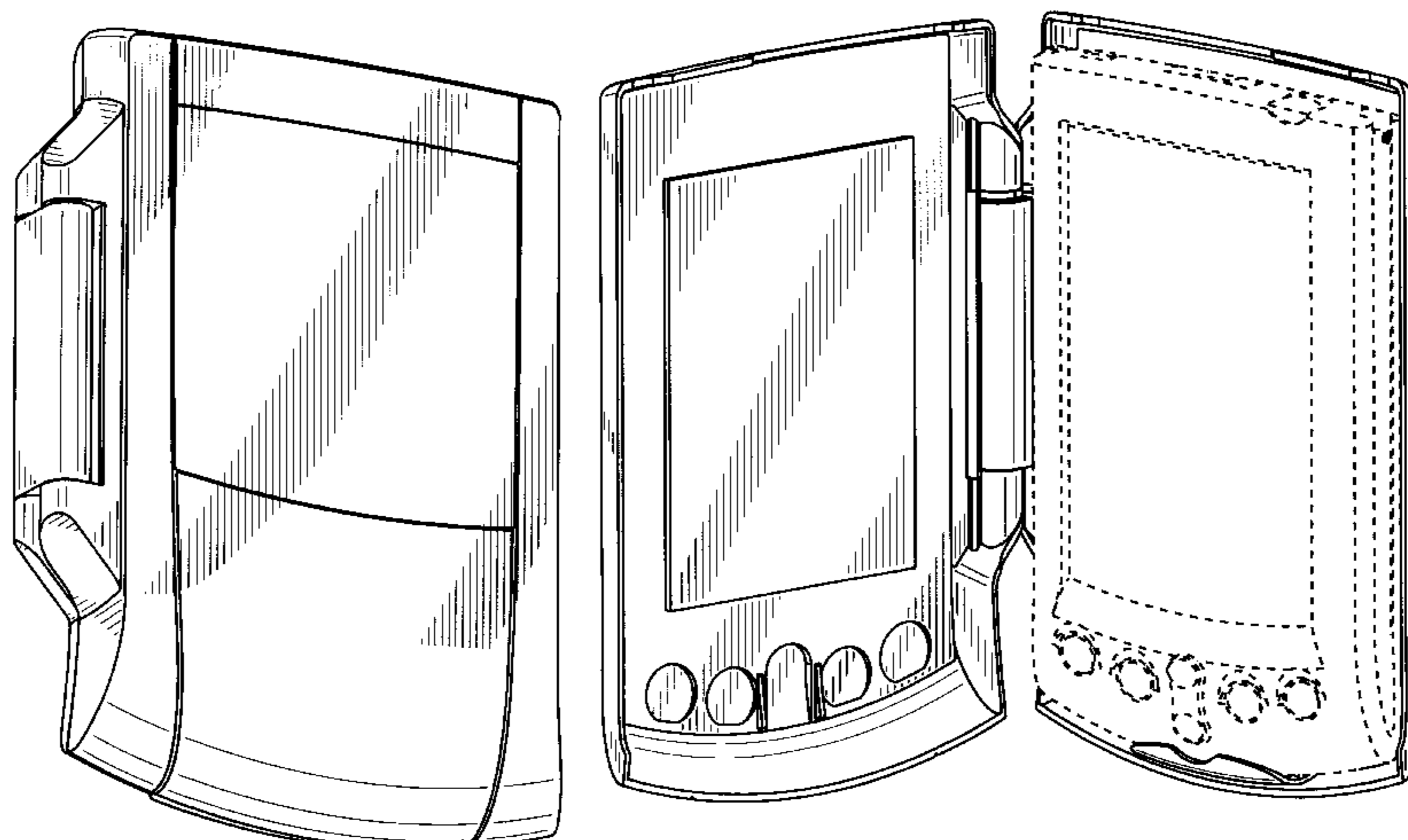
FIG. 13 is a rear elevational view in the open position thereof;

FIG. 14 is a left side elevational view in the open position thereof;

FIG. 15 is a top plan view in the open position thereof; and,

FIG. 16 is a bottom plan view in the open position thereof.

1 Claim, 9 Drawing Sheets



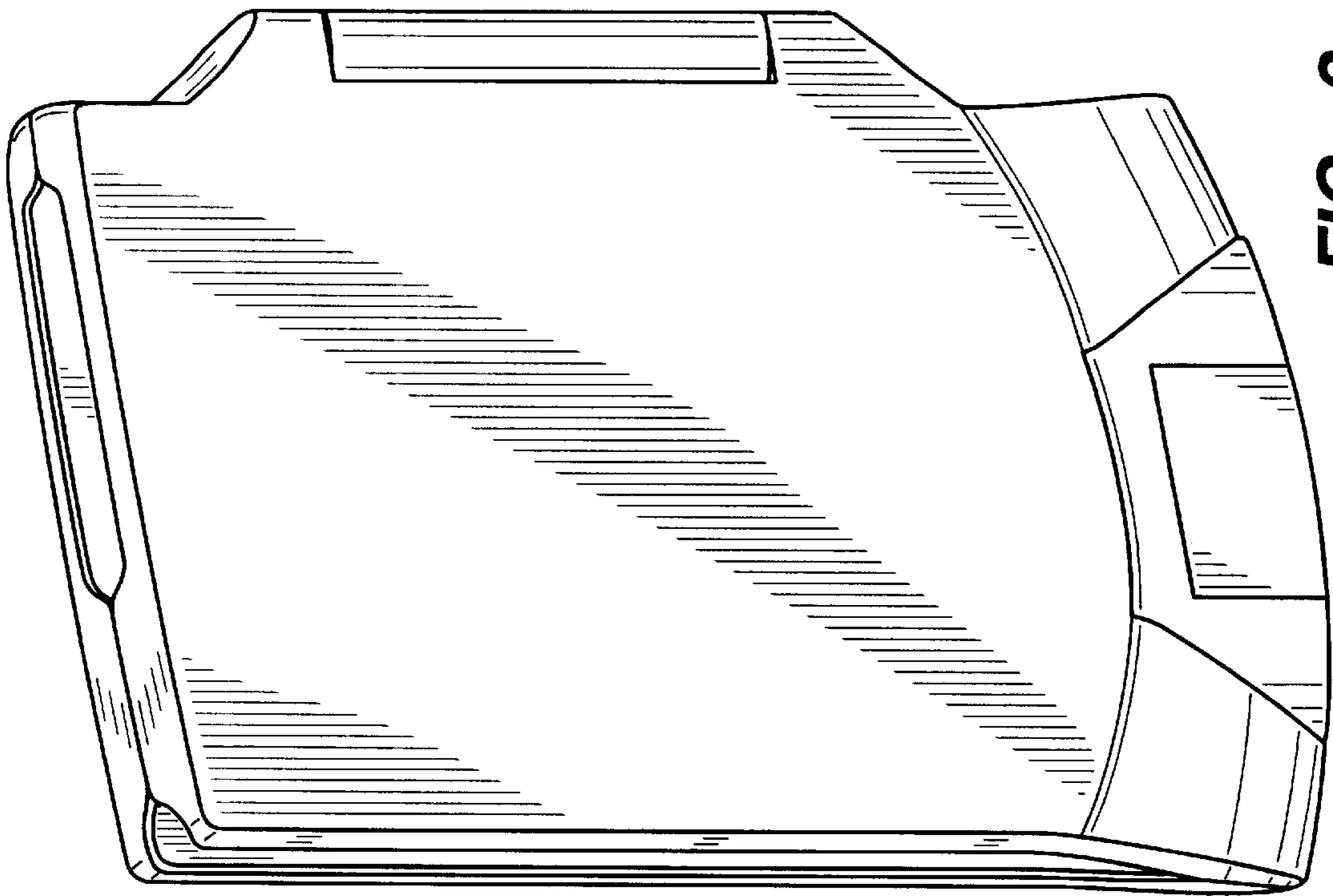


FIG. 2

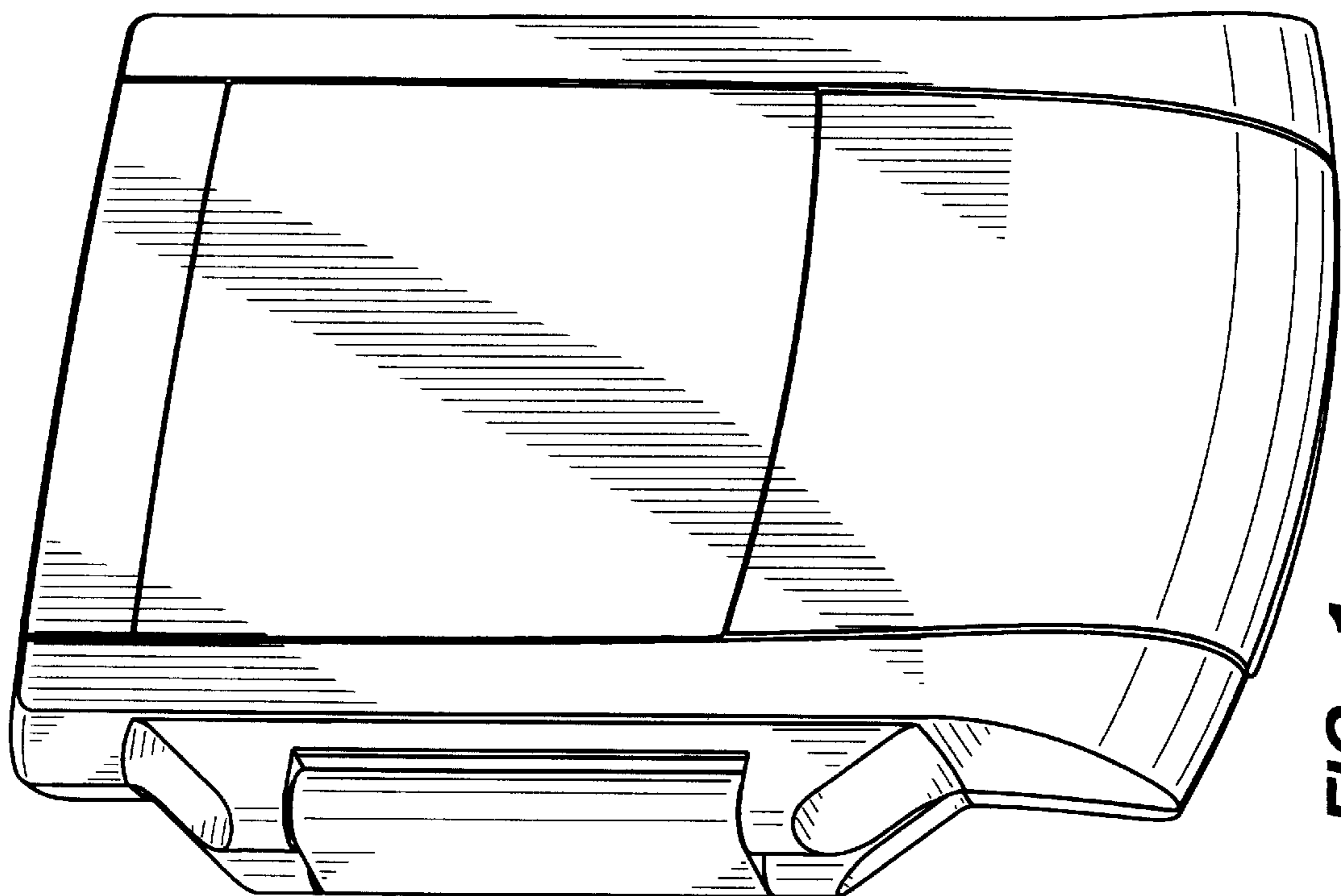


FIG. 1

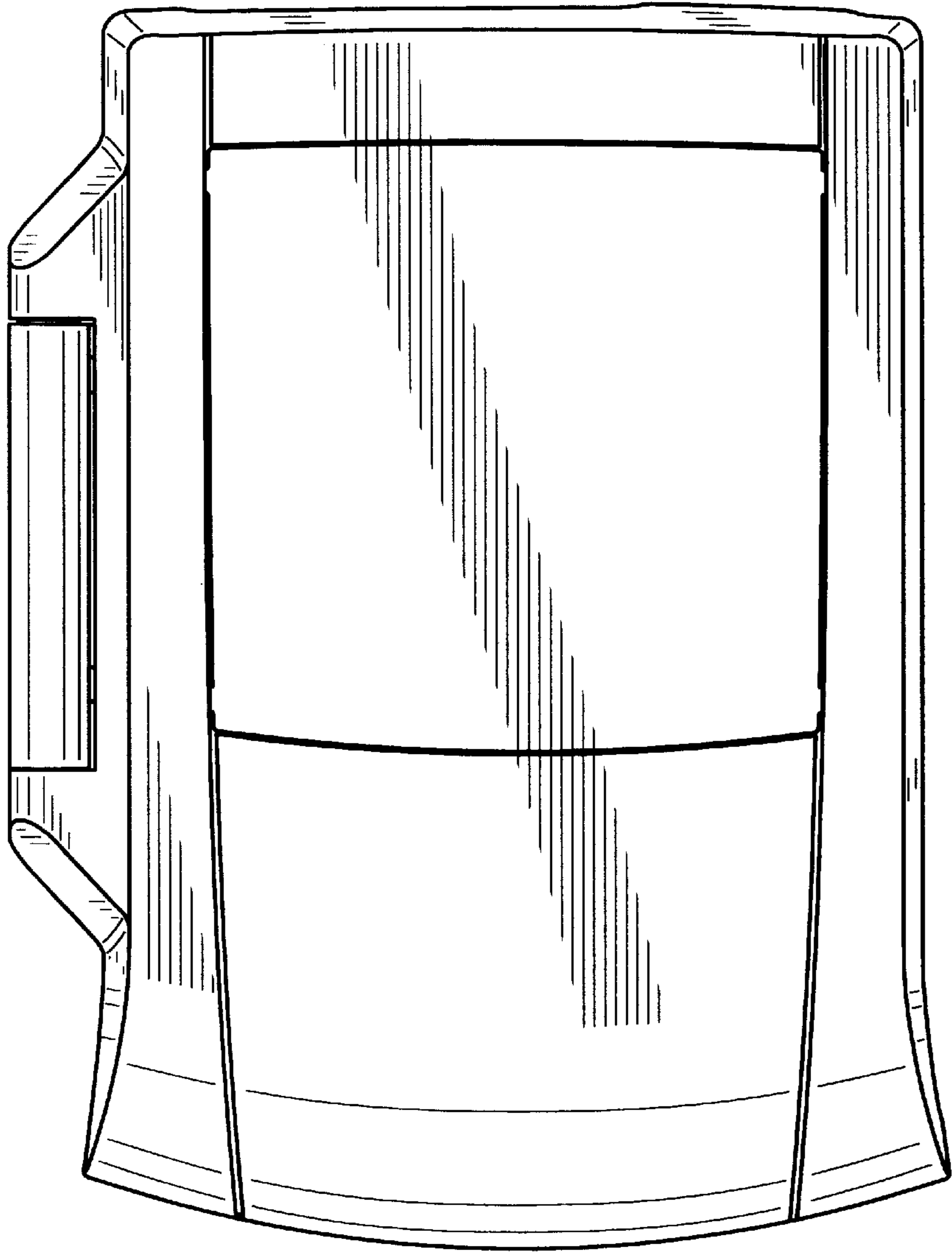


FIG._3

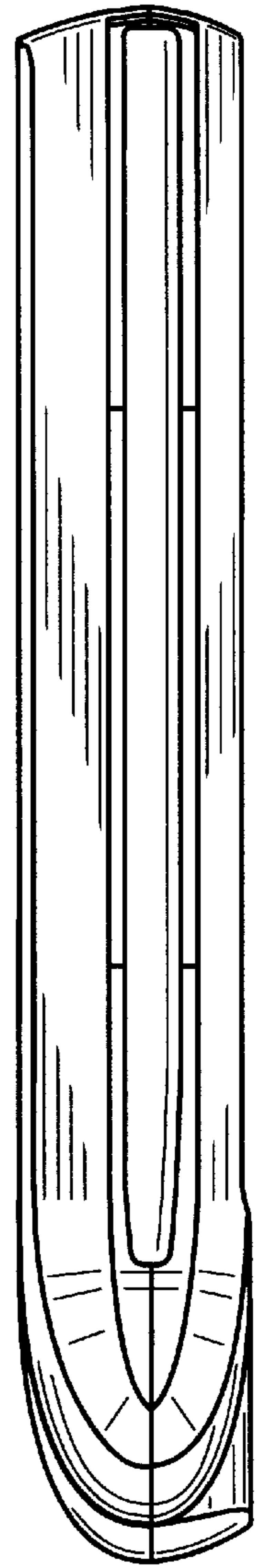


FIG._4

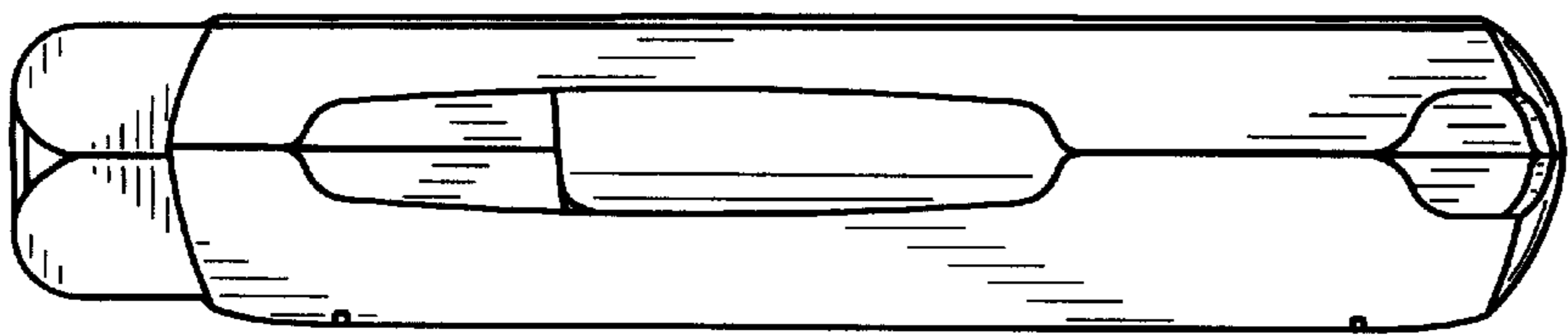


FIG._7

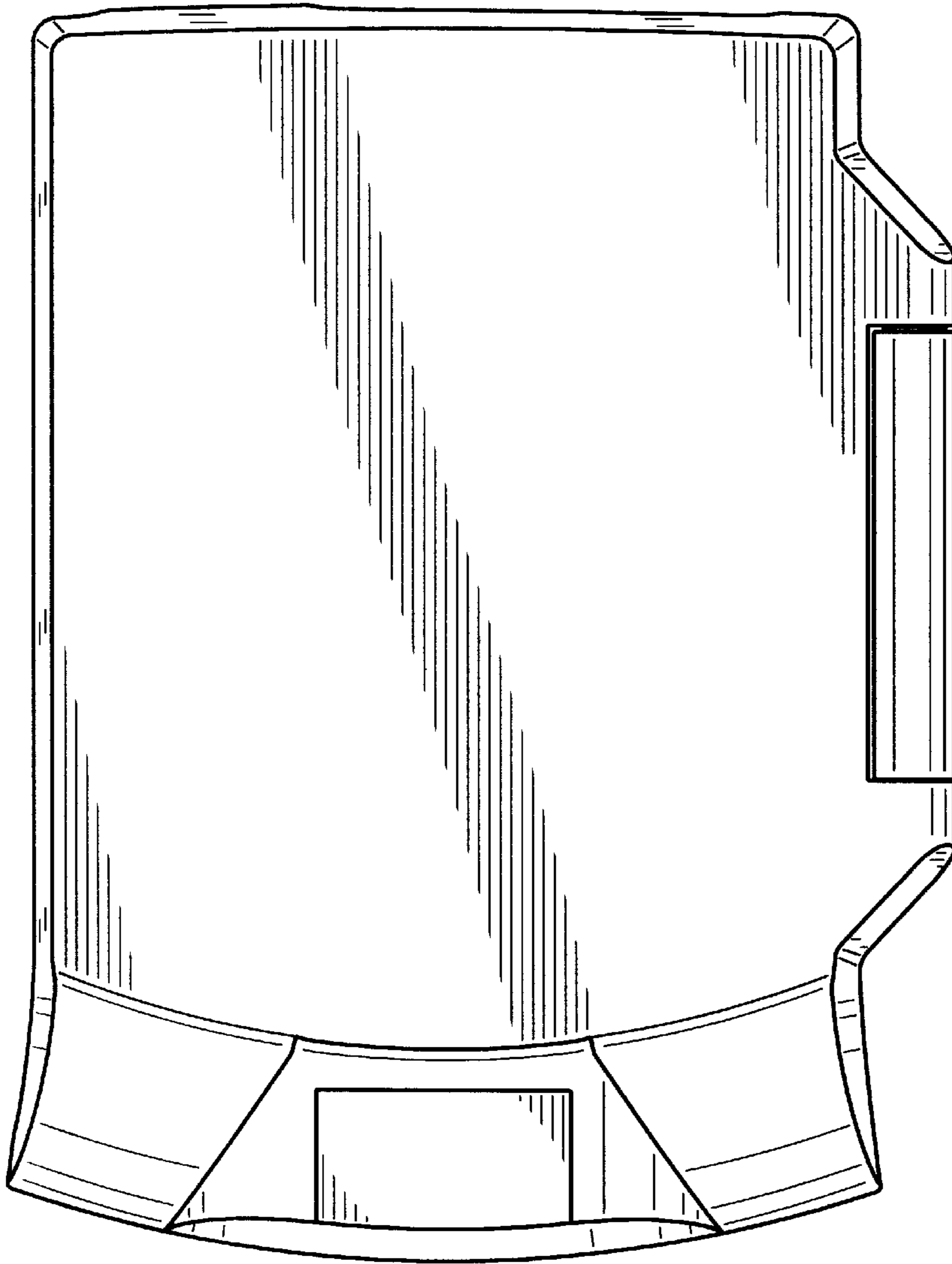


FIG._5

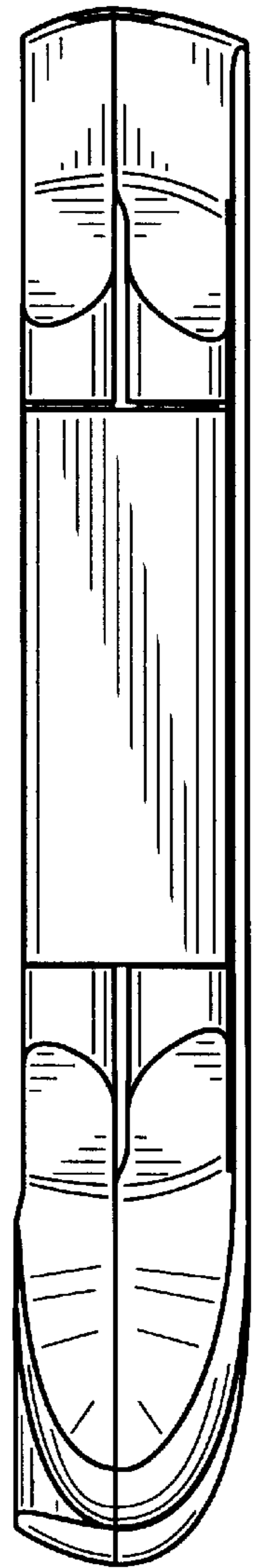


FIG._6

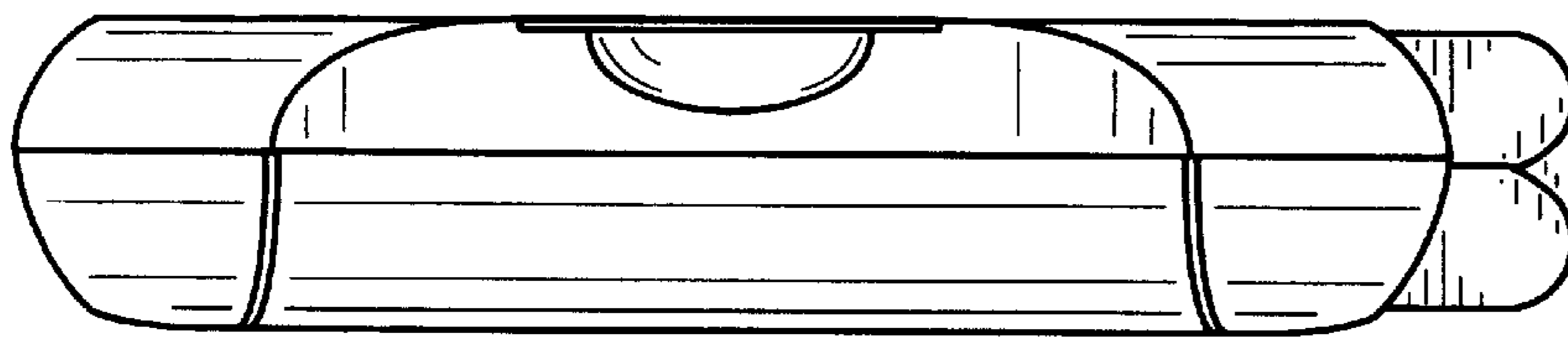


FIG._8

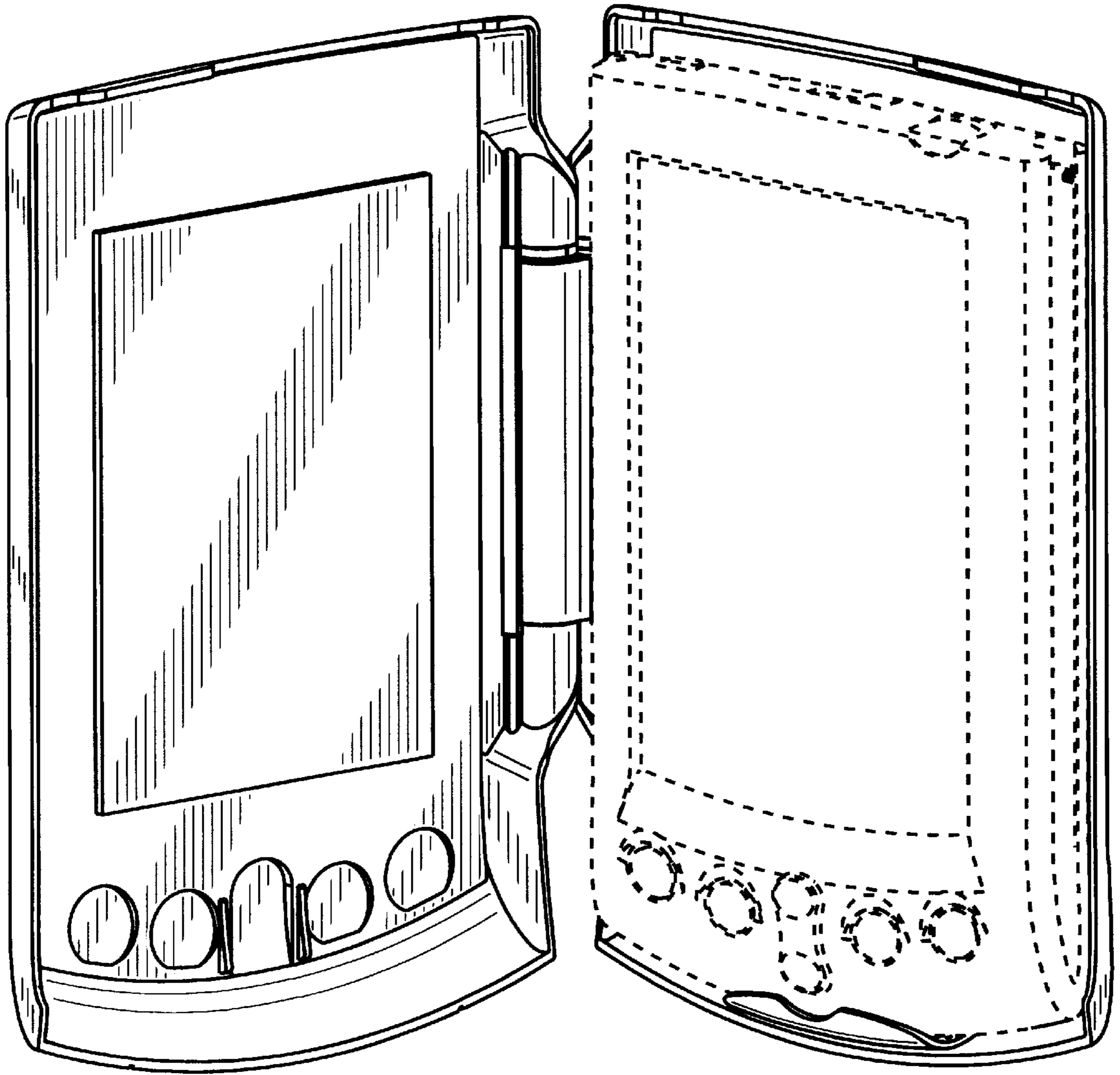


FIG. 9

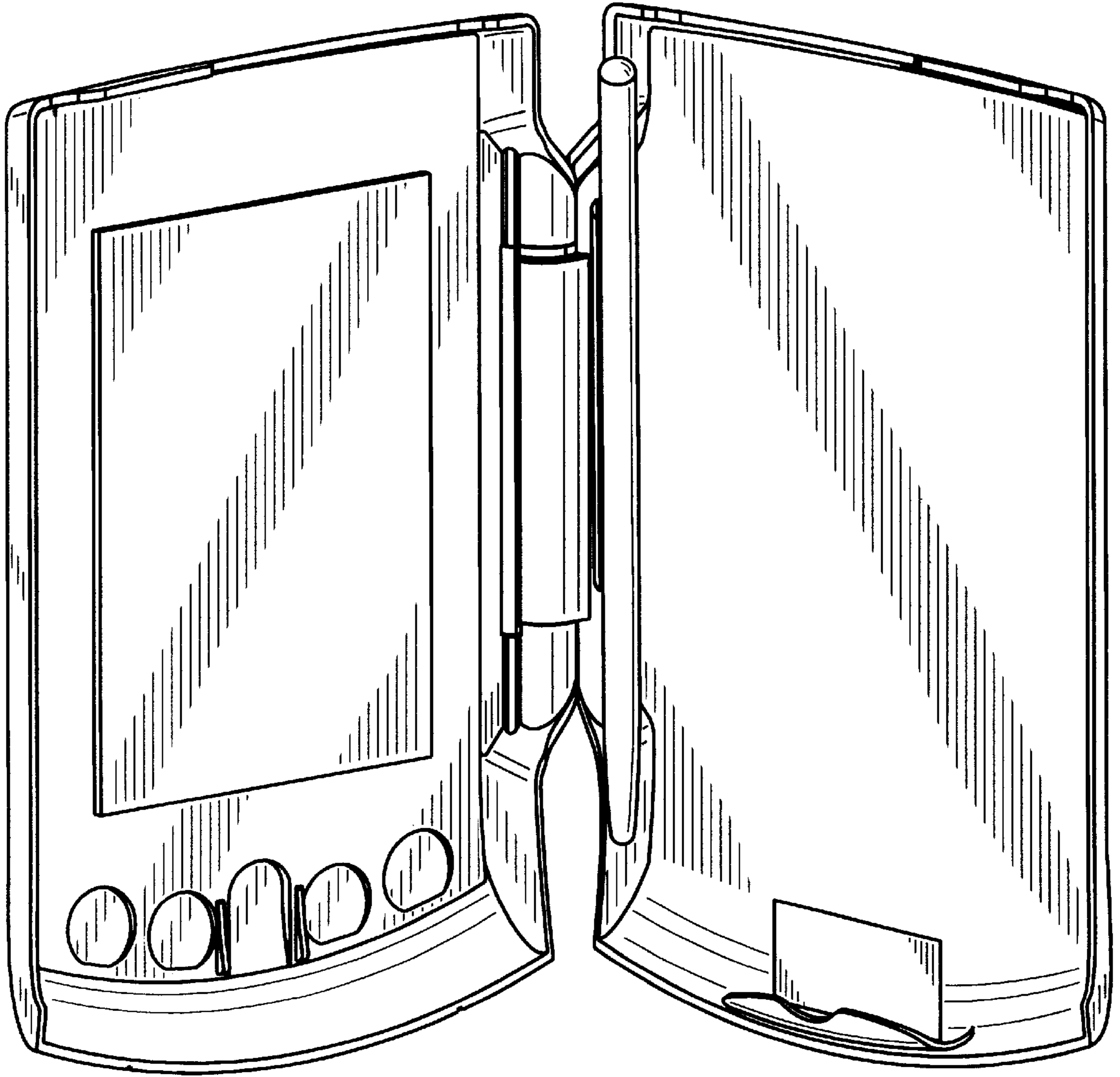


FIG. 10

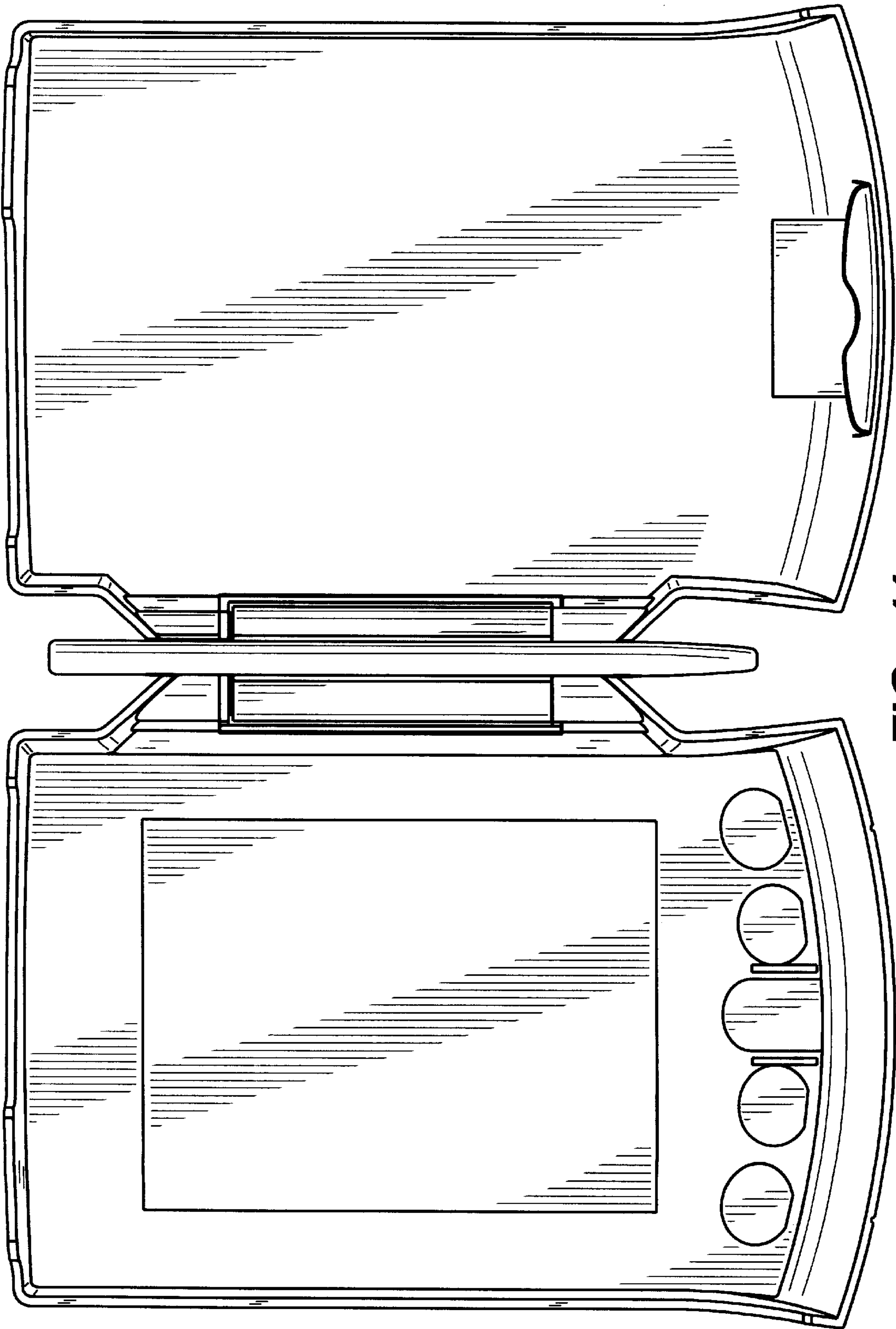


FIG. 11

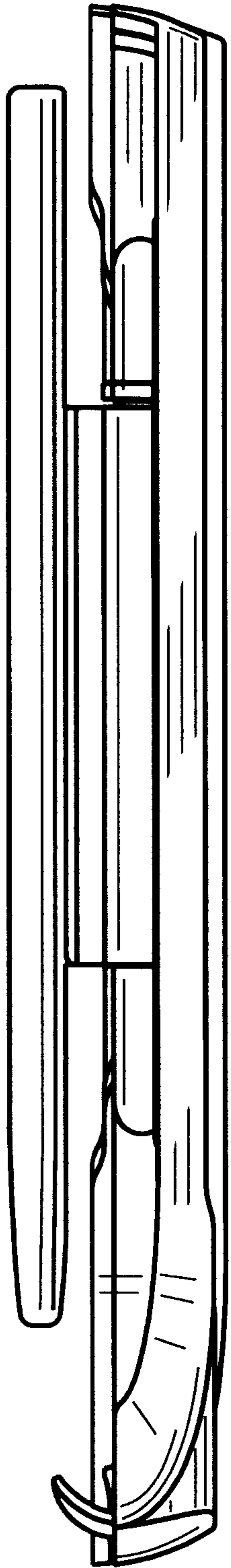


FIG. 12



FIG. 14

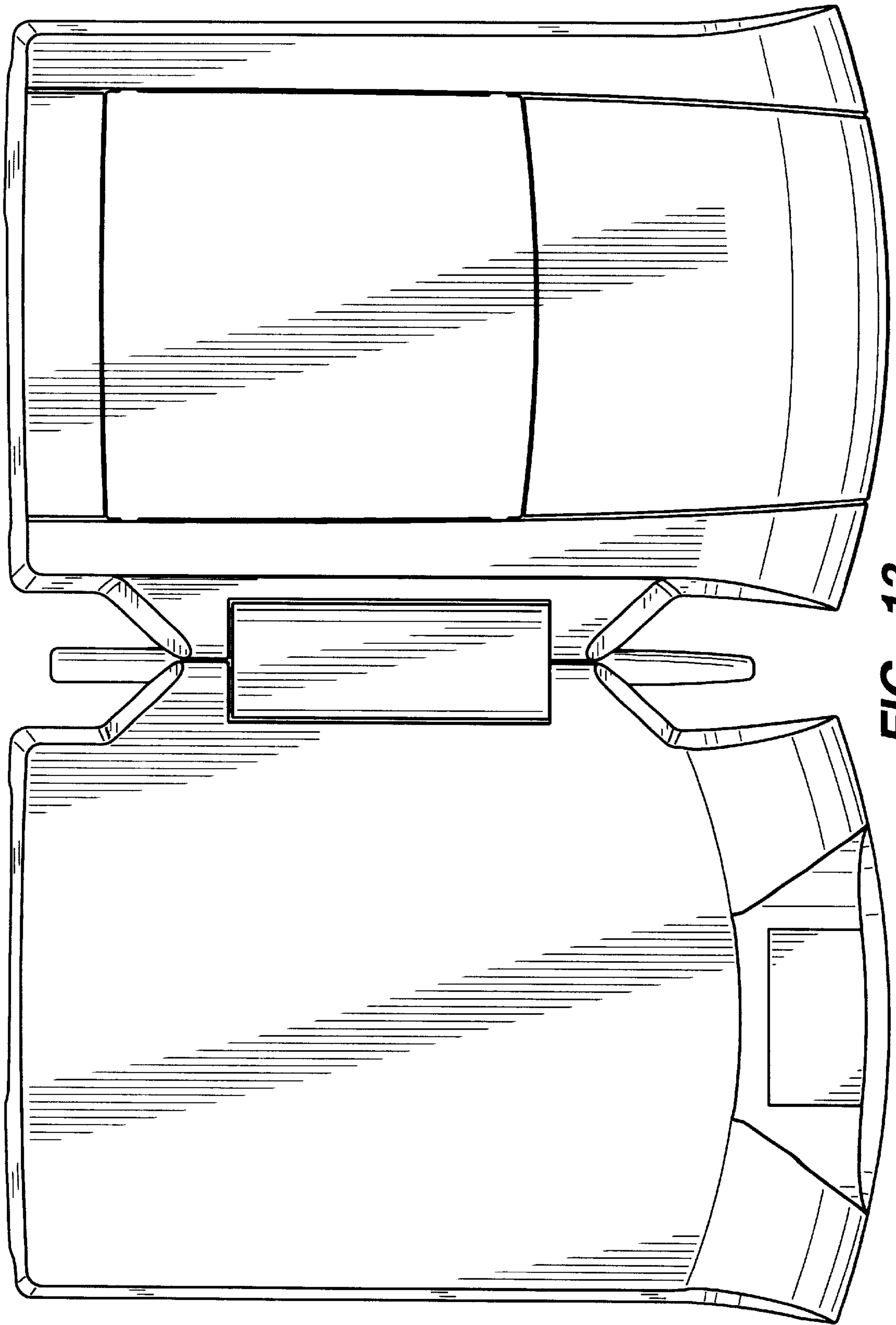


FIG.- 13

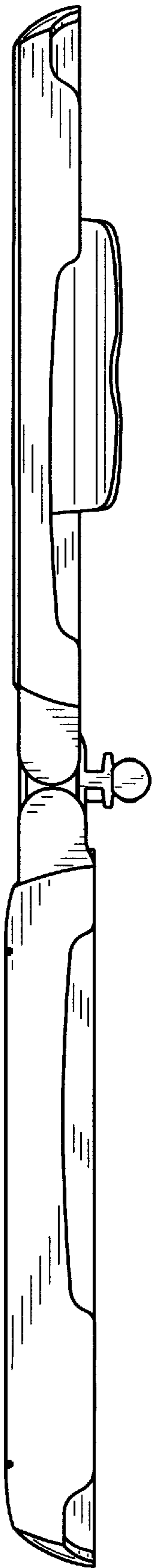


FIG. 15

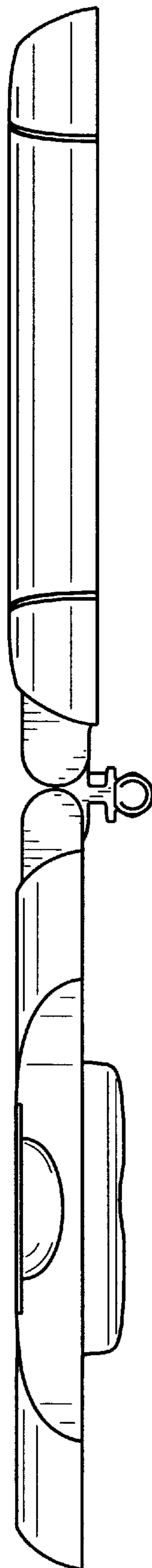


FIG. 16