



US00D447475B1

(12) **United States Design Patent**
Arbisi et al.

(10) **Patent No.:** **US D447,475 S**

(45) **Date of Patent:** **** Sep. 4, 2001**

(54) **KEY MATRIX AREA OF A HANDSET**

(75) Inventors: **Tom Arbisi**, Newbury Park; **Todd Wood**, Thousand Oaks, both of CA (US)

(73) Assignee: **Nokia Mobile Phones Ltd.**, Espoo (FI)

(**) Term: **14 Years**

(21) Appl. No.: **29/129,088**

(22) Filed: **Sep. 7, 2000**

(51) **LOC (7) Cl.** **14-03**

(52) **U.S. Cl.** **D14/247**

(58) **Field of Search** D14/137, 138, D14/218, 147-148, 247-248, 144, 249, 341-347; 379/433.434, 419, 420, 428, 440, 368, 364, 370; 455/550-575, 90

(56) **References Cited**

U.S. PATENT DOCUMENTS

- D. 390,555 * 2/1998 Finke-Anlauff D14/138
- D. 416,024 * 11/1999 Johansson et al. D14/247
- D. 416,255 * 11/1999 Johansson et al. D14/144
- D. 417,454 * 12/1999 Vuolteenaho D14/247

- D. 421,020 * 2/2000 Curtis D14/247
- D. 421,992 * 3/2000 Phillips et al. D14/247
- D. 423,515 * 4/2000 Phillips et al. D14/247
- D. 428,401 * 7/2000 Curtis D14/138
- D. 428,878 * 8/2000 Finkbeiner D14/247
- D. 429,240 * 8/2000 Curtis D14/247
- D. 432,529 * 10/2000 Kolinen D14/247
- D. 439,230 * 3/2001 Braxton et al. D14/138

* cited by examiner

Primary Examiner—Jeffrey Asch

(74) *Attorney, Agent, or Firm*—Jubin Dana; Brian T. Rivers

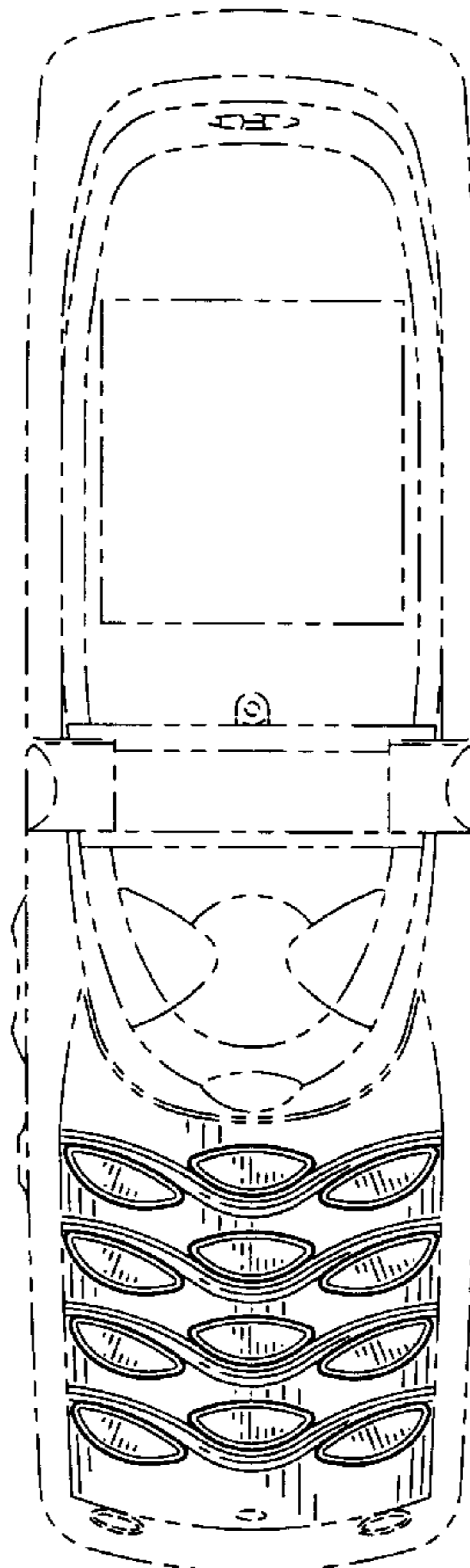
(57) **CLAIM**

The ornamental design for a key matrix area of a handset, as shown.

DESCRIPTION

FIG. 1 is a perspective front view of the handset; FIG. 2 is a front view of the handset in the open position showing the key matrix area; and, FIG. 3 is a perspective front view of the handset in the open position showing the key matrix area. The broken line showing of the handset is for illustrative purpose only and forms no part of the claimed design.

1 Claim, 1 Drawing Sheet



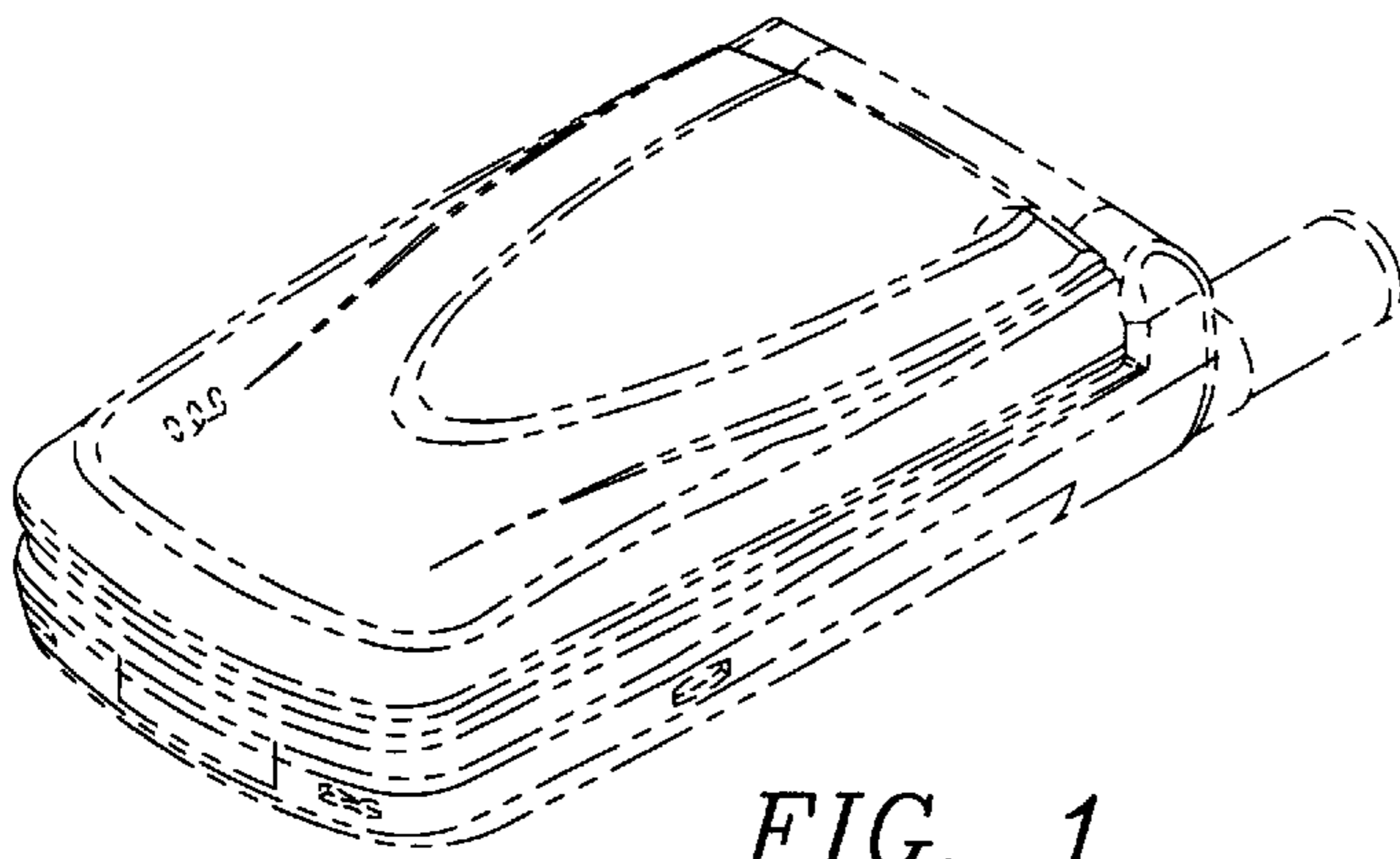


FIG. 1

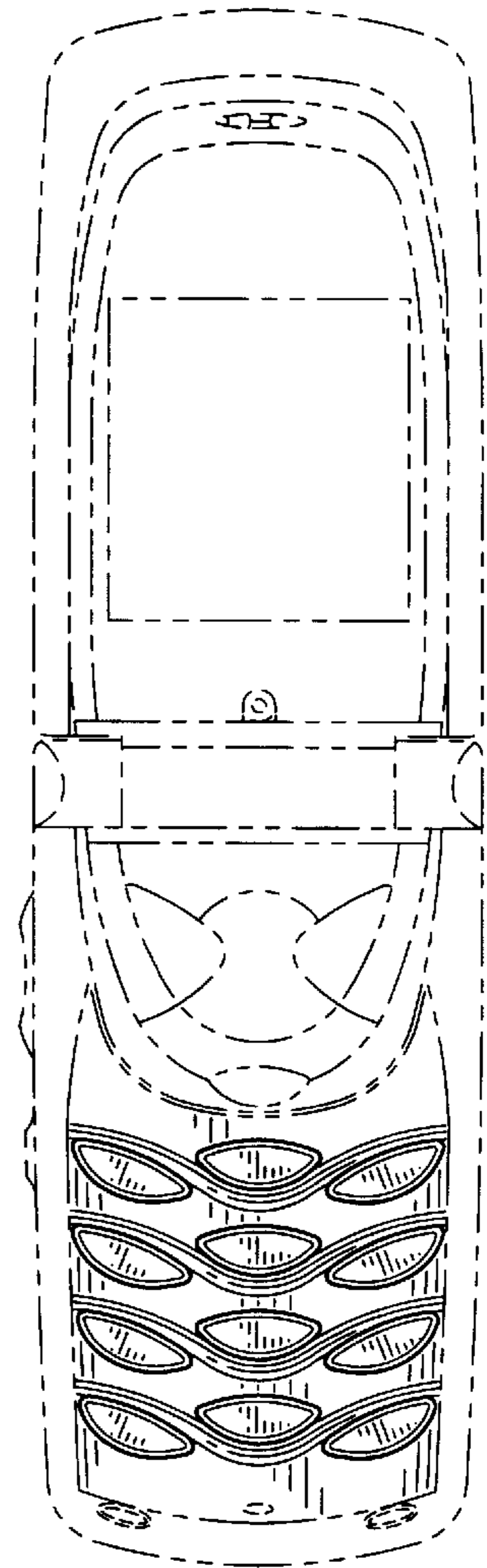


FIG. 2

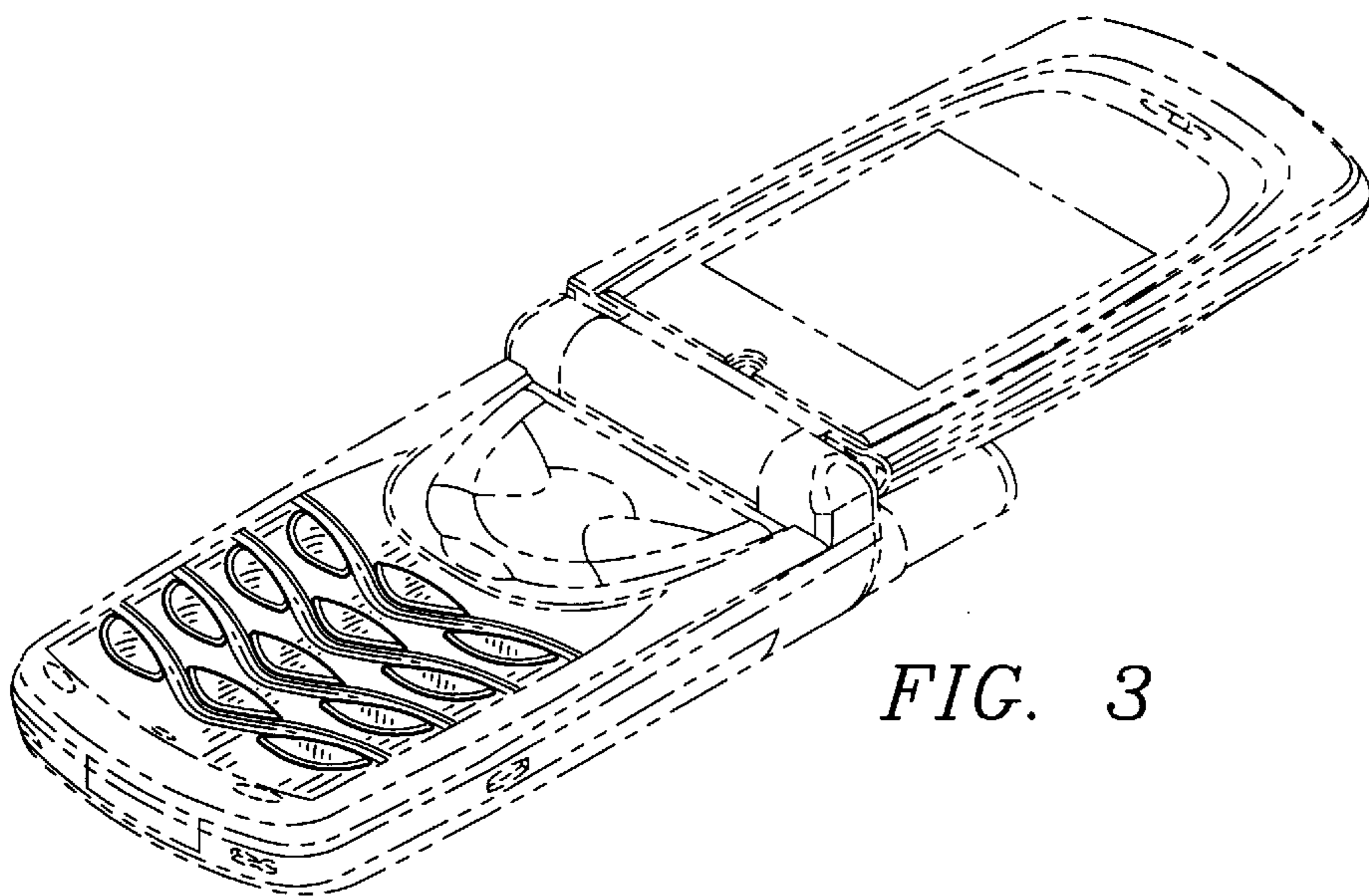


FIG. 3