



US00D447473B1

(12) **United States Design Patent** (10) **Patent No.:** **US D447,473 S**
Chuang (45) **Date of Patent:** **** Sep. 4, 2001**

(54) **HOUSING FOR A TV AMPLIFIER**

(76) Inventor: **Ting-Shun Chuang**, No.1, Alley
10, Lane 239, Wu-Sheng Road, Tainan
703 (TW)

(**) Term: **14 Years**

(21) Appl. No.: **29/126,261**

(22) Filed: **Jul. 11, 2000**

(51) **LOC (7) Cl.** **14-03**

(52) **U.S. Cl.** **D14/239; D13/151**

(58) **Field of Search** D13/146, 147,
D13/151; D14/188, 217, 230, 299, 239;
439/578; 333/100; 174/52.1, 59, 65 R

(56) **References Cited**

U.S. PATENT DOCUMENTS

D. 261,503	*	10/1981	Shu	D13/151
D. 274,717	*	7/1984	Shu	D13/151
D. 390,534	*	2/1998	Prucey	D13/146
D. 408,363	*	4/1999	Hsiang	D13/151
3,641,464	*	2/1972	Crowhurst et al.	333/112
4,141,615	*	2/1979	Takeuchi et al.	D13/151 X
5,545,847	*	8/1996	Lynes et al.	174/52.1
6,064,448	*	5/2000	Feng	348/707

* cited by examiner

Primary Examiner—Joel Sincavage

(74) *Attorney, Agent, or Firm*—Pro-Techtor International Services

(57) **CLAIM**

The ornamental design for a housing for a TV amplifier, as shown.

DESCRIPTION

FIG. 1 is a perspective view of a housing for a TV amplifier in the present design.

FIG. 2 is a left side view of the housing for a TV amplifier in the present design.

FIG. 3 is an upper view of the housing for a TV amplifier in the present design.

FIG. 4 is a front view of the housing for a TV amplifier in the present design.

FIG. 5 is a bottom view of the housing for a TV amplifier in the present design.

FIG. 6 is a right side view of the housing for a TV amplifier in the present design; and,

FIG. 7 is a rear view of the housing for a TV amplifier in the present design.

1 Claim, 2 Drawing Sheets

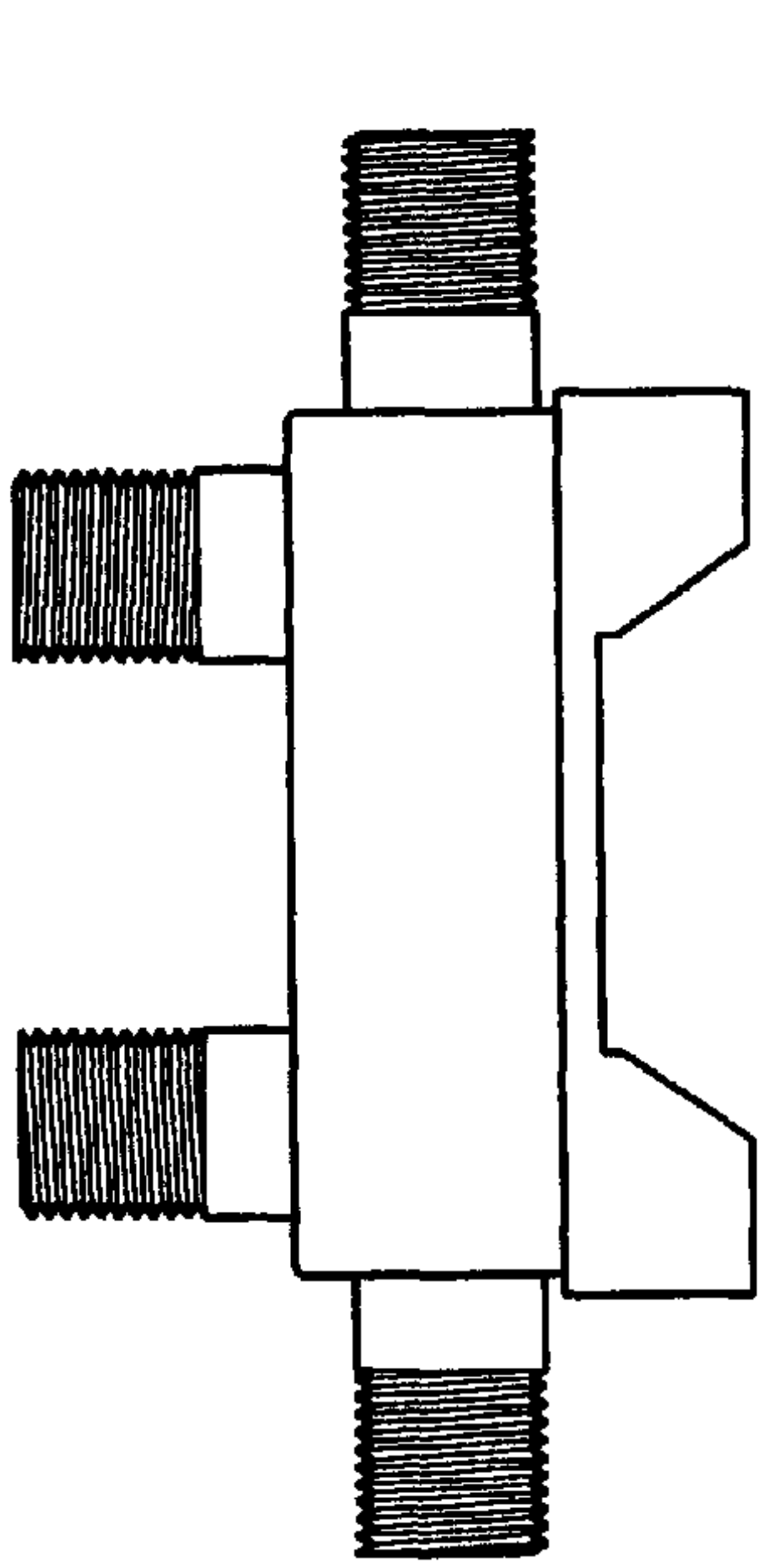


FIG. 2

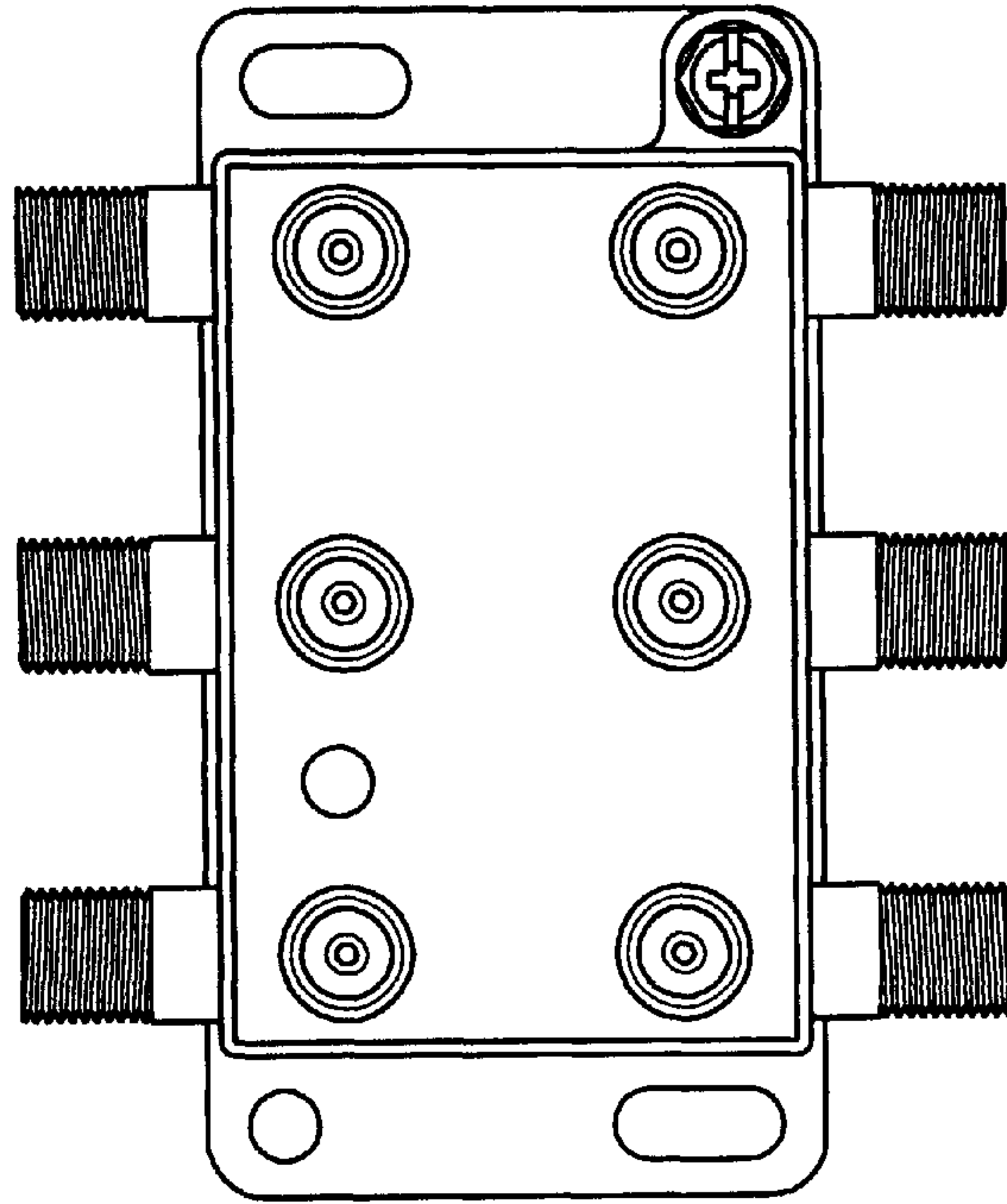


FIG. 3

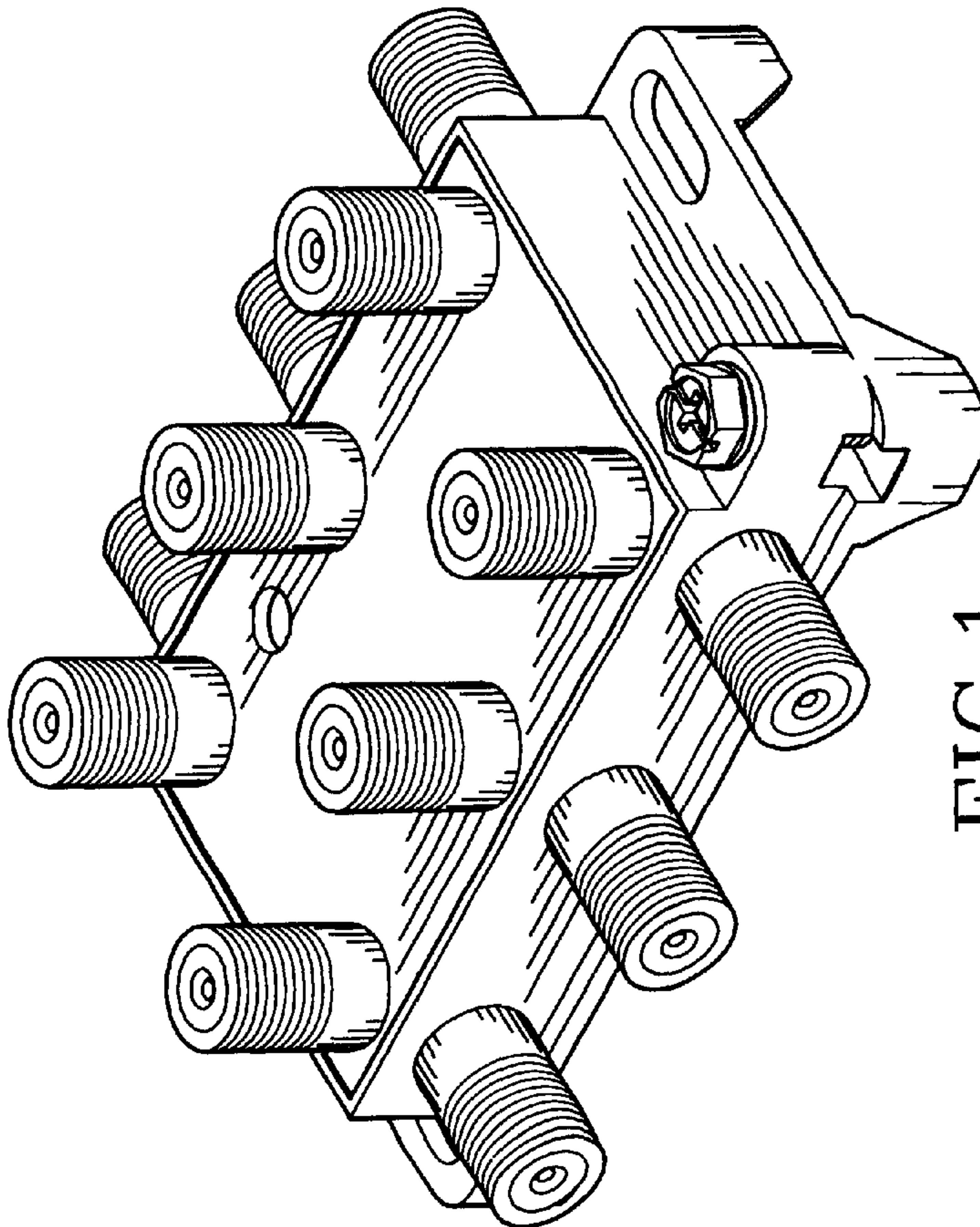


FIG. 1

