



US00D447470B1

(12) **United States Design Patent**
Obata

(10) **Patent No.:** **US D447,470 S**

(45) **Date of Patent:** **** Sep. 4, 2001**

(54) **IC RECORDER**

D. 424,567 5/2000 Hakoda D14/218

(75) Inventor: **Shinichi Obata**, Tokyo (JP)

(73) Assignee: **Sony Corporation**, Tokyo (JP)

(**) Term: **14 Years**

(21) Appl. No.: **29/124,266**

(22) Filed: **Jun. 5, 2000**

(51) **LOC (7) Cl.** **14-01**

(52) **U.S. Cl.** **D14/167; D14/217**

(58) **Field of Search** D14/124, 160-165,
D14/167-168, 188, 192-198, 217-218,
260, 299; 455/344, 347-350

(56) **References Cited**

U.S. PATENT DOCUMENTS

D. 304,191	*	10/1989	Sekine	D14/192
D. 326,655	*	6/1992	Iribe	D14/192
D. 344,522	*	2/1994	Taniguchi	D14/205 X
D. 396,860	*	8/1998	Yasutomi	D14/168
D. 411,998		7/1999	Hakoda et al.	D14/218
D. 417,869	*	12/1999	Yasutomi	D14/192 X

OTHER PUBLICATIONS

“93”, p. 56 (MZ-R55, MZ-E55, MZ-R5ST & MZ-E80),
Sony, Jul. 1999.

* cited by examiner

Primary Examiner—Nanda Bondade

(74) *Attorney, Agent, or Firm*—Rader, Fishman & Grauer

(57) **CLAIM**

The ornamental design for an IC recorder, as shown and
described.

DESCRIPTION

FIG. 1 is a perspective view of an IC recorder showing my
design;

FIG. 2 is a top plan view thereof;

FIG. 3 is a bottom plan view thereof;

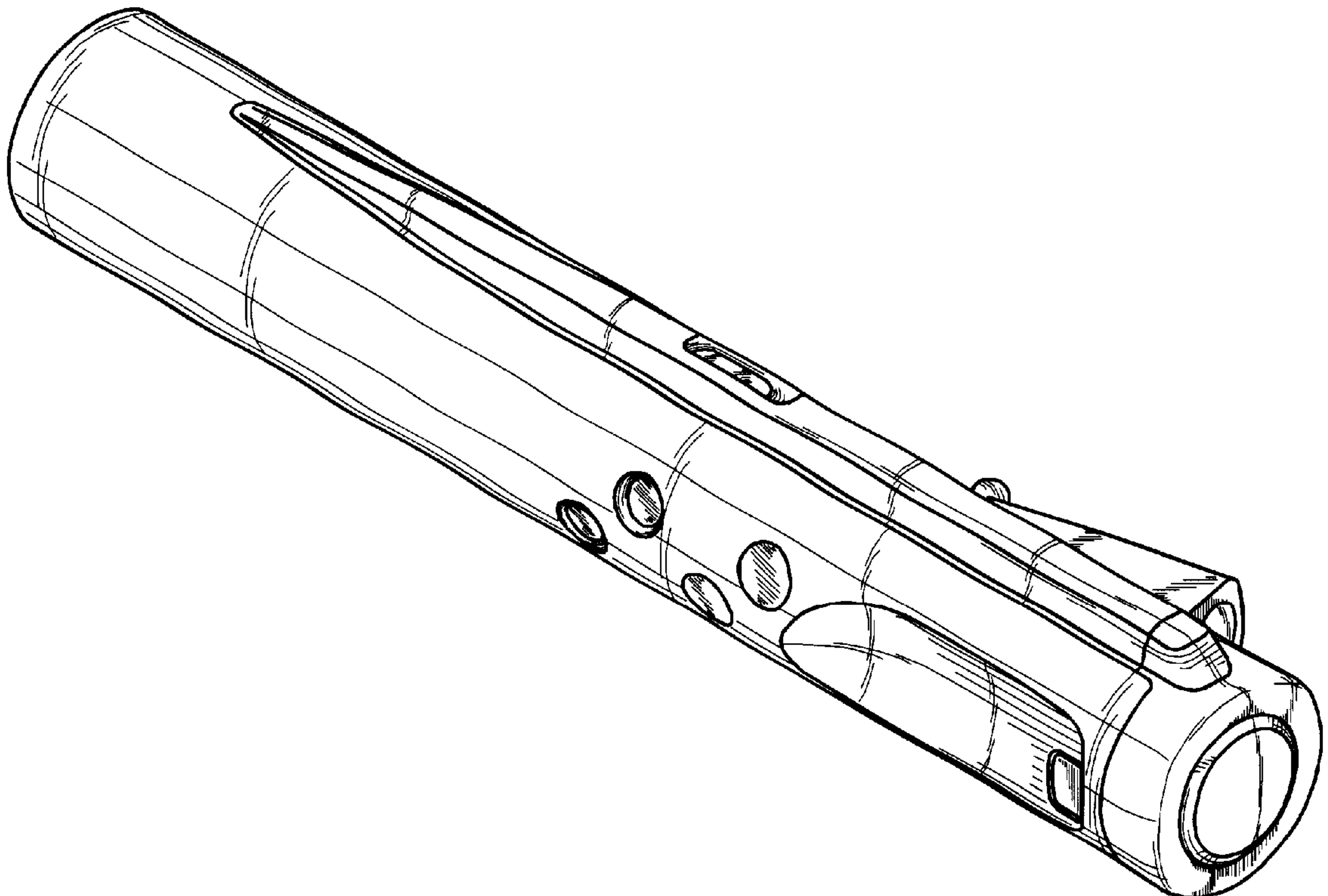
FIG. 4 is a left side elevational view thereof;

FIG. 5 is a right side elevational view thereof;

FIG. 6 is a front elevational view thereof; and,

FIG. 7 is a rear elevational view thereof.

1 Claim, 4 Drawing Sheets



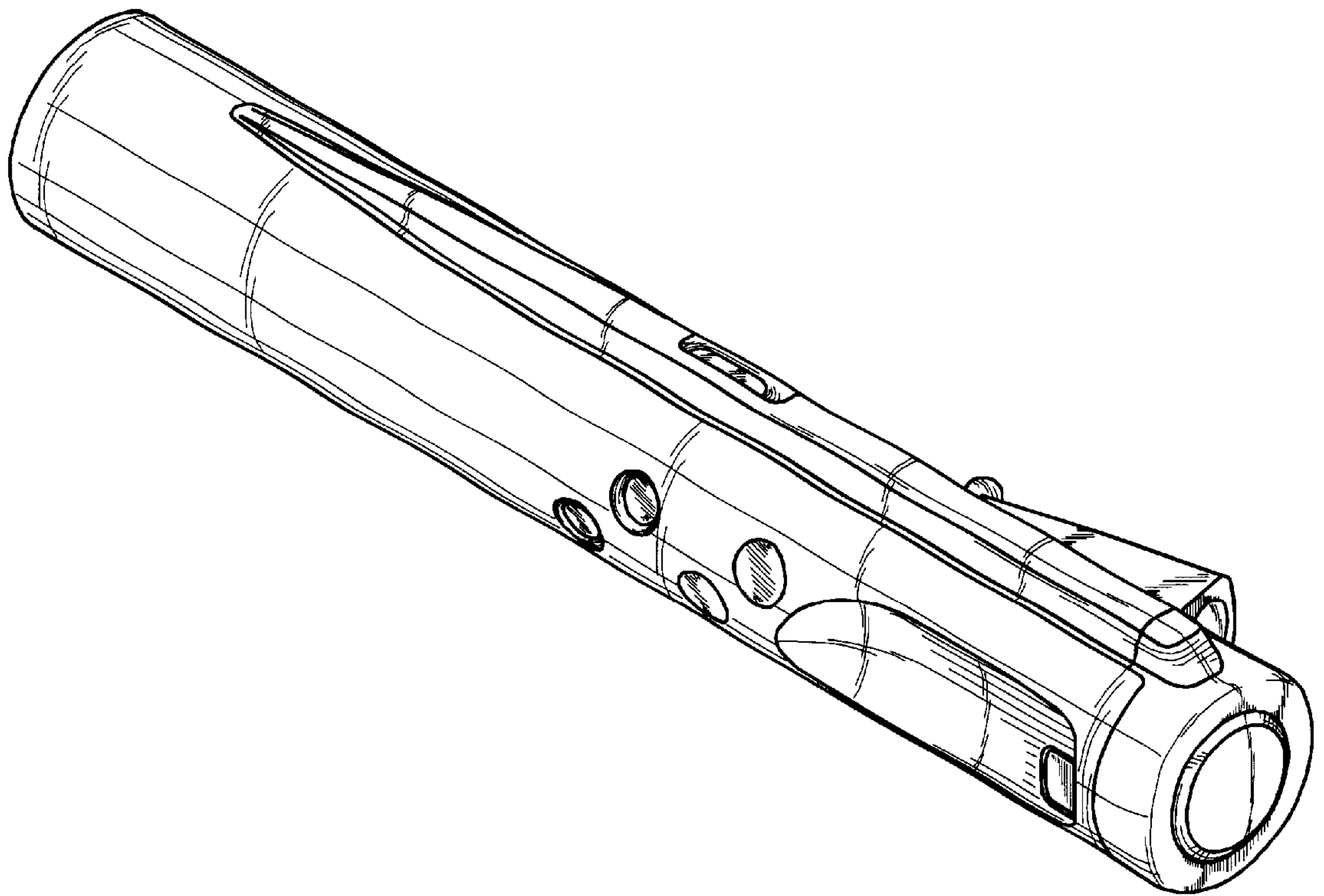


Fig. 1

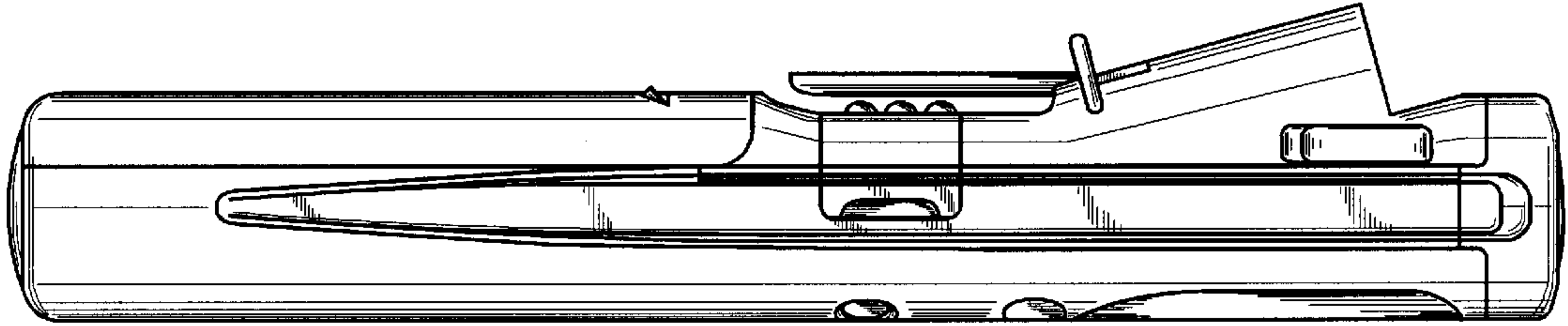


Fig. 2

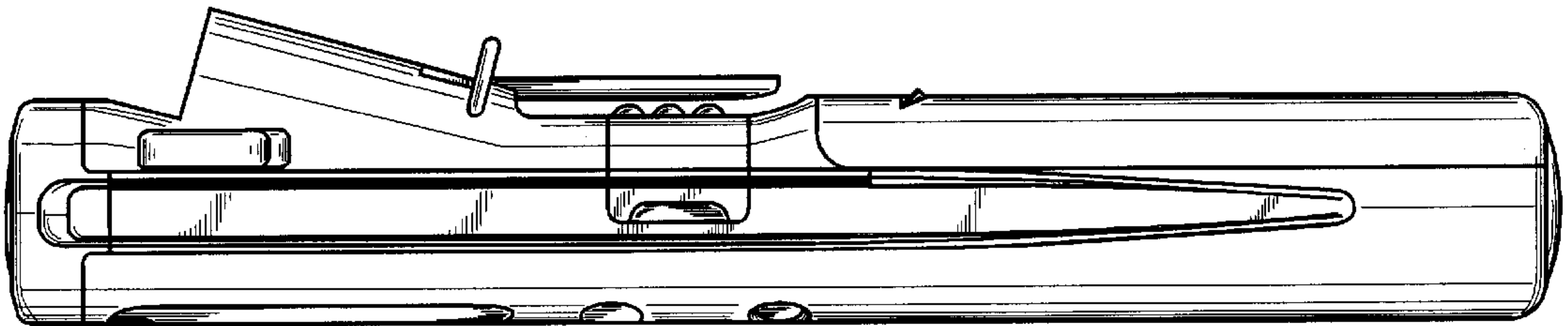


Fig. 3

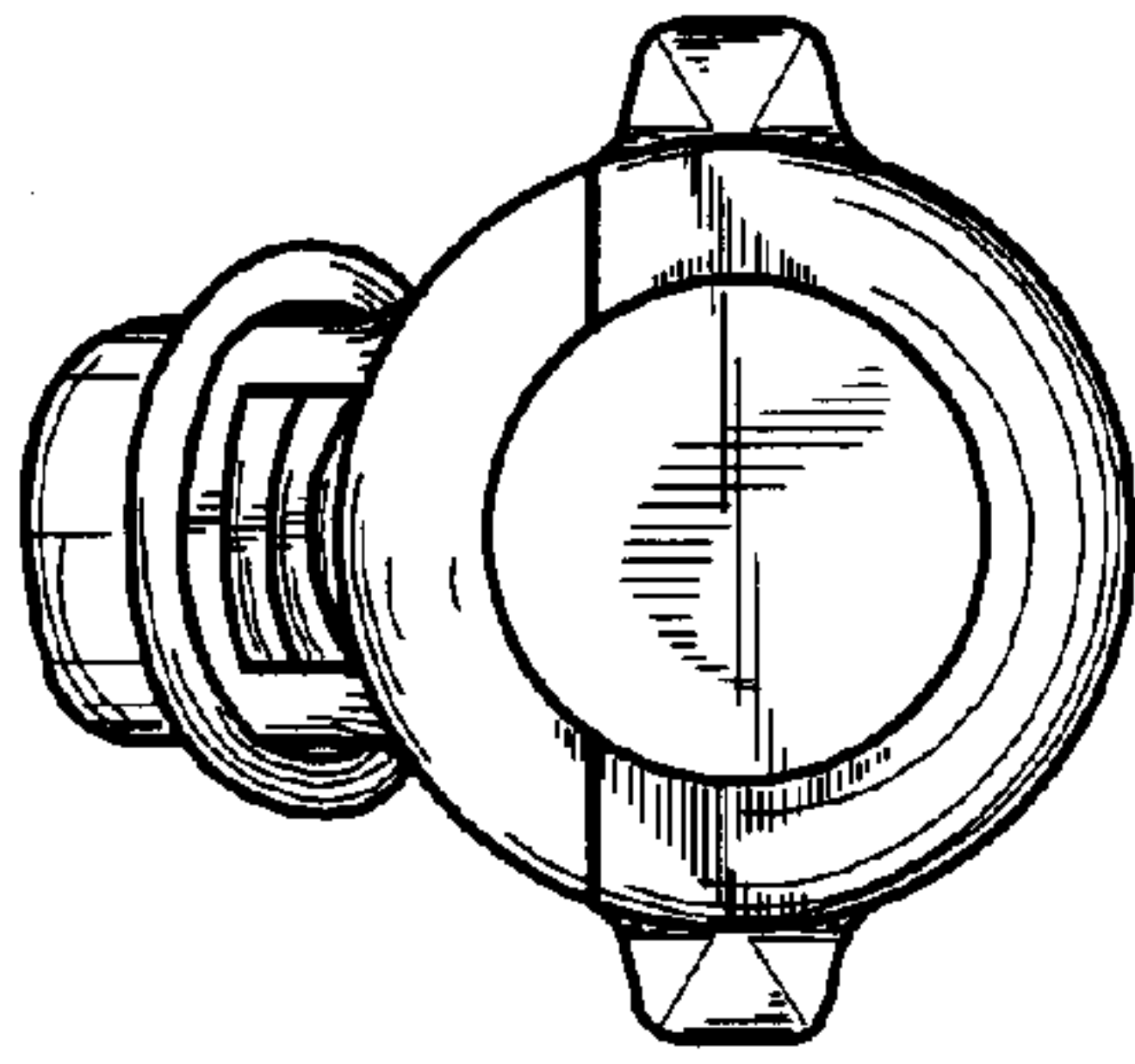


Fig. 4

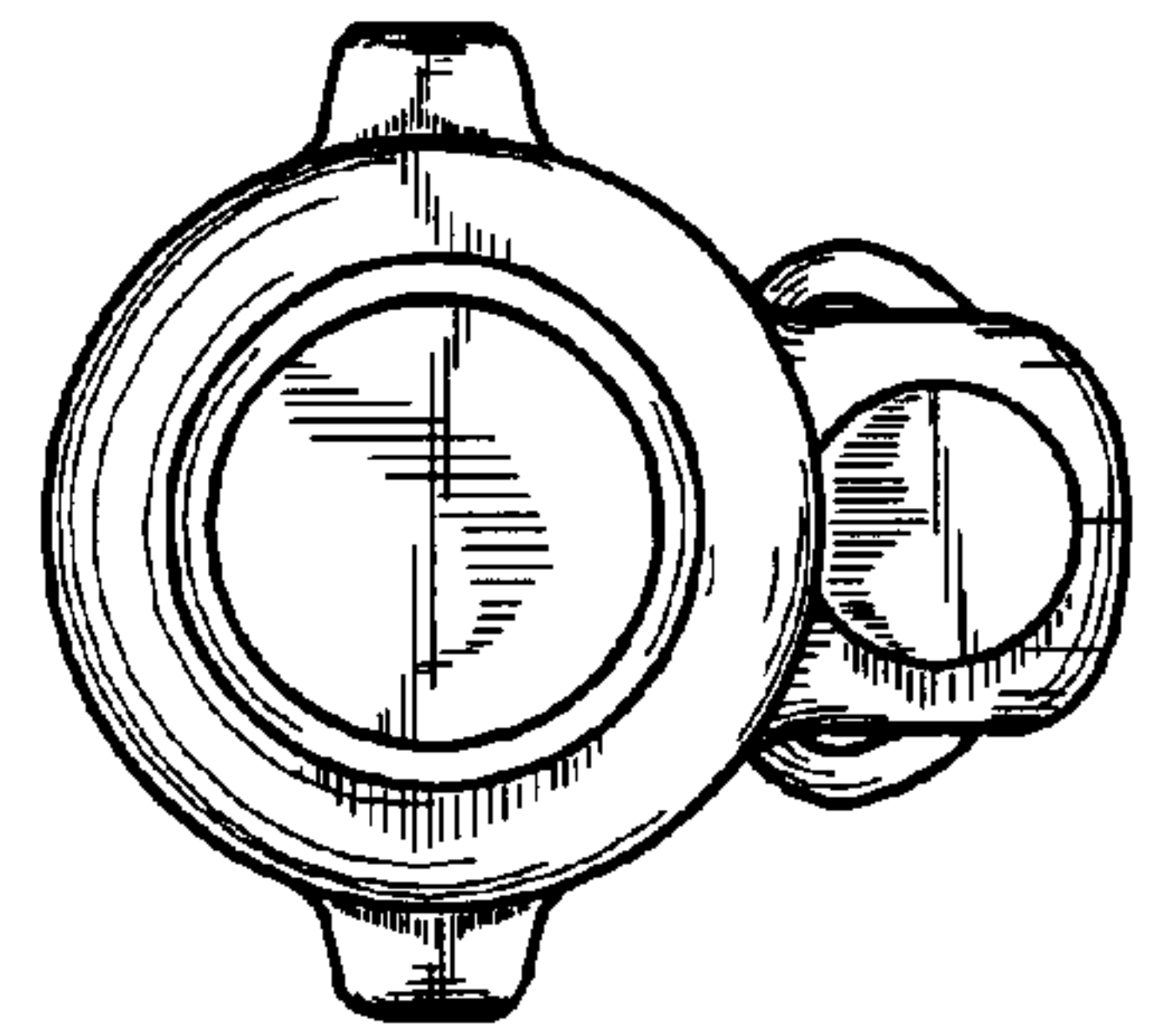


Fig. 5

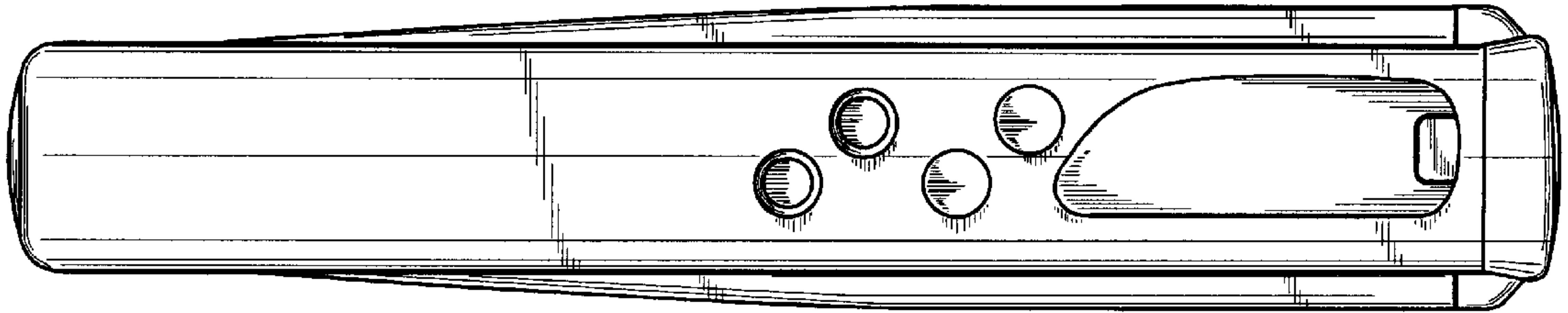


Fig. 6

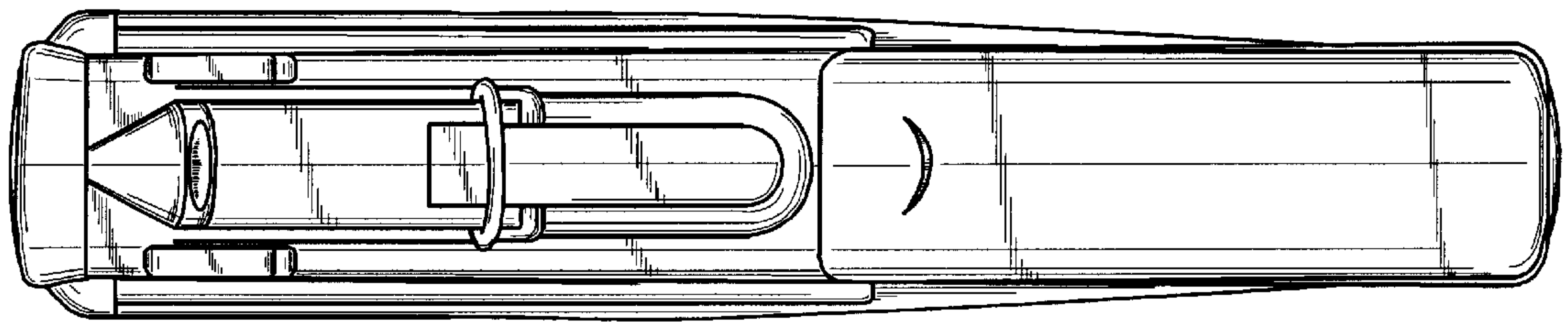


Fig. 7