



US00D447466B1

(12) **United States Design Patent**  
**Chen et al.**

(10) **Patent No.:** **US D447,466 S**

(45) **Date of Patent:** **\*\* Sep. 4, 2001**

(54) **ELECTRICAL CONNECTOR**

(75) Inventors: **Qiang Chen; GuangXing Shi**, both of  
Kunsan (CN)

(73) Assignee: **Hon Hai Precision Ind. Co., Ltd.**,  
Taipei Hsien (TW)

(\*\*) Term: **14 Years**

(21) Appl. No.: **29/134,780**

(22) Filed: **Dec. 28, 2000**

(51) **LOC (7) Cl.** ..... **13-03**

(52) **U.S. Cl.** ..... **D13/147**

(58) **Field of Search** ..... D13/146, 147;  
439/79, 607-610, 108

(56) **References Cited**

**U.S. PATENT DOCUMENTS**

- D. 345,343 \* 3/1994 Nakamura ..... D13/147
- D. 410,227 \* 5/1999 Wu et al. .... D13/147
- D. 410,434 \* 6/1999 Wu ..... D13/147
- D. 433,667 \* 11/2000 Li et al. .... D13/147

- 5,266,038 \* 11/1993 Nakamura ..... 439/79
- 5,700,164 \* 12/1997 Weidler et al. .... 439/607
- 5,725,386 \* 3/1998 Davis et al. .... 439/79
- 5,975,954 \* 11/1999 Wu et al. .... 439/607
- 6,135,790 \* 10/2000 Huang et al. .... 439/79
- 6,186,830 \* 2/2001 Lin et al. .... 439/607

\* cited by examiner

*Primary Examiner*—Joel Sincavage

(74) *Attorney, Agent, or Firm*—Wei Te Chung

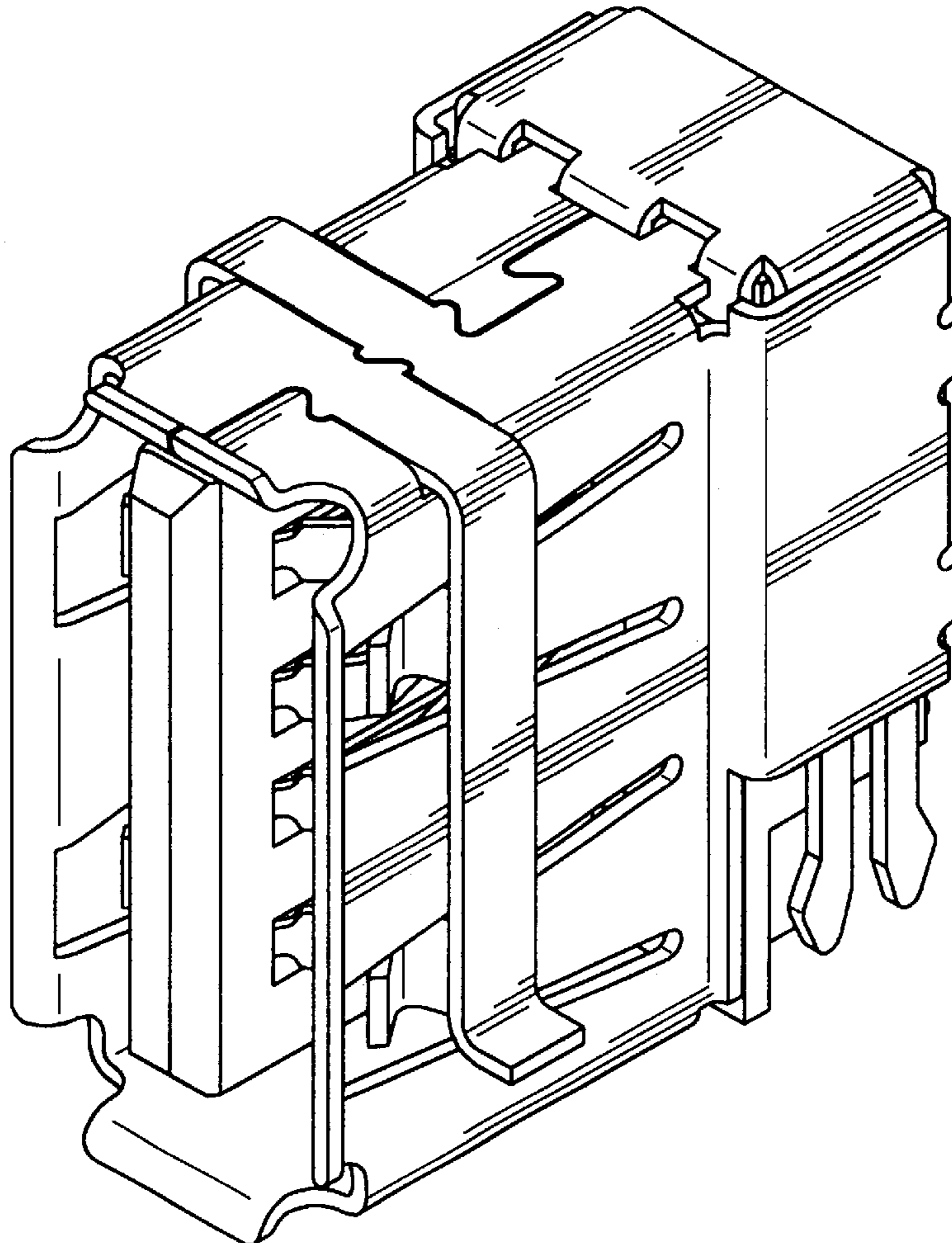
(57) **CLAIM**

The ornamental design for an electrical connector, as shown.

**DESCRIPTION**

FIG. 1 is a front, top and right side perspective view of an electrical connector showing our new design; FIG. 2 is a front elevational view thereof; FIG. 3 is a rear elevational view thereof; FIG. 4 is a left side elevational view thereof; FIG. 5 is a right side elevational view thereof; FIG. 6 is a top plan view thereof; and, FIG. 7 is a bottom plan view thereof.

**1 Claim, 7 Drawing Sheets**



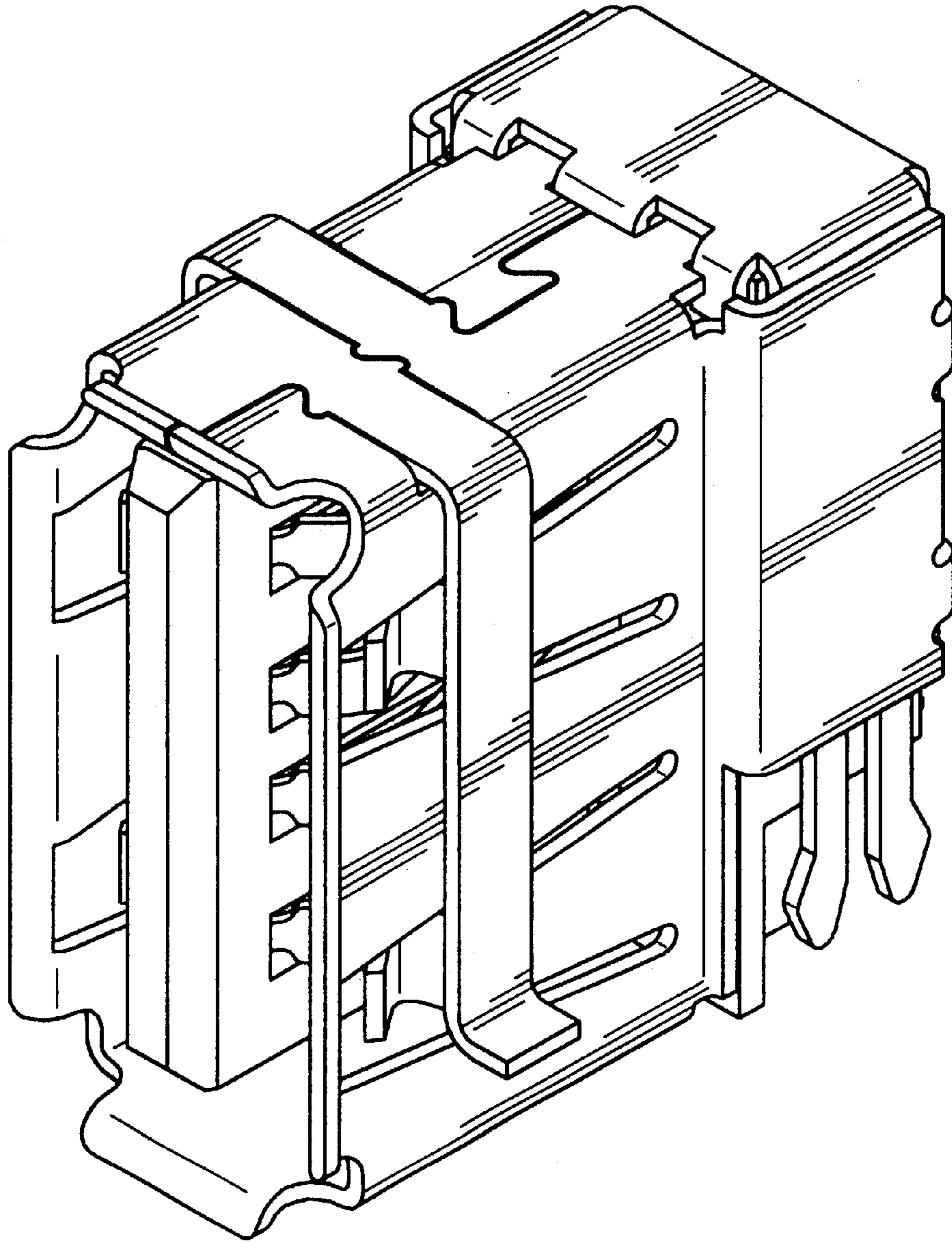


FIG. 1

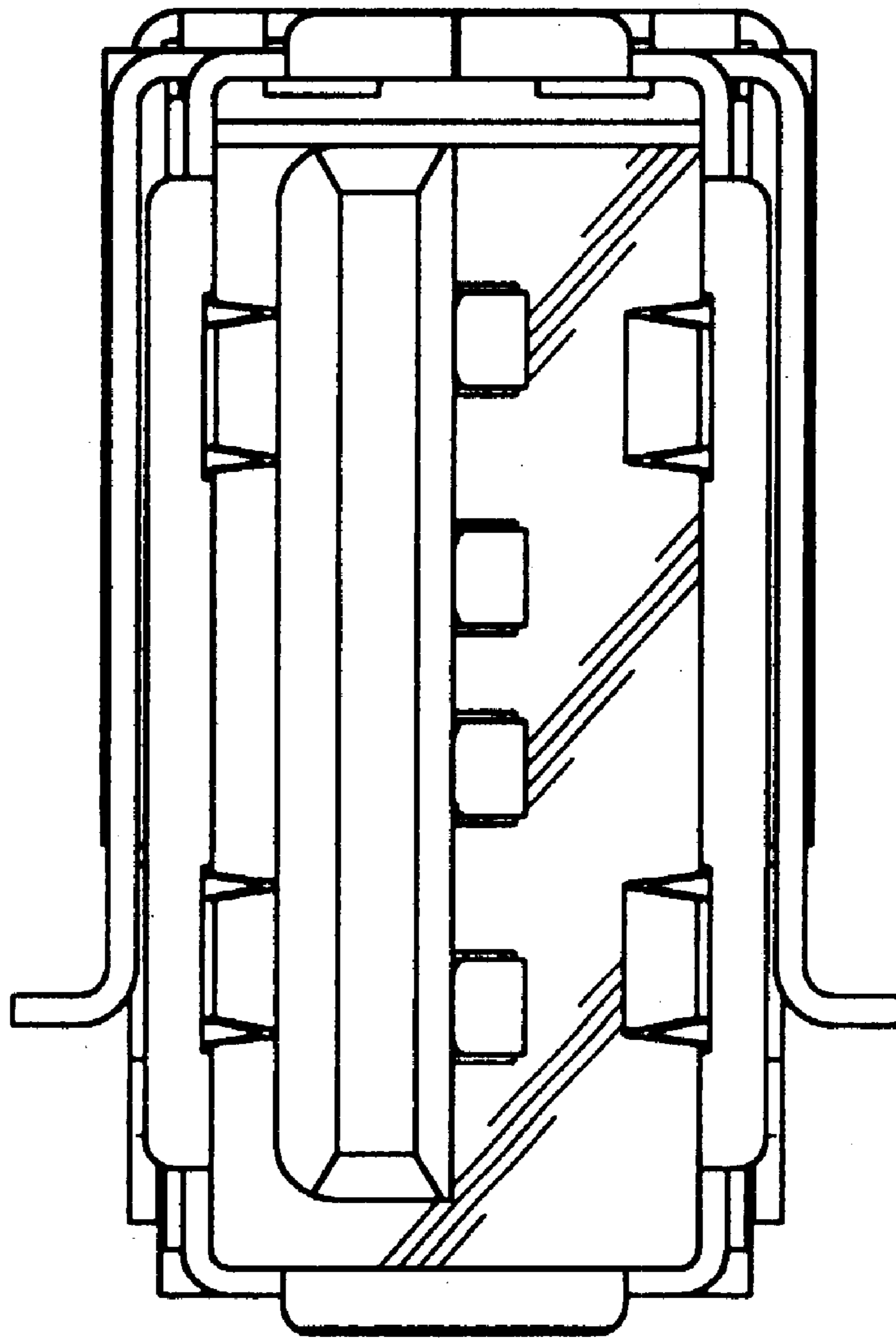


FIG. 2

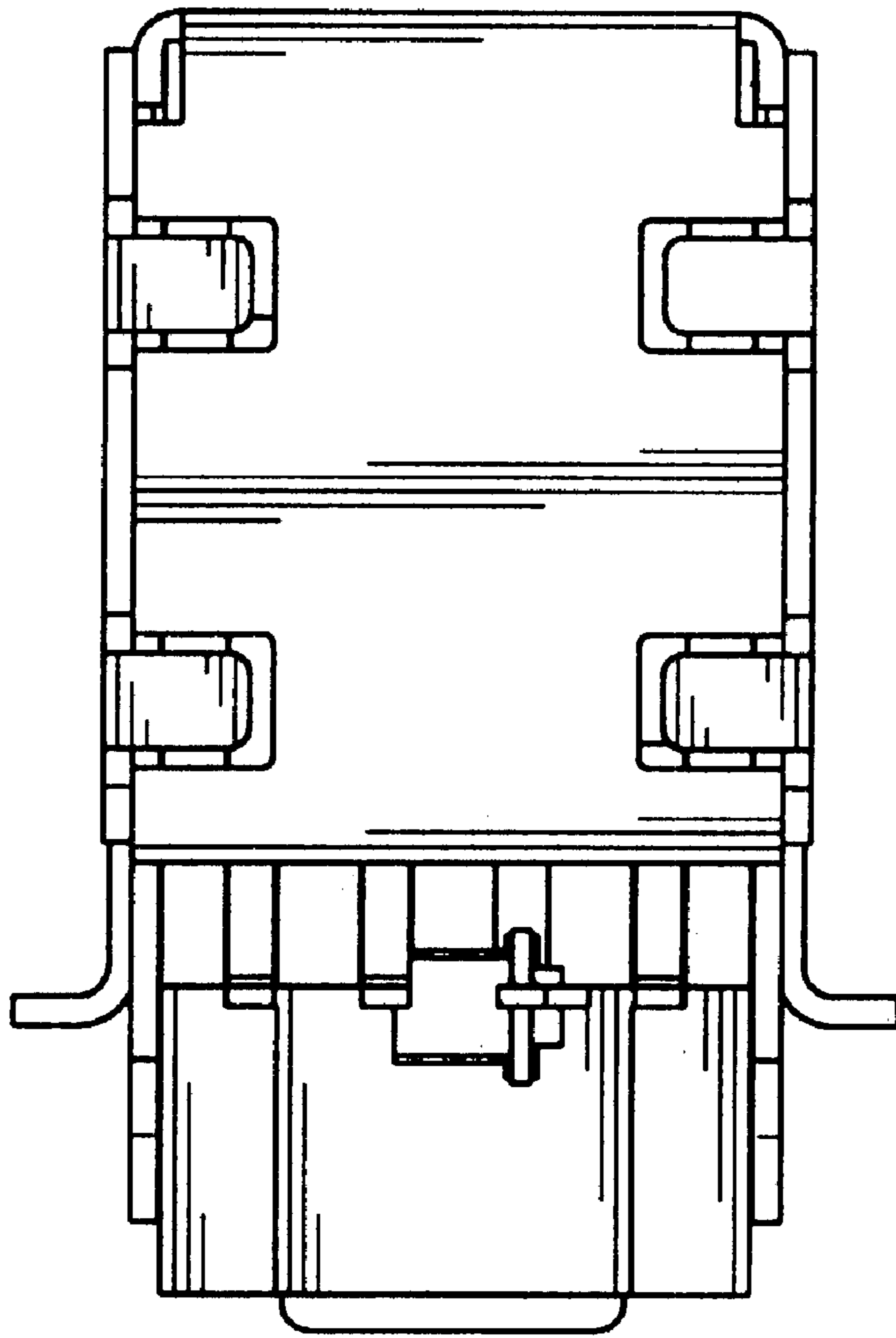


FIG. 3

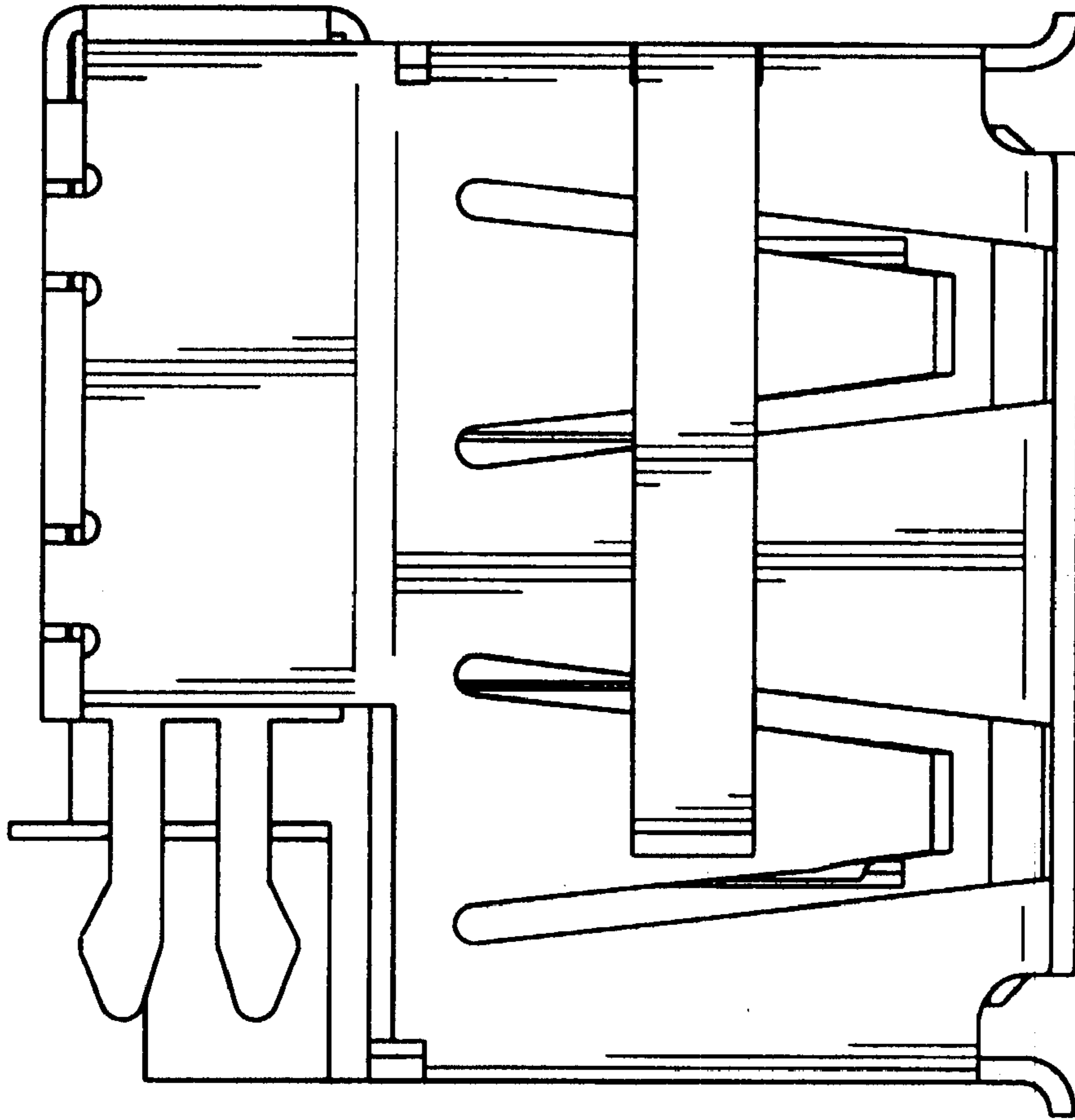


FIG. 4

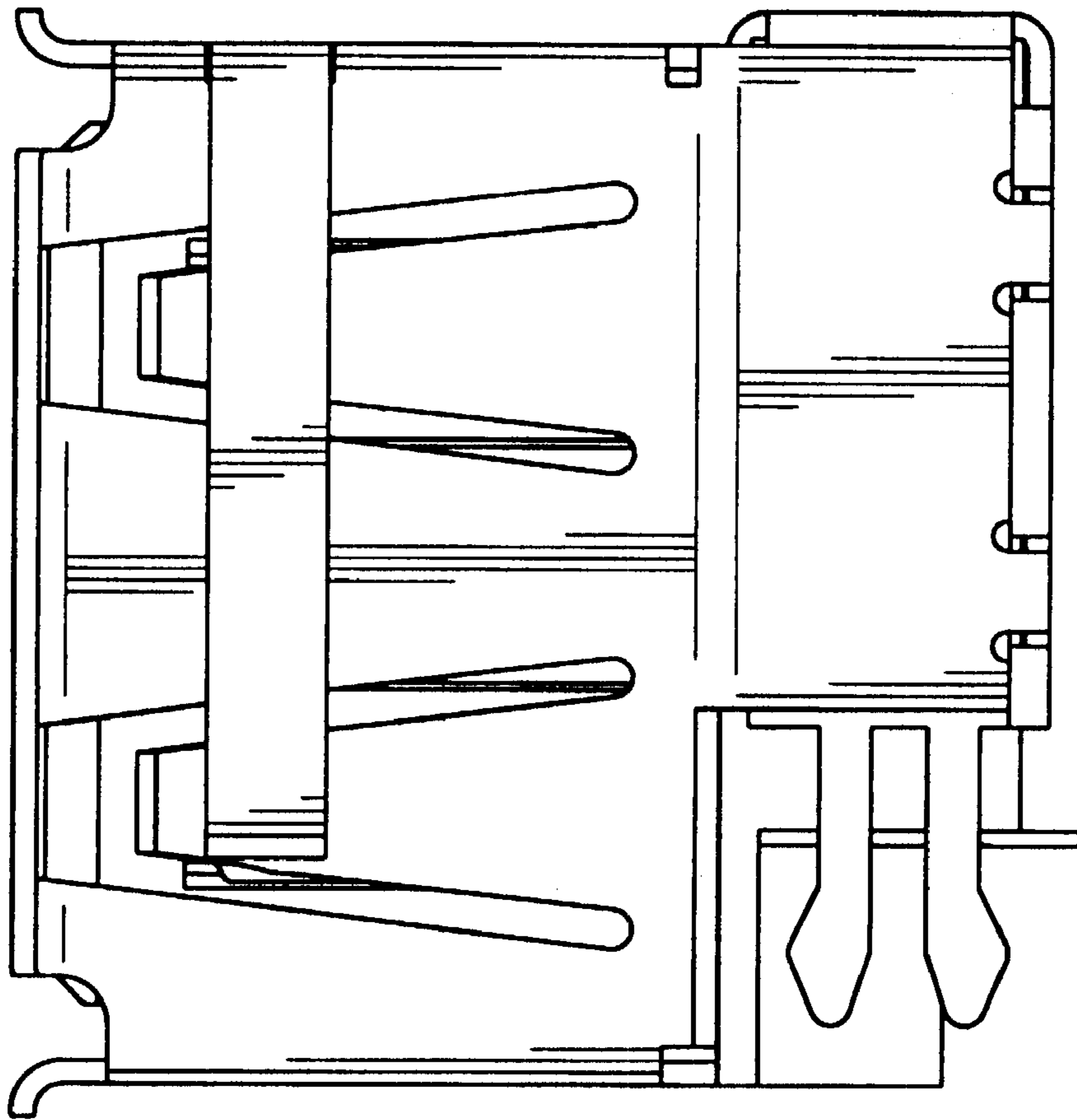


FIG. 5

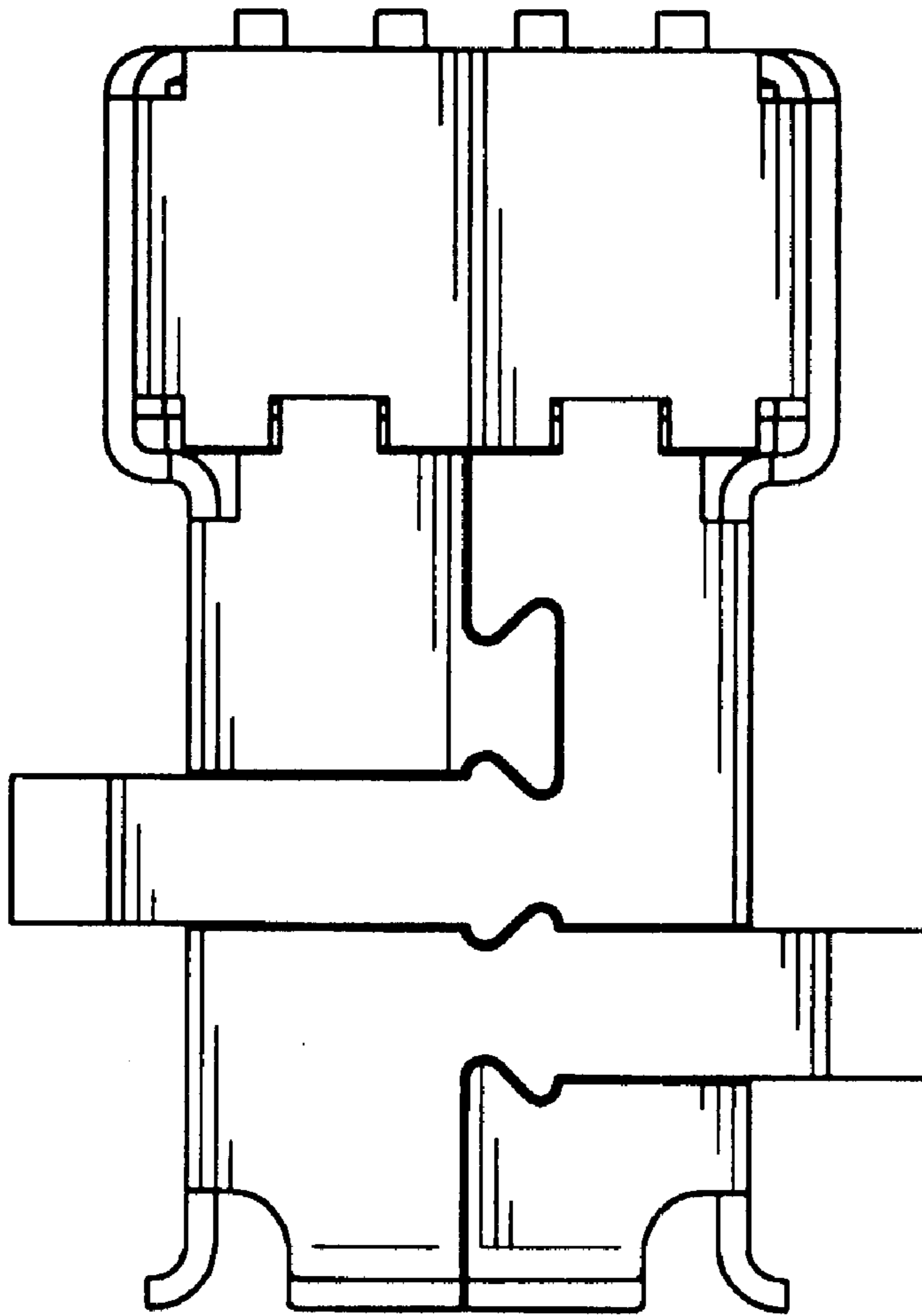


FIG. 6

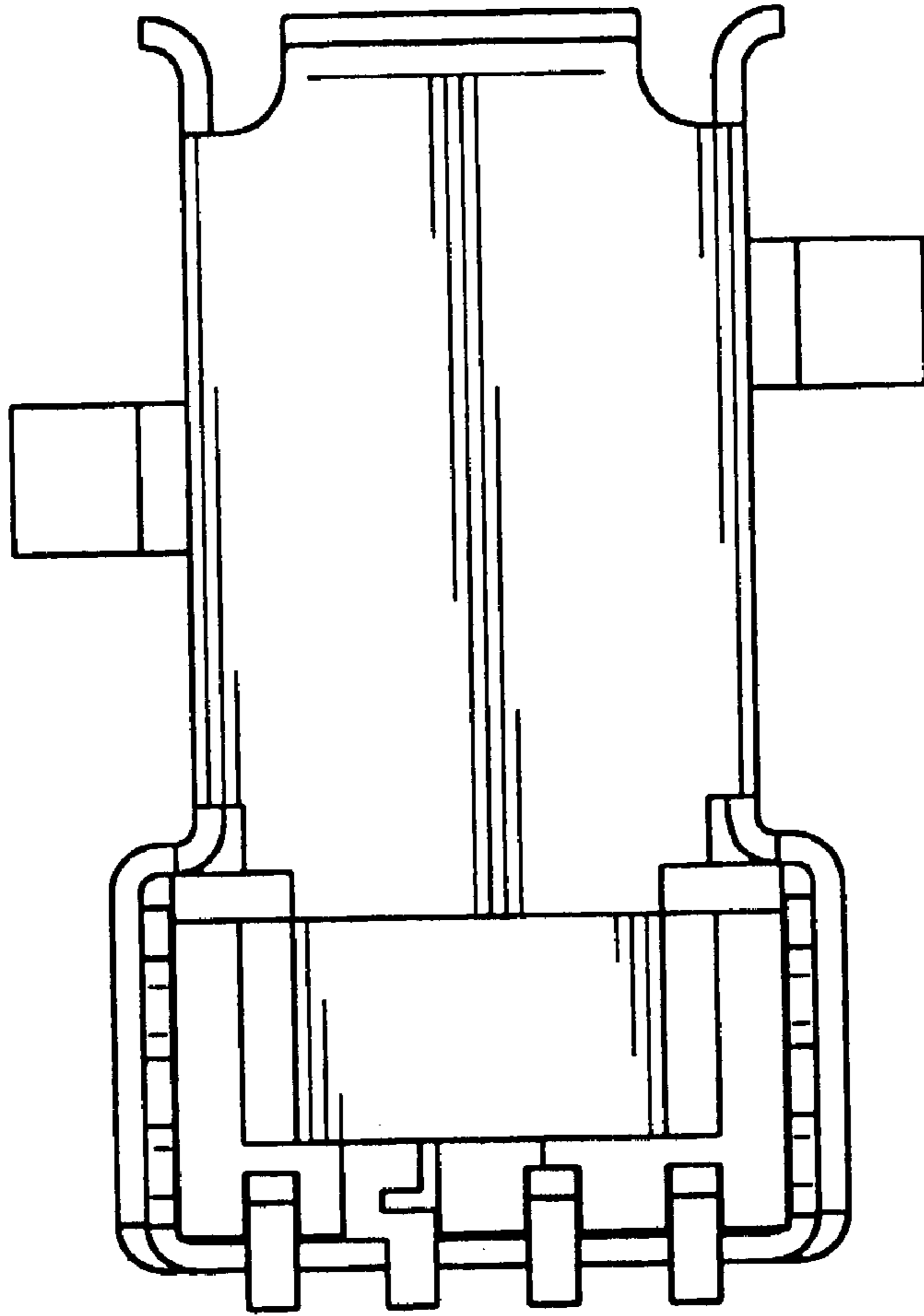


FIG. 7