



US00D447463B1

(12) **United States Design Patent**
Bosatelli

(10) **Patent No.:** **US D447,463 S**

(45) **Date of Patent:** **** Sep. 4, 2001**

(54) **SOCKET**

(75) Inventor: **Domenico Bosatelli**, Cenate Sotto (IT)

(73) Assignee: **Gewiss S.P.A.**, Cenate Sotto (IT)

(**) Term: **14 Years**

(21) Appl. No.: **29/113,846**

(22) Filed: **Nov. 12, 1999**

(30) **Foreign Application Priority Data**

May 11, 1999 (IT) MI9900270

(51) **LOC (7) Cl.** **13-03**

(52) **U.S. Cl.** **D13/146**

(58) **Field of Search** D13/146, 147,
D13/156, 154; 439/142, 136, 133, 318;
174/67; 220/242

(56) **References Cited**

U.S. PATENT DOCUMENTS

- D. 399,187 * 10/1998 Kay D13/146
- D. 399,828 * 10/1998 Eidsvig D13/156
- D. 406,816 * 3/1999 Hopper et al. D13/146
- 4,772,215 * 9/1988 Falk 439/188
- 5,505,632 * 4/1996 Hayashi et al. 439/318

- 5,924,893 * 7/1999 Eidsvig 439/551
- 6,132,227 * 10/2000 Boteler et al. 439/142

* cited by examiner

Primary Examiner—Joel Sincavage

(74) *Attorney, Agent, or Firm*—R. Neil Sudol; Henry D. Coleman; William J. Sapone

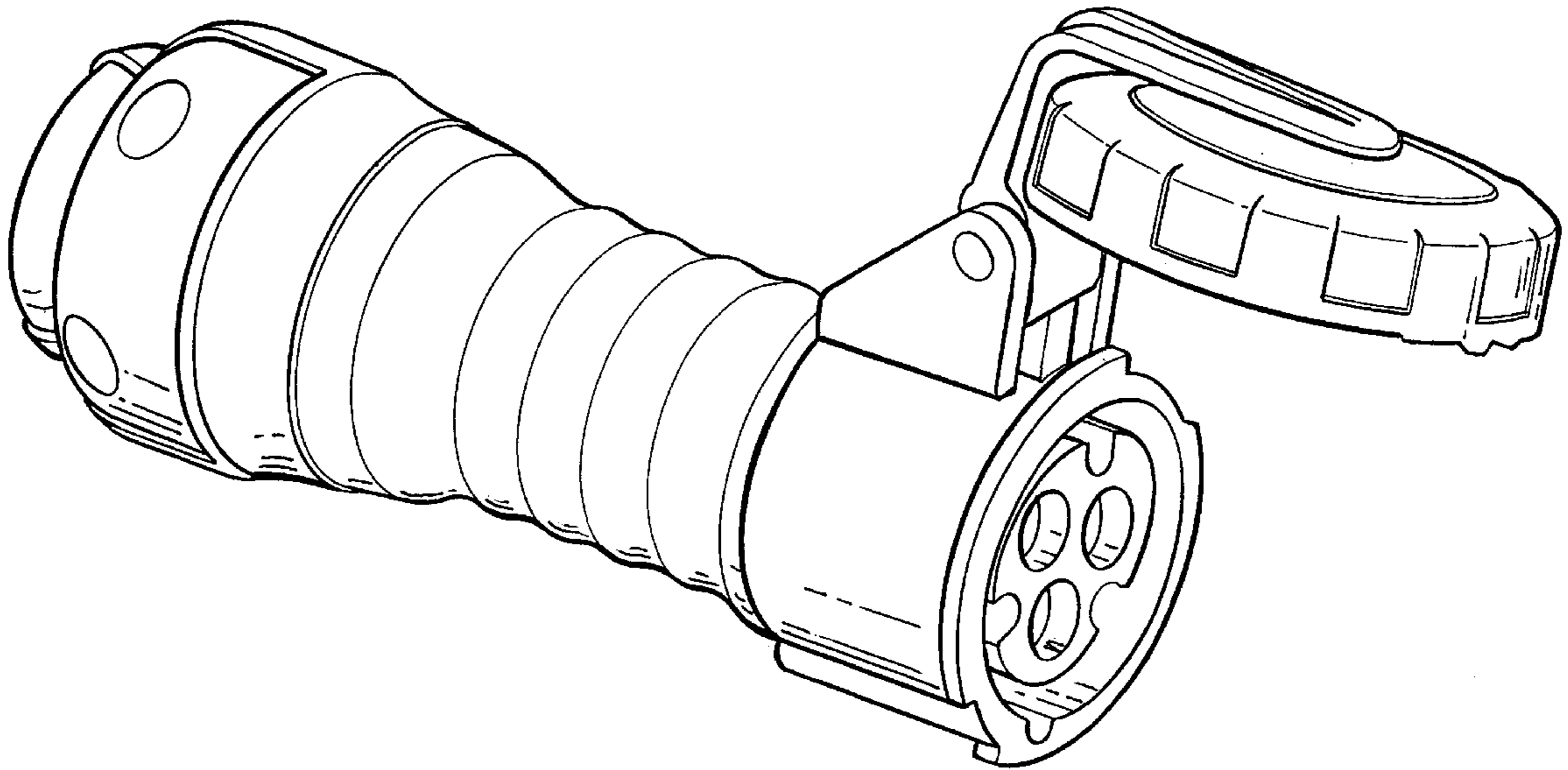
(57) **CLAIM**

The ornamental design for the socket, as shown and described.

DESCRIPTION

FIG. 1 is a top, front, and left side perspective view of a socket, showing my new design with a closed cover;
 FIG. 2 is a view similar to FIG. 1, showing my new design with the cover opened;
 FIG. 3 is a top, rear, and right side perspective view thereof, showing the cover open;
 FIG. 4 is a front elevational view thereof;
 FIG. 5 is a top plan view thereof;
 FIG. 6 is a left side elevational view thereof;
 FIG. 7 is a right side elevational view thereof;
 FIG. 8 is a bottom plan view thereof; and,
 FIG. 9 is a rear elevational view thereof.

1 Claim, 9 Drawing Sheets



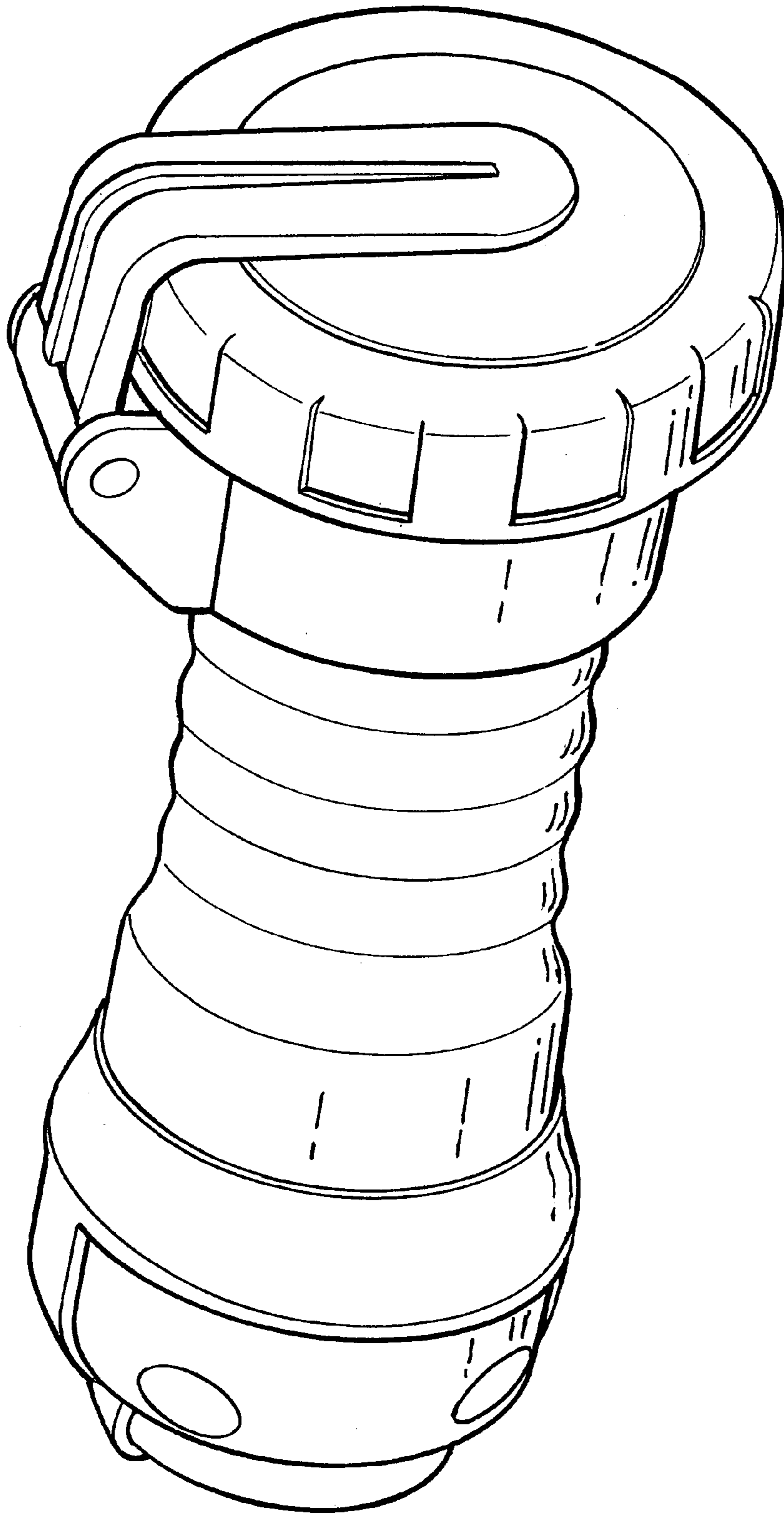


FIG. 1

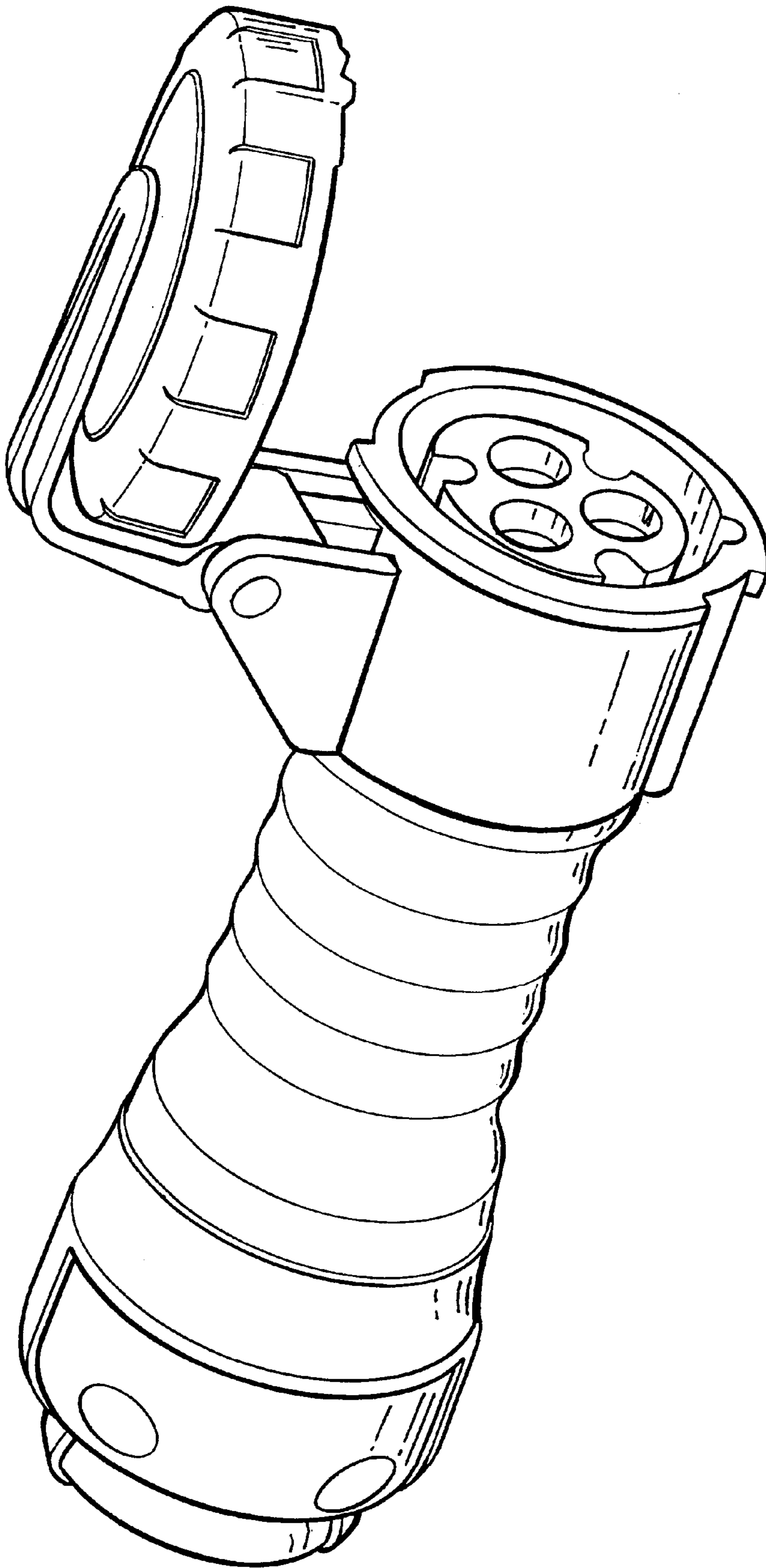


FIG. 2

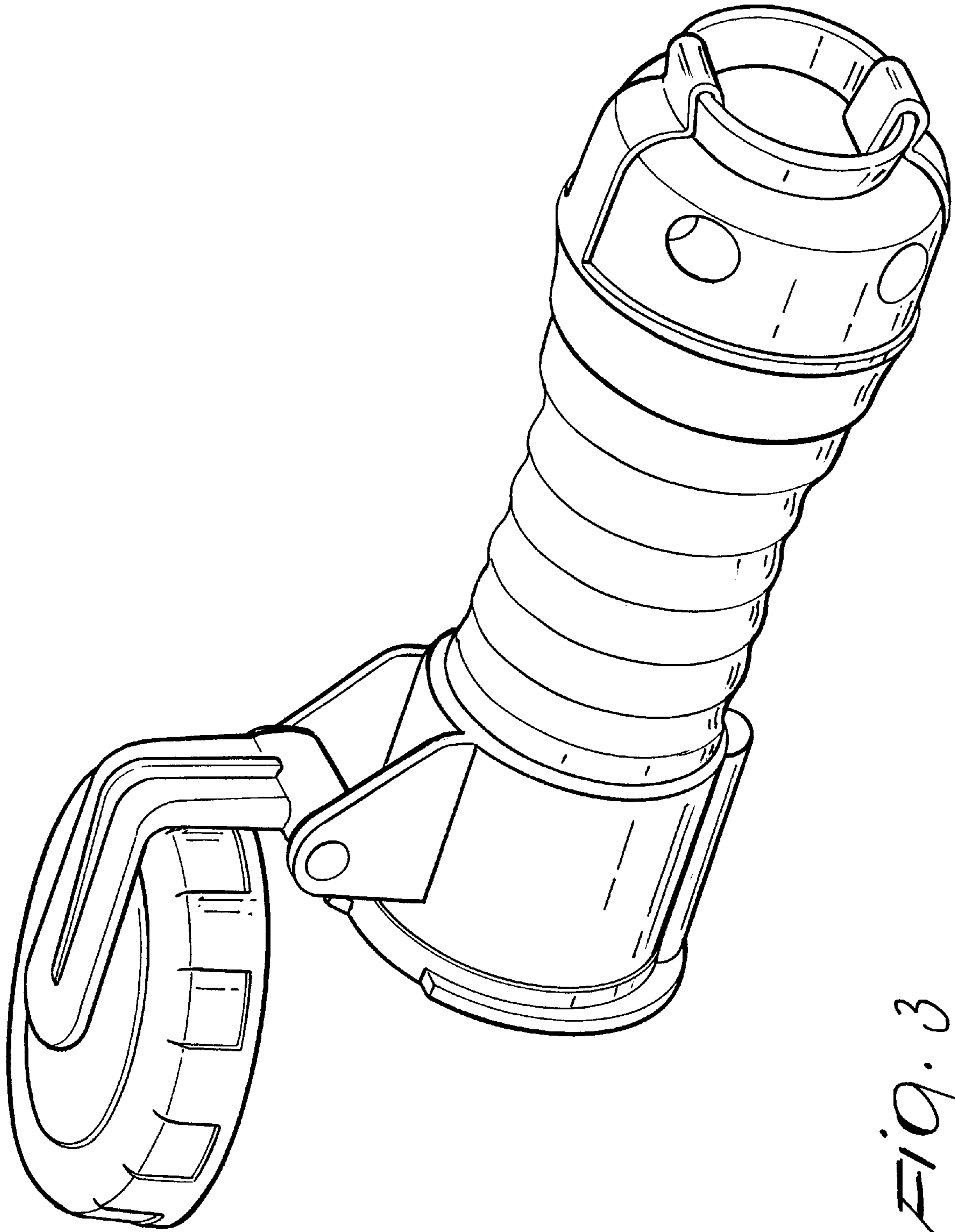


FIG. 3

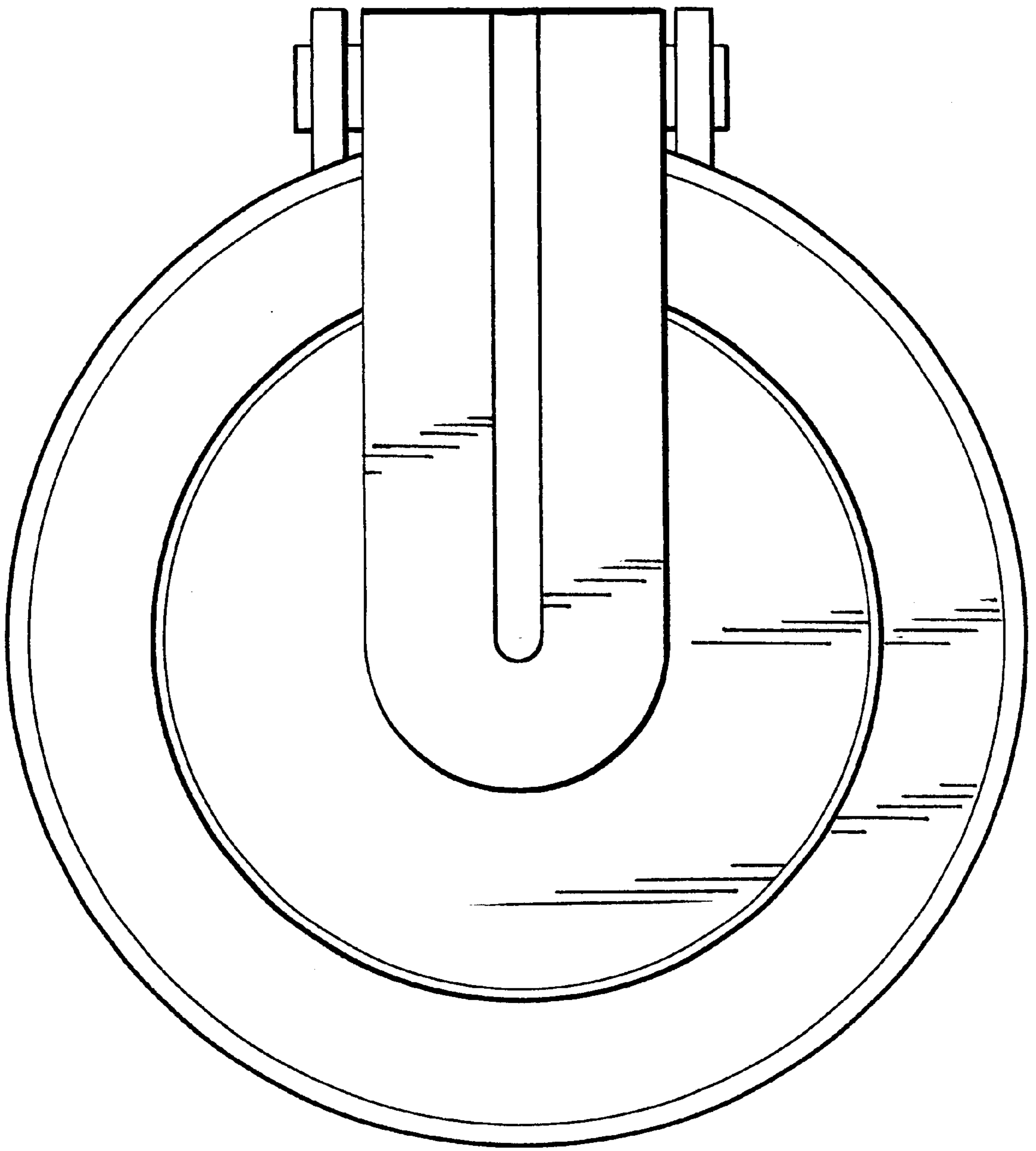


Fig. 4

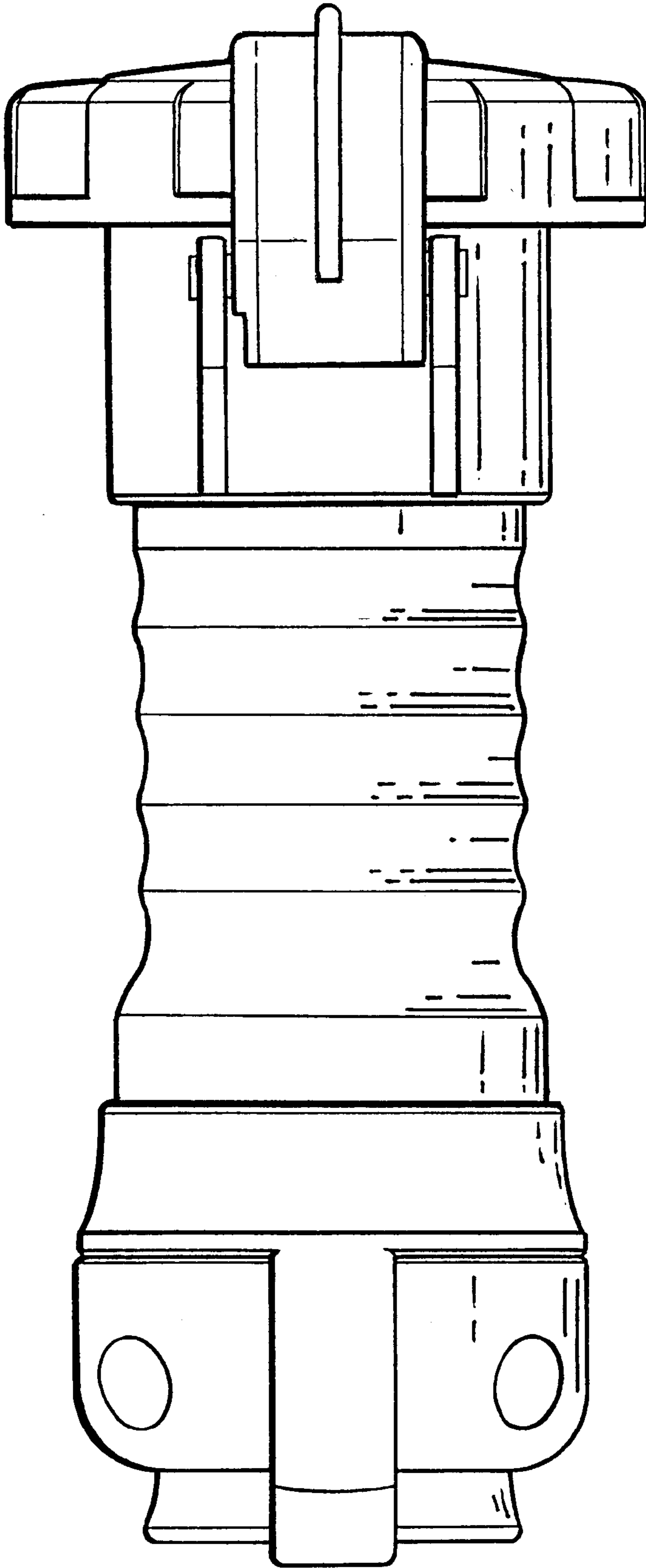


FIG. 5

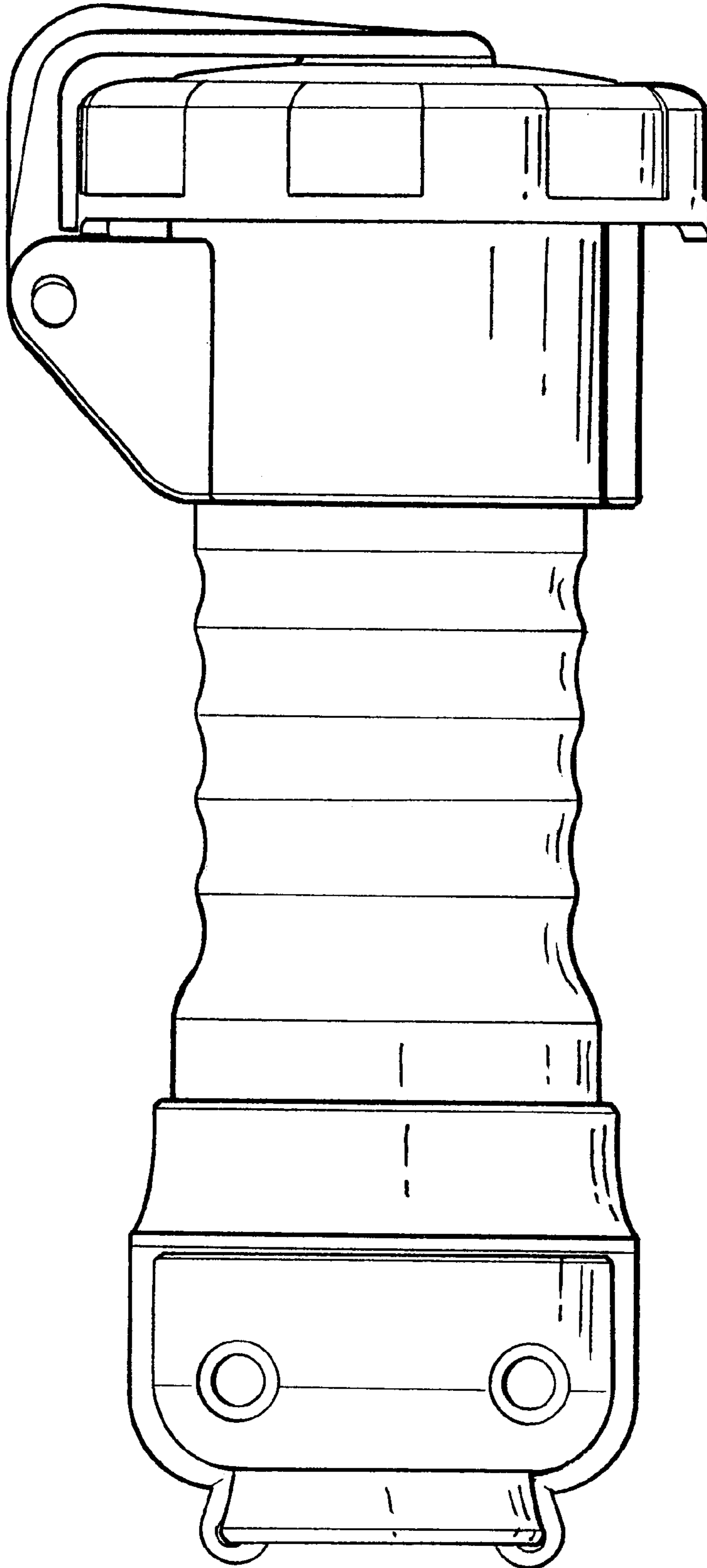


FIG. 6

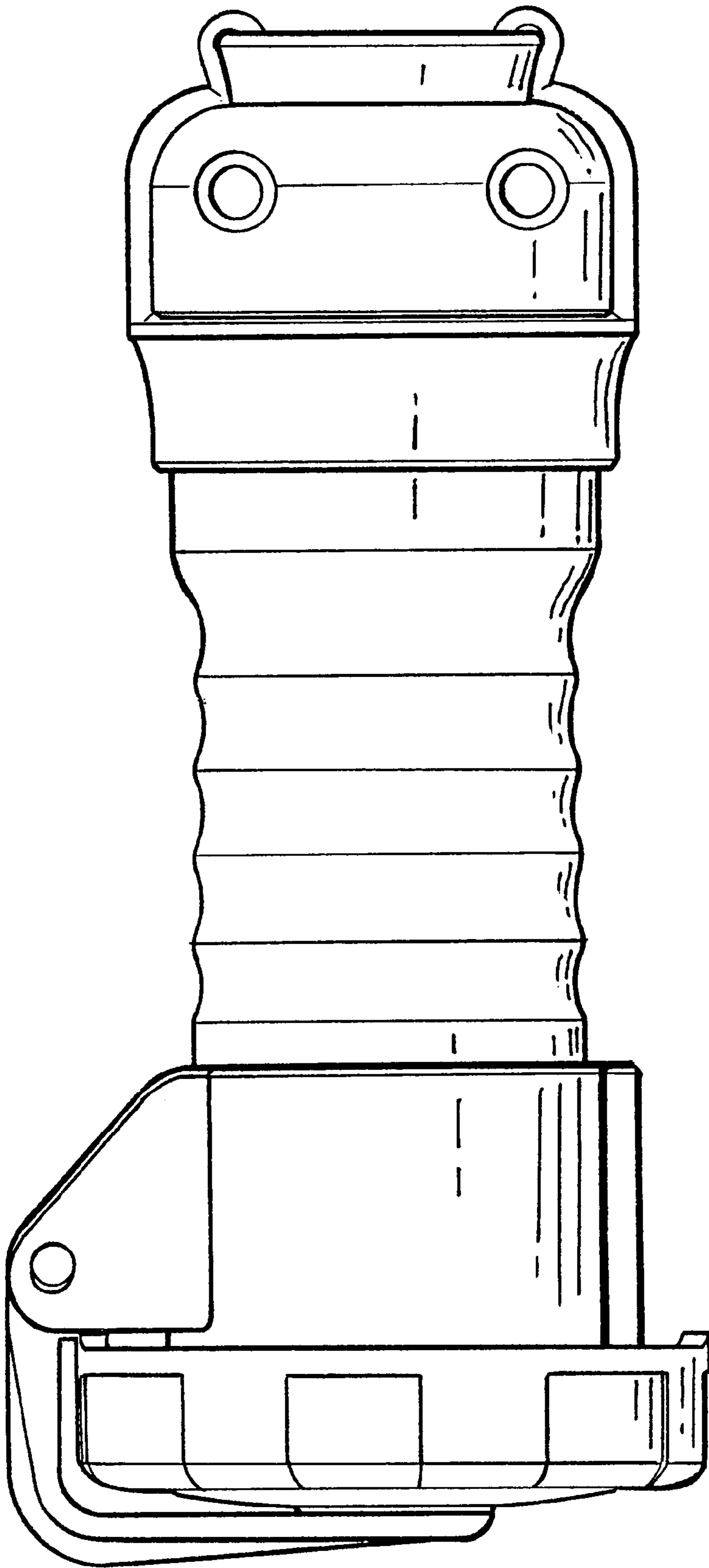


FIG. 7

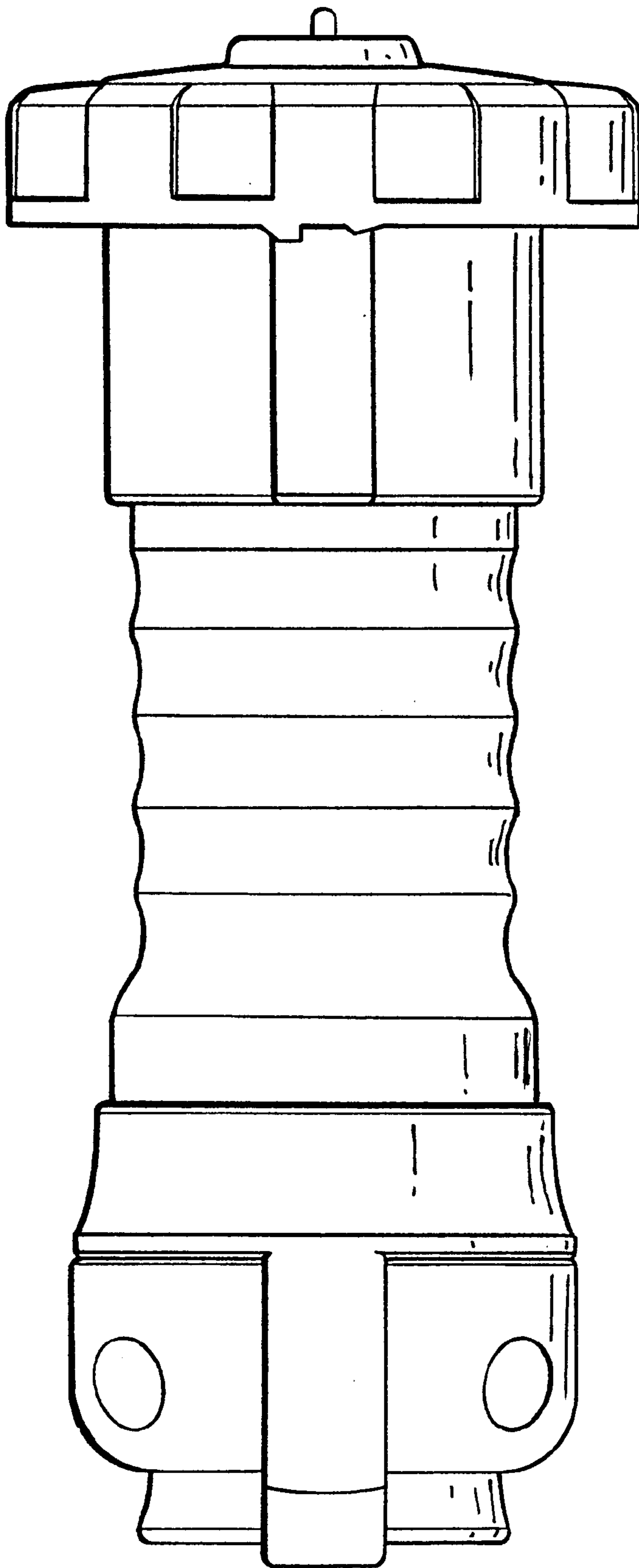


FIG. 8

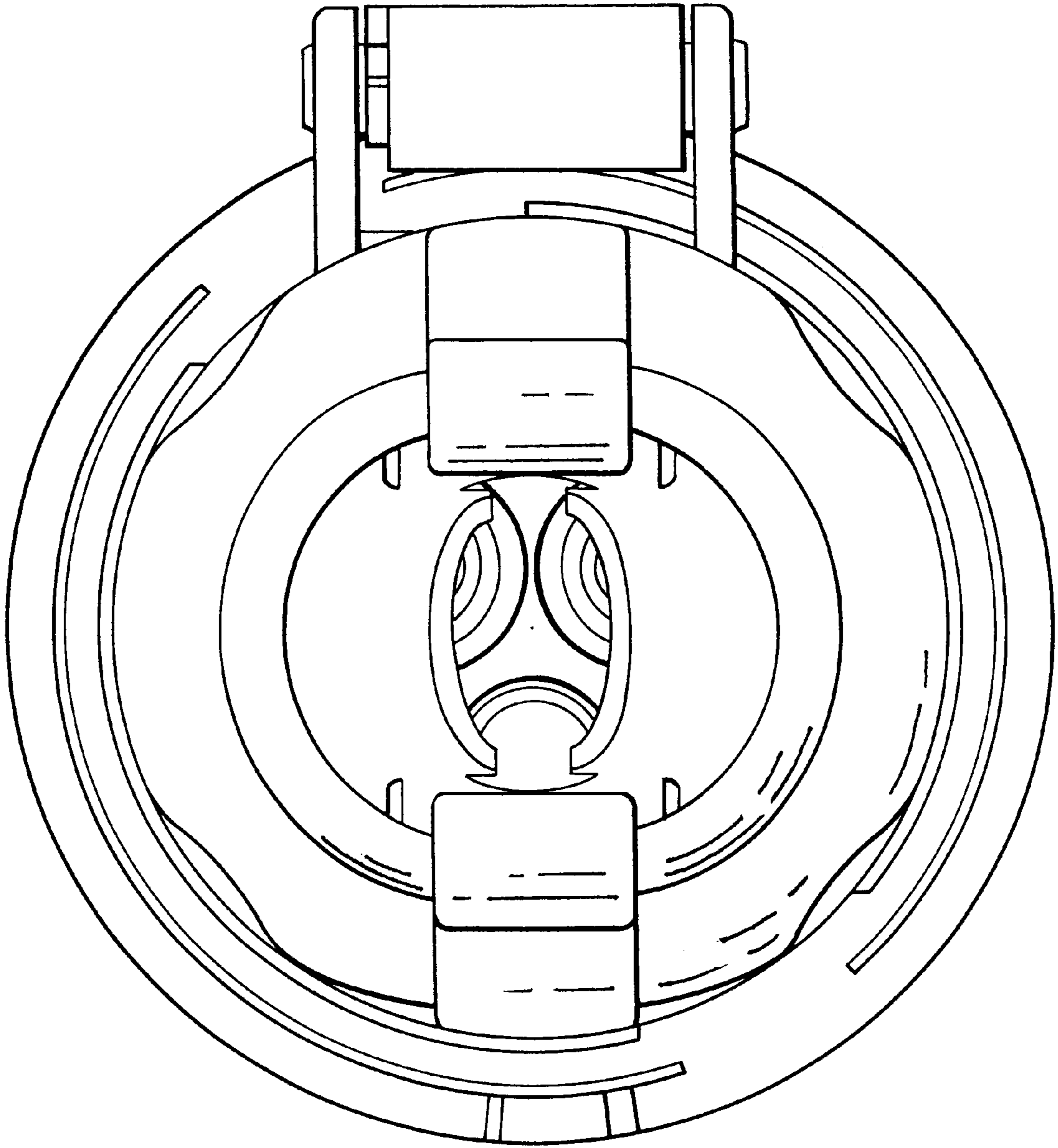


Fig. 9