



US00D447459B1

(12) **United States Design Patent**
Oh

(10) **Patent No.:** **US D447,459 S**

(45) **Date of Patent:** **** Sep. 4, 2001**

(54) **BACK PANEL FOR AUTOMOBILE**

D. 437,814 * 2/2001 Yokomaku D12/196

(75) Inventor: **Sae Pil Oh**, Ulsan (KR)

* cited by examiner

(73) Assignees: **Hyundai Motor Company; Hyundai Mobis**, both of Seoul (KR)

Primary Examiner—Melody N. Brown

(74) *Attorney, Agent, or Firm*—McGuire Woods, LLP

(**) Term: **14 Years**

(57) **CLAIM**

(21) Appl. No.: **29/132,518**

I claim the ornamental design for a back panel for automobile, as shown and described.

(22) Filed: **Nov. 13, 2000**

(30) **Foreign Application Priority Data**

DESCRIPTION

May 20, 2000 (KR) 00-13113

FIG. 1 is a front perspective view of the back panel;

(51) **LOC (7) Cl.** **12-16**

FIG. 2 is a front elevation view of the back panel;

(52) **U.S. Cl.** **D12/196**

FIG. 3 is a back elevation view of the back panel;

(58) **Field of Search** D12/196, 169,
D12/90-92; 296/180.1, 192-197

FIG. 4 is a left side elevation view of the back panel;

FIG. 5 is a right side elevation view of the back panel;

FIG. 6 is a top plan view of the back panel; and,

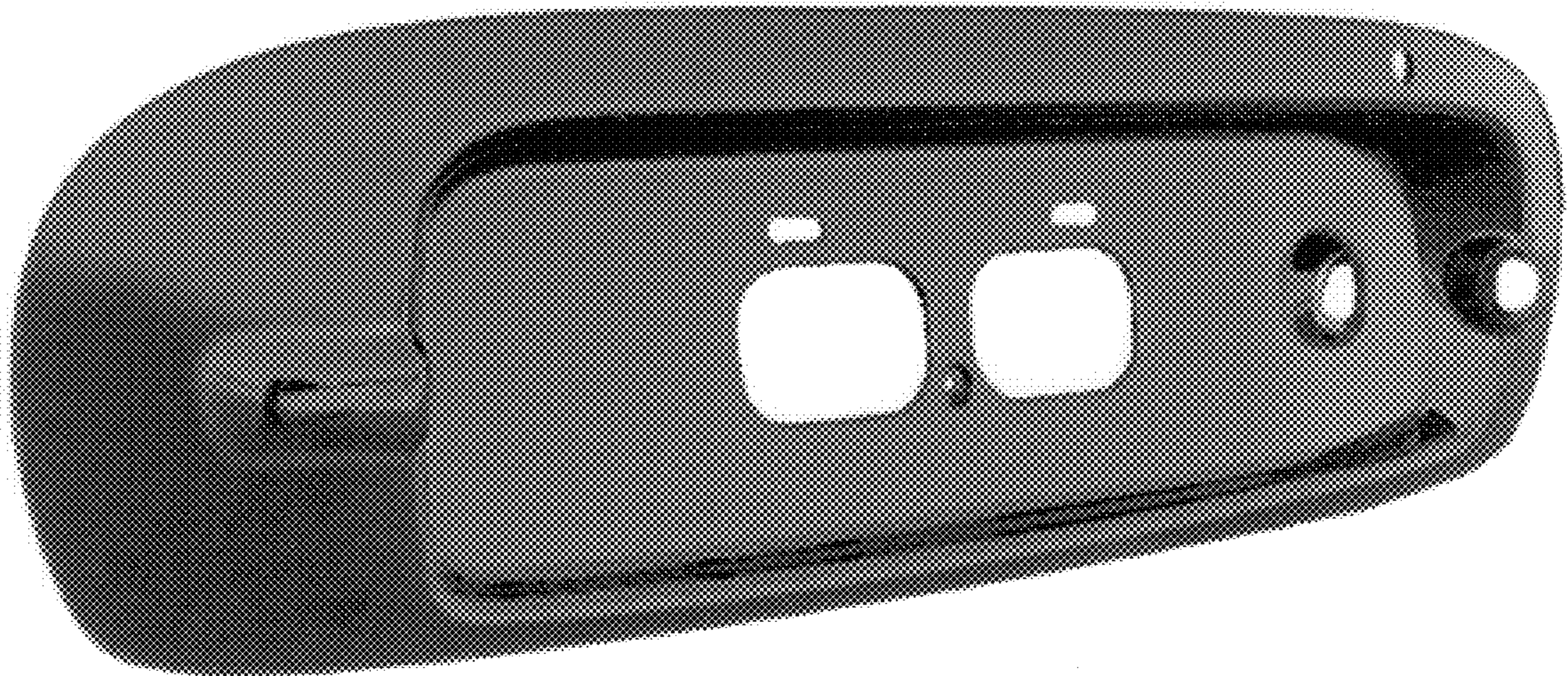
FIG. 7 is a bottom plan view of the back panel.

(56) **References Cited**

U.S. PATENT DOCUMENTS

D. 419,937 * 2/2000 Sacco et al. D12/196

1 Claim, 3 Drawing Sheets



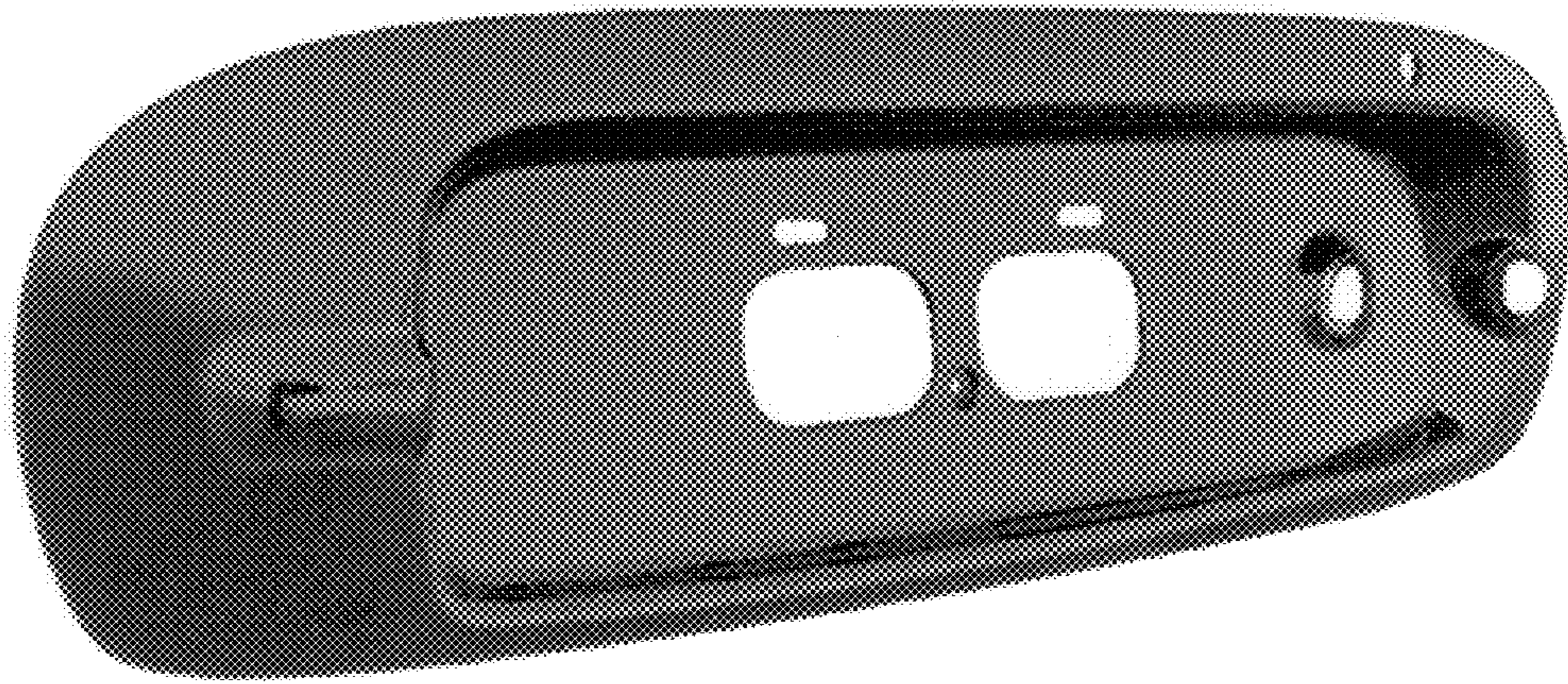


Figure 1

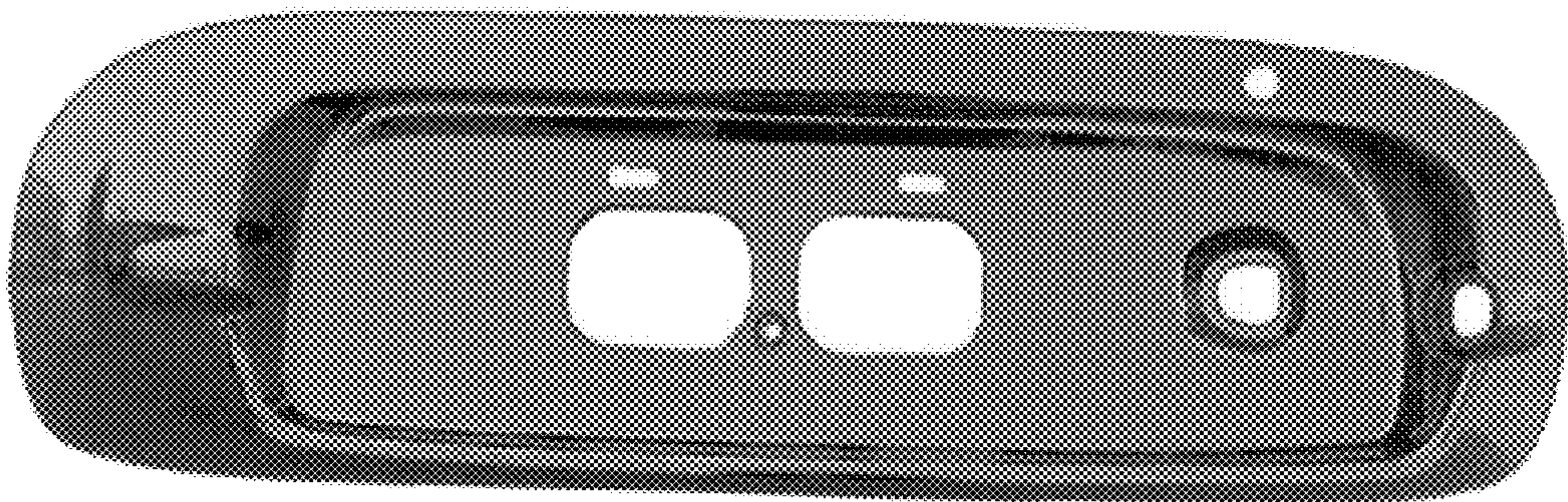


Figure 2

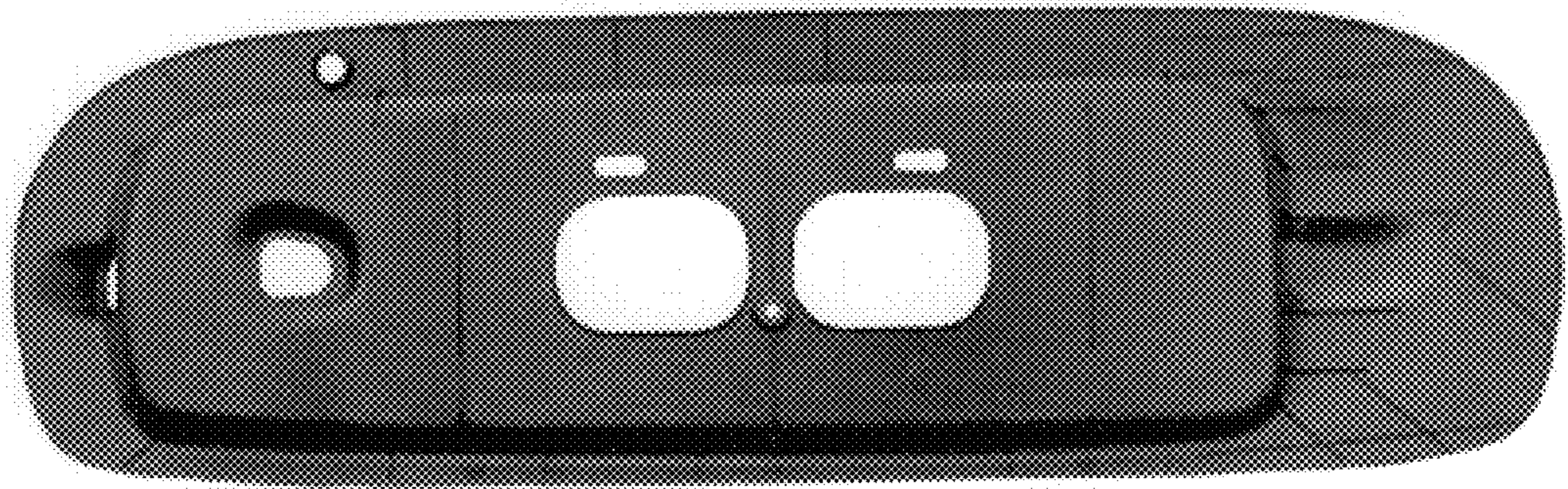


Figure 3

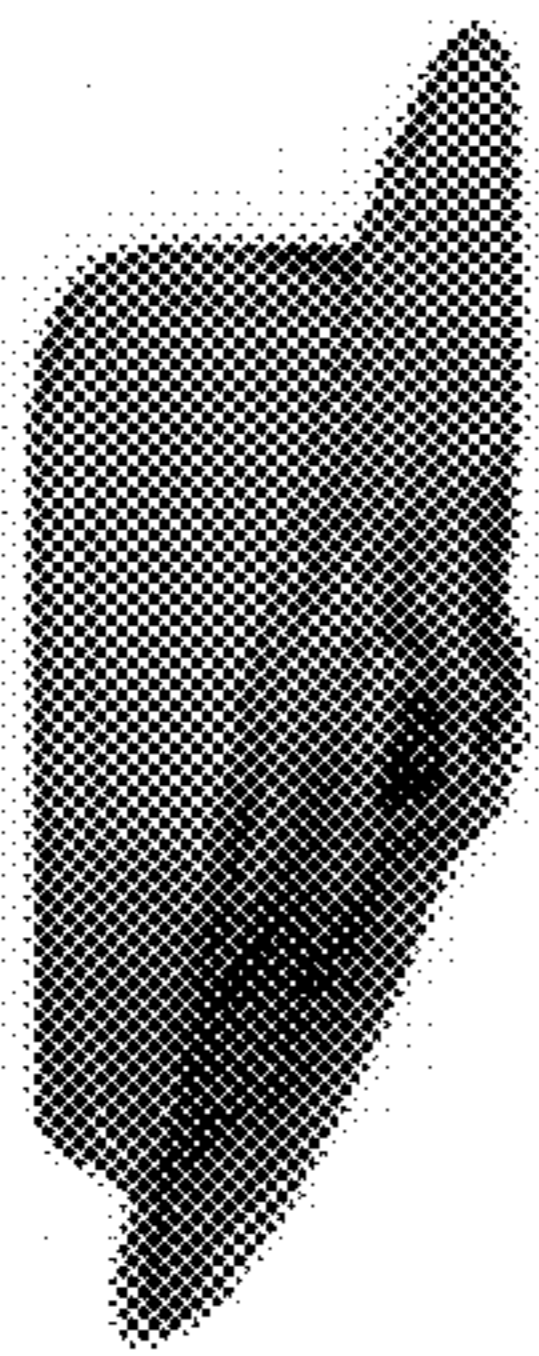


Figure 4



Figure 5

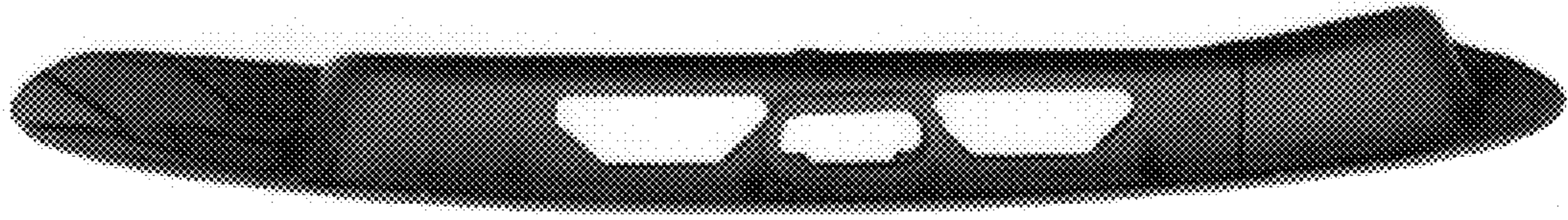


Figure 6

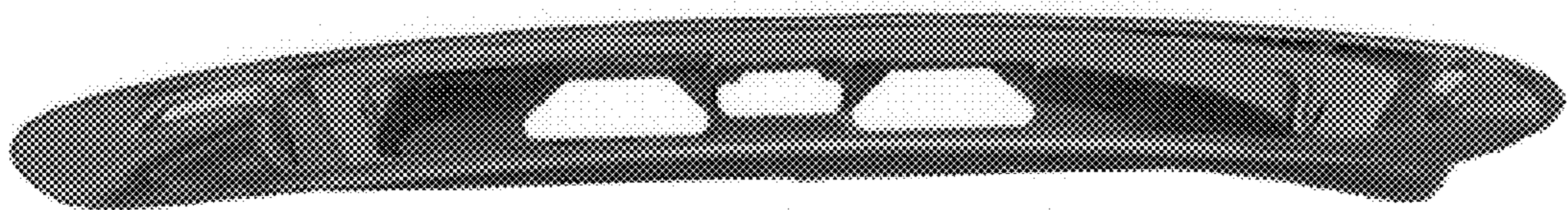


Figure 7