



US00D447456B1

(12) **United States Design Patent**  
**Larson et al.**

(10) **Patent No.: US D447,456 S**

(45) **Date of Patent: \*\* Sep. 4, 2001**

(54) **MUFFLER**

(76) Inventors: **Richard M. Larson**, 614 Lake St.;  
**Thomas J. Wiesenthal**, 920 Perkins  
Ave., Apt. 2, both of Waukesha, WI  
(US) 53186

(\*\*) Term: **14 Years**

(21) Appl. No.: **29/135,718**

(22) Filed: **Jan. 18, 2001**

(51) **LOC (7) Cl. .... 12-16**

(52) **U.S. Cl. .... D12/194**

(58) **Field of Search .... D12/114, 194,**  
D12/400; 29/890, 890.8; 60/317; 181/227,  
228, 247, 256, 257, 264, 282; D15/5

(56) **References Cited**

**U.S. PATENT DOCUMENTS**

D. 180,896	*	9/1957	Deremer	.....	D12/194
D. 199,181	*	9/1964	Walker	.....	D12/194
D. 202,181	*	9/1965	Brown	.....	D12/194
D. 226,905	*	5/1973	Buckalew et al.	.....	D12/194
D. 246,038	*	10/1977	Moller	.....	D12/194
D. 261,501	*	10/1981	Schenker	.....	D12/194
D. 271,963	*	12/1983	Perkins	.....	D12/194
D. 394,236	*	5/1998	Verlengiere	.....	D12/194
D. 397,319	*	8/1998	Hoagland, IV	.....	D12/194

D. 406,089	*	2/1999	Burns	.....	D12/194
D. 420,316	*	2/2000	Hanlon et al.	.....	D12/194
2,586,788	*	2/1952	Cushman	.....	181/228

\* cited by examiner

*Primary Examiner*—Stacia Cadmus

(74) *Attorney, Agent, or Firm*—Andrus, Scales, Starke & Sawall, LLP

(57) **CLAIM**

The ornamental design for a muffler, as shown and described.

**DESCRIPTION**

FIG. 1 is a perspective view of a muffler showing our new design;

FIG. 2 is an elevational view of the muffler shown in FIG. 1;

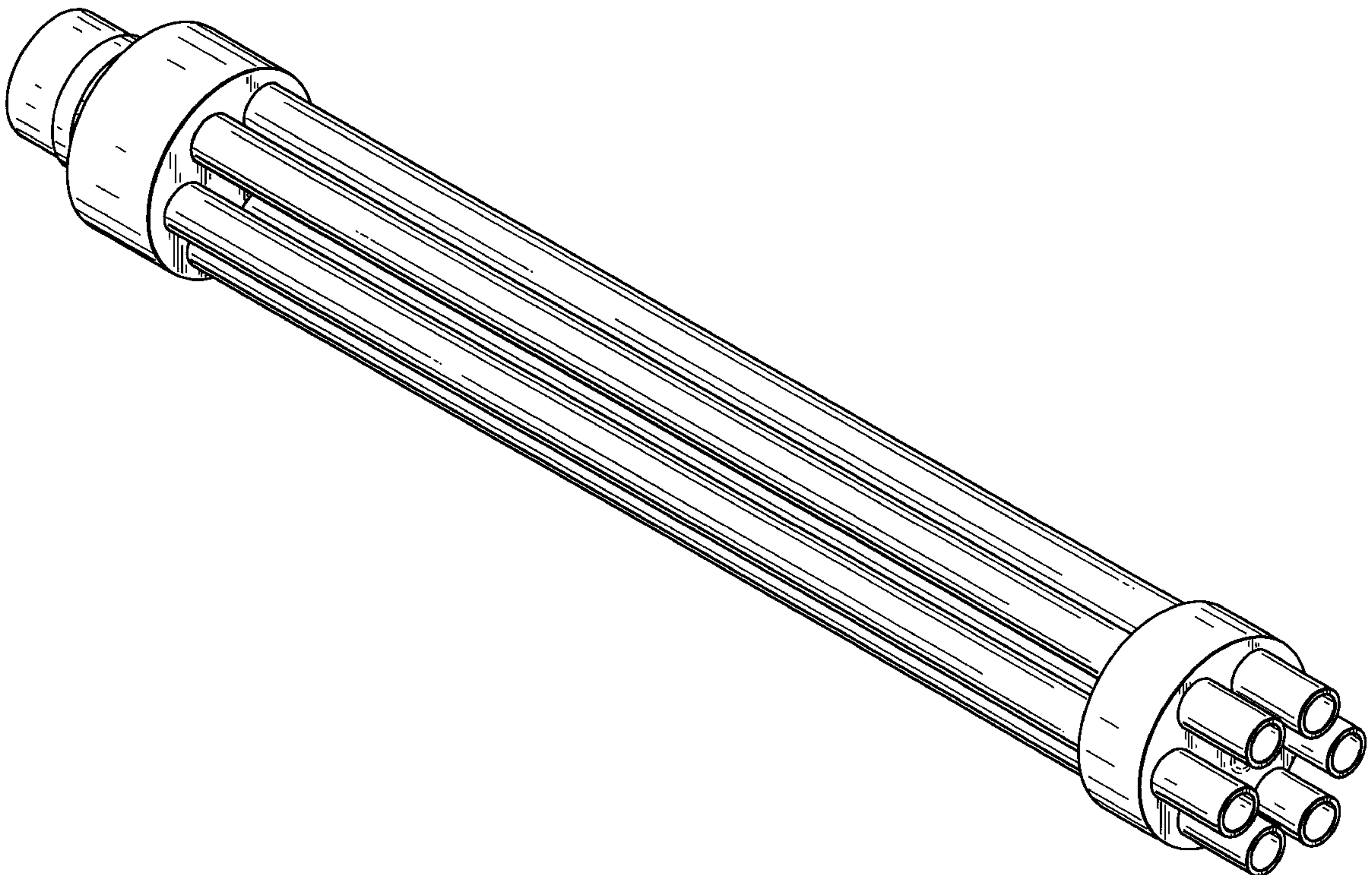
FIG. 3 is a top view of the muffler shown in FIG. 1;

FIG. 4 is a view of the muffler taken from the left side of FIG. 2; and,

FIG. 5 is a view of the muffler taken from the right side of FIG. 2.

The broken line showing of environment in FIG. 4 is for illustrative purposes only and forms no part of the claimed design.

**1 Claim, 2 Drawing Sheets**



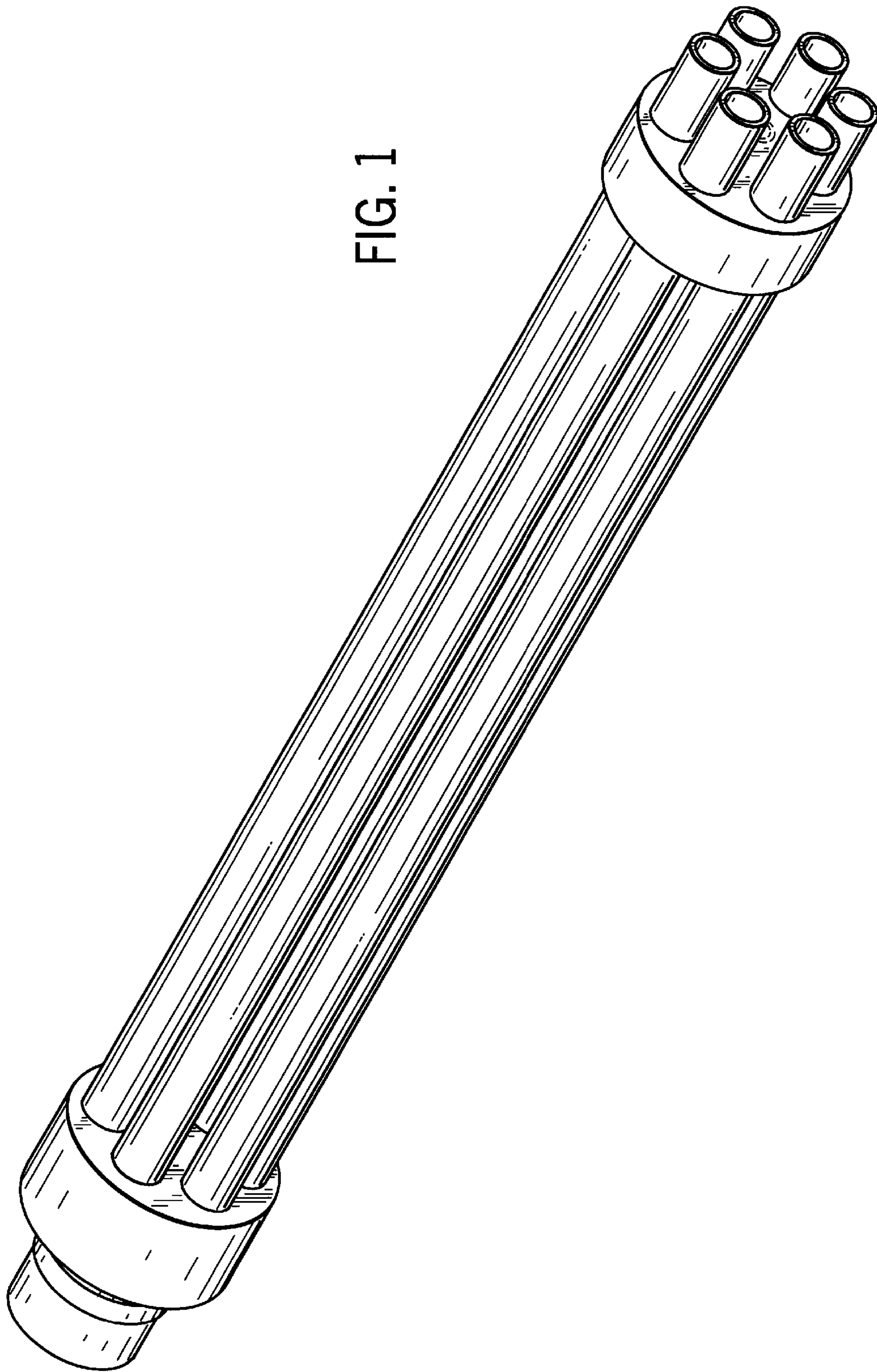


FIG. 1

FIG. 2

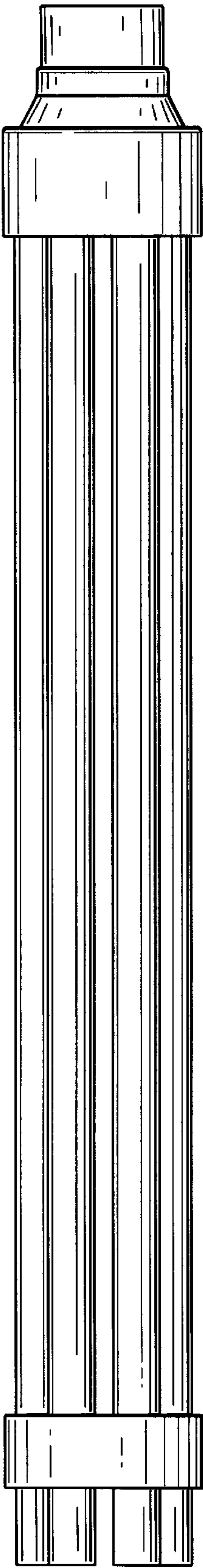


FIG. 3

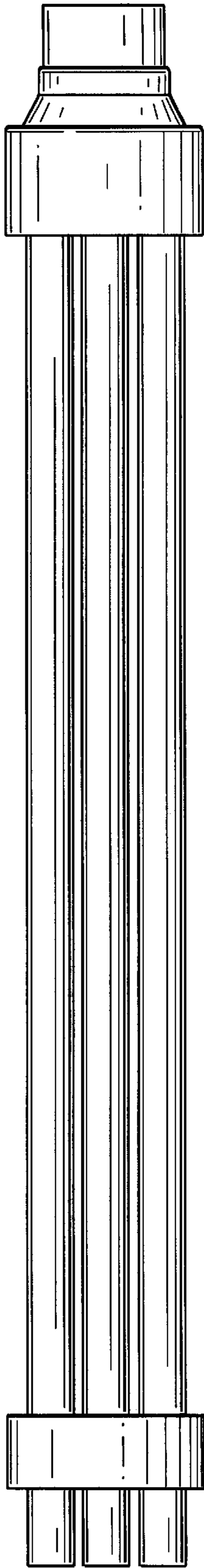


FIG. 4

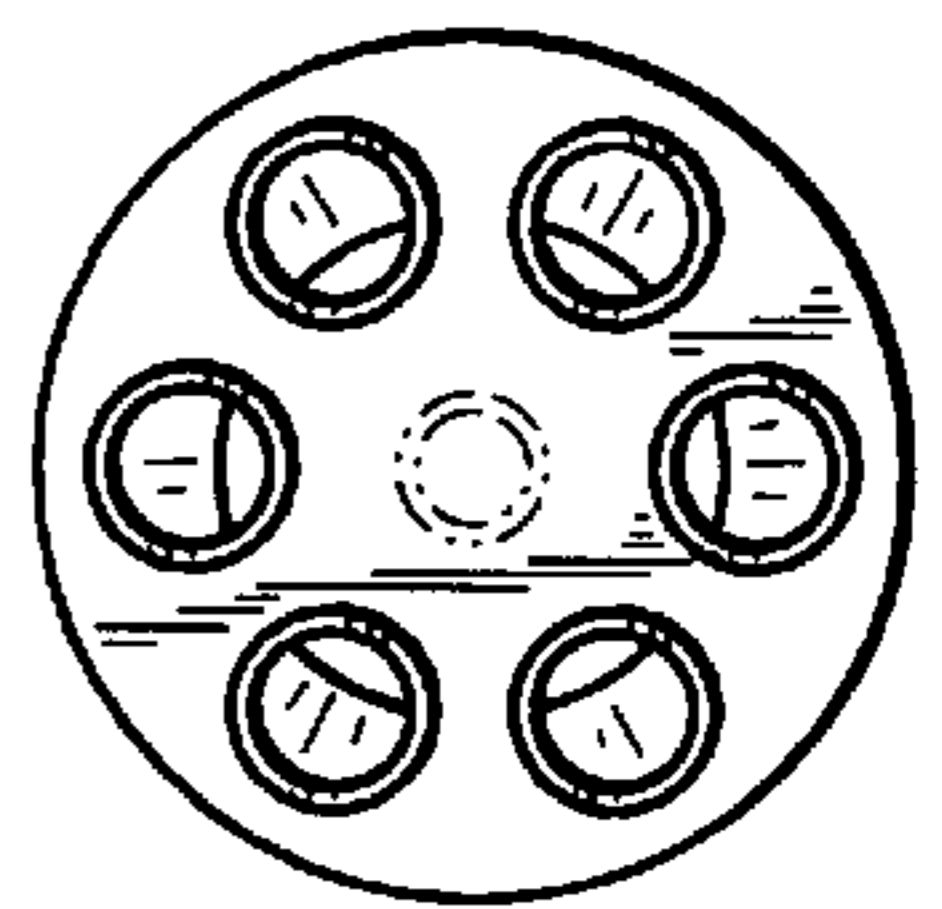


FIG. 5

