



US00D447455B1

(12) **United States Design Patent**
Stevens

(10) **Patent No.:** **US D447,455 S**

(45) **Date of Patent:** **** Sep. 4, 2001**

(54) **STEERING WHEEL COVER**
(75) Inventor: **Laurie J. Stevens**, Oak Park, CA (US)
(73) Assignee: **Quaker State Investment Corporation**, Houston, TX (US)
(**) Term: **14 Years**

D. 411,495 6/1999 Itshakov .
D. 415,082 10/1999 Itshakov .
1,317,730 10/1919 Ryan .
1,876,993 9/1932 Manning .
1,984,033 12/1934 Ritchie .
3,726,152 4/1973 Tsuneizumi .
5,327,799 * 7/1994 Len 74/558

* cited by examiner

(21) Appl. No.: **29/116,199**
(22) Filed: **Dec. 28, 1999**

Primary Examiner—Melody N. Brown
(74) *Attorney, Agent, or Firm*—Jenkins & Gilchrist, A Professional Corporation

(51) **LOC (7) Cl.** **12-16**
(52) **U.S. Cl.** **D12/177**
(58) **Field of Search** D12/177, 175,
D12/176; 74/552, 558, 558.5

(57) **CLAIM**

The ornamental design for a steering wheel cover, as shown and described.

(56) **References Cited**

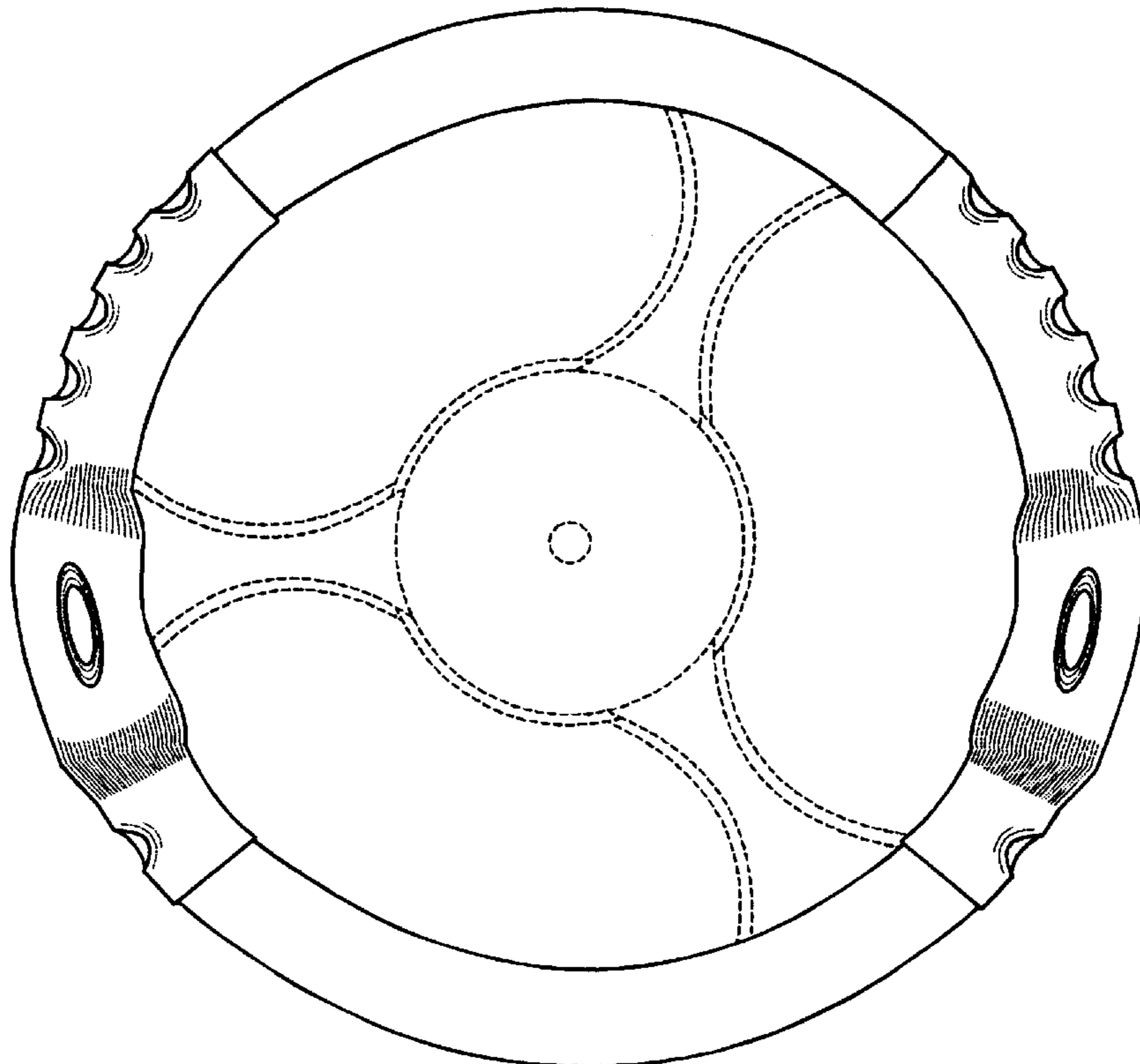
DESCRIPTION

U.S. PATENT DOCUMENTS

D. 68,698 11/1925 Geyer .
D. 184,365 2/1959 Marker .
D. 222,768 12/1971 Tsuneizumi .
D. 252,457 7/1979 Conterno .
D. 280,314 * 8/1985 Strongwater D12/177
D. 311,369 10/1990 Whitley .
D. 321,497 11/1991 Whitley .
D. 342,925 1/1994 Brajcki .
D. 364,672 11/1995 Shroitman .
D. 395,629 * 6/1998 Moore, Jr. D12/177
D. 409,538 5/1999 Isetani .

FIG. 1 is a front perspective view of the steering wheel cover showing my new design. The placement of a typical steering wheel is shown by dotted lines.
FIG. 2 is a rear perspective view thereof. The placement of a typical steering wheel is shown by dotted lines and is not part of the claimed design.
FIG. 3 is a left side elevational view thereof.
FIG. 4 is a right side elevational view thereof.
FIG. 5 is a top plan view thereof; and,
FIG. 6 is a bottom plan view thereof.

1 Claim, 4 Drawing Sheets



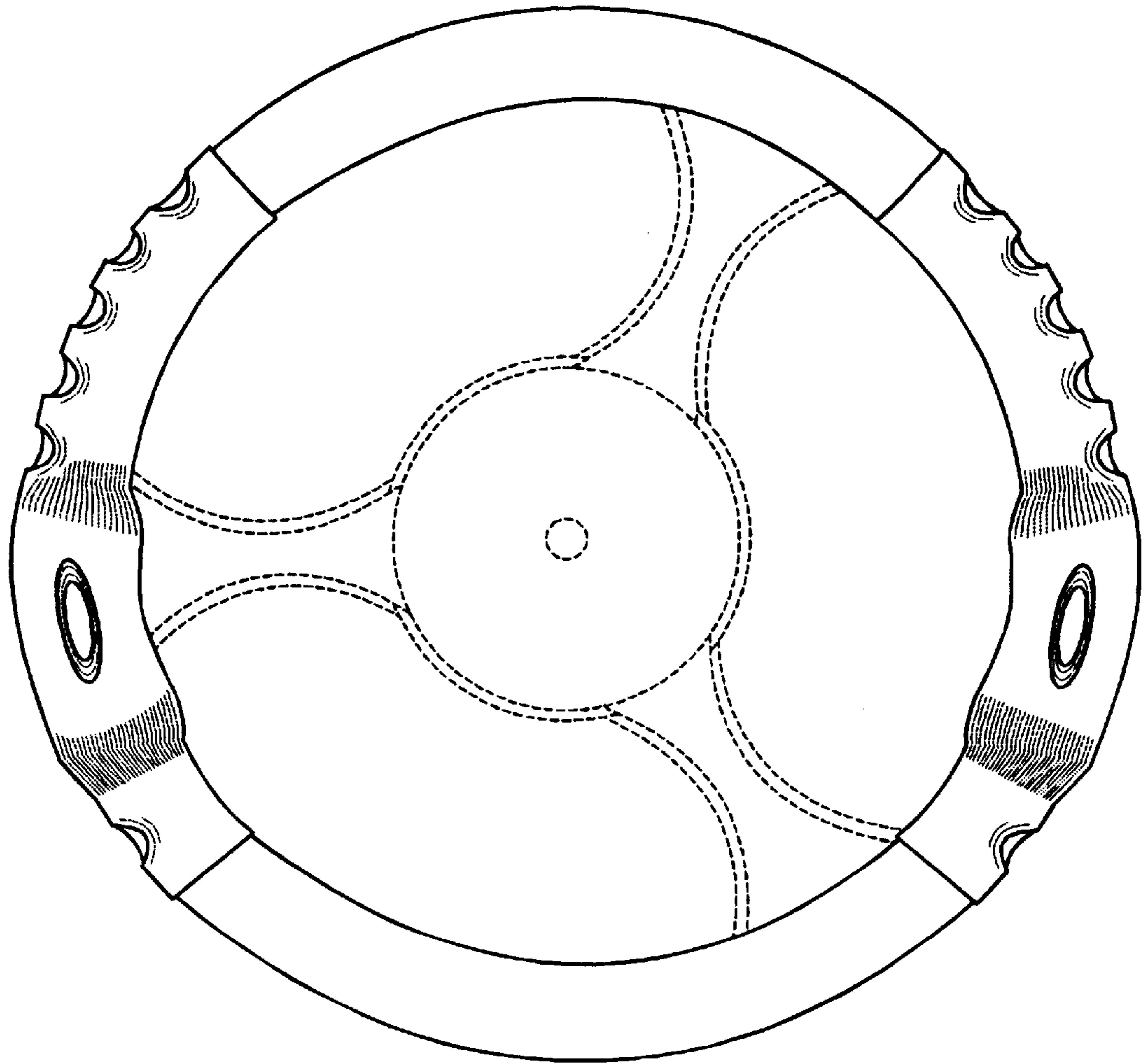


FIG. 1

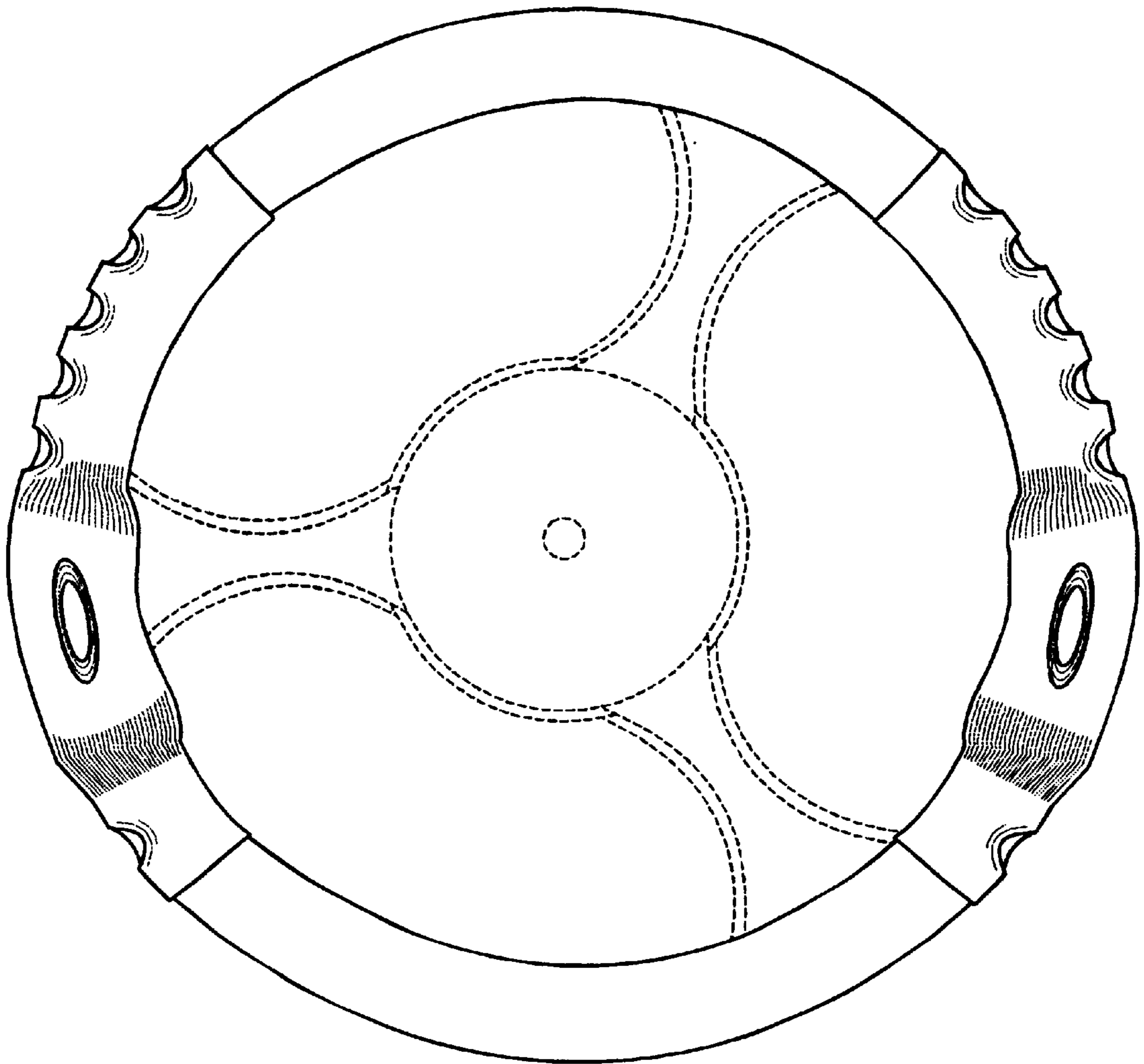


FIG. 2

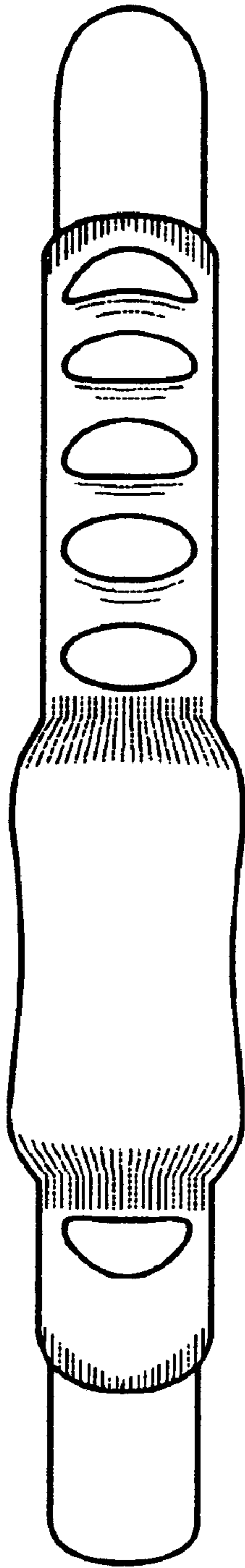


FIG. 3

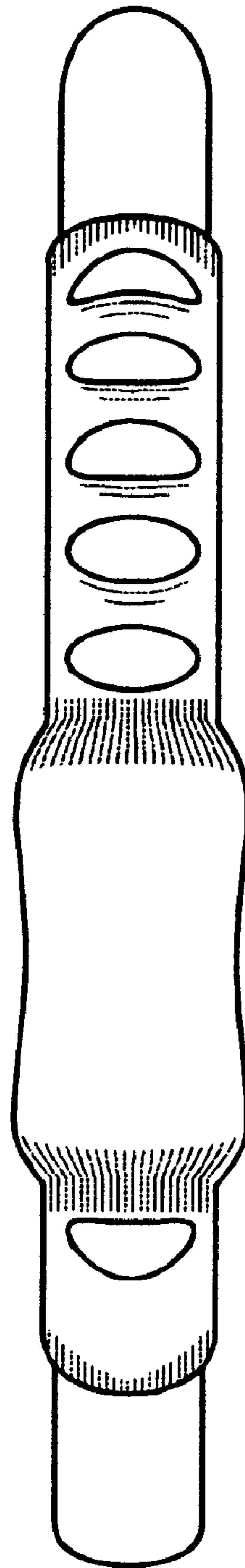


FIG. 4

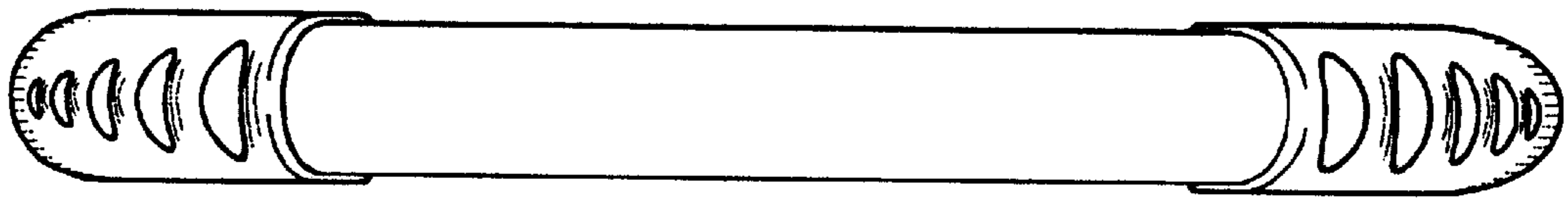


FIG. 5

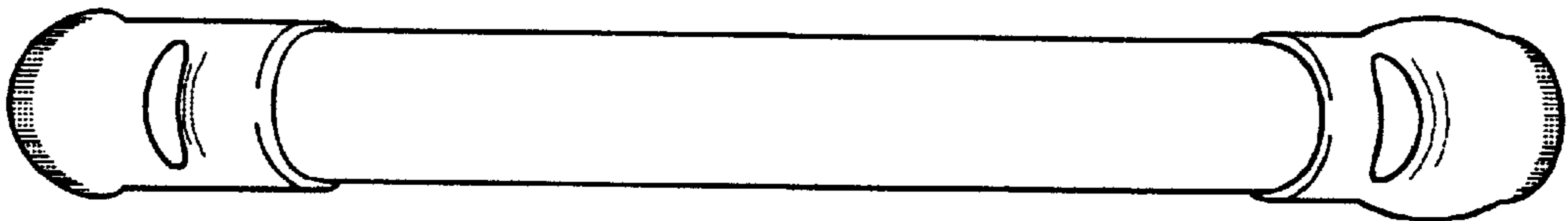


FIG. 6