



US00D447444B1

(12) **United States Design Patent**  
**Rougier**

(10) **Patent No.:** **US D447,444 S**

(45) **Date of Patent:** **\*\* Sep. 4, 2001**

(54) **HANDLEBAR COVER**

(76) **Inventor:** **Russell A. Rougier**, 81 Smith Corner Rd., Newton, NH (US) 03858

(\*\*) **Term:** **14 Years**

(21) **Appl. No.:** **29/118,749**

(22) **Filed:** **Feb. 15, 2000**

(51) **LOC (7) Cl.** ..... **12-11**

(52) **U.S. Cl.** ..... **D12/114**

(58) **Field of Search** ..... D12/126, 111, D12/114, 174, 177, 178; D8/303; 16/110, 406, 421, 422, DIG. 30; 280/288.4; 74/488, 551.1-551.9, 557, 558; 180/219

(56) **References Cited**

**U.S. PATENT DOCUMENTS**

D. 410,834 \* 6/1999 Hsu ..... D8/303  
2,191,294 \* 2/1940 Turner ..... 16/422 X

4,895,044 \* 1/1990 Ekins ..... 74/551.9

\* cited by examiner

*Primary Examiner*—Alan P. Douglas

*Assistant Examiner*—Linda Brooks

(74) *Attorney, Agent, or Firm*—Hamilton, Brook, Smith & Reynolds, P.C.

(57) **CLAIM**

The ornamental design for a handlebar cover, as shown and described.

**DESCRIPTION**

FIG. 1 is a perspective view of a handlebar cover employing my new design.

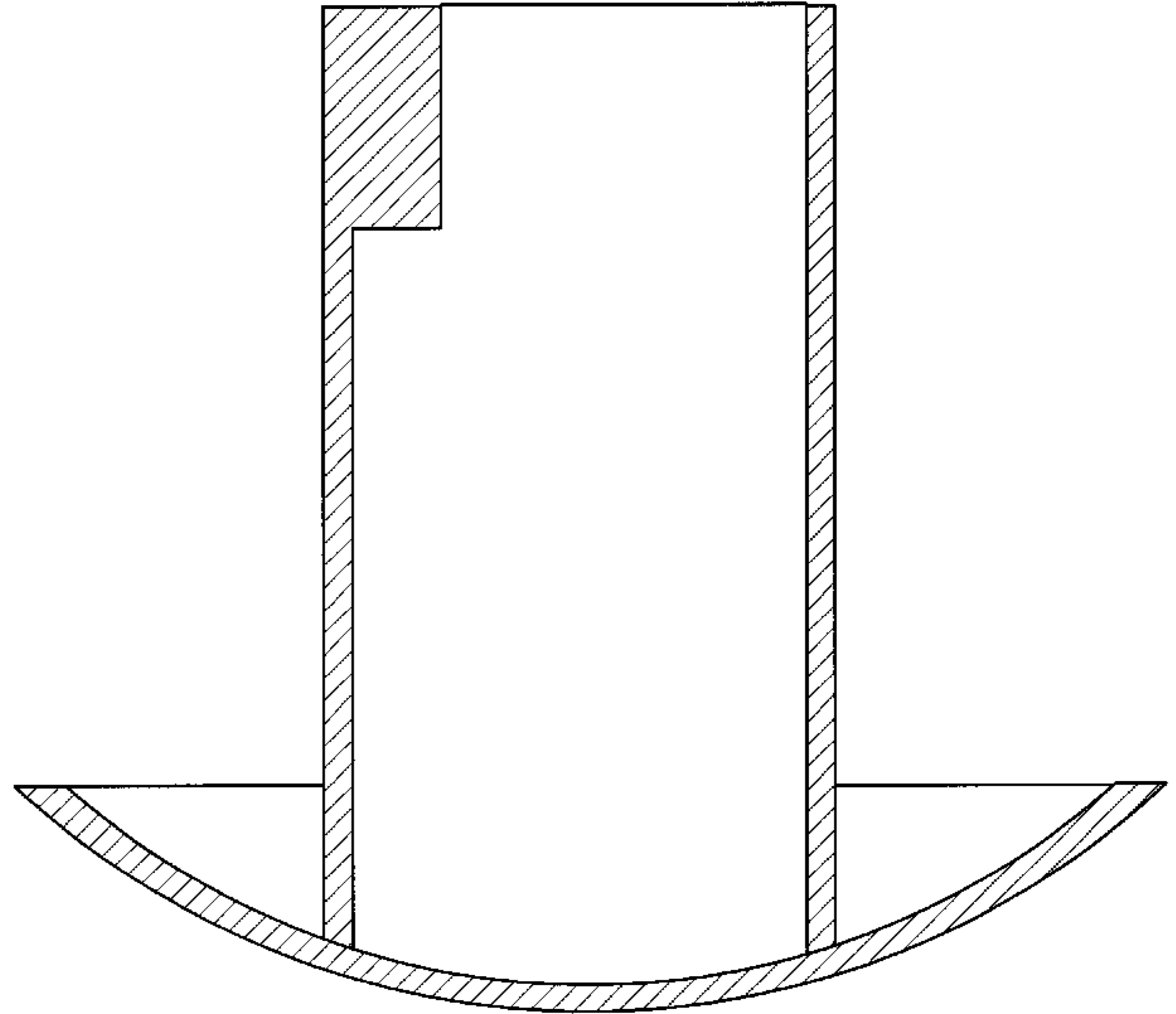
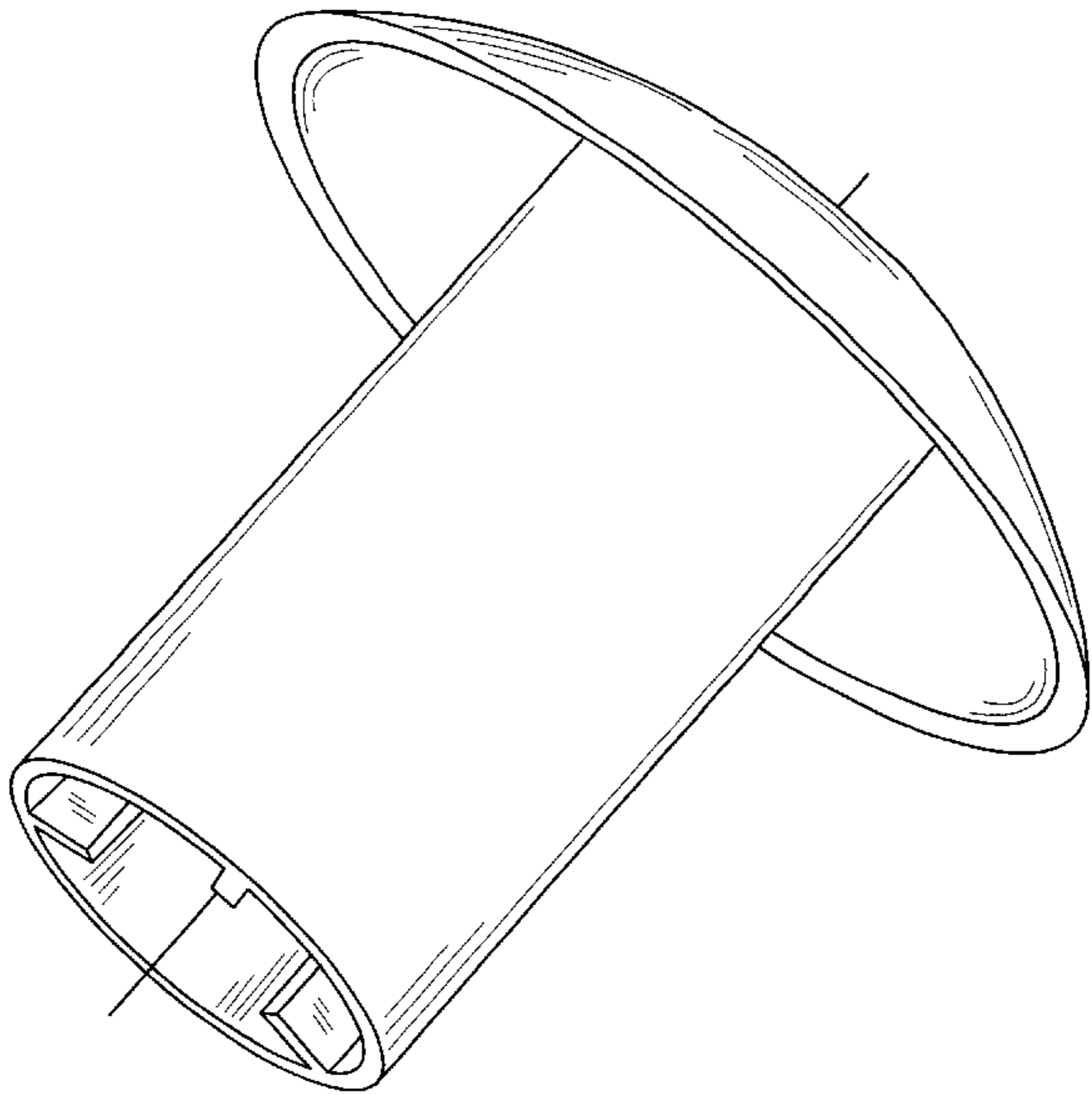
FIG. 2 is a bottom view thereof.

FIG. 3 is a side view thereof, the opposite side being identical;

FIG. 4 is a section view taken along a center line of FIG. 1; and,

FIG. 5 is a top view thereof.

**1 Claim, 5 Drawing Sheets**



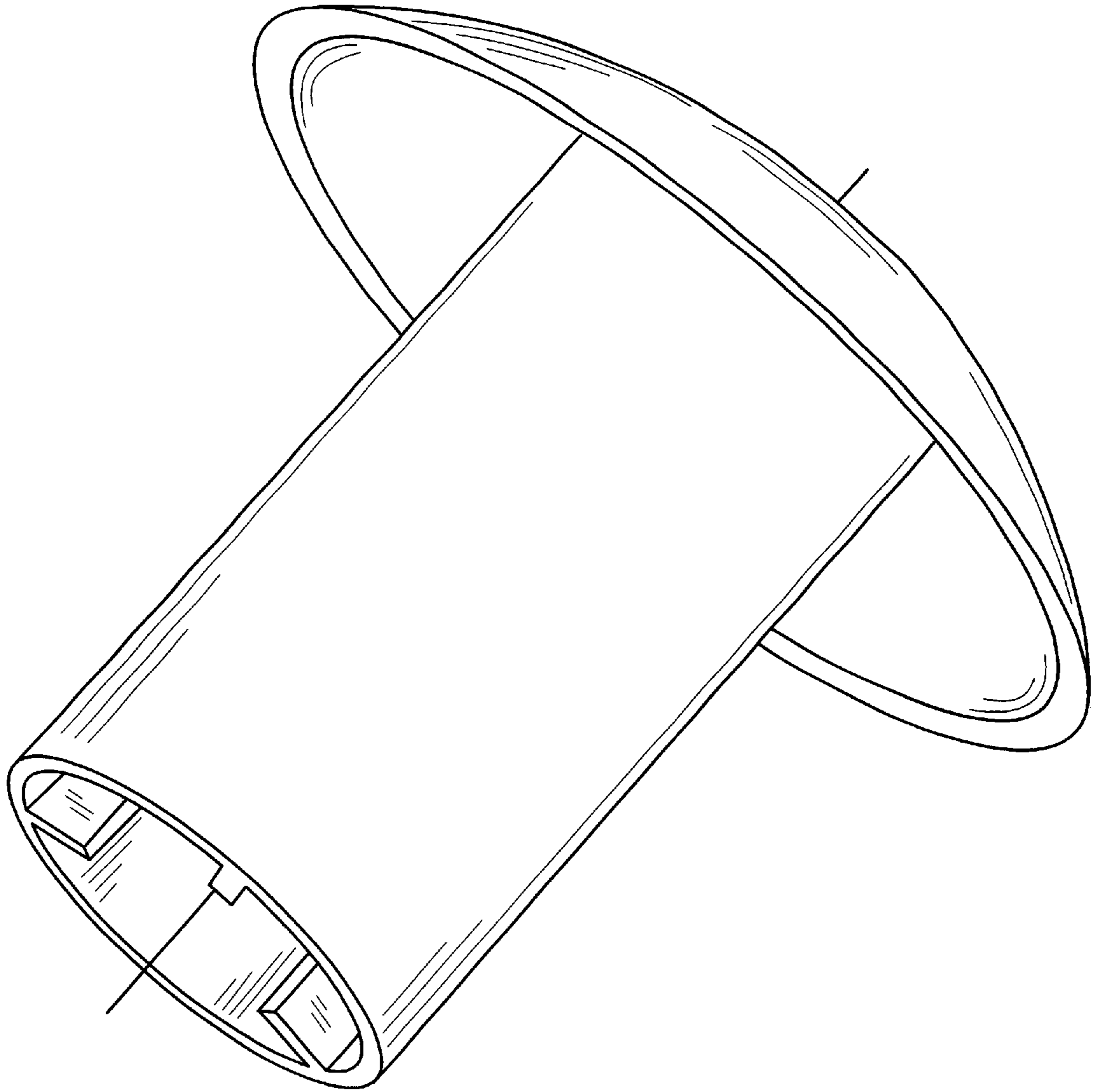


FIG. 1

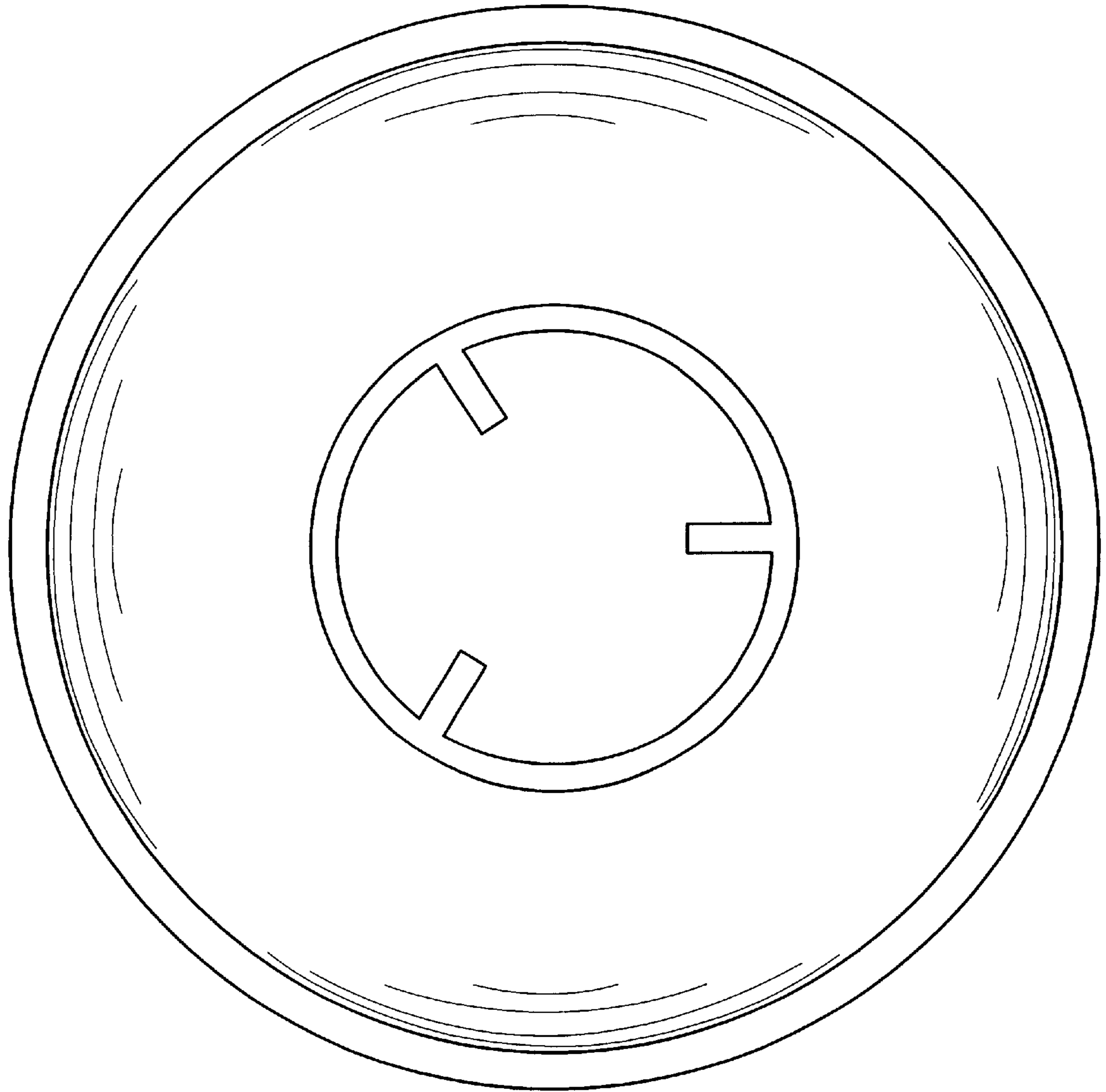


FIG. 2

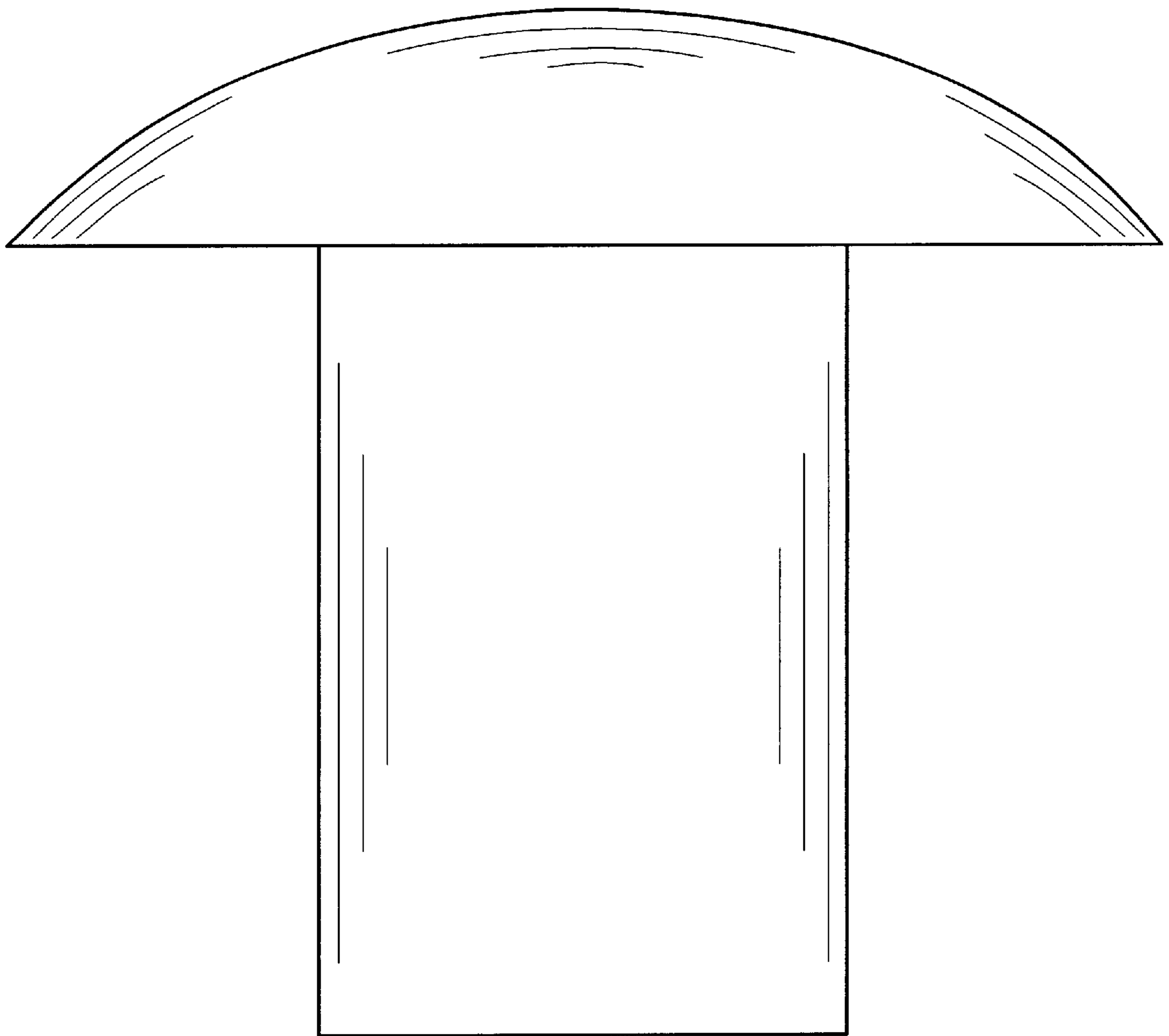


FIG. 3

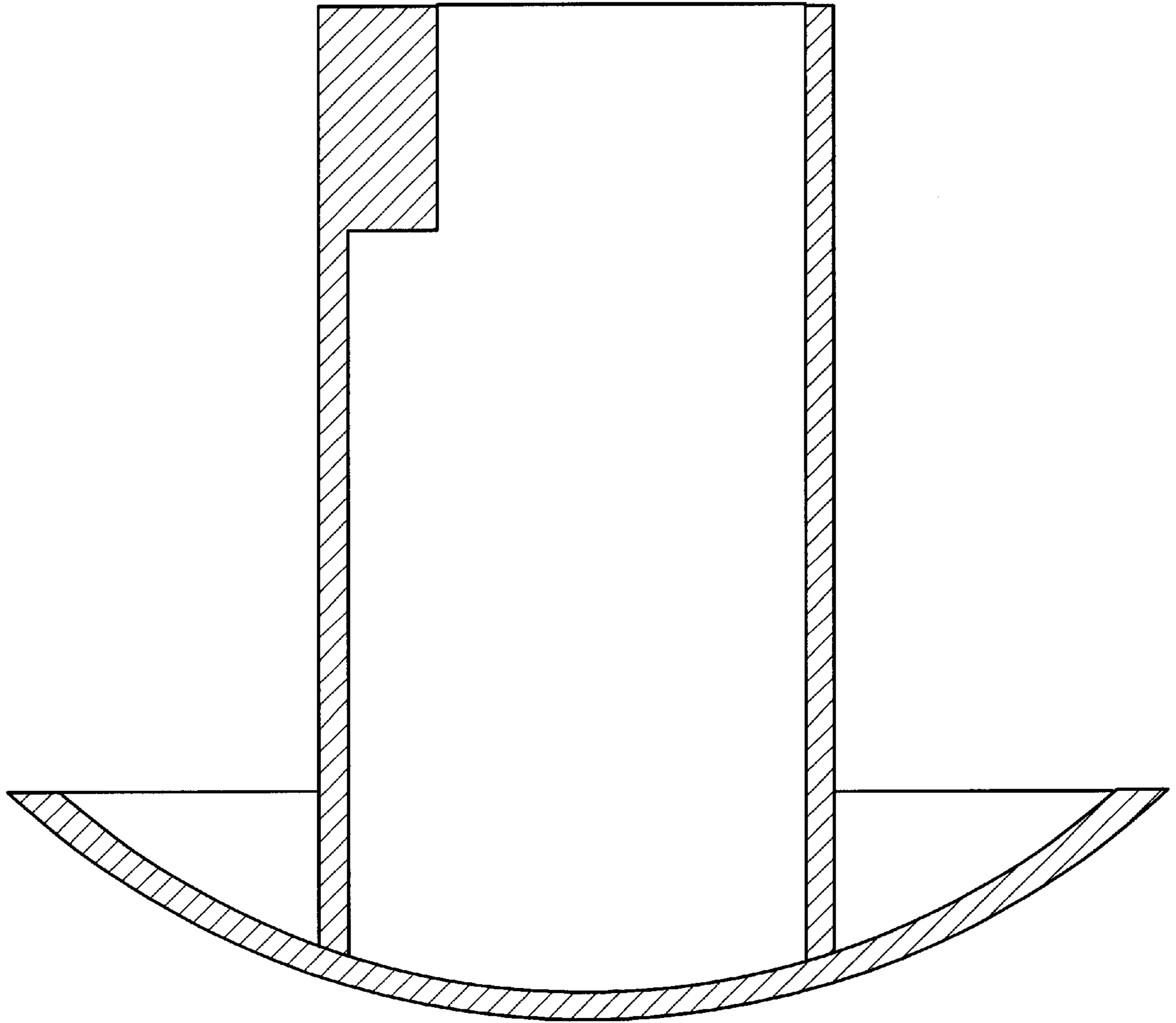


FIG. 4

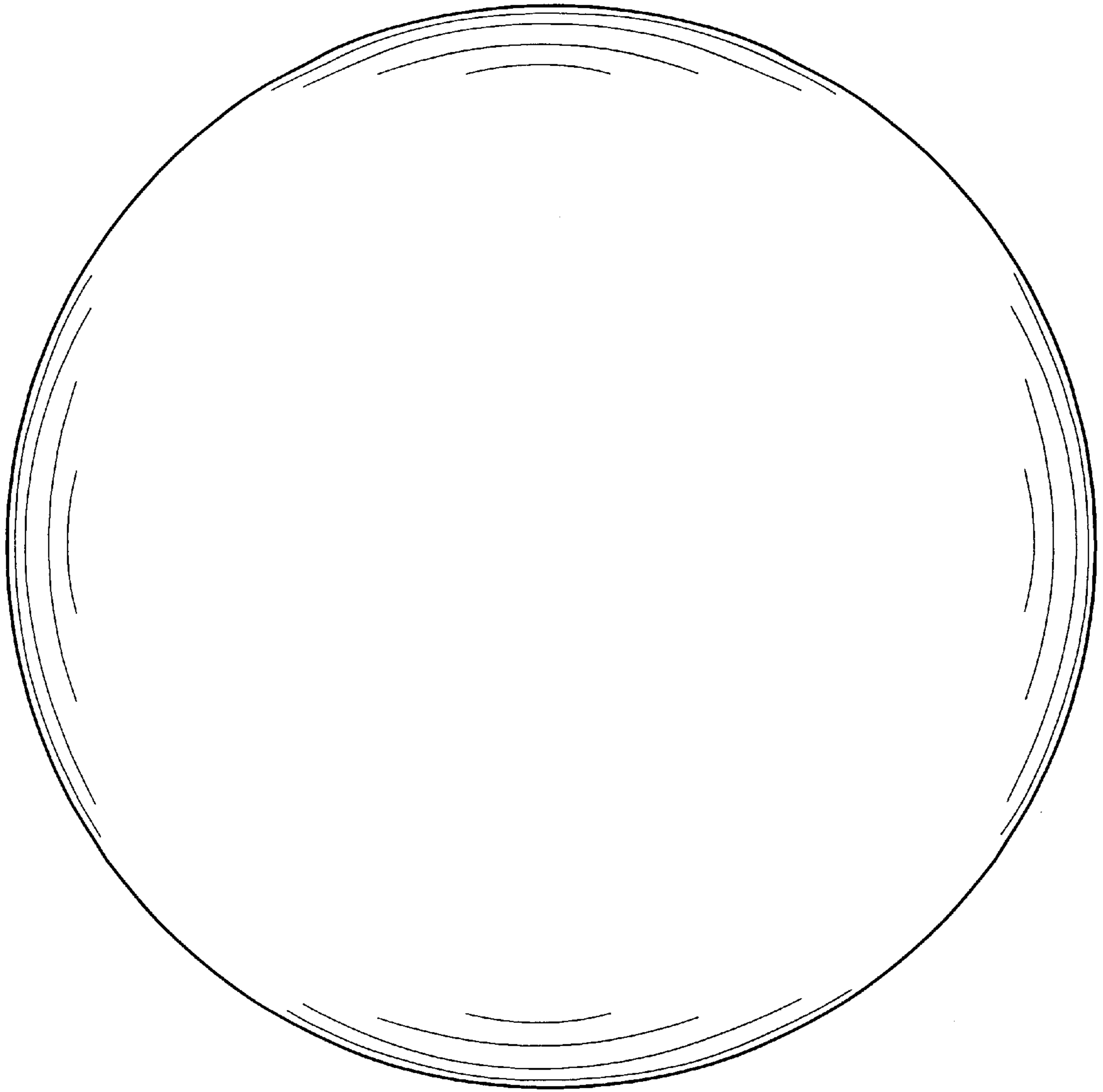


FIG. 5