



US00D447442B1

(12) **United States Design Patent**  
**Maruoka**

(10) **Patent No.:** **US D447,442 S**

(45) **Date of Patent:** **\*\* Sep. 4, 2001**

(54) **BUCKLE**

(75) Inventor: **Hiroyuki Maruoka, Yokohama (JP)**

(73) Assignee: **Nifco Inc.**

(\*\*) Term: **14 Years**

(21) Appl. No.: **29/127,611**

(22) Filed: **Aug. 10, 2000**

(30) **Foreign Application Priority Data**

Feb. 10, 2000 (JP) ..... 12-002204

(51) **LOC (7) Cl.** ..... **02-07**

(52) **U.S. Cl.** ..... **D11/218**

(58) **Field of Search** ..... D11/200, 201,  
D11/216, 218; 24/307, 310, 312, 313, 316,  
616, 200, 196, 315, 625

(56) **References Cited**

**U.S. PATENT DOCUMENTS**

D. 303,233	*	9/1989	Jang	.....	D11/216
D. 320,178	*	9/1991	Kasai	.....	D11/218
D. 340,886	*	11/1993	Anscher	.....	D11/218
D. 373,747	*	9/1996	Anscher	.....	D11/215
D. 386,125	*	11/1997	Anscher	.....	D11/218

\* cited by examiner

*Primary Examiner*—Ralf Seifert

(74) *Attorney, Agent, or Firm*—Kanesaka & Takeuchi

(57) **CLAIM**

The ornamental design for a buckle, as shown and described.

**DESCRIPTION**

FIG. 1 is a top plan view of a buckle showing my new design;

FIG. 2 is a front view thereof, the rear view thereof being symmetrical to the front view;

FIG. 3 is a left side view thereof;

FIG. 4 is a right side view thereof;

FIG. 5 is a bottom plan view thereof;

FIG. 6 is a cross sectional view taken along line 6—6 in FIG. 1;

FIG. 7 is a cross sectional view taken along line 7—7 in FIG. 1;

FIG. 8 is a cross sectional view taken along line 8—8 in FIG. 2;

FIG. 9 is a top plan view of a male member of the buckle shown separately for convenience of illustration;

FIG. 10 is a front view thereof, the rear view thereof being symmetrical to the front view;

FIG. 11 is a left side view thereof;

FIG. 12 is a right side view thereof;

FIG. 13 is a bottom plan view thereof;

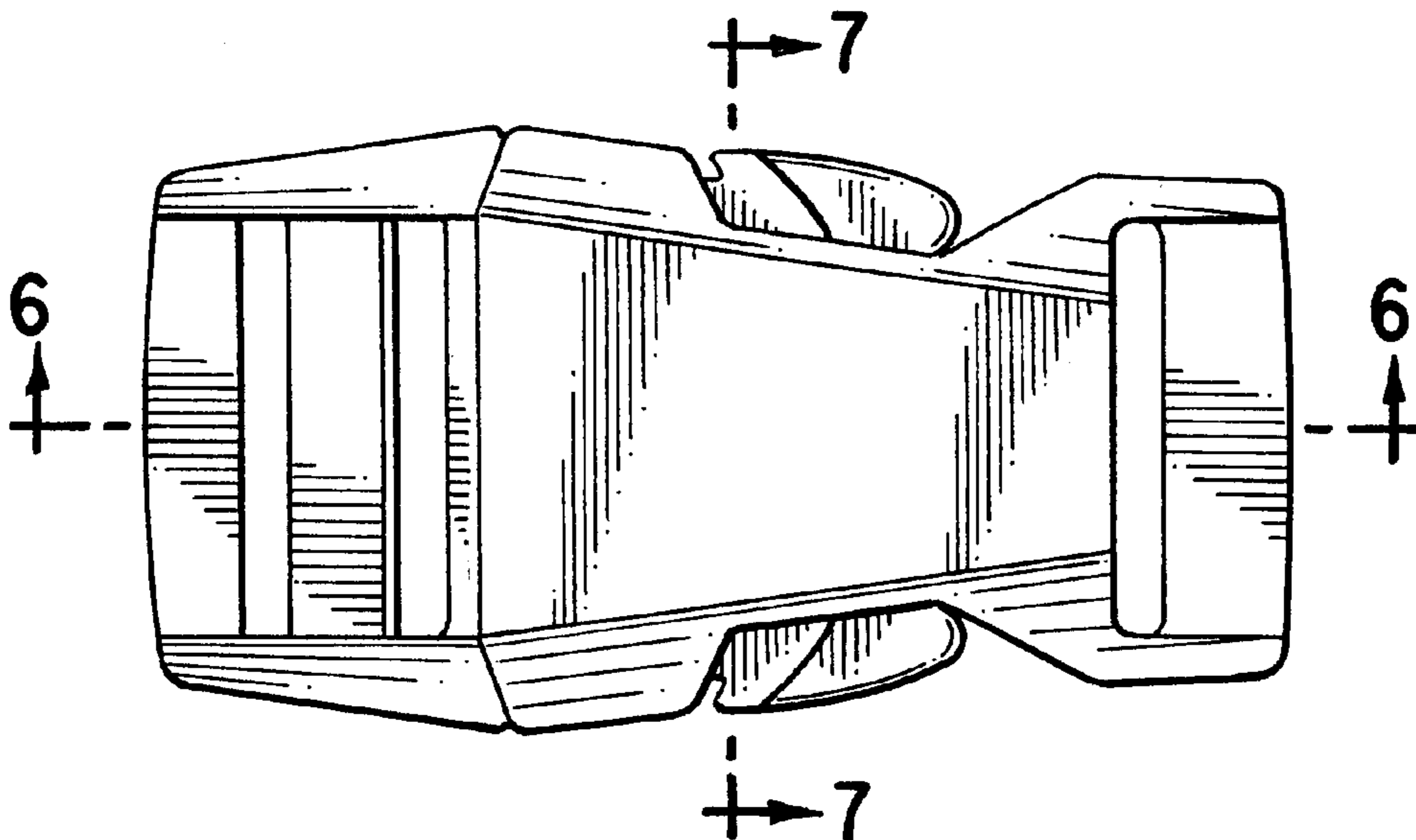
FIG. 14 is a top plan view of a female member of the buckle shown separately for convenience of illustration, the bottom plan view thereof being identical to the top plan view;

FIG. 15 is a front view thereof, the rear view thereof being symmetrical to the front view;

FIG. 16 is a left side view thereof; and,

FIG. 17 is a right side view thereof.

**1 Claim, 6 Drawing Sheets**



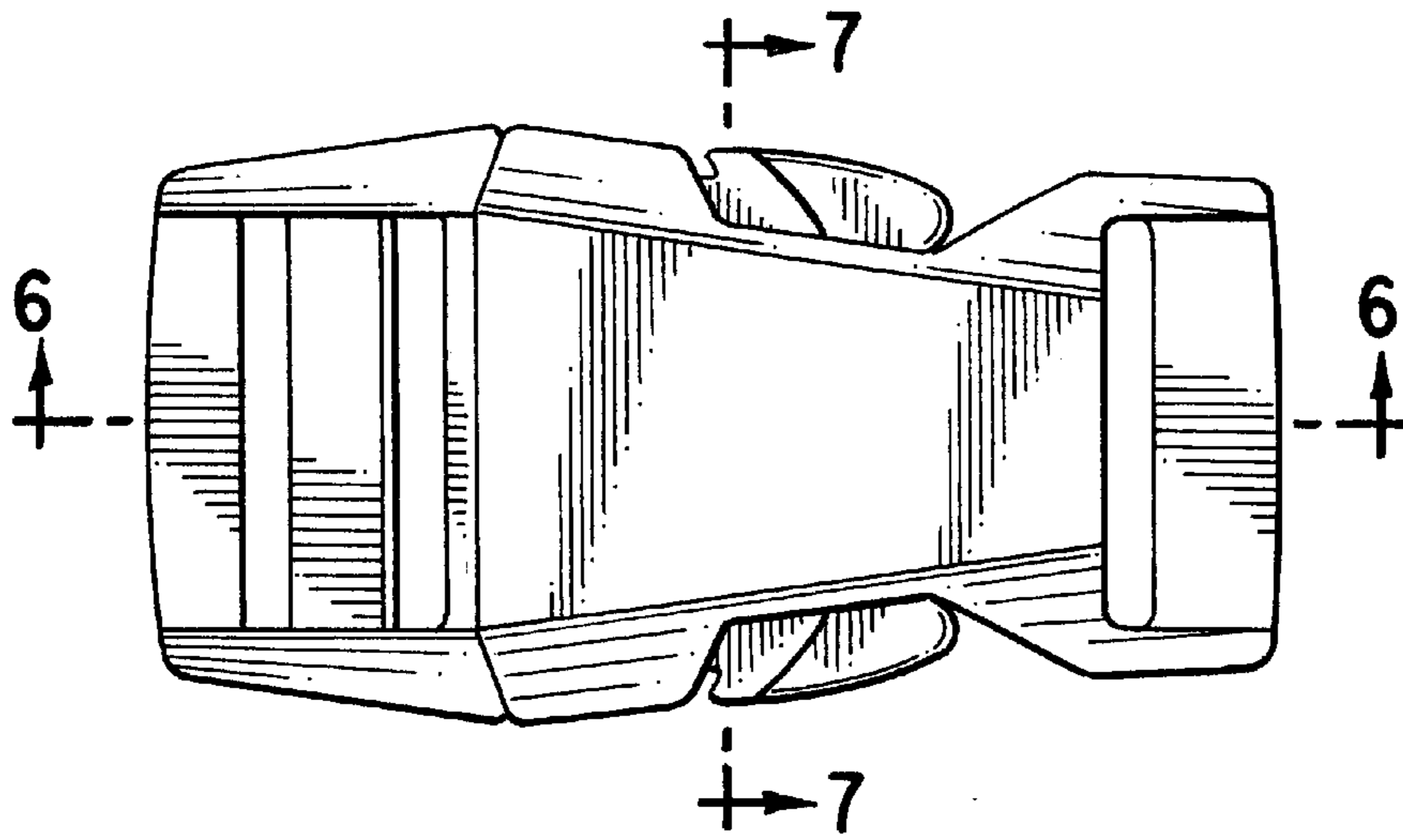


FIG. 1

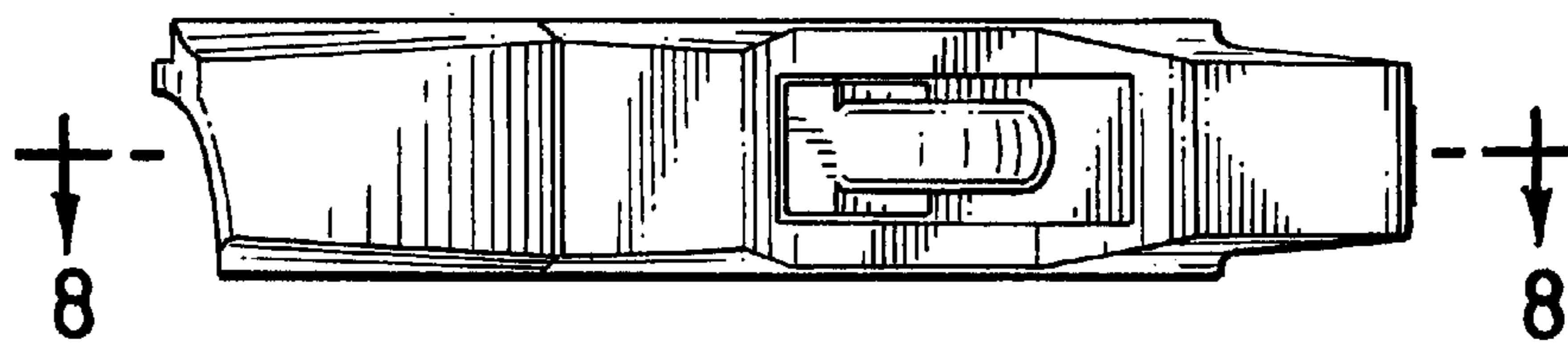


FIG. 2



FIG. 3

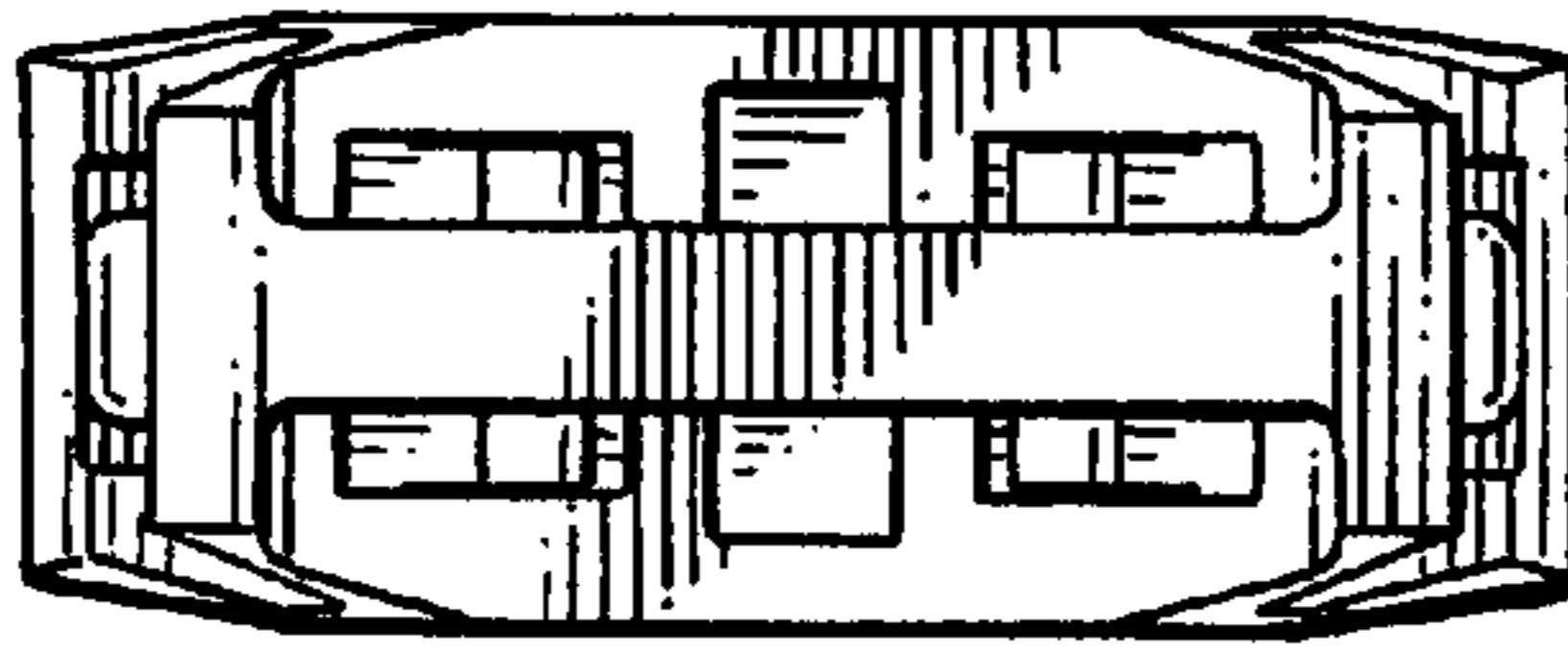


FIG. 4

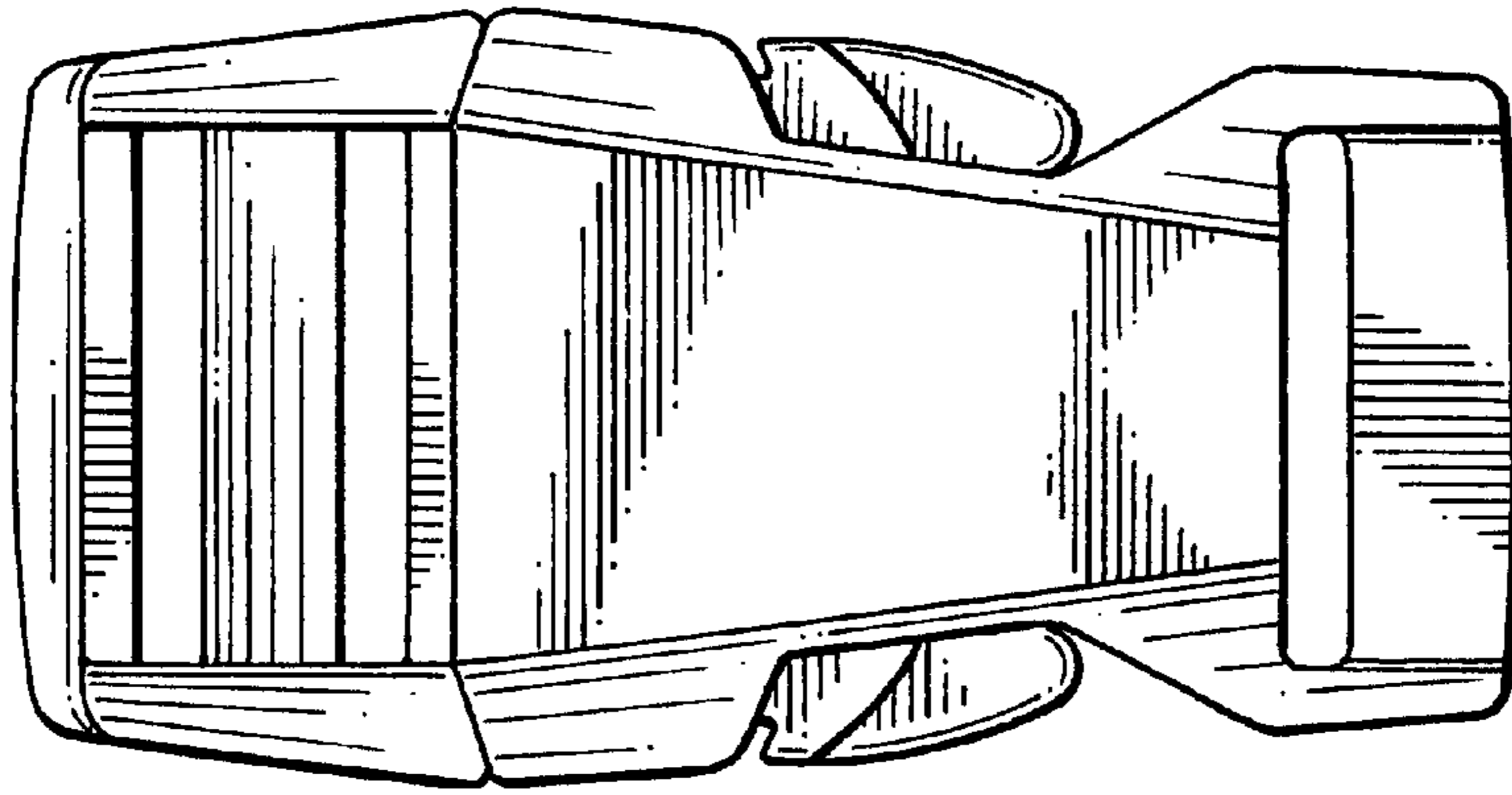


FIG. 5

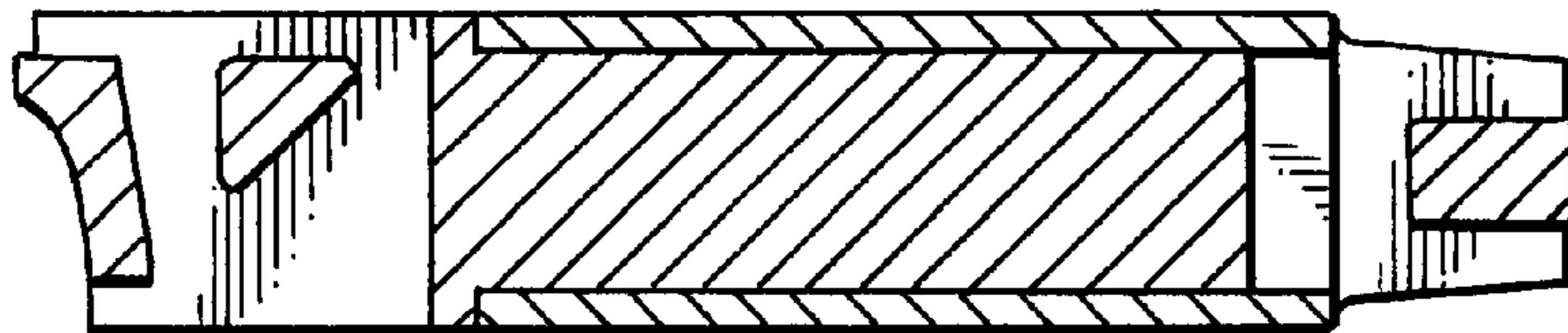


FIG. 6

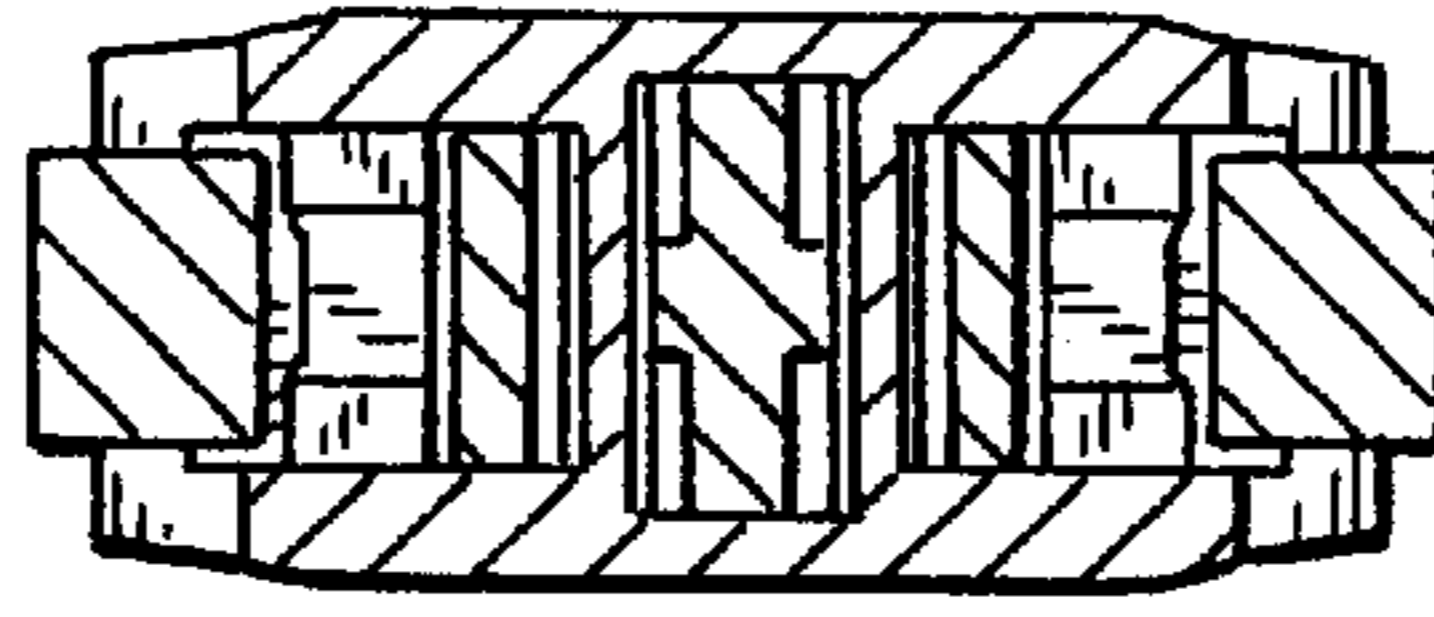


FIG. 7

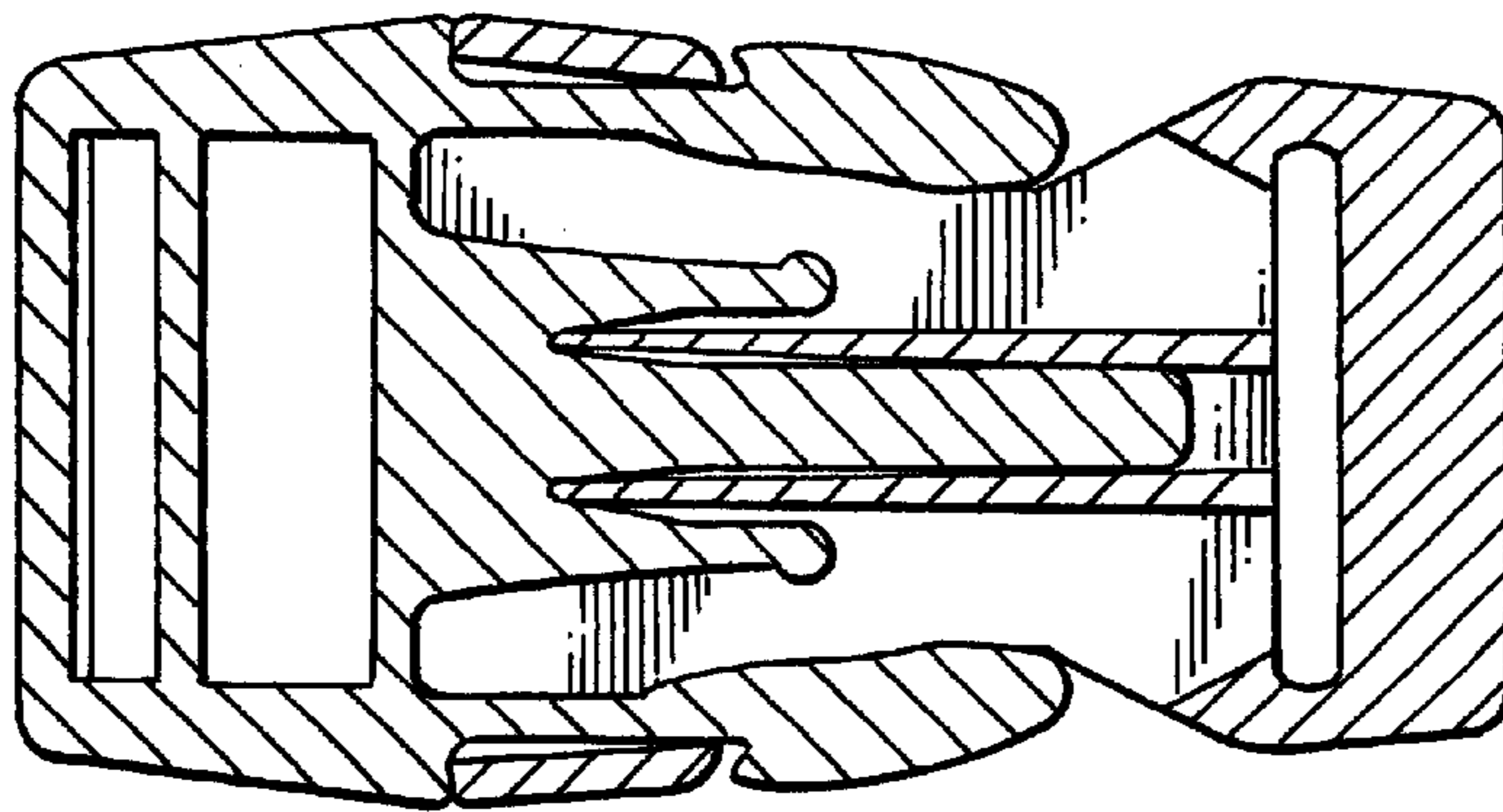


FIG. 8

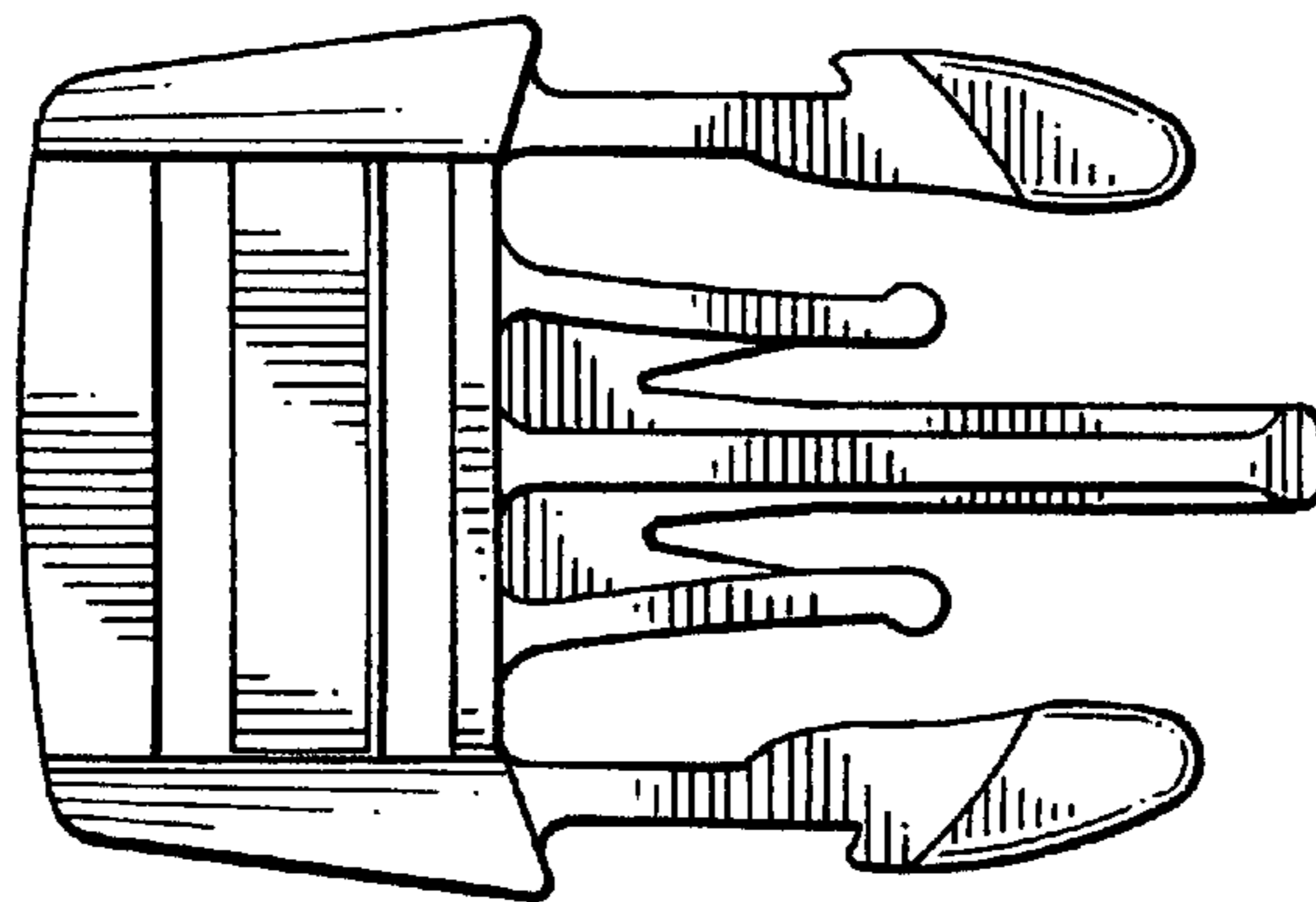


FIG. 9

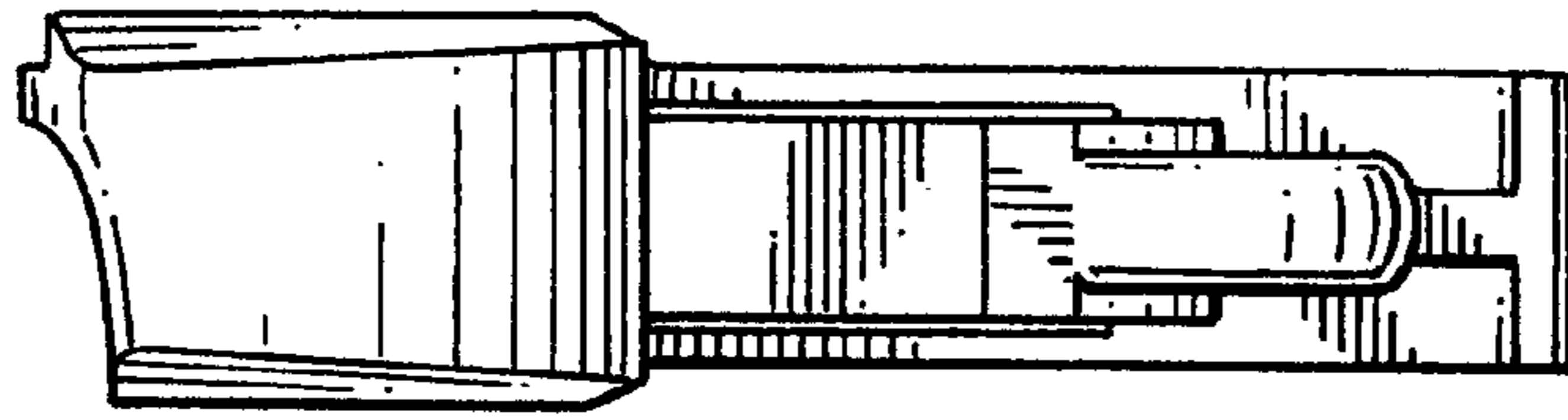


FIG. 10

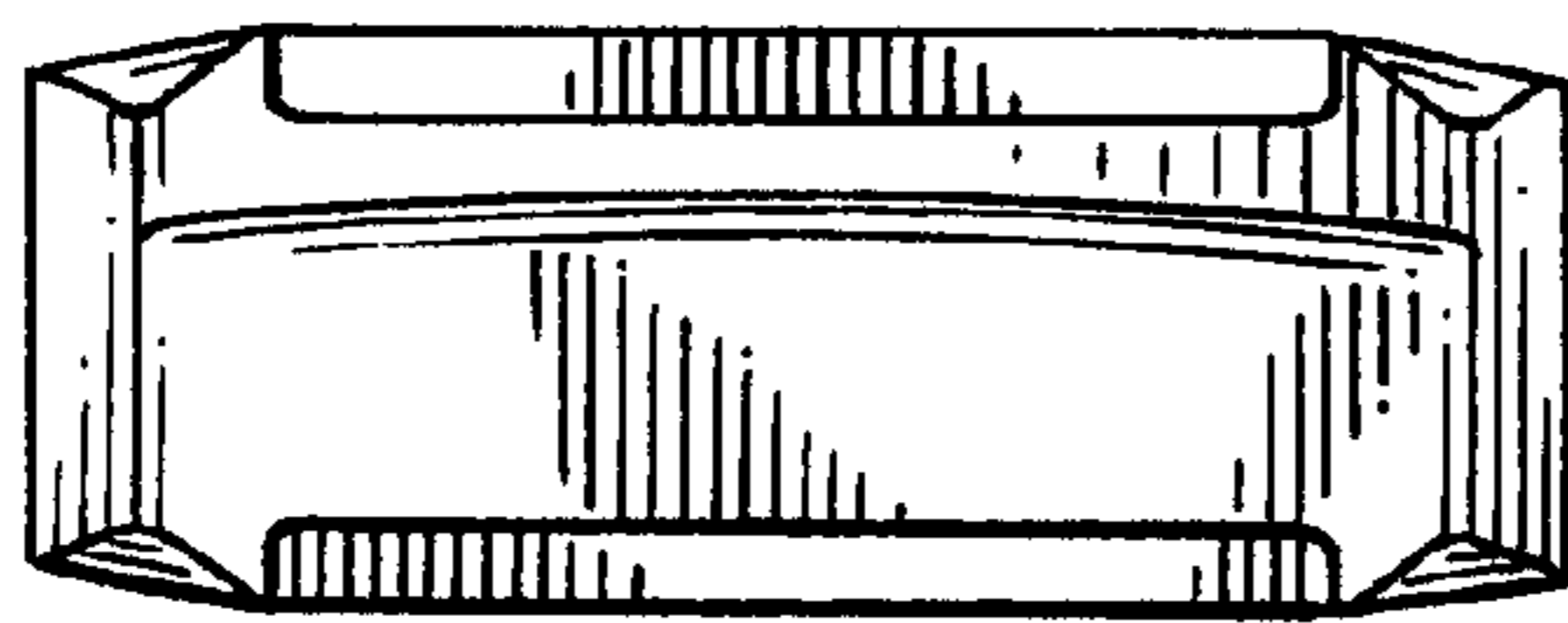


FIG. 11

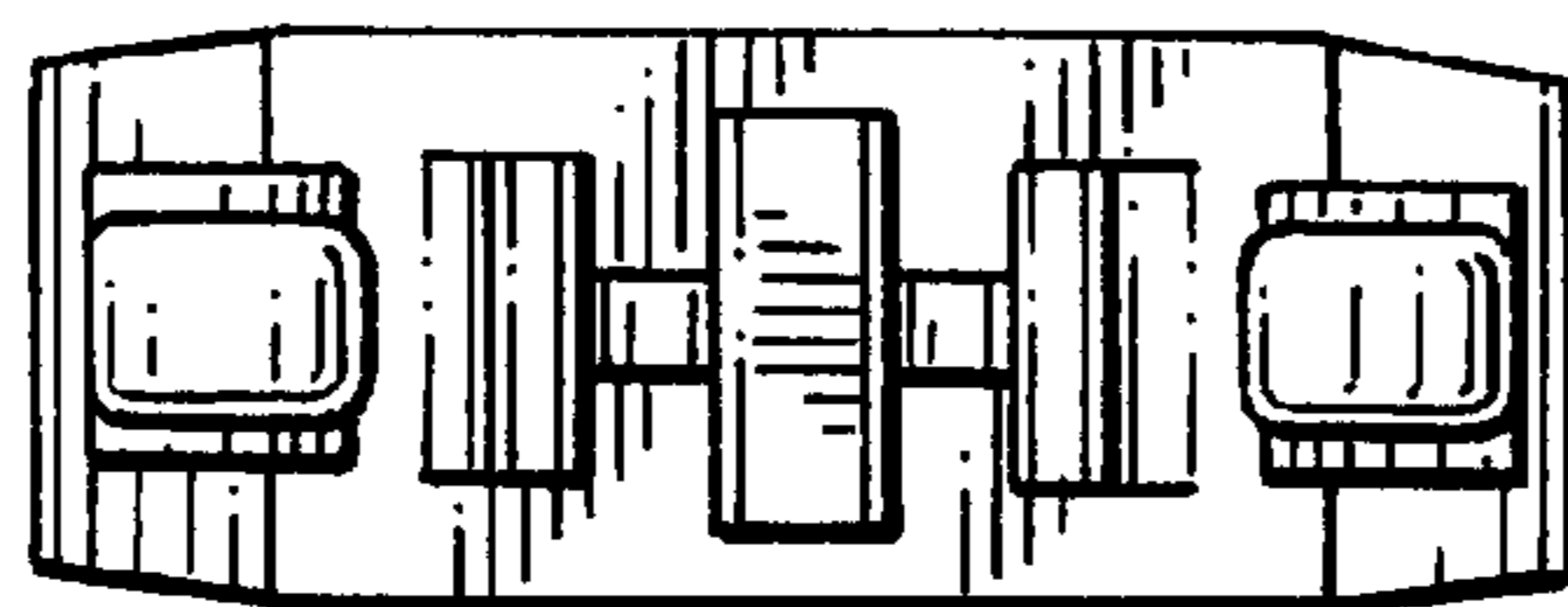


FIG. 12

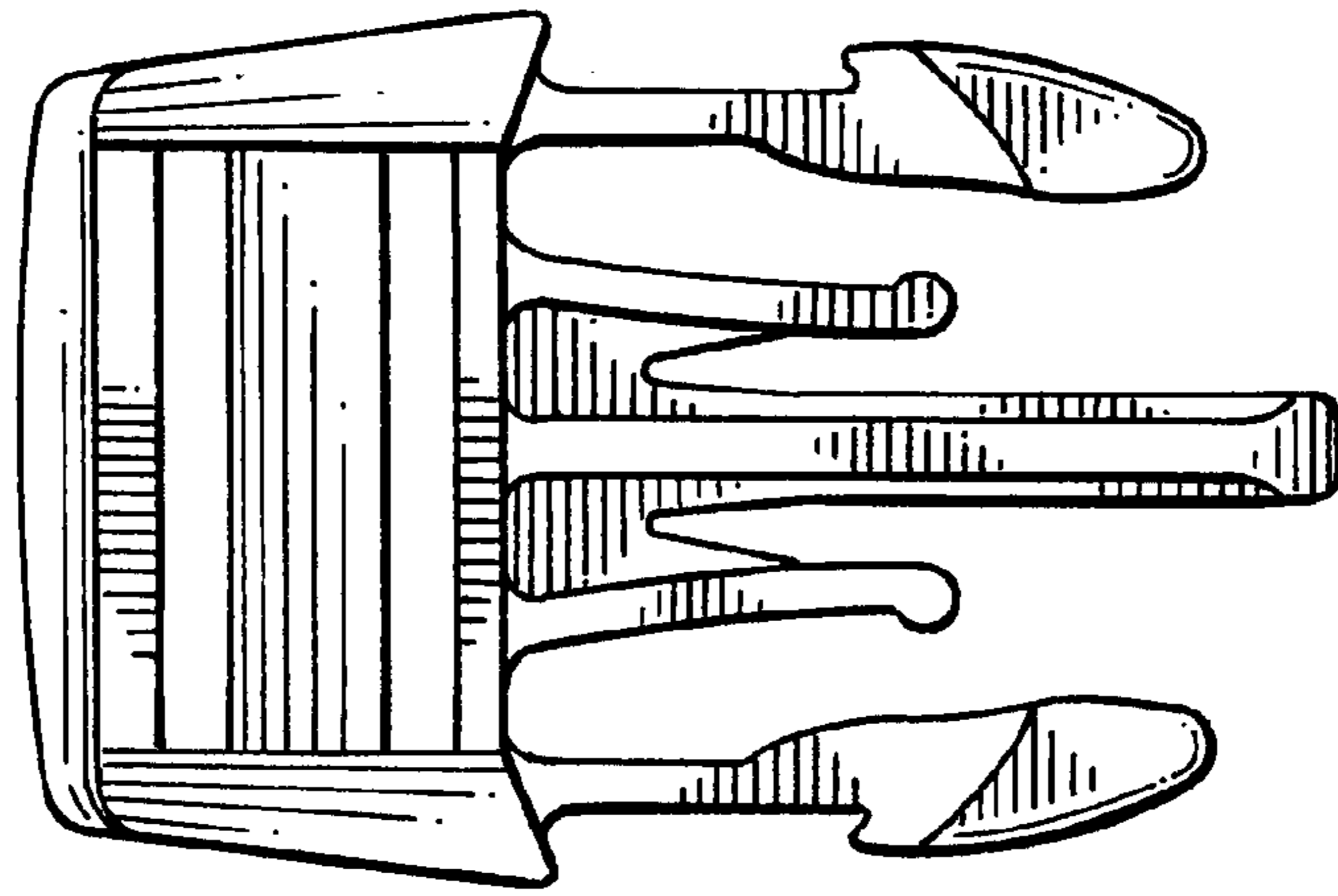


FIG. 13

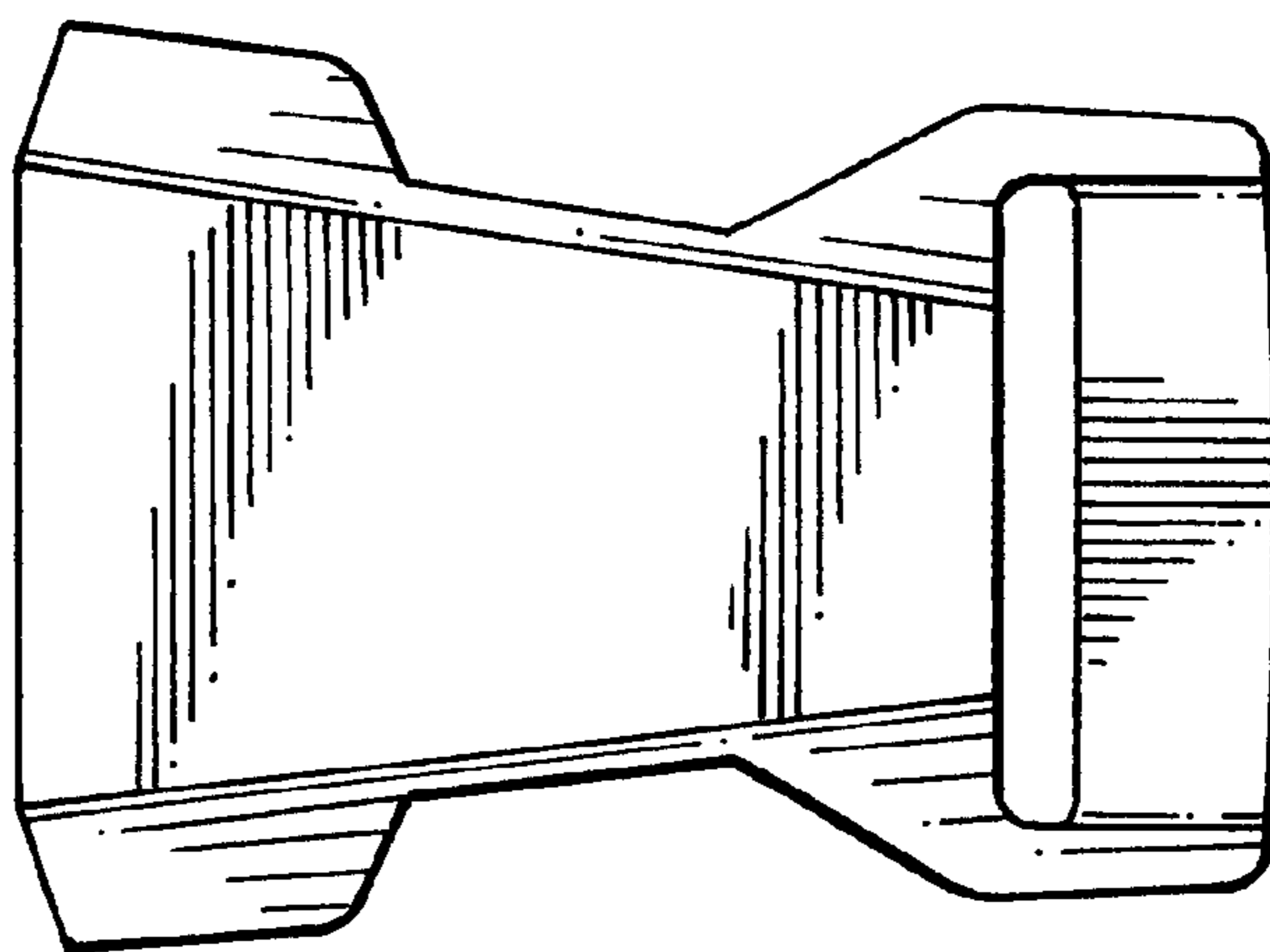


FIG. 14

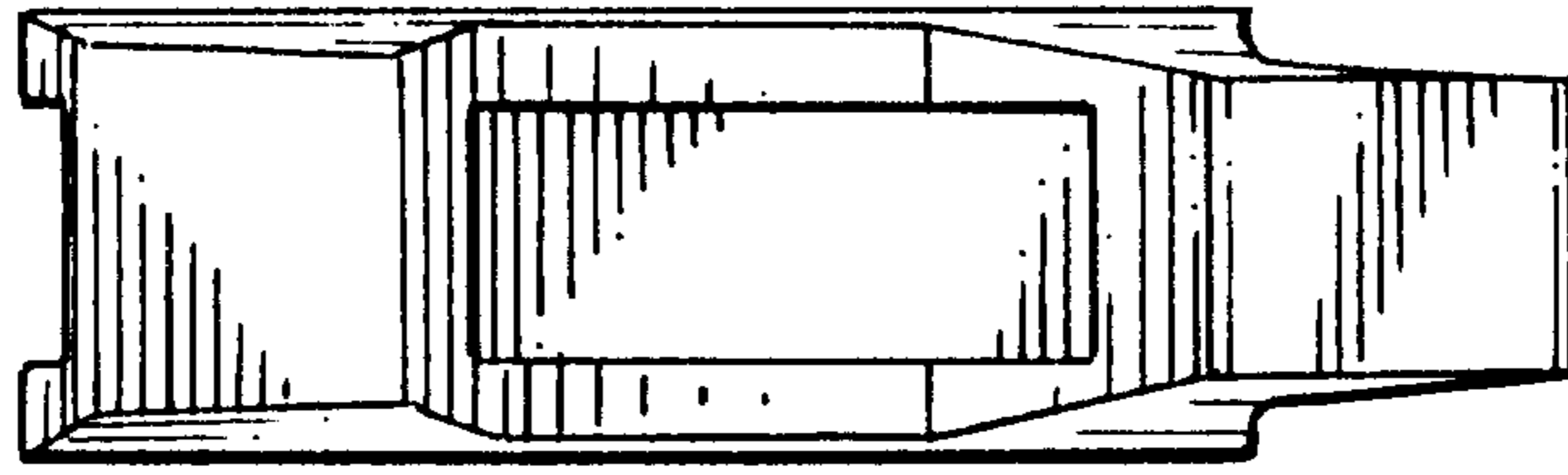


FIG. 15

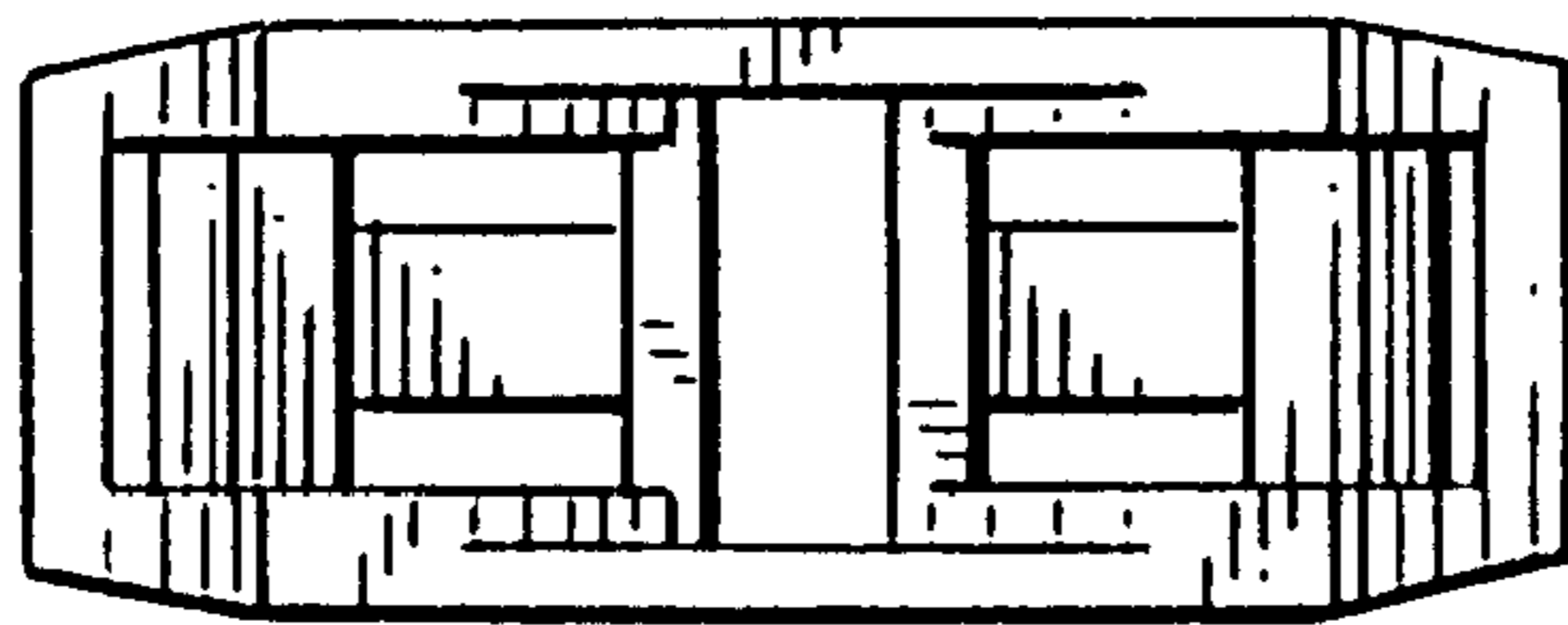


FIG. 16

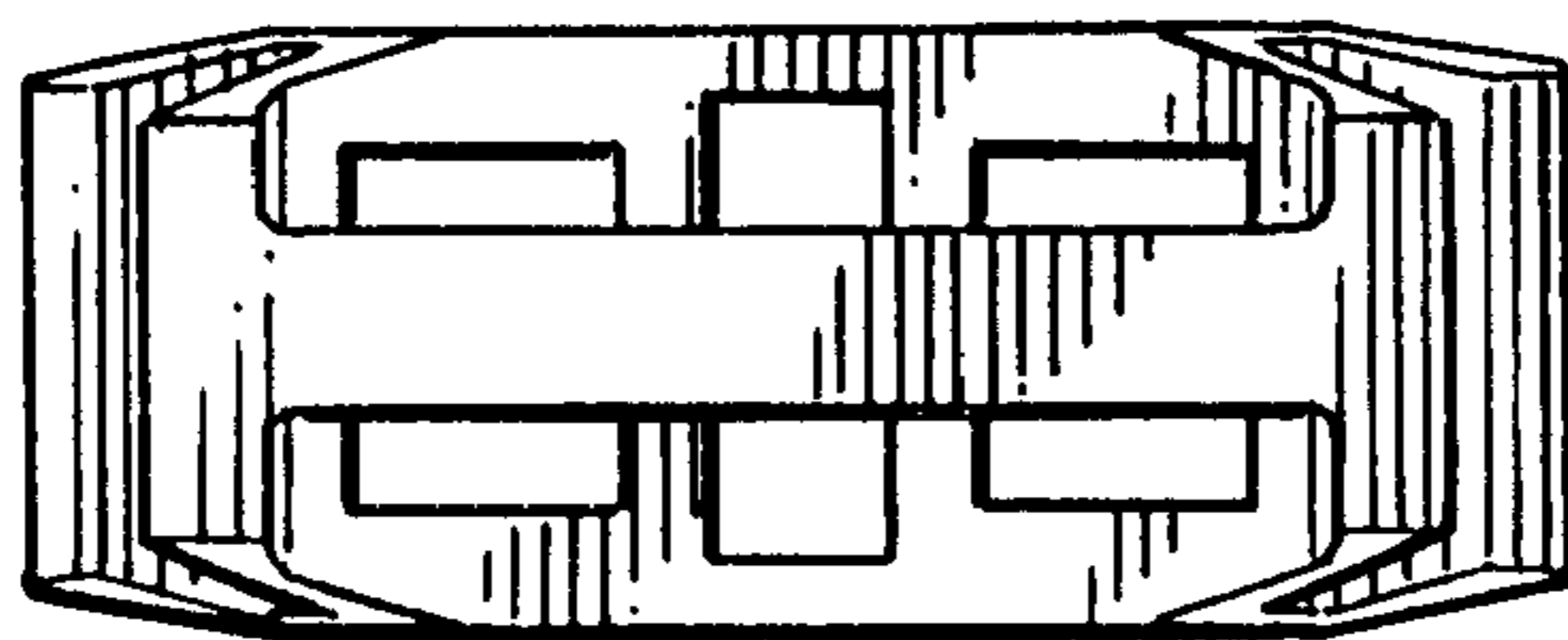


FIG. 17